



US00D893691S

(12) **United States Design Patent** (10) **Patent No.:** **US D893,691 S**
Graham et al. (45) **Date of Patent:** **** Aug. 18, 2020**

- (54) **COMPRESSED AIR DRYER**
- (71) Applicant: **Parker Hannifin EMEA S.à.r.l.**, Etoy (CH)
- (72) Inventors: **Michael Graham**, Cramlington (GB); **Stephen Stewart**, Morpeth (GB); **Dominic James Thompson**, Newcastle upon Tyne (GB); **Callum Russell Whitehead**, Stockton on Tees (GB)
- (73) Assignee: **Parker Hannifin EMEA S.A.R.L.**, Etoy (CH)
- (**) Term: **15 Years**
- (21) Appl. No.: **29/625,246**
- (22) Filed: **Nov. 8, 2017**
- (51) **LOC (12) Cl.** **23-04**
- (52) **U.S. Cl.**
USPC **D23/355**
- (58) **Field of Classification Search**
USPC D23/355-366, 352, 369, 332, 333, 335, D23/336, 342, 351; 422/120, 122; 55/356, 473, 504; 96/97; D14/188, 170, D14/172; 261/DIG. 17, DIG. 65, 261/DIG. 88, DIG. 31; D18/34.6; 392/379, 380, 382
CPC B01D 53/261; B01D 53/265; B01D 53/26; B01D 2257/80; B60T 17/004
See application file for complete search history.

D381,031 S *	7/1997	Miyata	D16/131
D401,976 S *	12/1998	Wong	D21/483
D417,880 S *	12/1999	Wani	D16/131
D419,168 S *	1/2000	Franks	D16/131
D420,028 S *	2/2000	Wani	D16/131
D425,921 S *	5/2000	Holbl	D16/131
D428,030 S *	7/2000	Konno	D16/131
D436,972 S *	1/2001	Tai	D16/131
D444,159 S *	6/2001	Hoelbl	D16/131
D457,901 S *	5/2002	Lo	D16/131
D503,945 S *	4/2005	Kung	D16/131
D592,689 S *	5/2009	Dunn	D16/131
D601,178 S *	9/2009	Apotheloz	D16/131
D633,539 S *	3/2011	Kung	D16/131
D638,046 S *	5/2011	Noda	D16/131
D681,087 S *	4/2013	Kung	D16/131
D743,463 S *	11/2015	Hofmann	D16/131
D771,169 S *	11/2016	Weber	D16/131
D784,433 S *	4/2017	Weber	D16/131
2013/0341316 A1 *	12/2013	Perez	A47K 10/48 219/220

* cited by examiner

Primary Examiner — Nathan M Johnston
(74) Attorney, Agent, or Firm — Christopher H. Hunter

(57) **CLAIM**

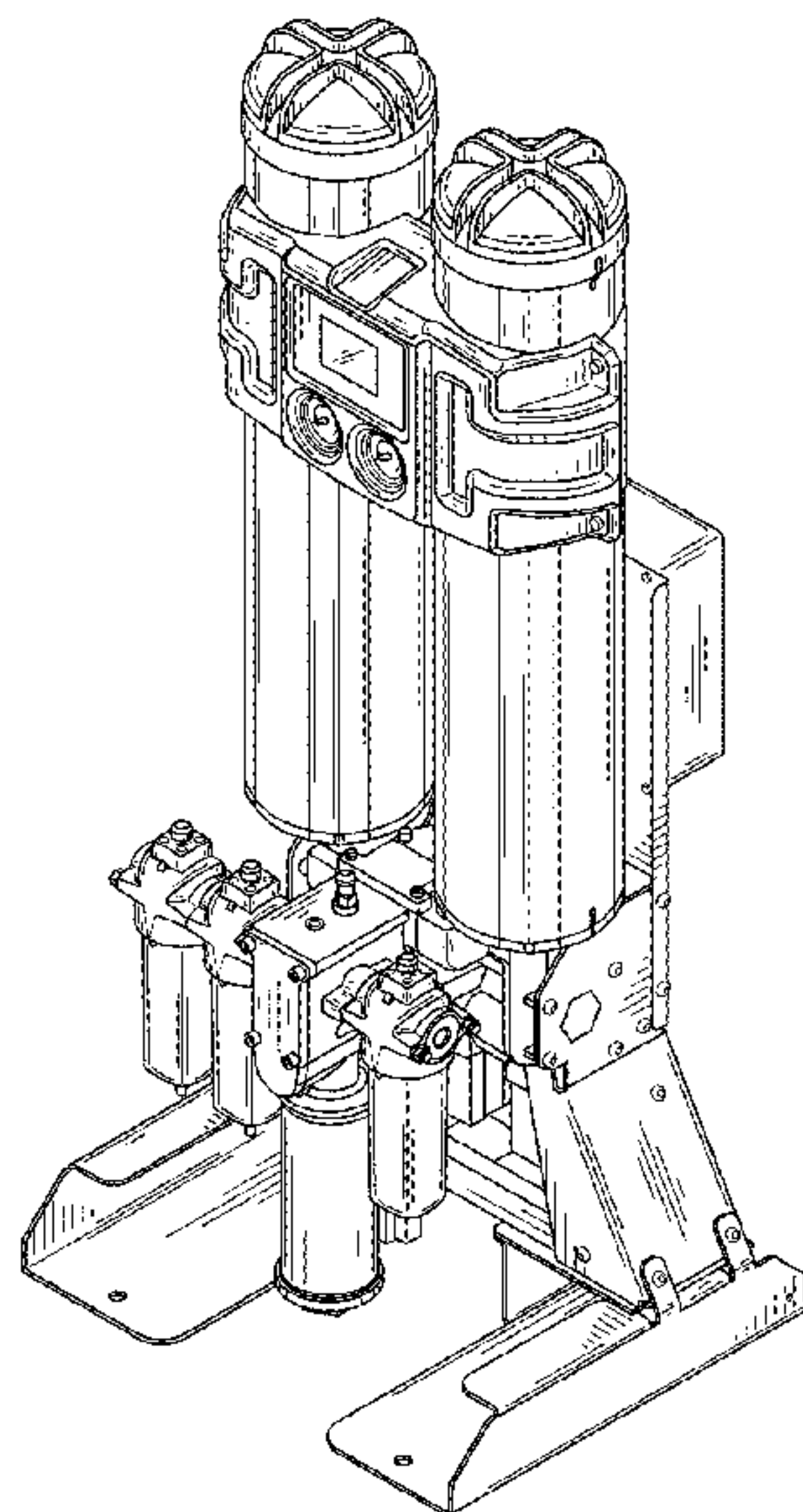
The ornamental design for a compressed air dryer, as shown and described.

DESCRIPTION

FIG. 1. Is a perspective view of a compressed air dryer showing our new design.
FIG. 2 is a front view thereof.
FIG. 3 is a rear view thereof.
FIG. 4 is a right side view thereof.
FIG. 5 is a left side view thereof.
FIG. 6 is a top view thereof; and,
FIG. 7 is a bottom view thereof.
The broken lines show portions of the design that form no part of the claimed design.

1 Claim, 6 Drawing Sheets

- (56) **References Cited**
U.S. PATENT DOCUMENTS
D290,129 S * 6/1987 Kahute D16/131
D301,586 S * 6/1989 Brock D16/131
D301,587 S * 6/1989 Brock D16/131
D330,719 S * 11/1992 Ishibashi D16/131
D339,148 S * 9/1993 Omi D16/131
D354,761 S * 1/1995 Komatsuzaki D16/131



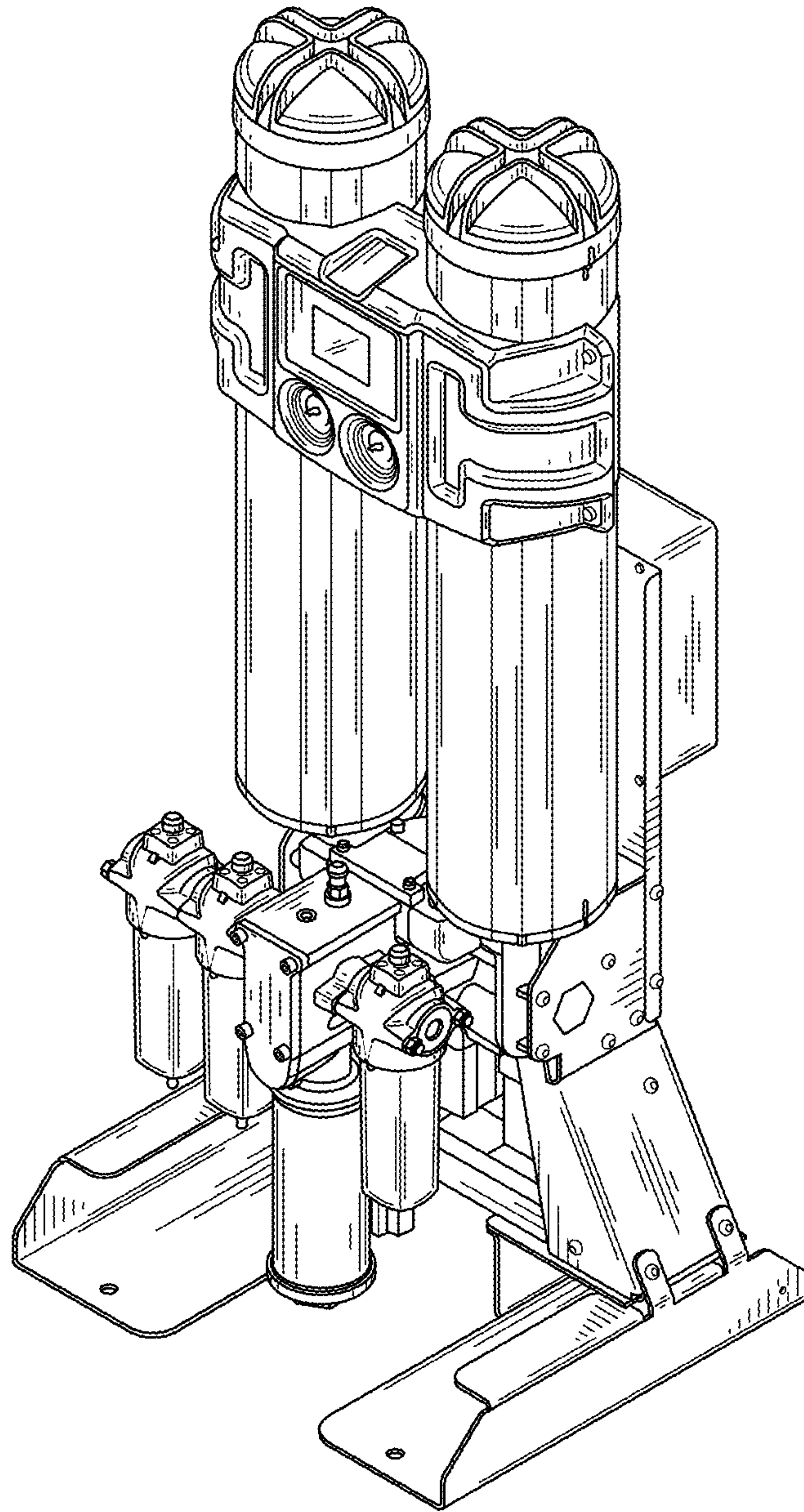


FIG. 1

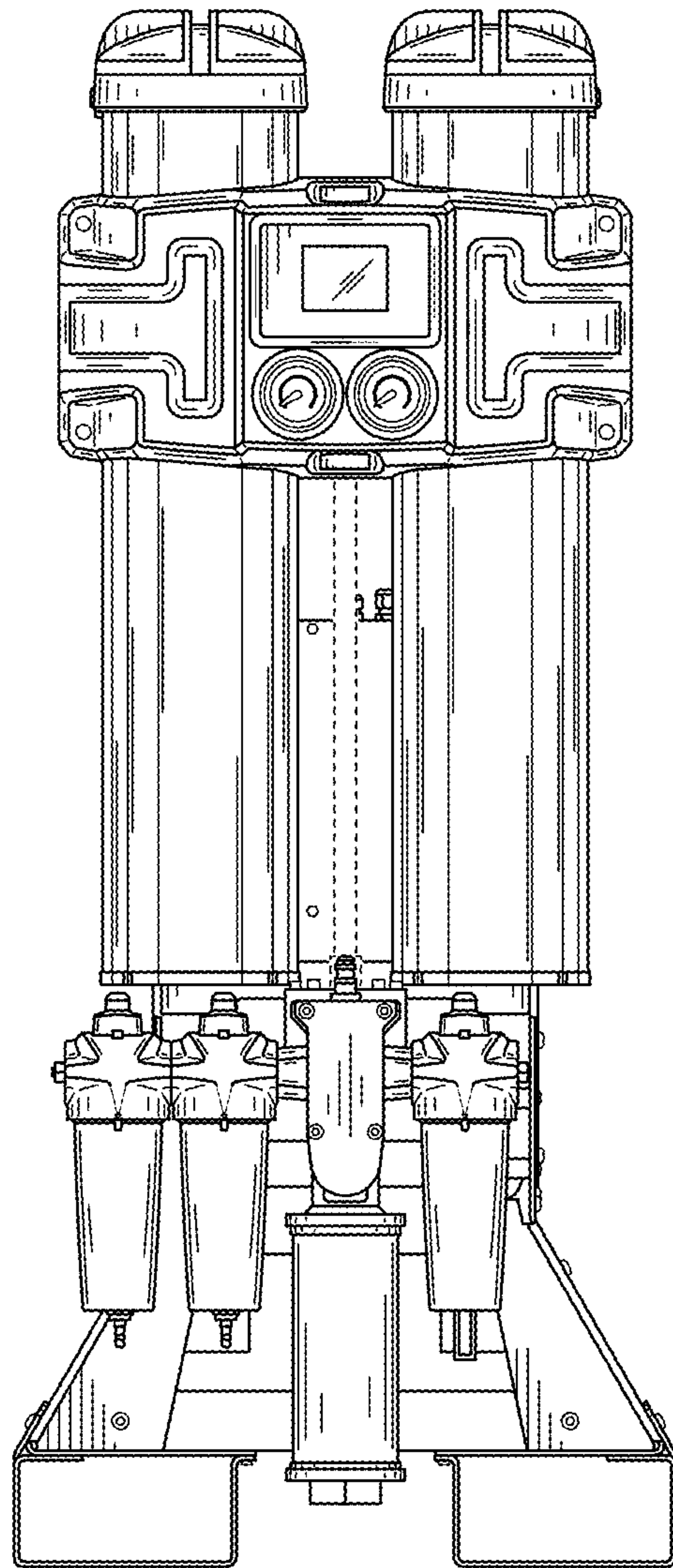


FIG. 2

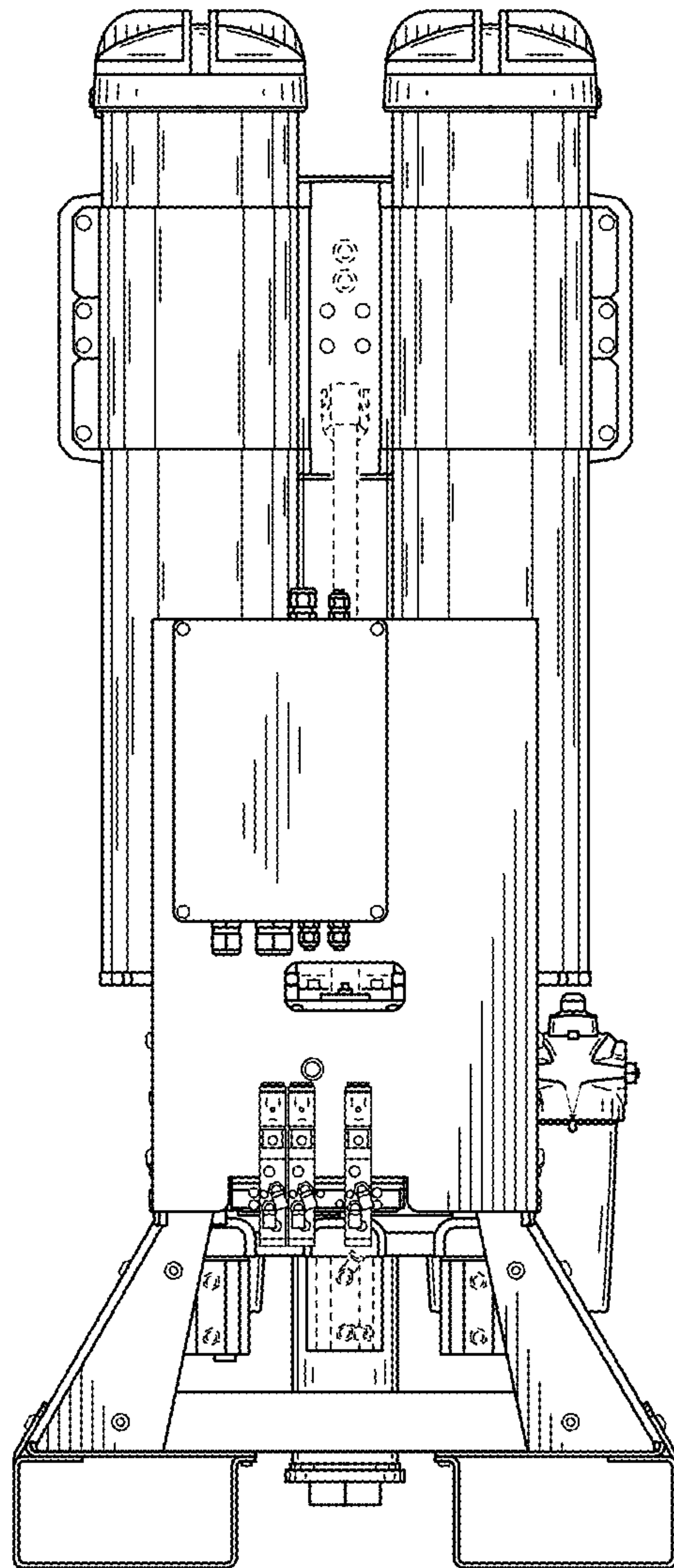


FIG. 3

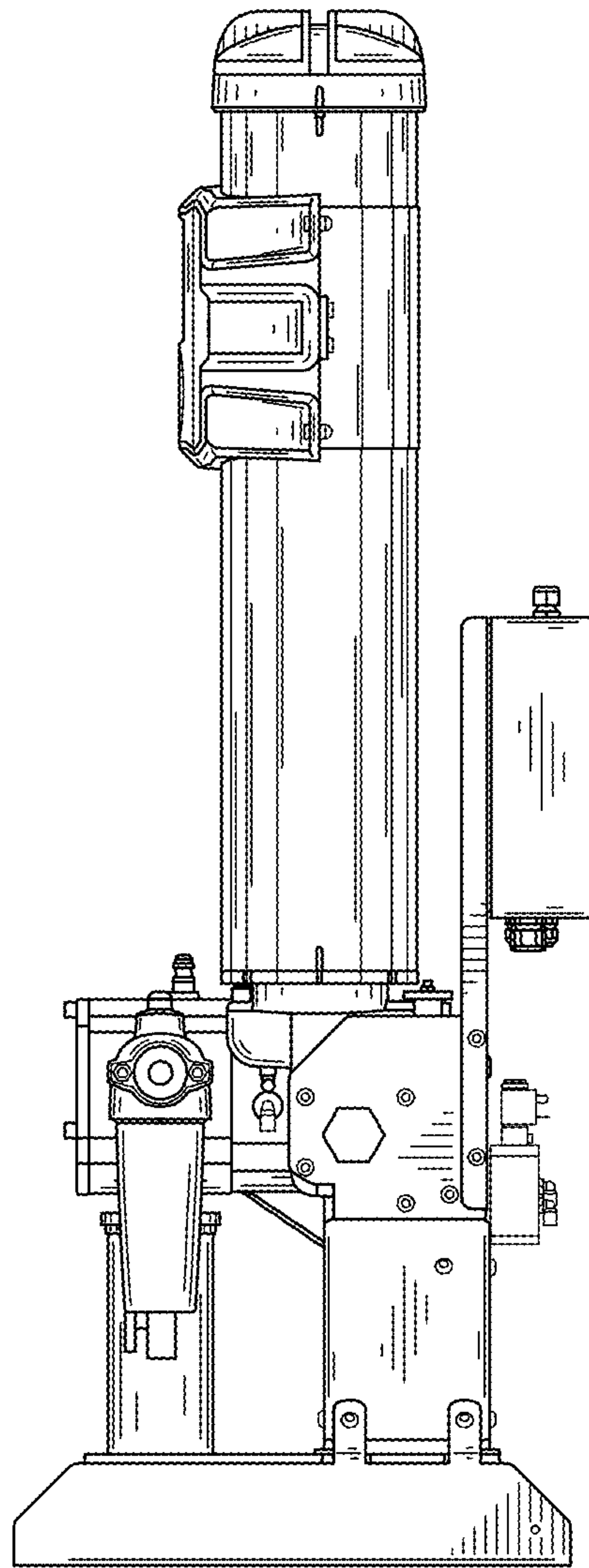


FIG. 4

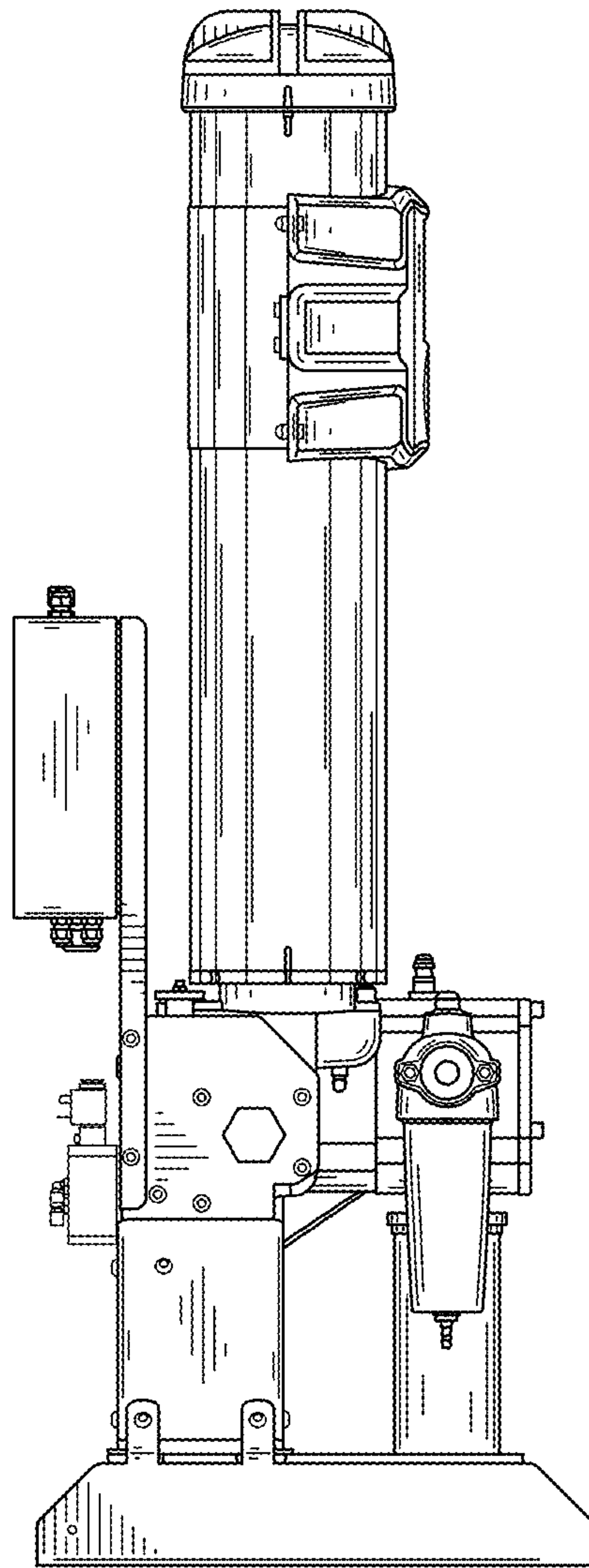


FIG. 5

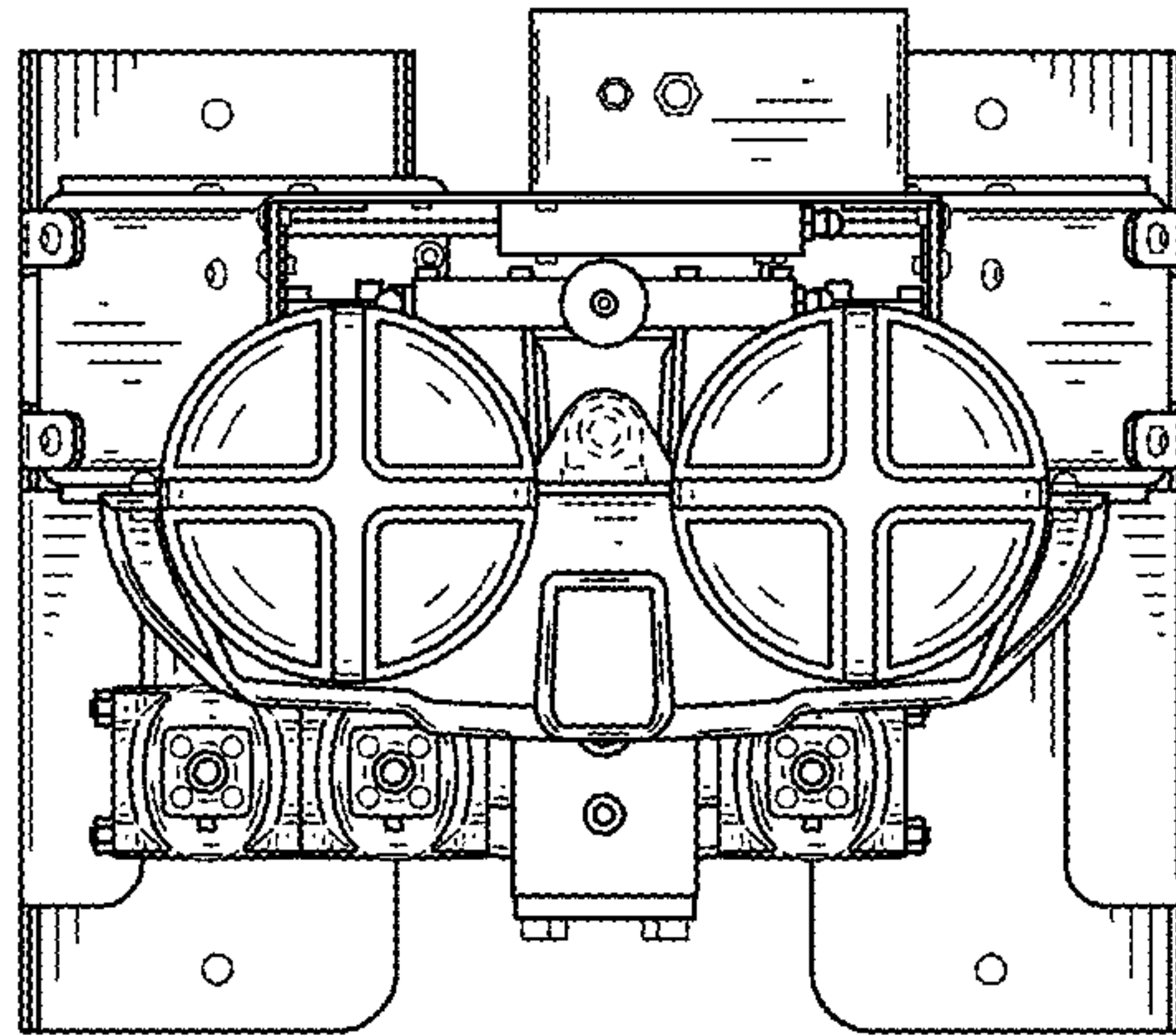


FIG. 6

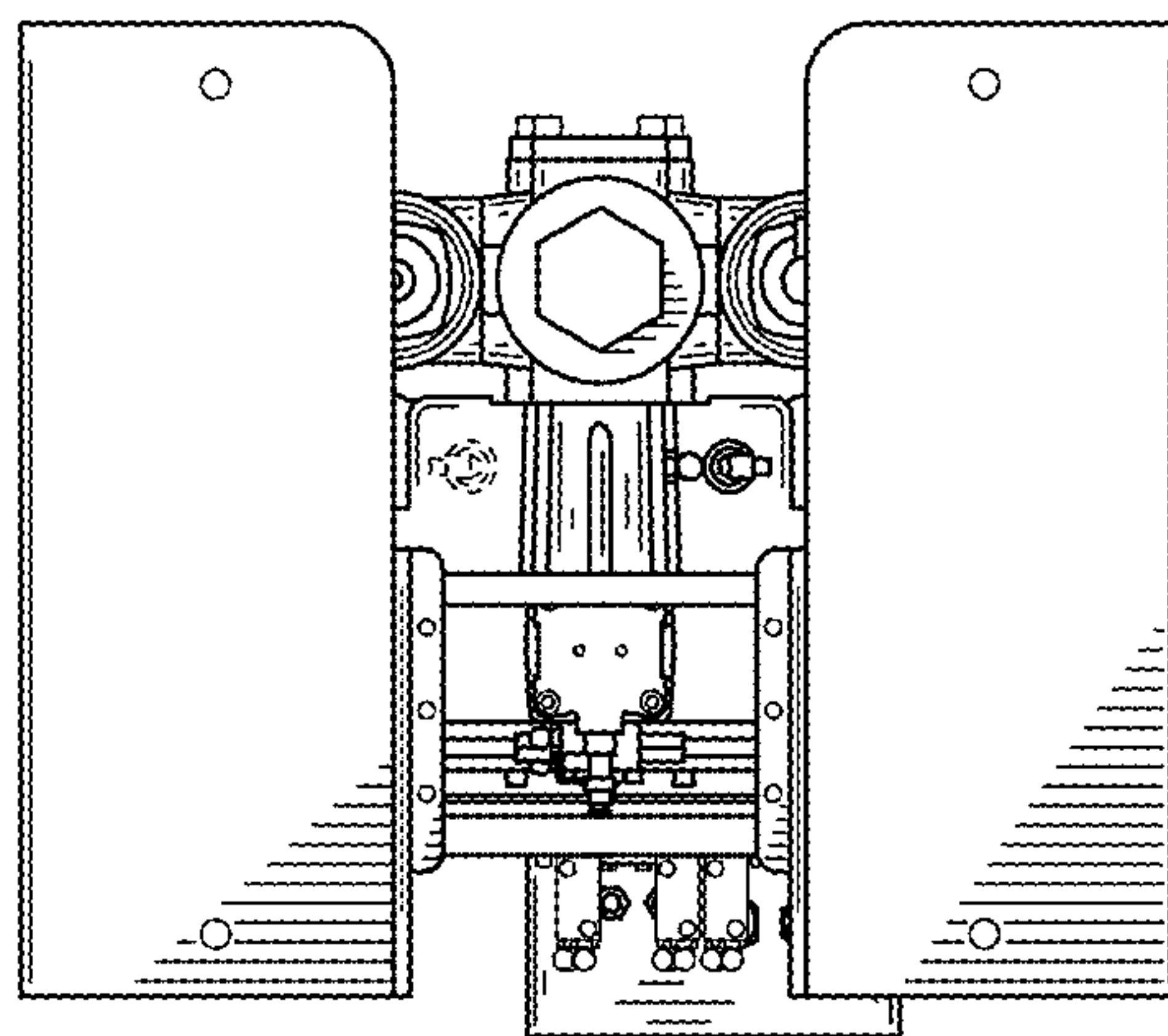


FIG. 7