



US00D893690S

(12) **United States Design Patent** (10) **Patent No.:** **US D893,690 S**
Qi (45) **Date of Patent:** **** Aug. 18, 2020**

(54) **HEATER**
(71) Applicant: **Ningbo Youming Electrical Appliance Co., Ltd.**, Ningbo, Zhejiang (CN)
(72) Inventor: **Wenguo Qi**, Ningbo (CN)
(73) Assignee: **NINGBO YOUMING ELECTRICAL APPLIANCE CO., LTD.**, Zhejiang (CN)
(**) Term: **15 Years**
(21) Appl. No.: **29/684,135**
(22) Filed: **Mar. 19, 2019**

D824,365 S * 7/2018 Vogt, Jr. D14/214
D868,228 S * 11/2019 Schmitt D23/329
10,481,646 B2 * 11/2019 Wu G06F 1/181
D878,532 S * 3/2020 Shin D23/364

OTHER PUBLICATIONS

MagicHeater, announced Nov. 15, 2019[online], [site visited Jun. 18, 2020]. Available from internet, URL:<https://www.amazon.com/MagicHeater-Infrared-Heater-Remote-Efficient/dp/B081K6SLFV/ref=sr_1_1?dchild=1&keywords=magicheater&qid=1592577722&s=home-garden&sr=1-1> (Year: 2019).
Infrared Room Space Heater, reviewed Sep. 26, 2018[online], [site visited Jun. 18, 2020]. Available from internet, URL:<https://www.amazon.com/Unique-Heat-Infrared-Illuminated-Lightweight/dp/B07815NKW4/ref=cm_cr_arp_d_product_top?ie=UTF8> (Year: 2018).*

(30) **Foreign Application Priority Data**

Sep. 21, 2018 (CN) 2018 3 0533314

(51) **LOC (12) Cl.** **23-03**

(52) **U.S. Cl.**
USPC **D23/335**

(58) **Field of Classification Search**
USPC D23/314, 337, 335, 329, 333, 351, 364,
D23/356; D14/214

CPC F24H 1/22; G06F 1/18
See application file for complete search history.

* cited by examiner

Primary Examiner — Barbara Fox

Assistant Examiner — Jamaal Rasheed

(74) *Attorney, Agent, or Firm* — Polson Intellectual Property Law, PC; Margaret Polson

(57) **CLAIM**

The ornamental design for a heater, as shown and described.

DESCRIPTION

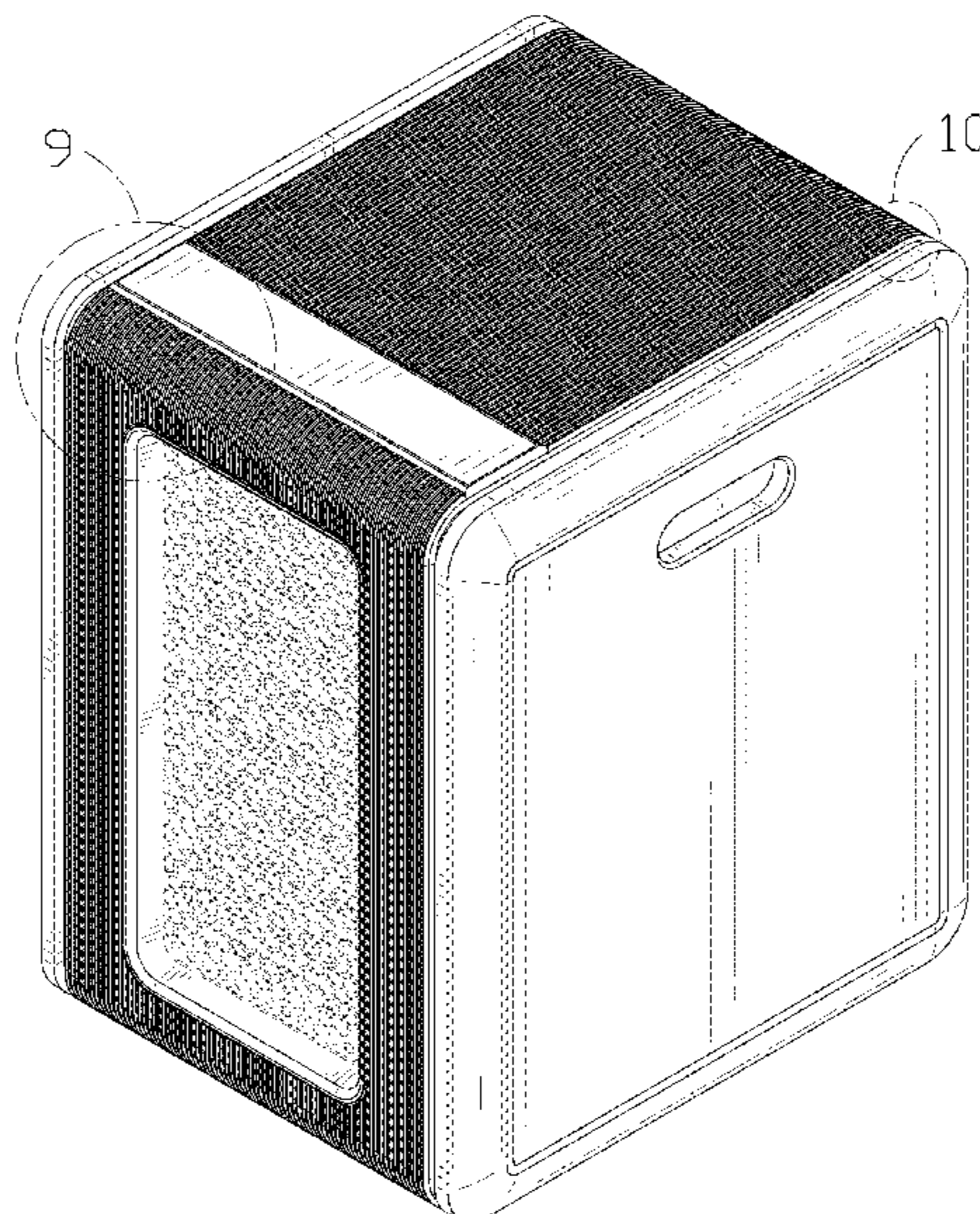
FIG. 1 is a front perspective view of a heater;
FIG. 2 is a rear perspective view thereof;
FIG. 3 is a front side view thereof;
FIG. 4 is a back side view thereof;
FIG. 5 is a right side view thereof;
FIG. 6 is a left side view thereof;
FIG. 7 is a top view thereof;
FIG. 8 is a bottom view thereof;
FIG. 9 is an enlarged view of detail 9 of FIG. 1; and,
FIG. 10 is an enlarged view of detail 10 of FIG. 1.
The broken lines shown in the drawings depict portions of the heater that form no part of the claimed design.

(56) **References Cited**

U.S. PATENT DOCUMENTS

1,835,091 A * 12/1931 Roucka F24H 1/22
122/149
D313,842 S * 1/1991 Fan D23/335
D319,306 S * 8/1991 Yamazaki D23/333
D319,498 S * 8/1991 Huang D23/335
D376,418 S * 12/1996 Wang D23/332
D548,315 S * 8/2007 Lin D23/364
D549,308 S * 8/2007 Chiu D23/333
D572,810 S * 7/2008 Chiu D23/333
D621,019 S * 8/2010 Kim D23/356
D633,608 S * 3/2011 Shapiro D23/314

1 Claim, 10 Drawing Sheets



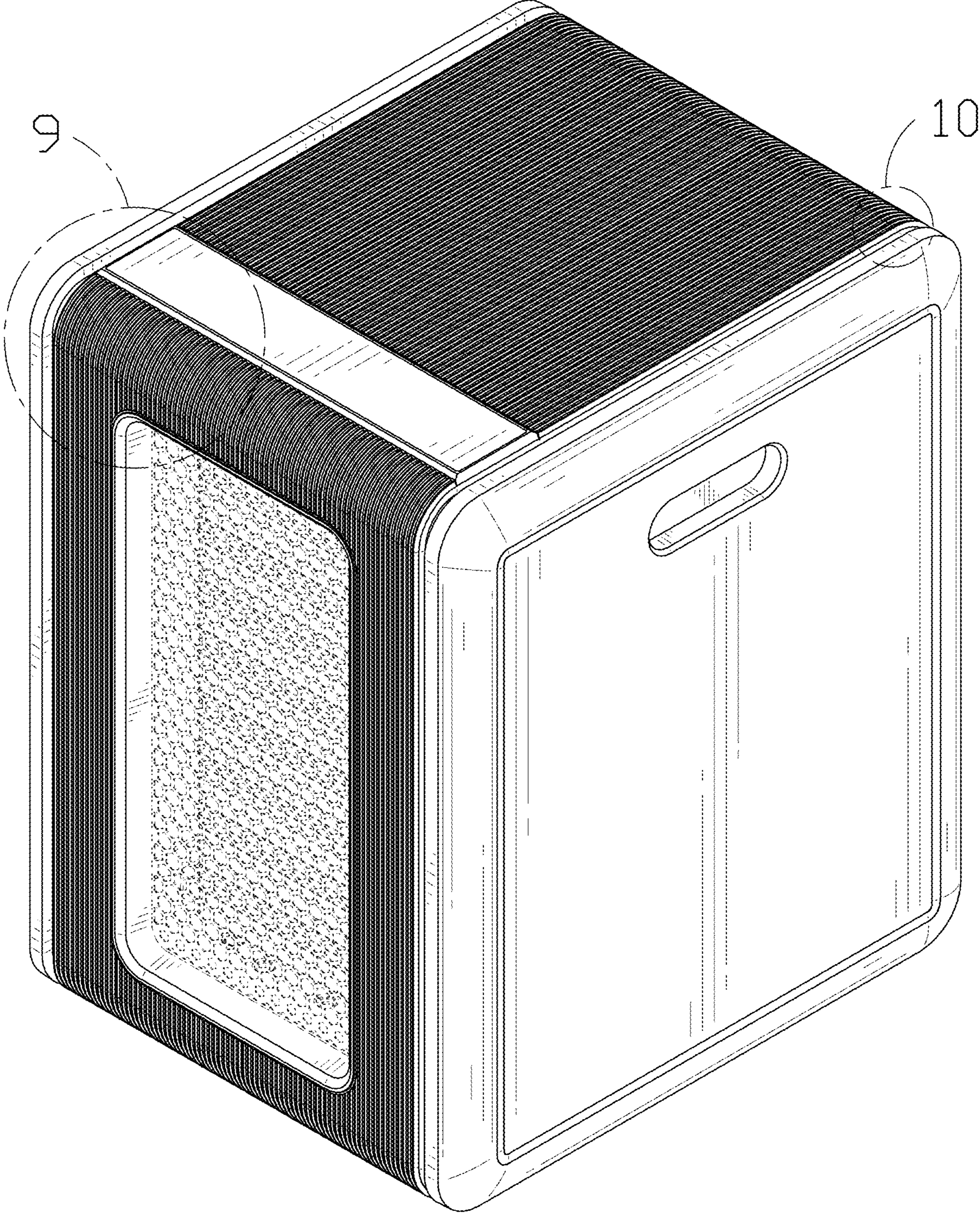


FIG. 1

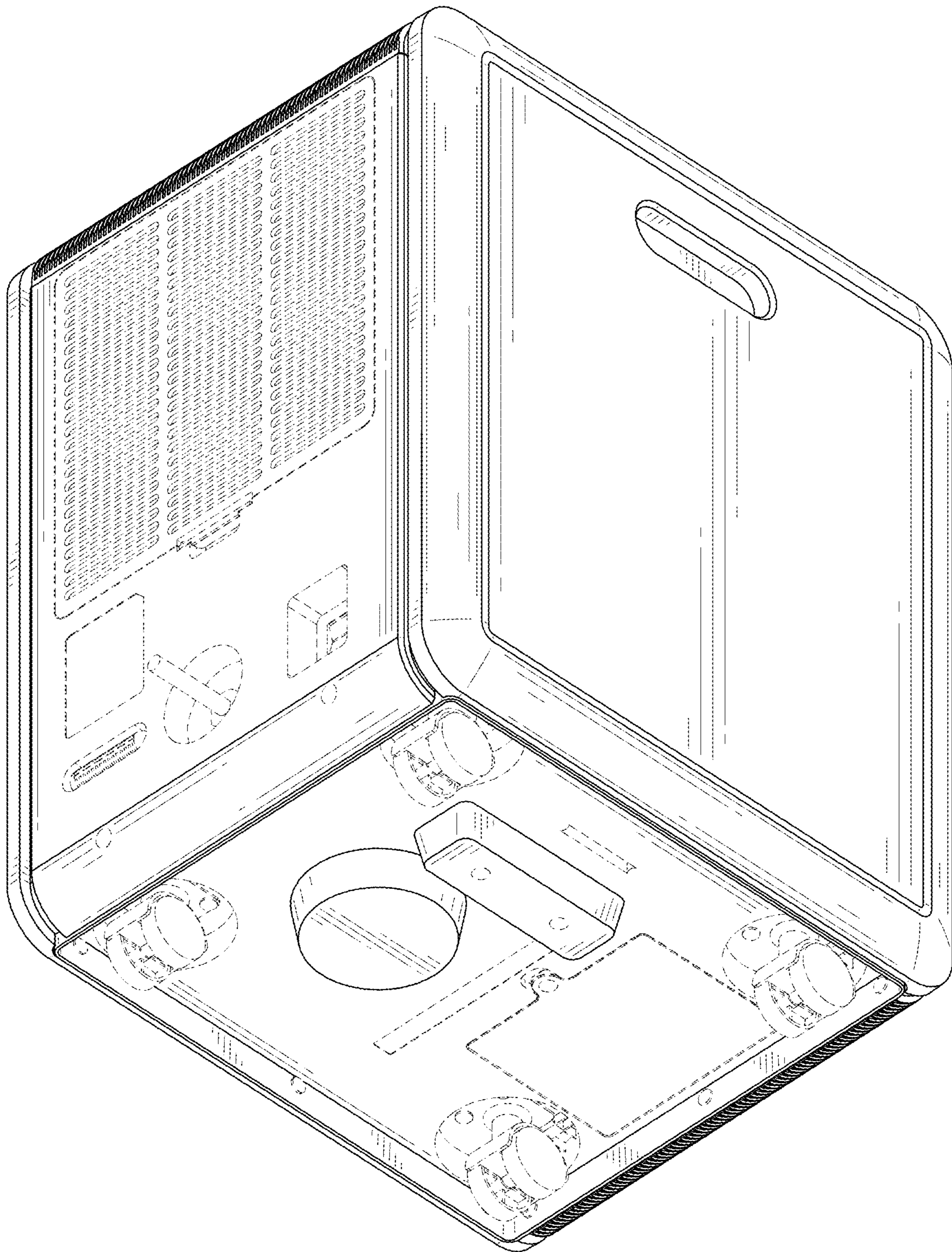


FIG. 2

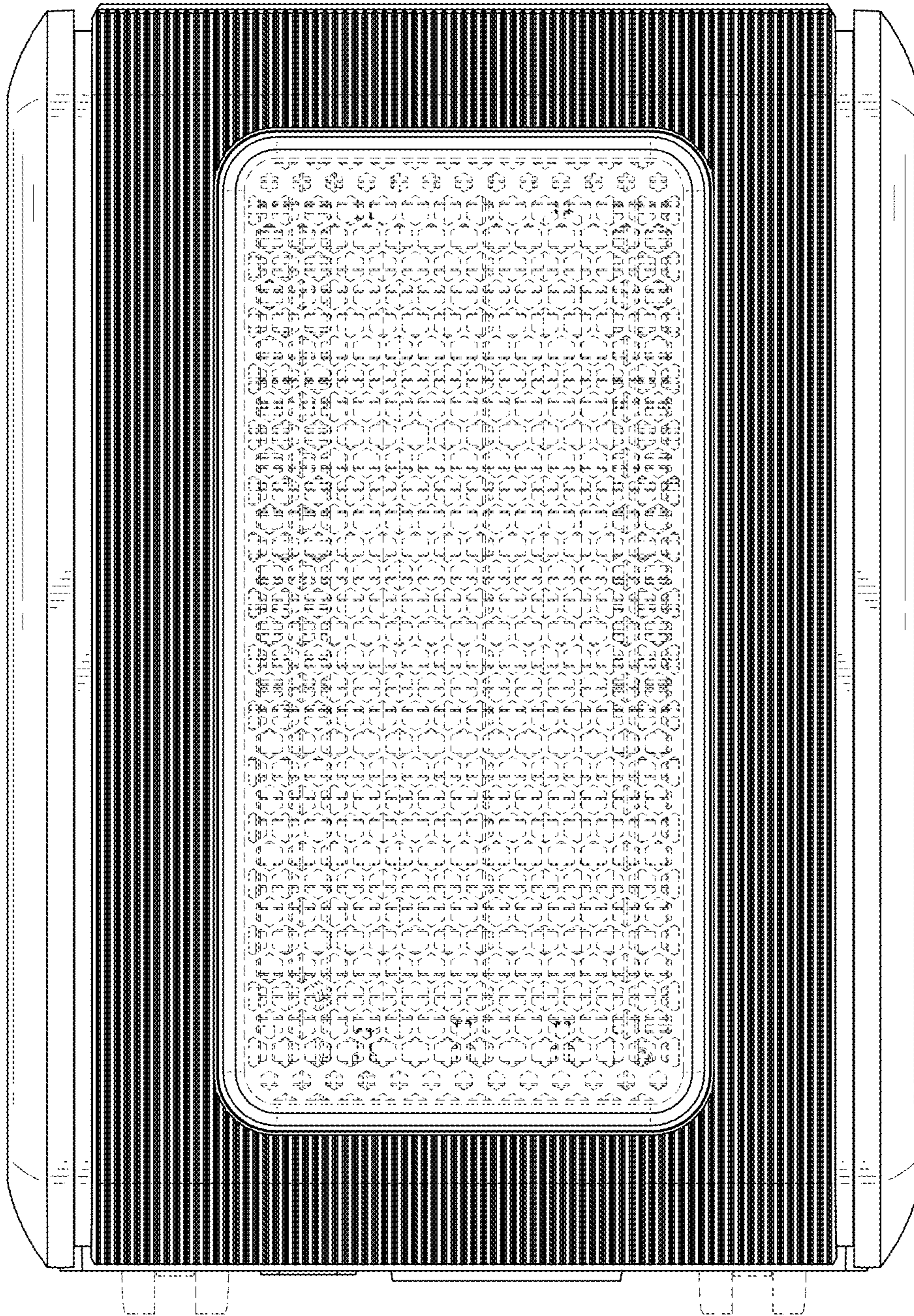


FIG. 3

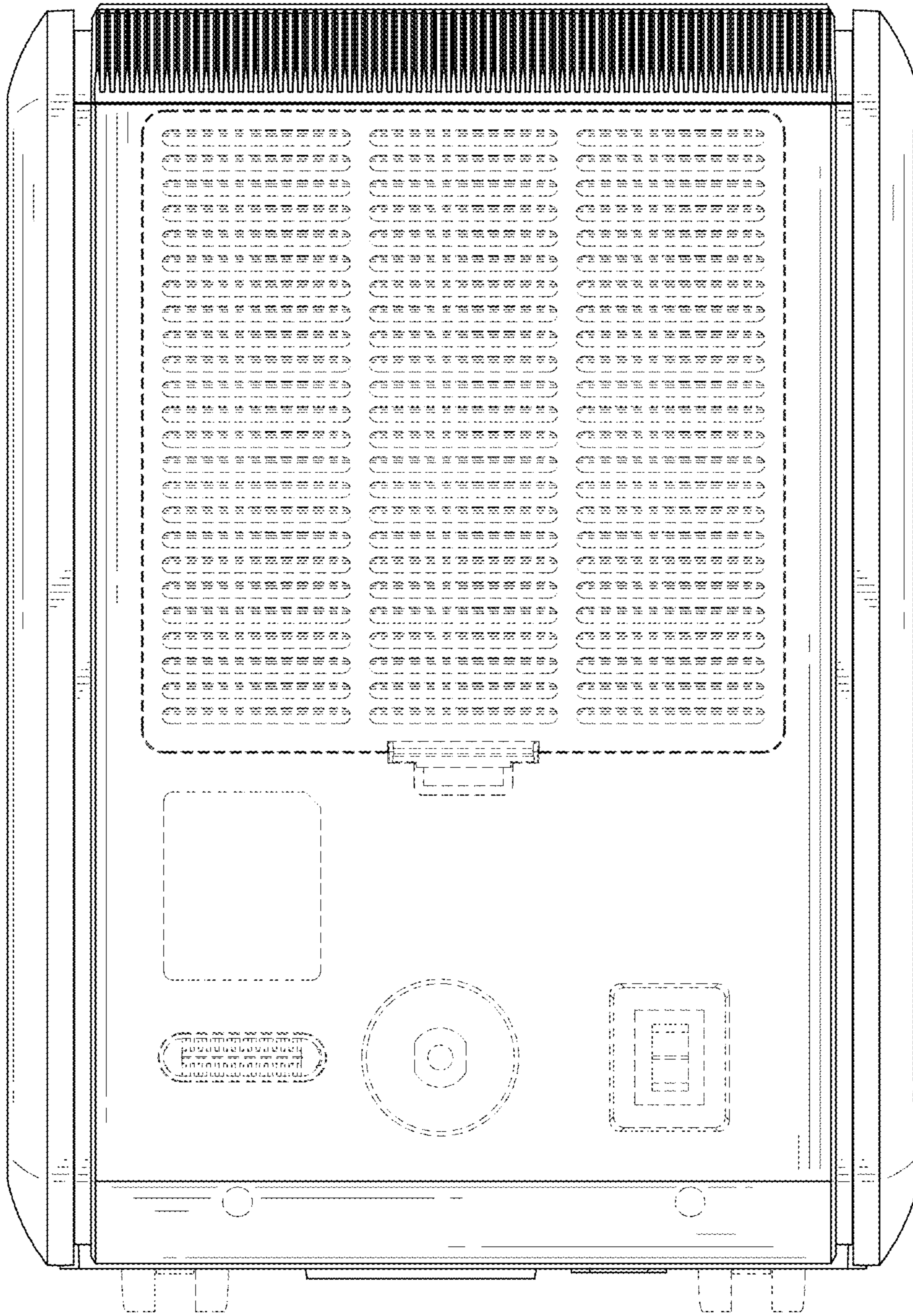


FIG. 4

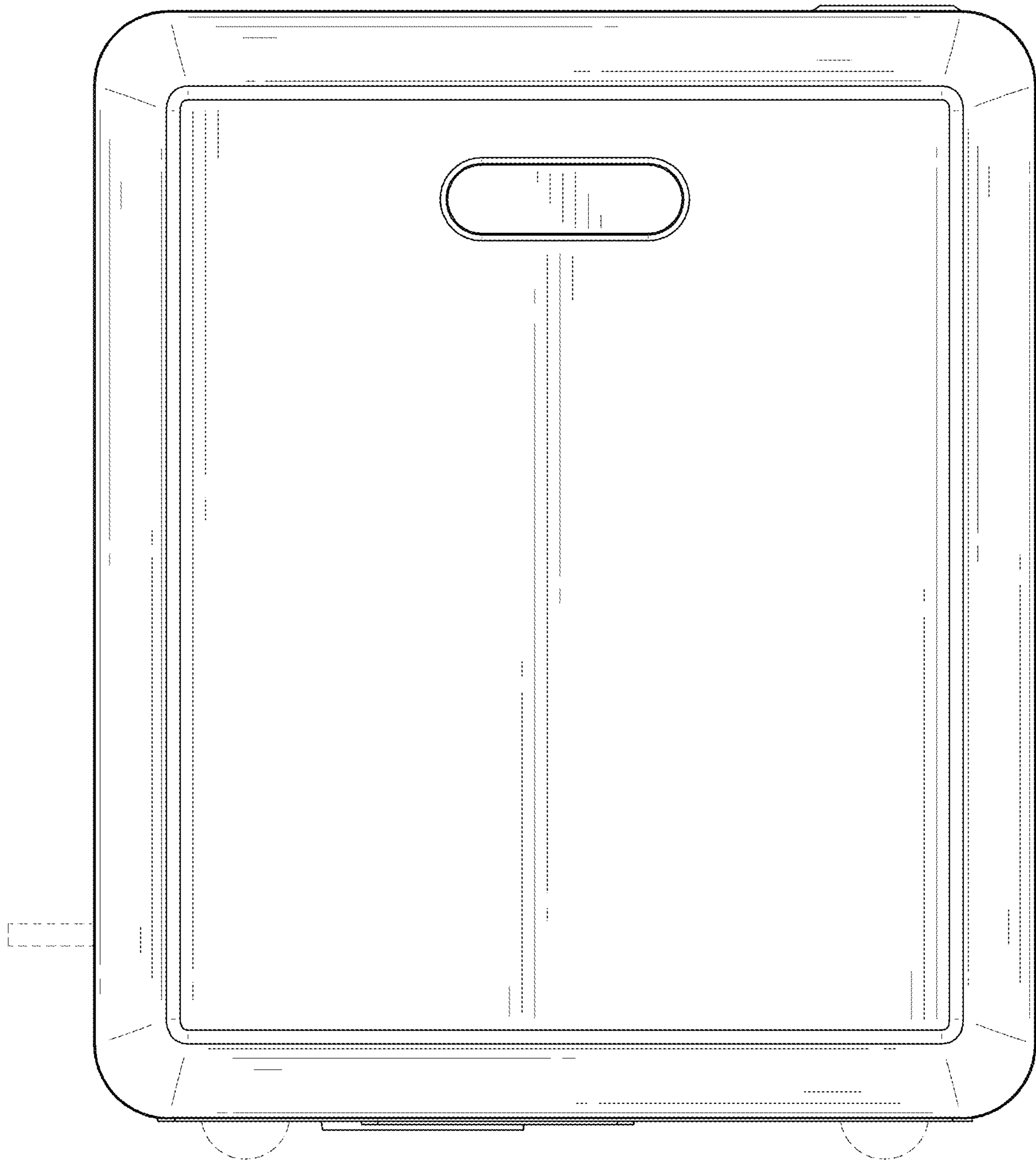


FIG. 5



FIG. 6

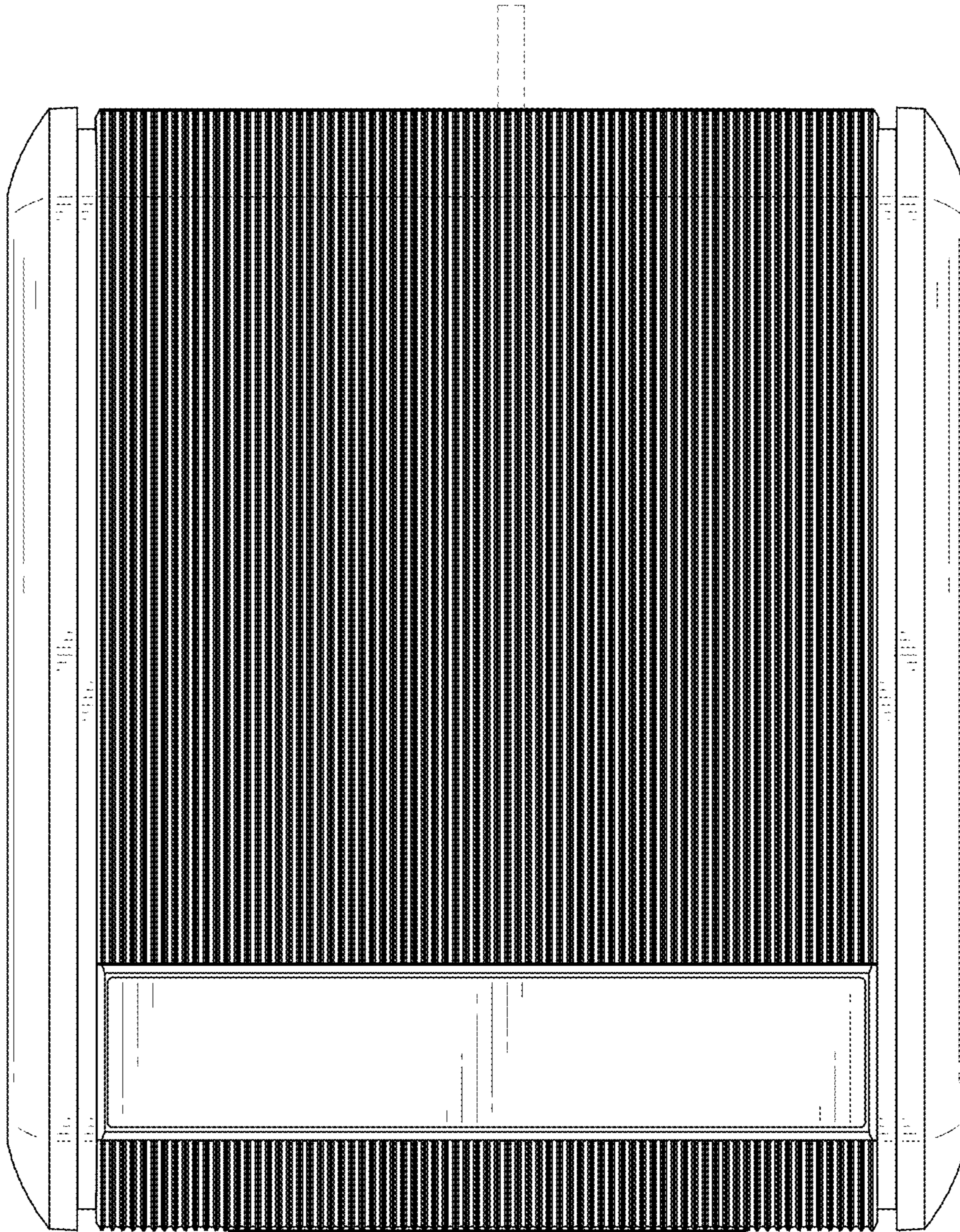


FIG. 7

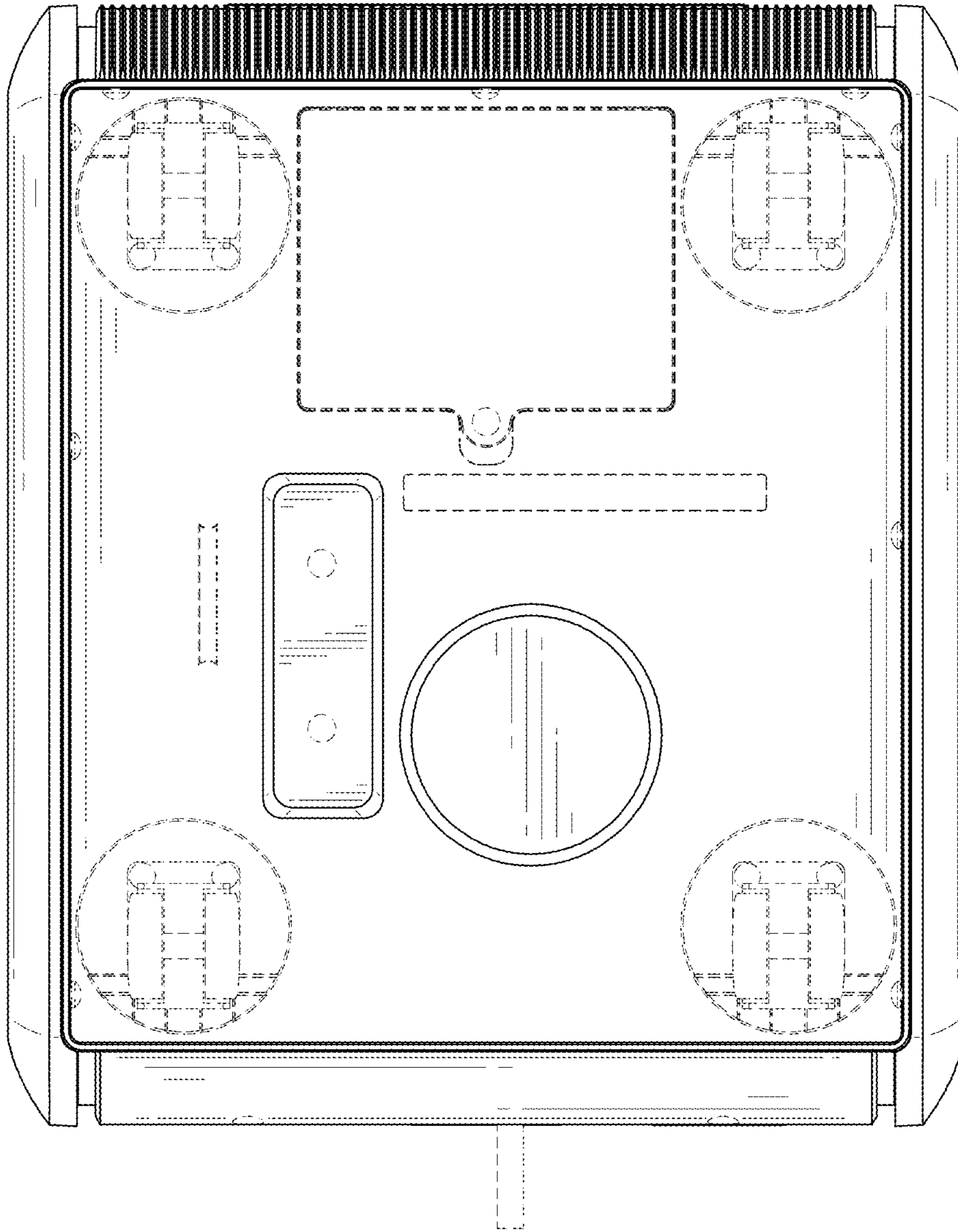


FIG. 8

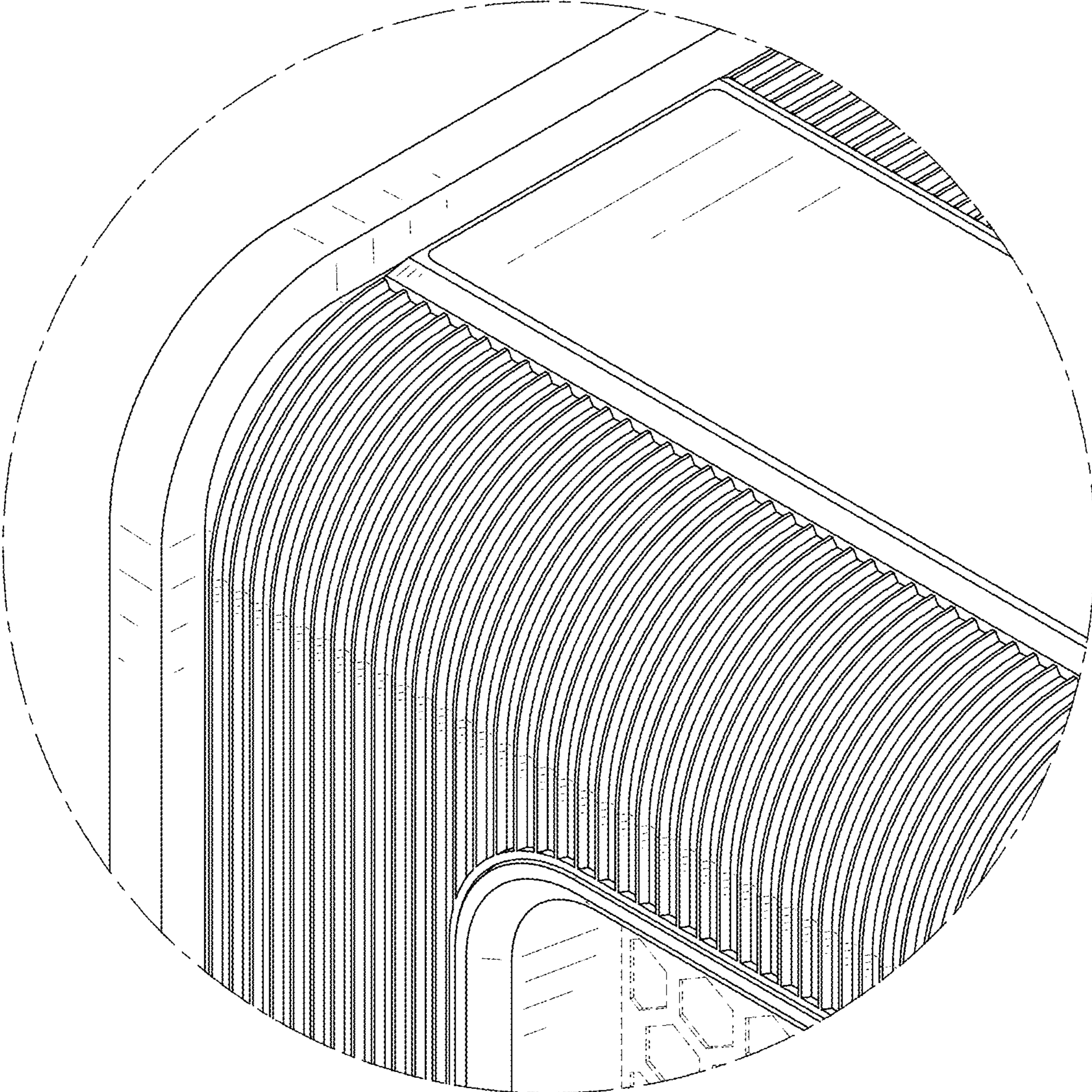


FIG. 9

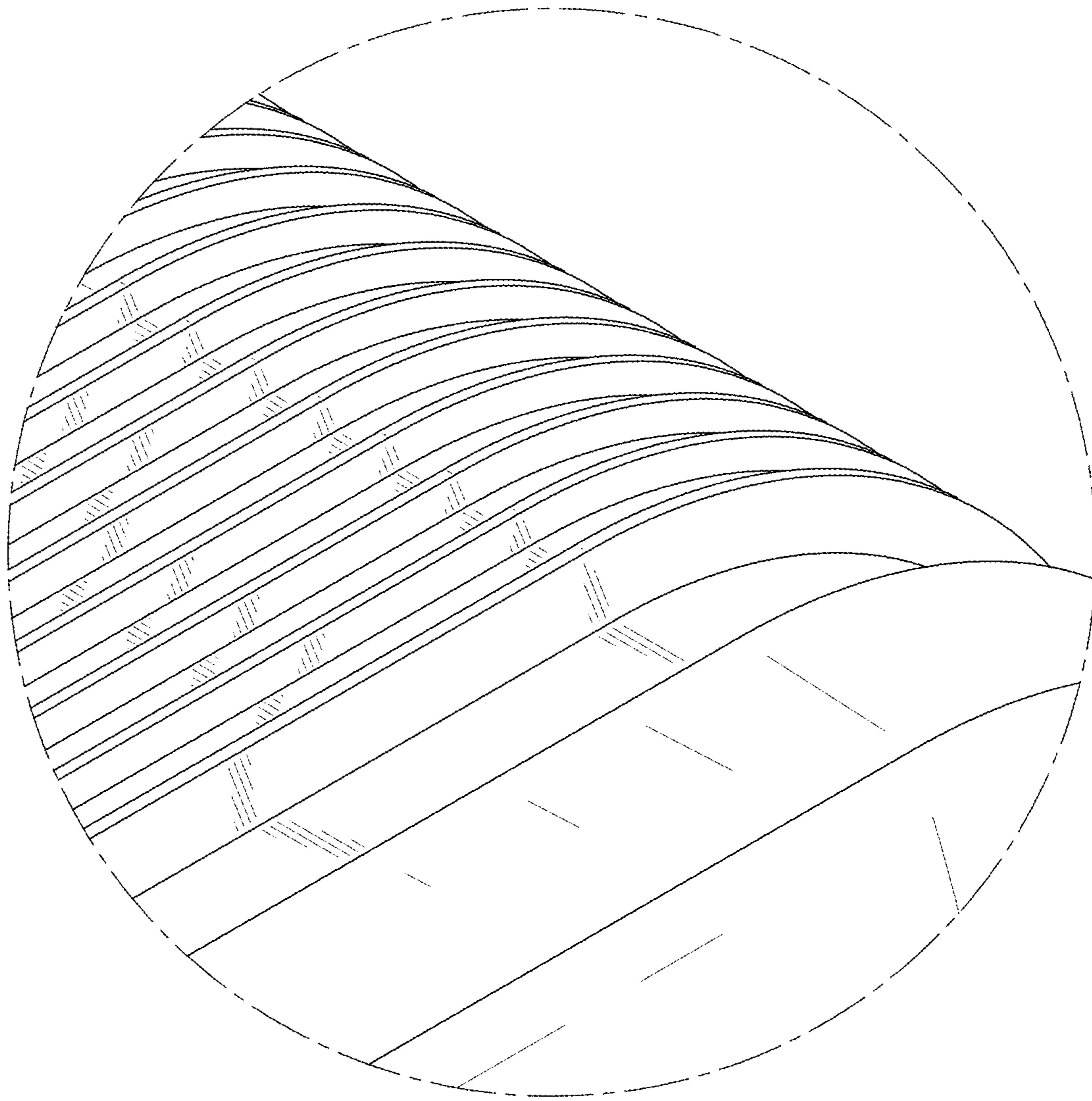


FIG. 10