



US00D893689S

(12) **United States Design Patent** (10) **Patent No.:** **US D893,689 S**
Goad (45) **Date of Patent:** **** Aug. 18, 2020**

(54) **TOILET TANK**
(71) Applicant: **Kohler Co.**, Kohler, WI (US)
(72) Inventor: **Robin Goad**, Sheboygan, WI (US)
(73) Assignee: **KOHLER CO.**, Kohler, WI (US)
(**) Term: **15 Years**
(21) Appl. No.: **29/663,998**
(22) Filed: **Sep. 20, 2018**
(51) **LOC (12) Cl.** **23-02**
(52) **U.S. Cl.**
USPC **D23/313**
(58) **Field of Classification Search**
USPC D23/295, 301, 303, 310, 313
CPC A47K 11/00
See application file for complete search history.

D608,430 S * 1/2010 Slothower D23/313
D637,703 S 5/2011 Corpuz et al.
D639,918 S * 6/2011 Bates D23/313
D641,459 S 7/2011 Corpuz et al.
D649,627 S 11/2011 Corpuz et al.
D678,490 S 3/2013 Corpuz et al.
D751,183 S * 3/2016 McNinch D23/313
D797,910 S * 9/2017 Garland D23/301

* cited by examiner

Primary Examiner — Robert A Delehanty

(74) *Attorney, Agent, or Firm* — Foley & Lardner LLP

(57) **CLAIM**

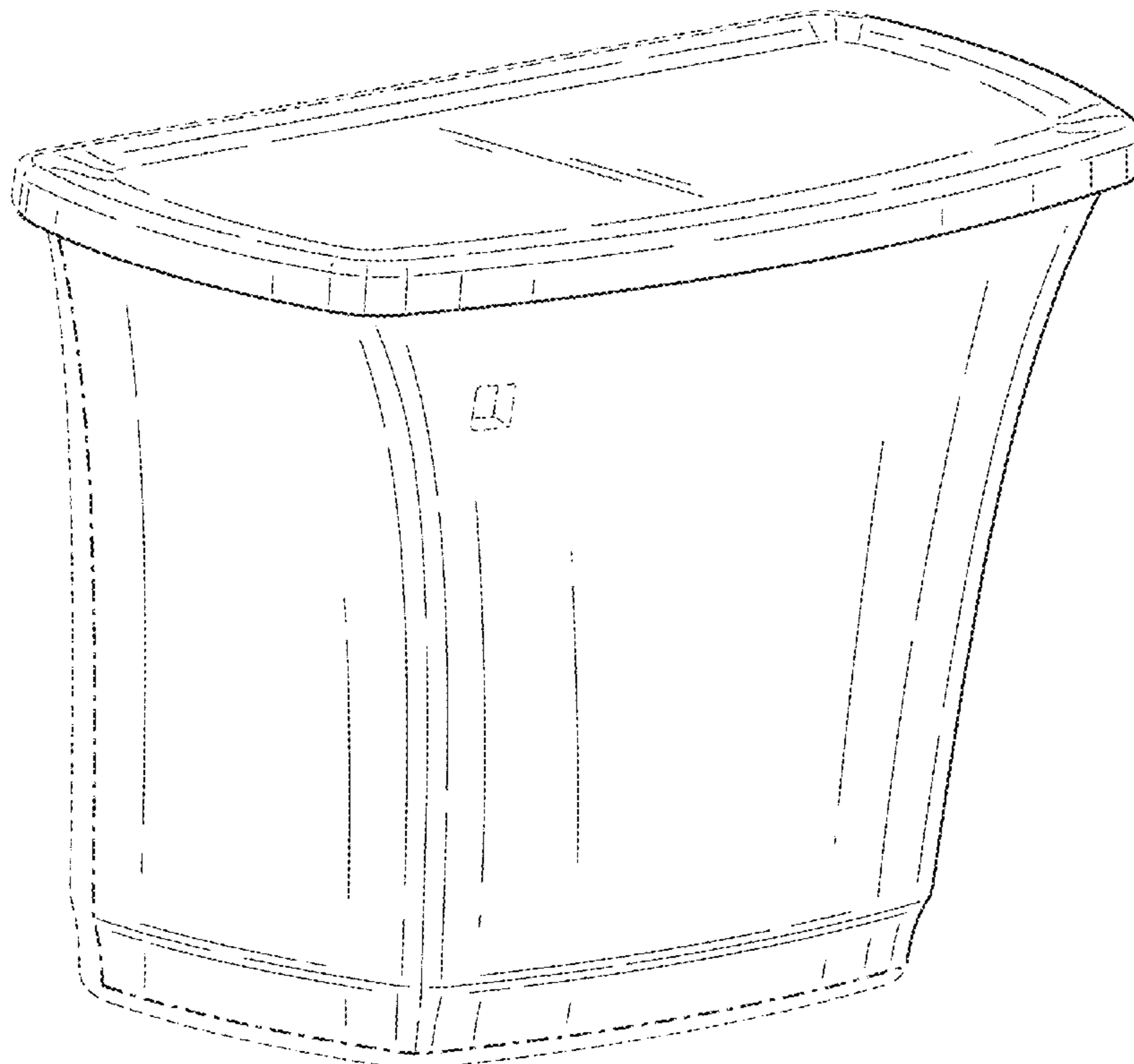
I claim the ornamental design for a toilet tank, as shown and described.

DESCRIPTION

FIG. 1 is a perspective view of an embodiment of the claimed design;
FIG. 2 is a front view of the embodiment of FIG. 1;
FIG. 3 is a rear view of the embodiment of FIG. 1;
FIG. 4 is a side view of the embodiment of FIG. 1;
FIG. 5 is another side view of the embodiment of FIG. 1;
FIG. 6 is a top view of the embodiment of FIG. 1; and,
FIG. 7 is a bottom view of the embodiment of FIG. 1.
The ornamental design which is claimed is shown in solid lines in the drawings: The broken lines in the drawings are for illustrative purposes only and form no part of the claimed design. Broken lines formed of unequal length dashes (i.e., dash-dot) define bounds of the claimed design.

1 Claim, 5 Drawing Sheets

(56) **References Cited**
U.S. PATENT DOCUMENTS
D379,217 S 5/1997 Kergoet
D390,933 S 2/1998 Slothower
D415,563 S 10/1999 McKeone
D441,437 S 5/2001 McKeone
D451,175 S 11/2001 Smith
D471,621 S 3/2003 Bennie
D514,208 S 1/2006 Gordon
D514,673 S 2/2006 Lanius
D515,186 S 2/2006 Lanius
D529,153 S 9/2006 Gordon
D585,128 S 1/2009 Slothower et al.



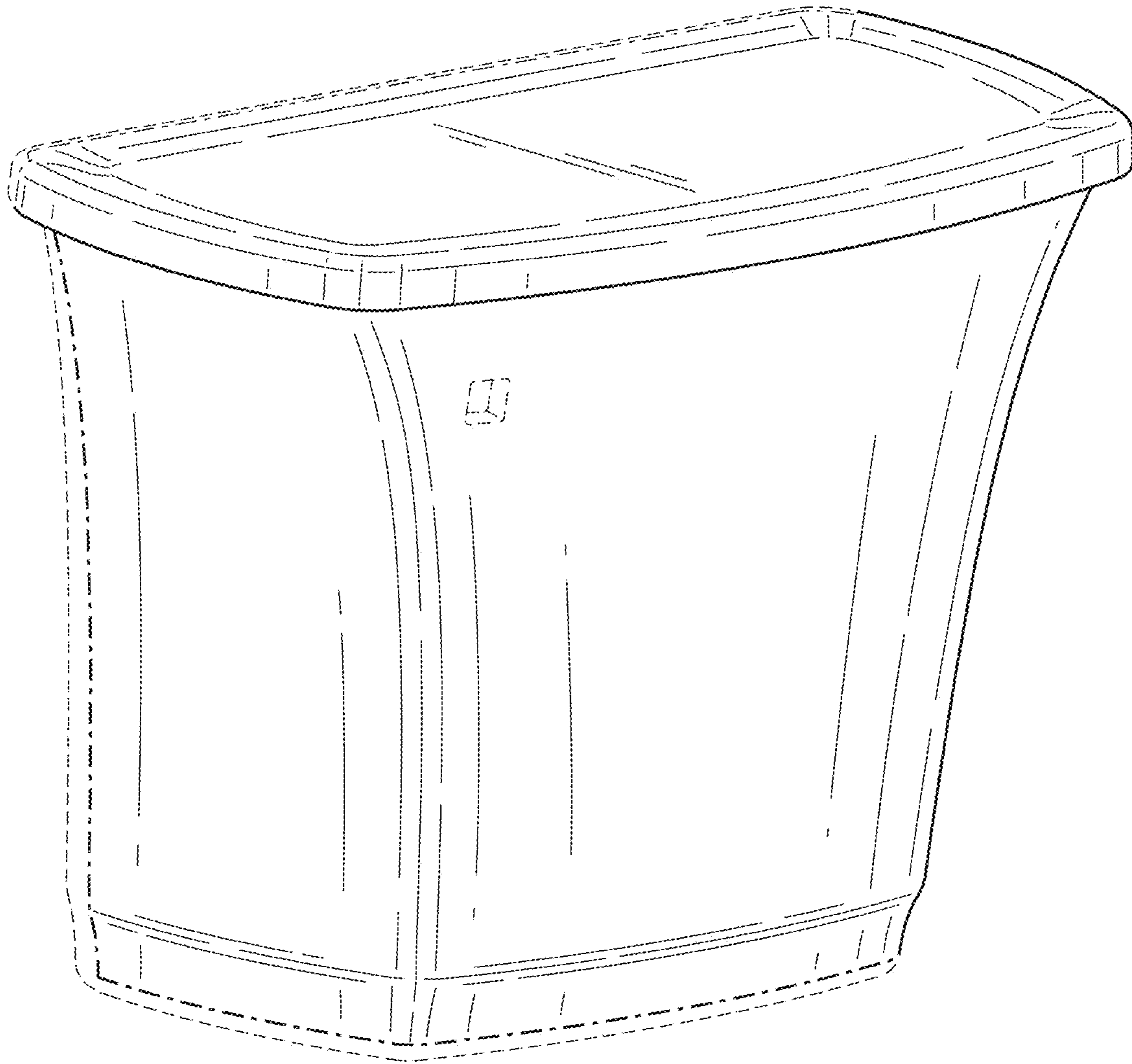


FIG. 1

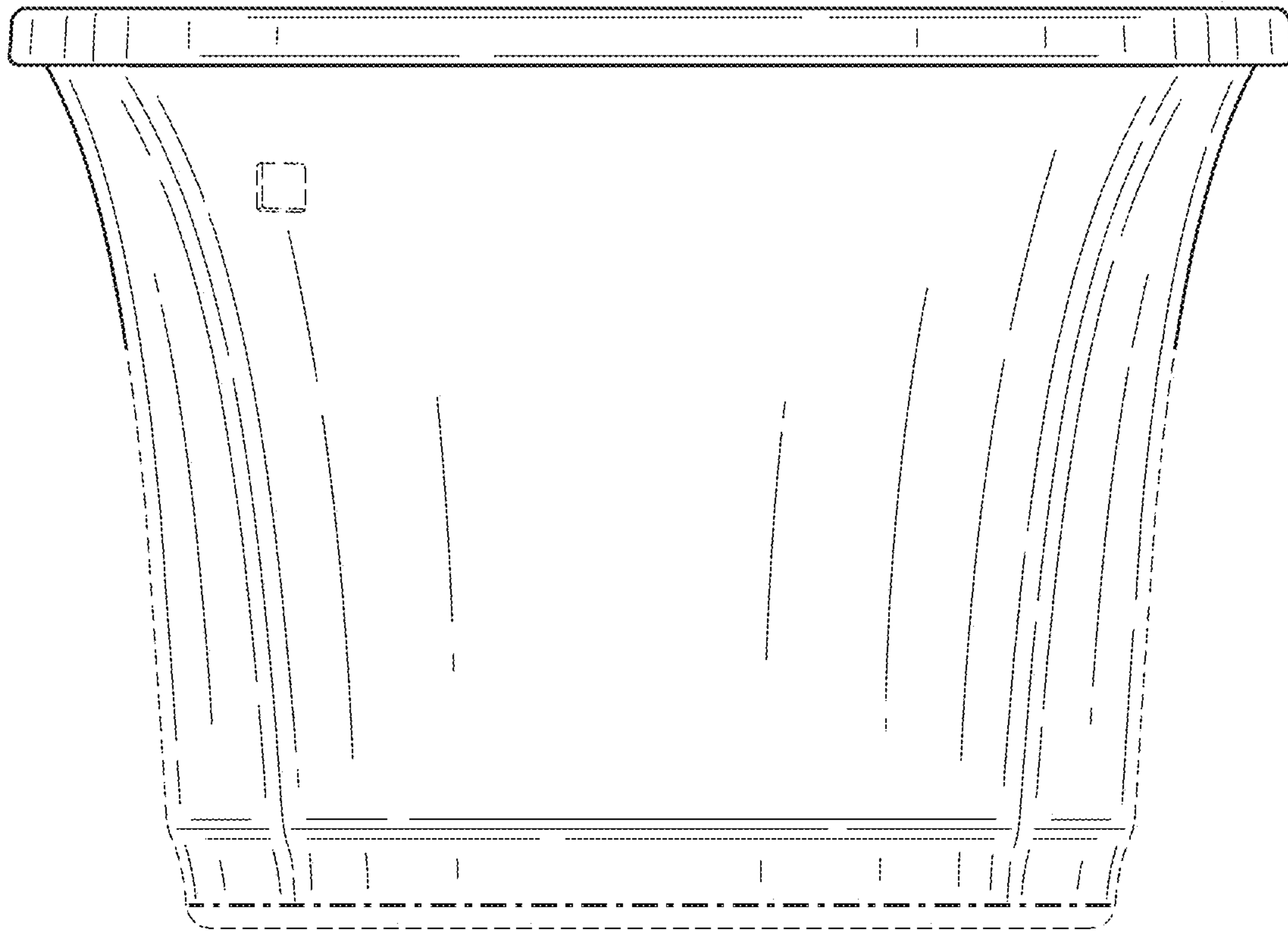


FIG. 2

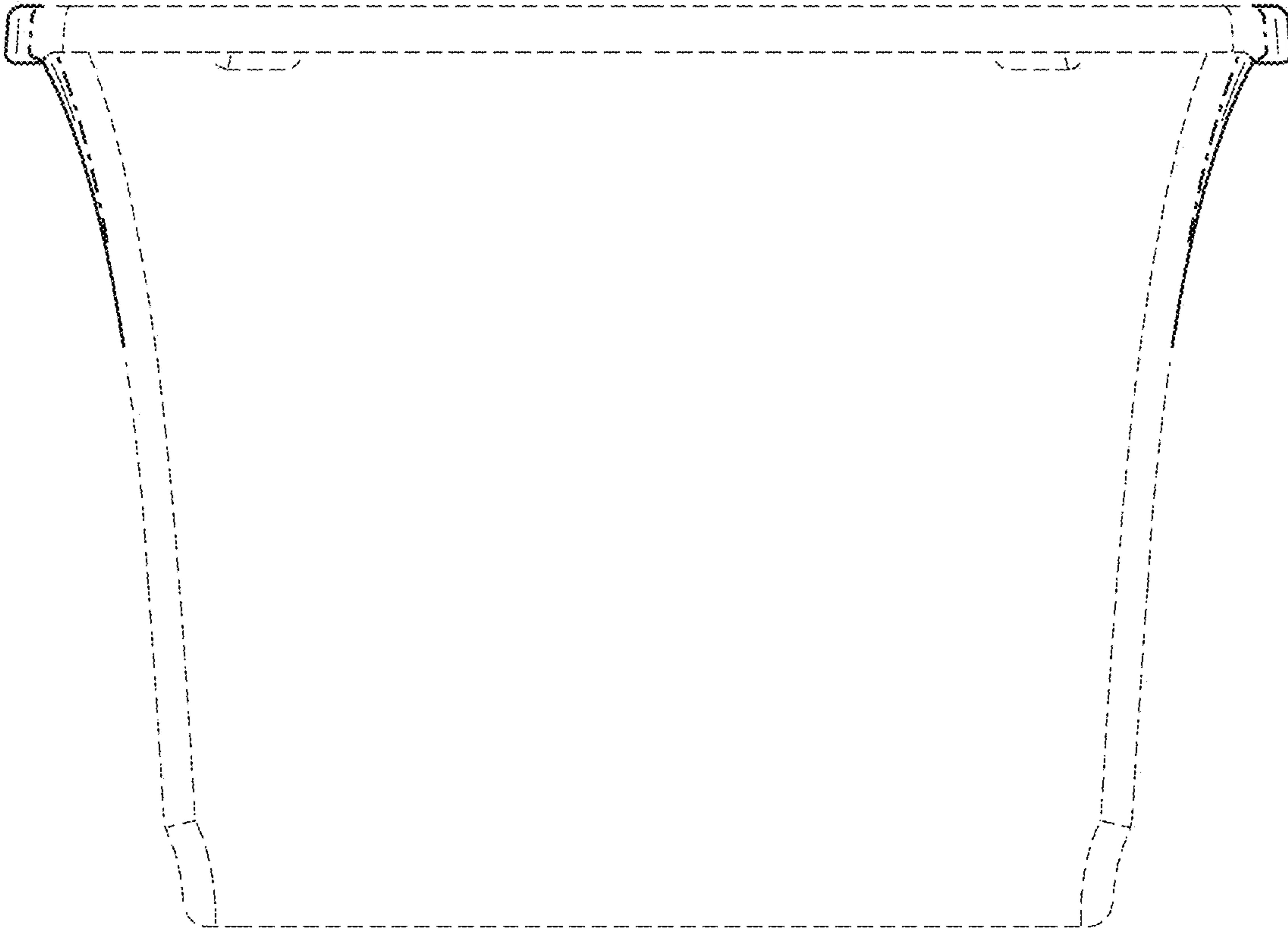


FIG. 3

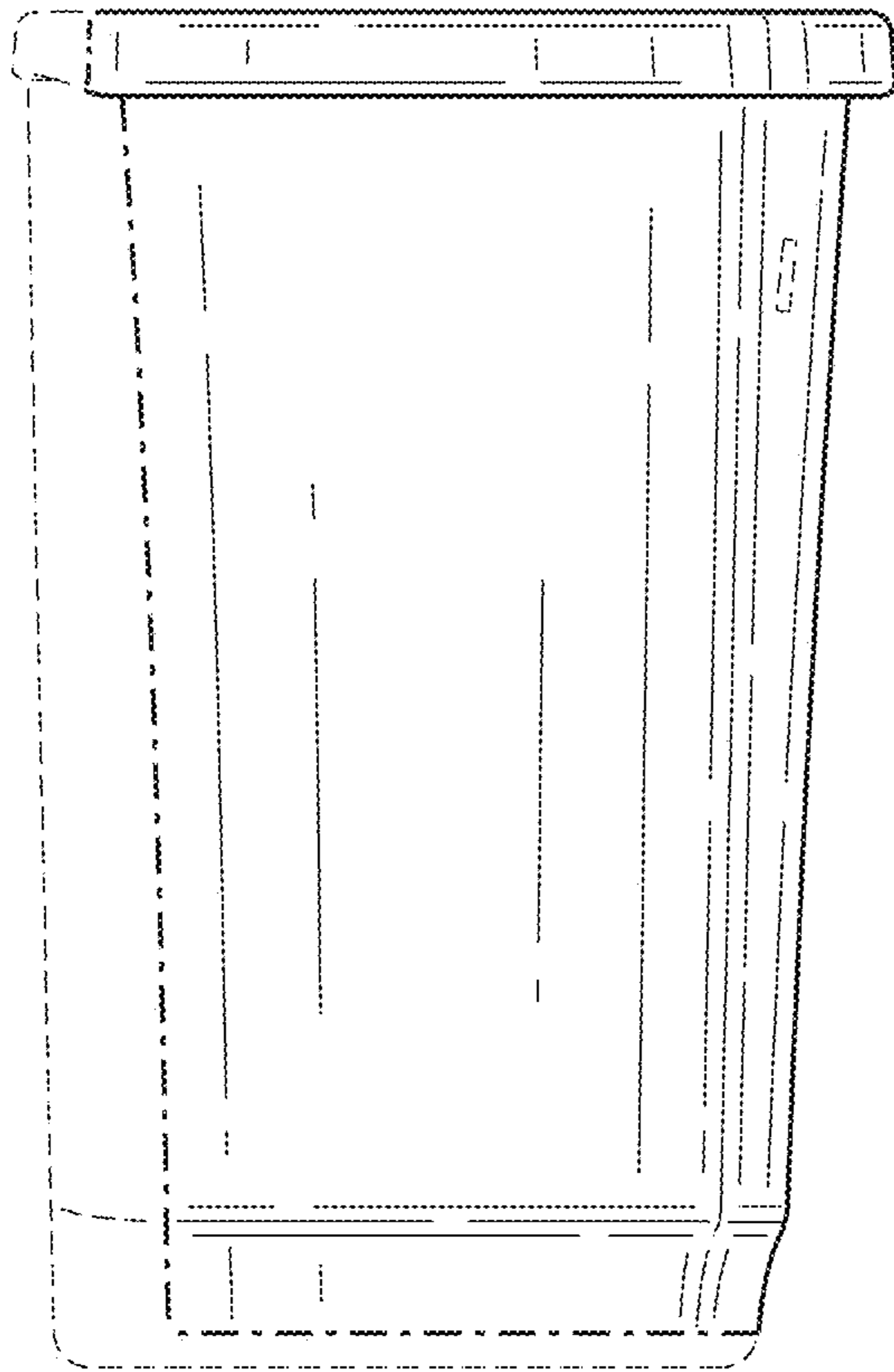


FIG. 4

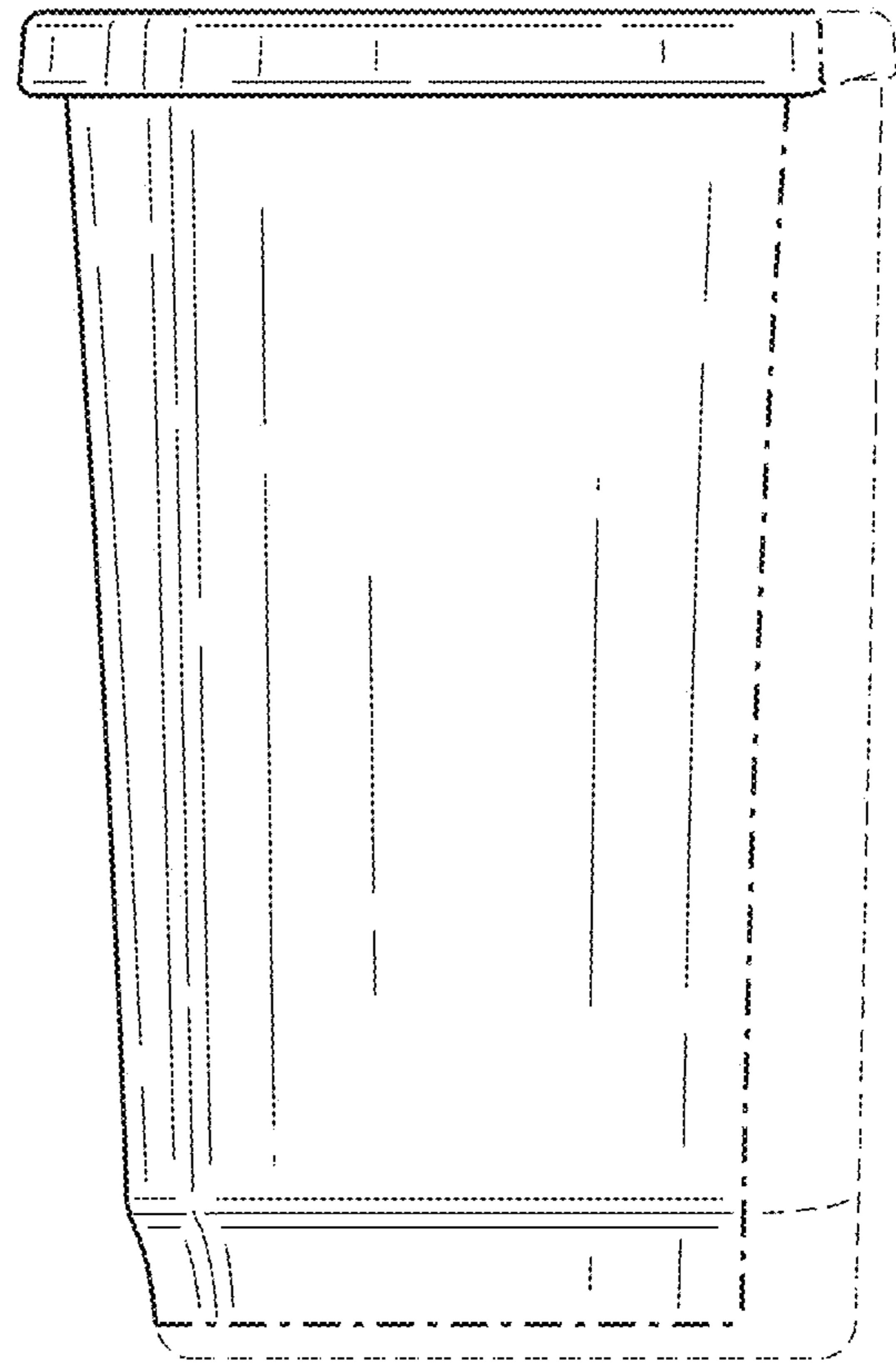


FIG. 5

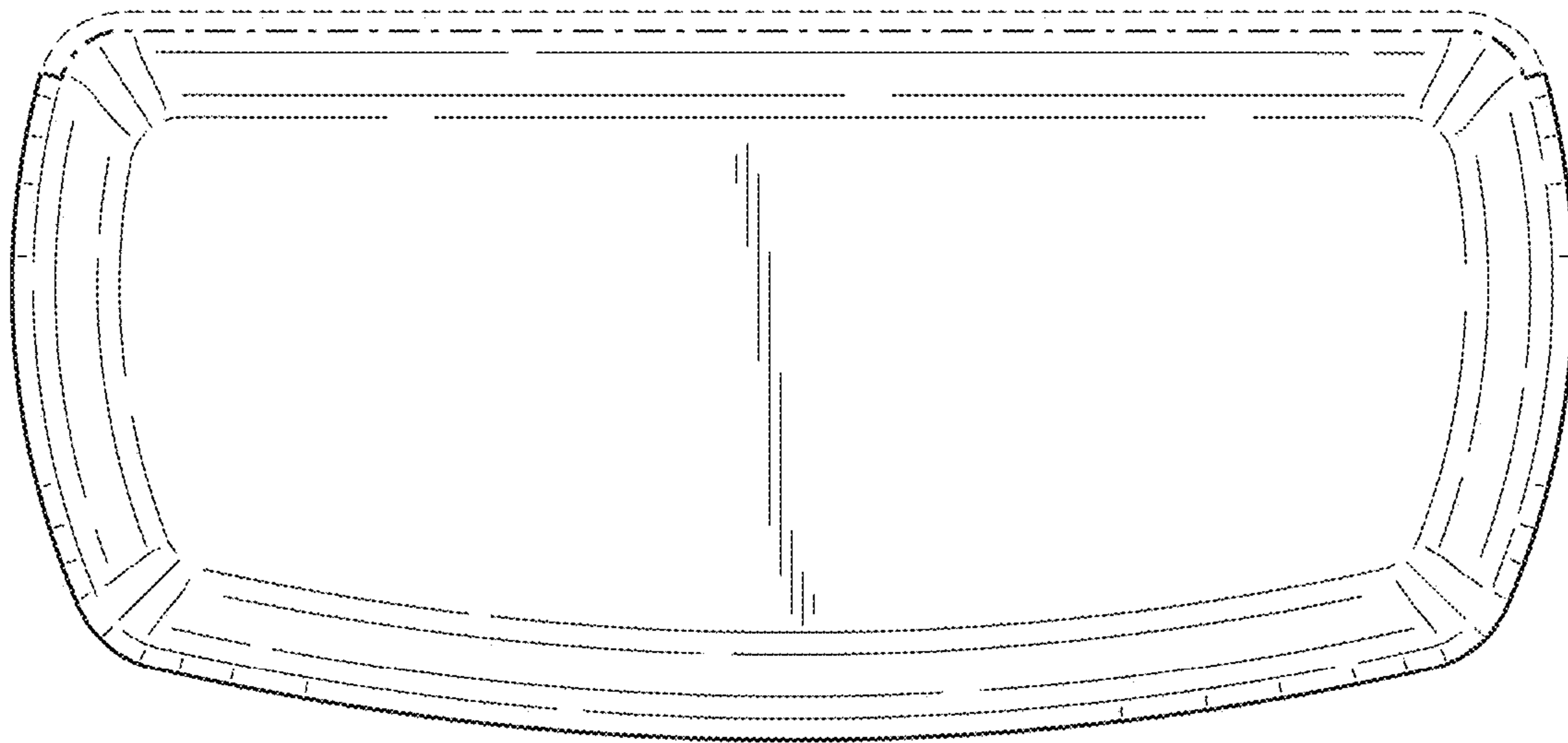


FIG. 6

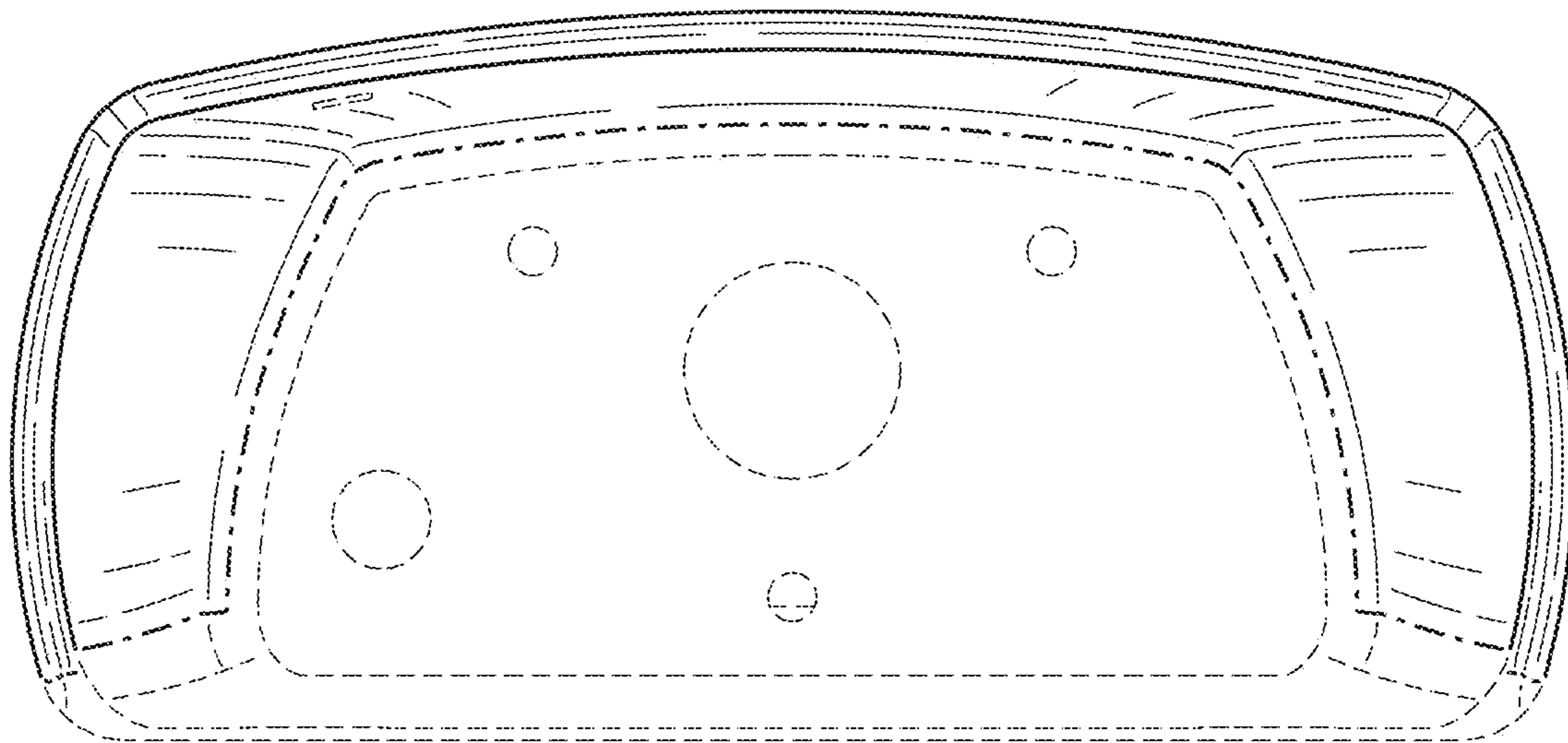


FIG. 7