



US00D893687S

(12) **United States Design Patent** (10) **Patent No.:** **US D893,687 S**
Kergoët (45) **Date of Patent:** **** Aug. 18, 2020**

- (54) **TOILET**
- (71) Applicant: **Kohler Co.**, Kohler, WI (US)
- (72) Inventor: **François Kergoët**, Malakoff (FR)
- (73) Assignee: **KOHLER CO.**, Kohler, WI (US)
- (**) Term: **15 Years**
- (21) Appl. No.: **29/711,355**
- (22) Filed: **Oct. 30, 2019**

- D624,997 S 10/2010 Schonherr
- D652,493 S 1/2012 Bucher
- D690,402 S 9/2013 Bates
- D702,819 S 4/2014 Garland
- (Continued)

OTHER PUBLICATIONS

Kohler 2016 Fixtures Price Book; pp. 314-347.

Primary Examiner — Lakiya G Rogers

Assistant Examiner — John A Voytek

(74) *Attorney, Agent, or Firm* — Foley & Lardner LLP

Related U.S. Application Data

- (62) Division of application No. 29/646,763, filed on May 7, 2018, now Pat. No. Des. 869,624.
- (51) **LOC (12) Cl.** **23-02**
- (52) **U.S. Cl.**
USPC **D23/309**
- (58) **Field of Classification Search**
USPC D23/295–303, 309, 311–313
CPC A47K 11/02; A47K 11/026; A47K 11/00;
A47K 13/00; E03D 11/18; E03D 5/10;
E03D 13/00
See application file for complete search history.

(57) **CLAIM**

I claim the ornamental design for a toilet, as shown and described.

DESCRIPTION

FIG. 1 is a perspective view of another embodiment of the claimed design;
 FIG. 2 is a front view of the claimed design shown in FIG. 1;
 FIG. 3 is a rear view of the claimed design shown in FIG. 1;
 FIG. 4 is a top view of the claimed design shown in FIG. 1;
 FIG. 5 is a bottom view of the claimed design shown in FIG. 1;
 FIG. 6 is a side view of the claimed design shown in FIG. 1; and,
 FIG. 7 is another side view of the claimed design shown in FIG. 1.

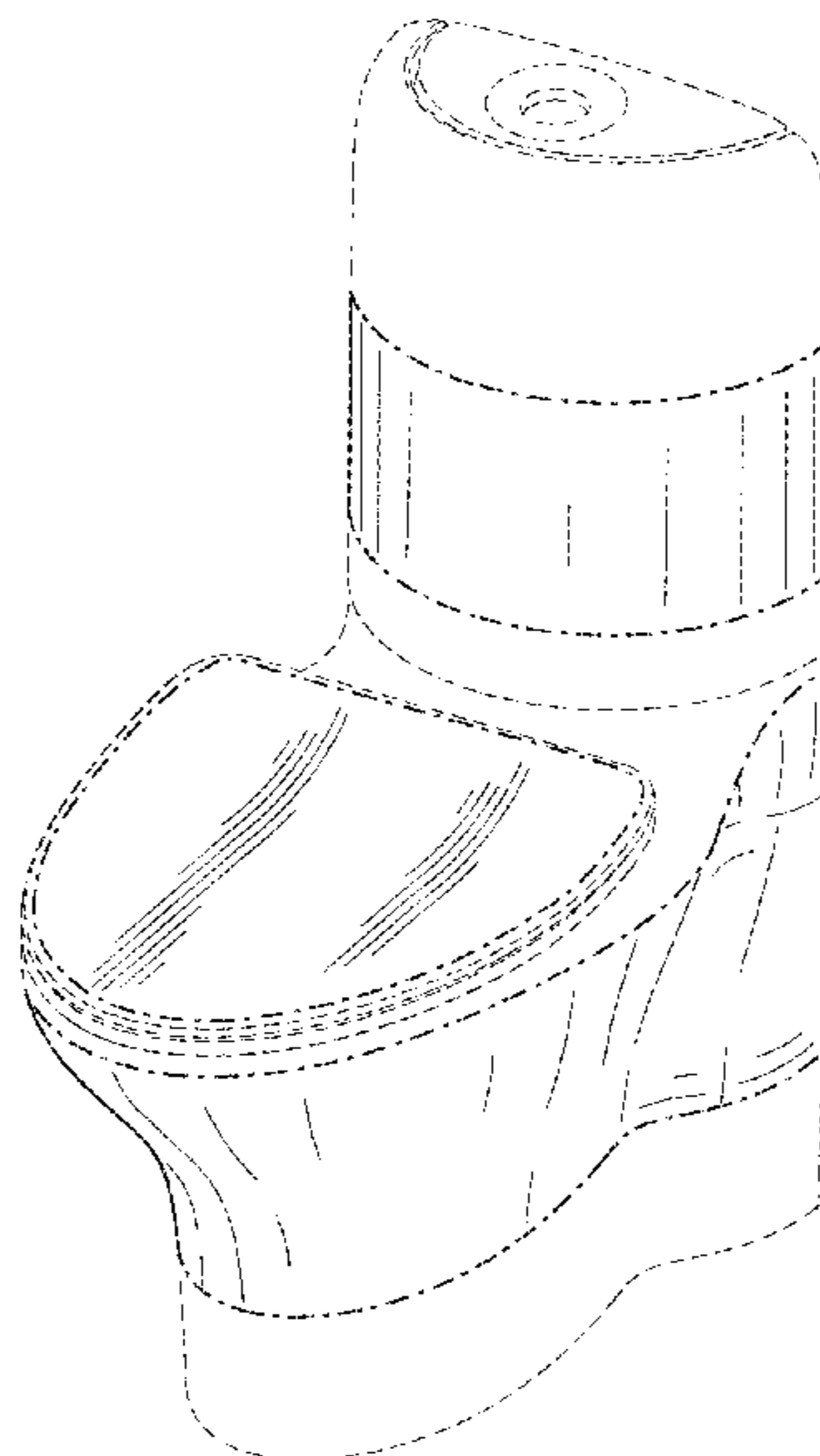
The broken lines in the drawings are for illustrative purposes only and form no part of the claimed design. Broken lines formed by equal length dashes show unclaimed portions of the design. Broken lines formed of unequal length dashes (i.e., dash-dot) show boundaries between either claimed and unclaimed portions of the design or between unclaimed and unclaimed portions of the design.

(56) **References Cited**

U.S. PATENT DOCUMENTS

- D379,217 S 5/1997 Kergoët
- D406,325 S 3/1999 Nagato
- D412,742 S 8/1999 Soulier
- D455,202 S 4/2002 Soulier
- D460,812 S 7/2002 Tani
- D531,288 S 10/2006 Soulier
- D594,098 S 6/2009 Paterson
- D603,029 S * 10/2009 Bucher D23/301
- D603,944 S 11/2009 Grover
- D615,635 S 5/2010 Hanna
- D616,077 S 5/2010 Lin
- D621,011 S 8/2010 Bucher

1 Claim, 6 Drawing Sheets



(56)

References Cited

U.S. PATENT DOCUMENTS

| | | | |
|--------------|---------|-----------------|---------|
| D702,820 S * | 4/2014 | Spangler | D23/301 |
| D720,840 S * | 1/2015 | Garland | D23/301 |
| D767,742 S | 9/2016 | Bates et al. | |
| D797,911 S | 9/2017 | Mesun | |
| D801,493 S * | 10/2017 | Bates | D23/309 |
| D802,106 S * | 11/2017 | Stevenson | D23/301 |
| D831,799 S | 10/2018 | Obara | |
| D869,624 S * | 12/2019 | Kergoet | D23/301 |

* cited by examiner

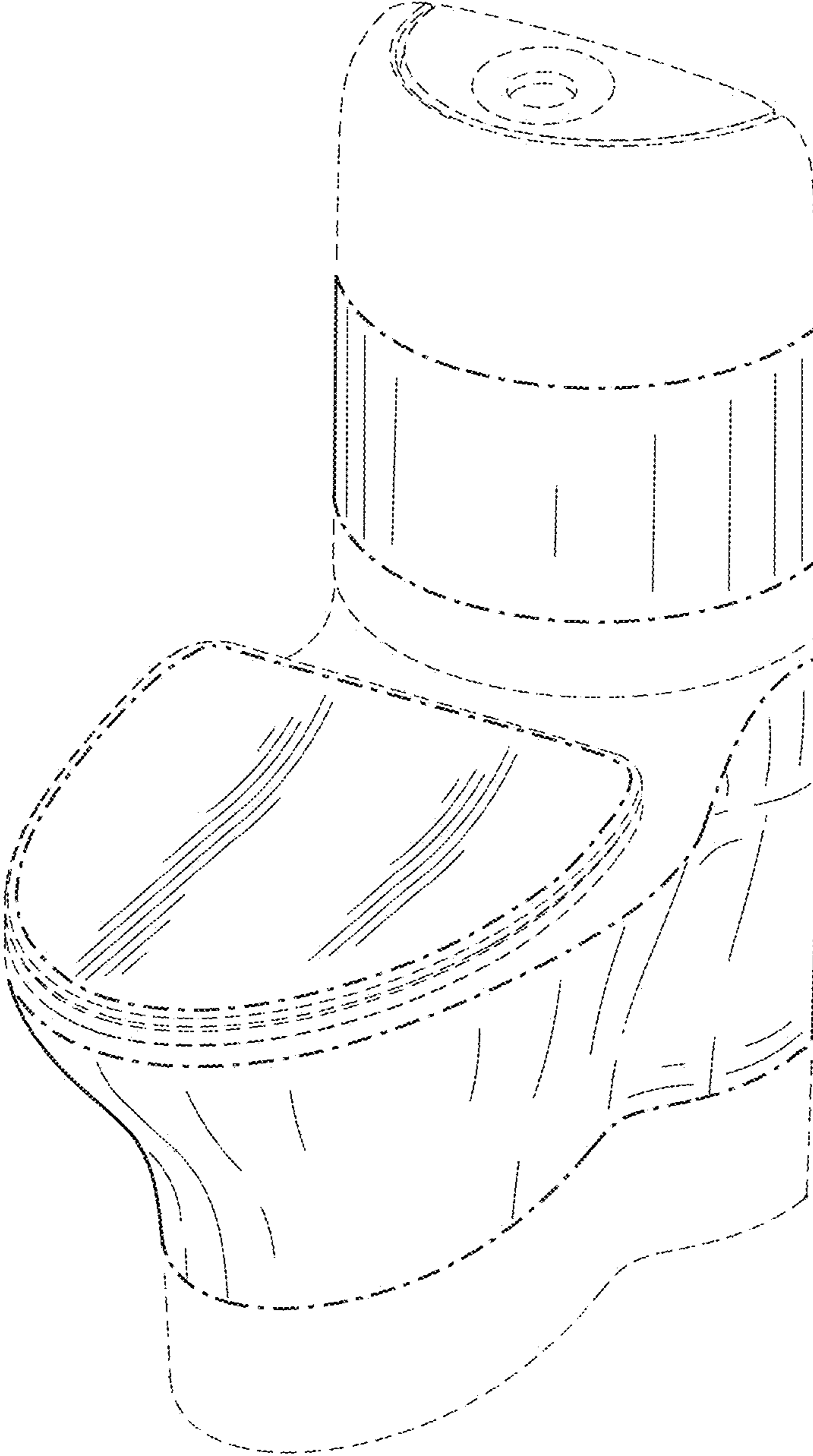


FIG. 1

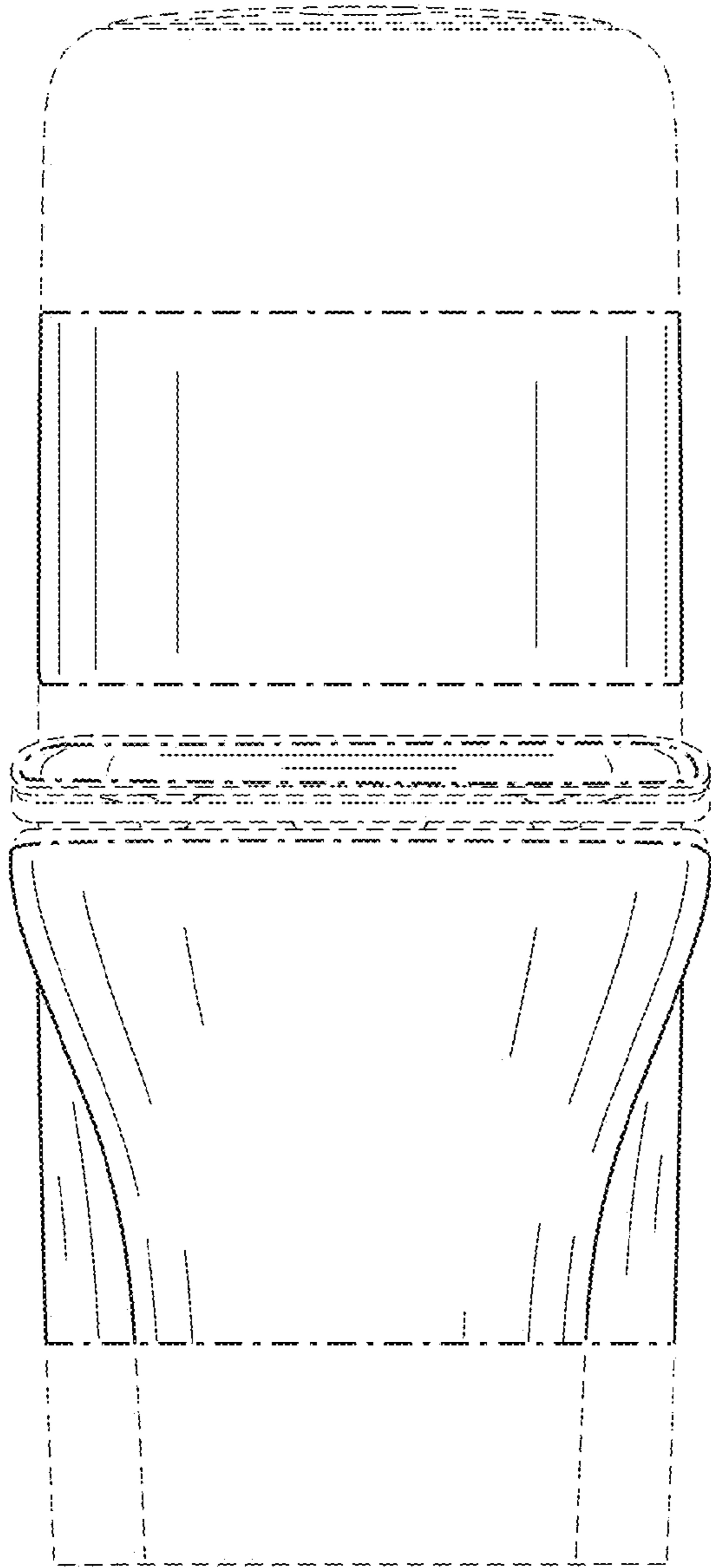


FIG. 2

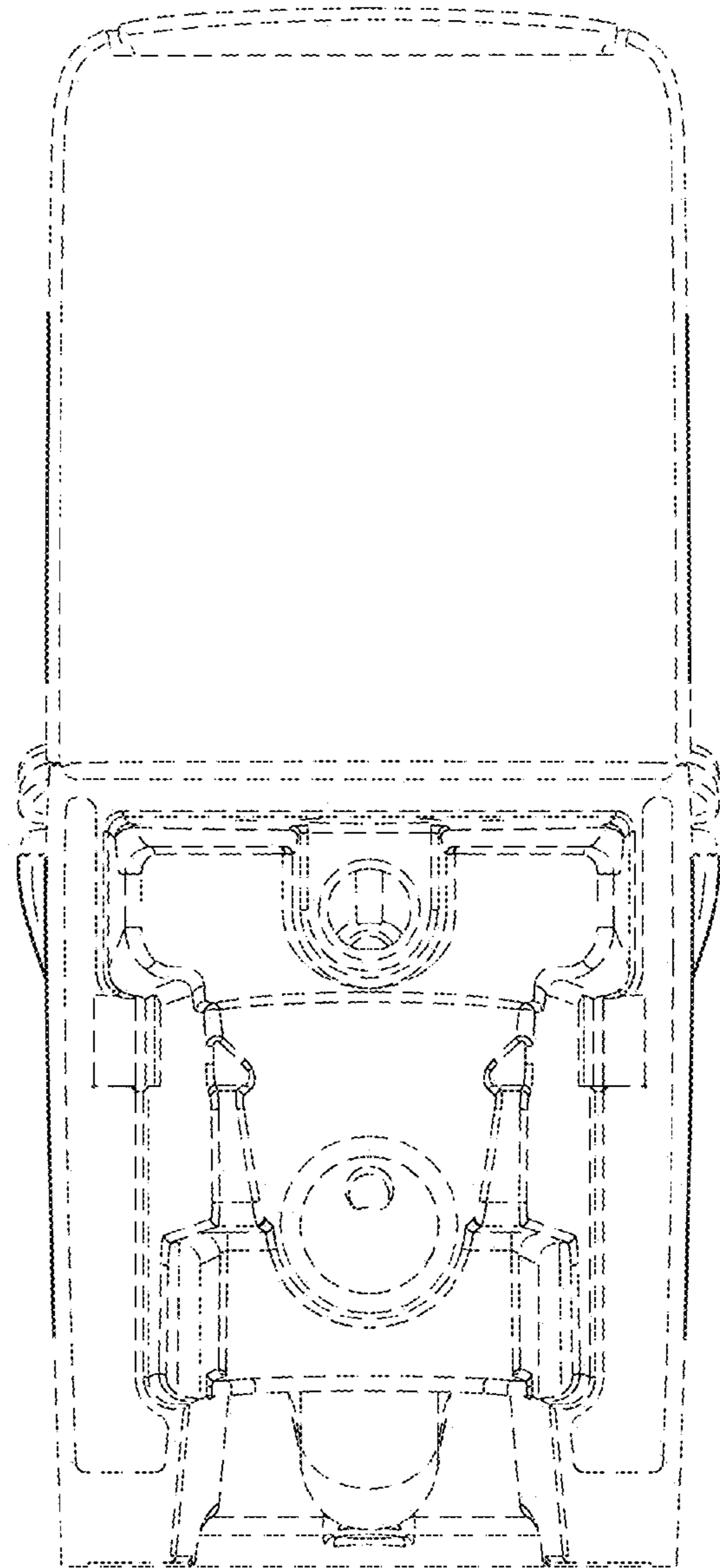


FIG. 3

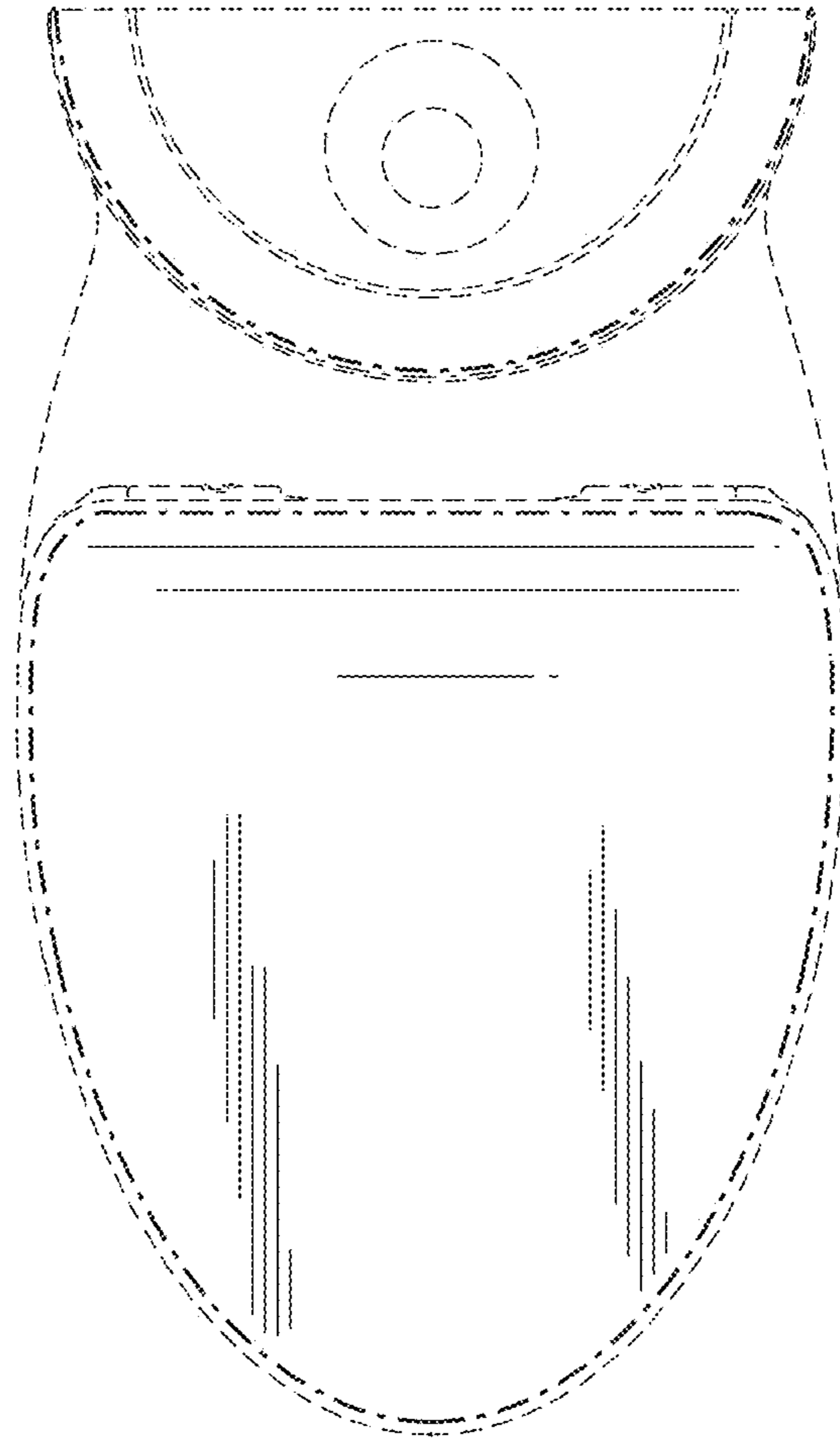


FIG. 4

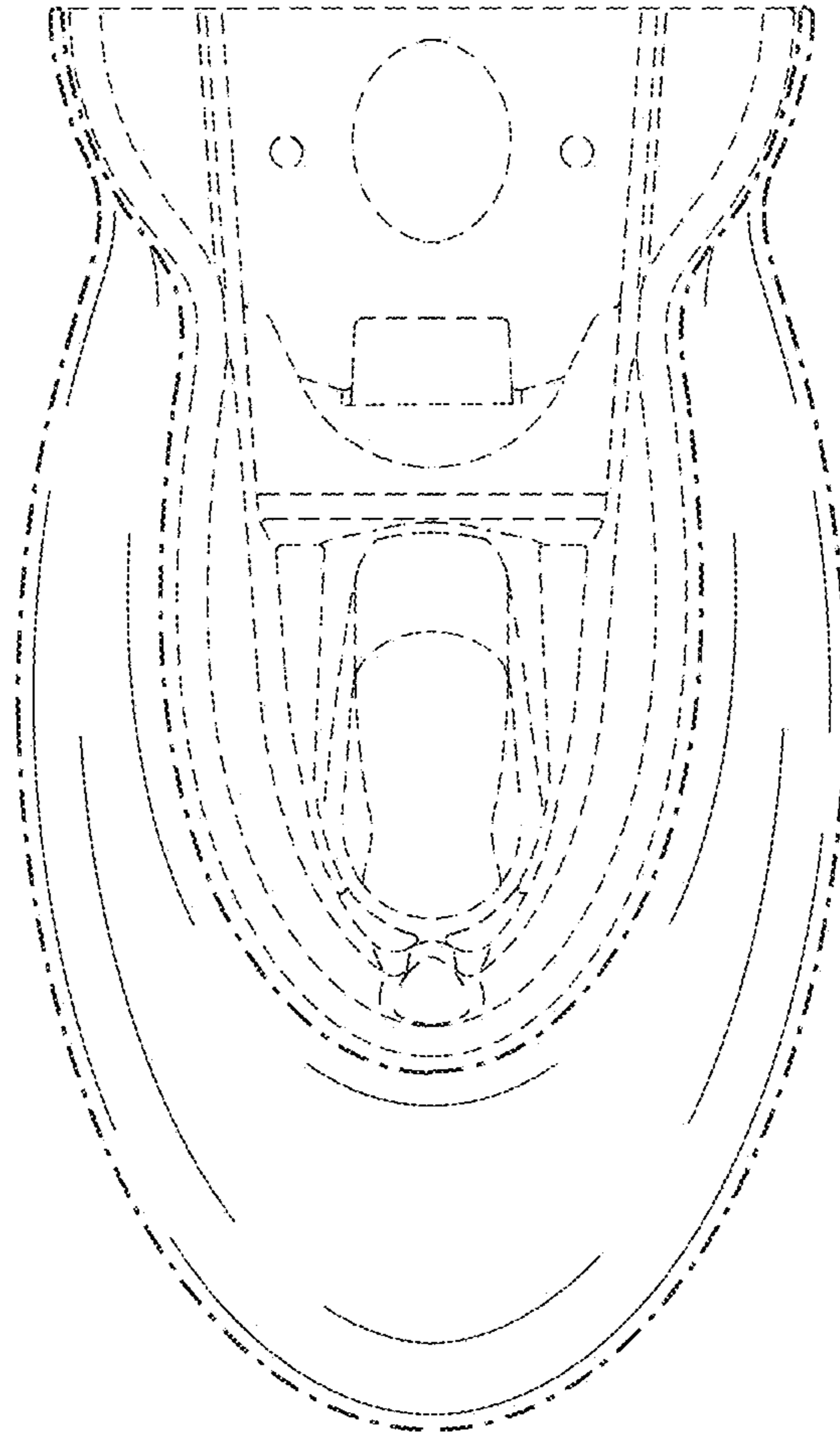


FIG. 5

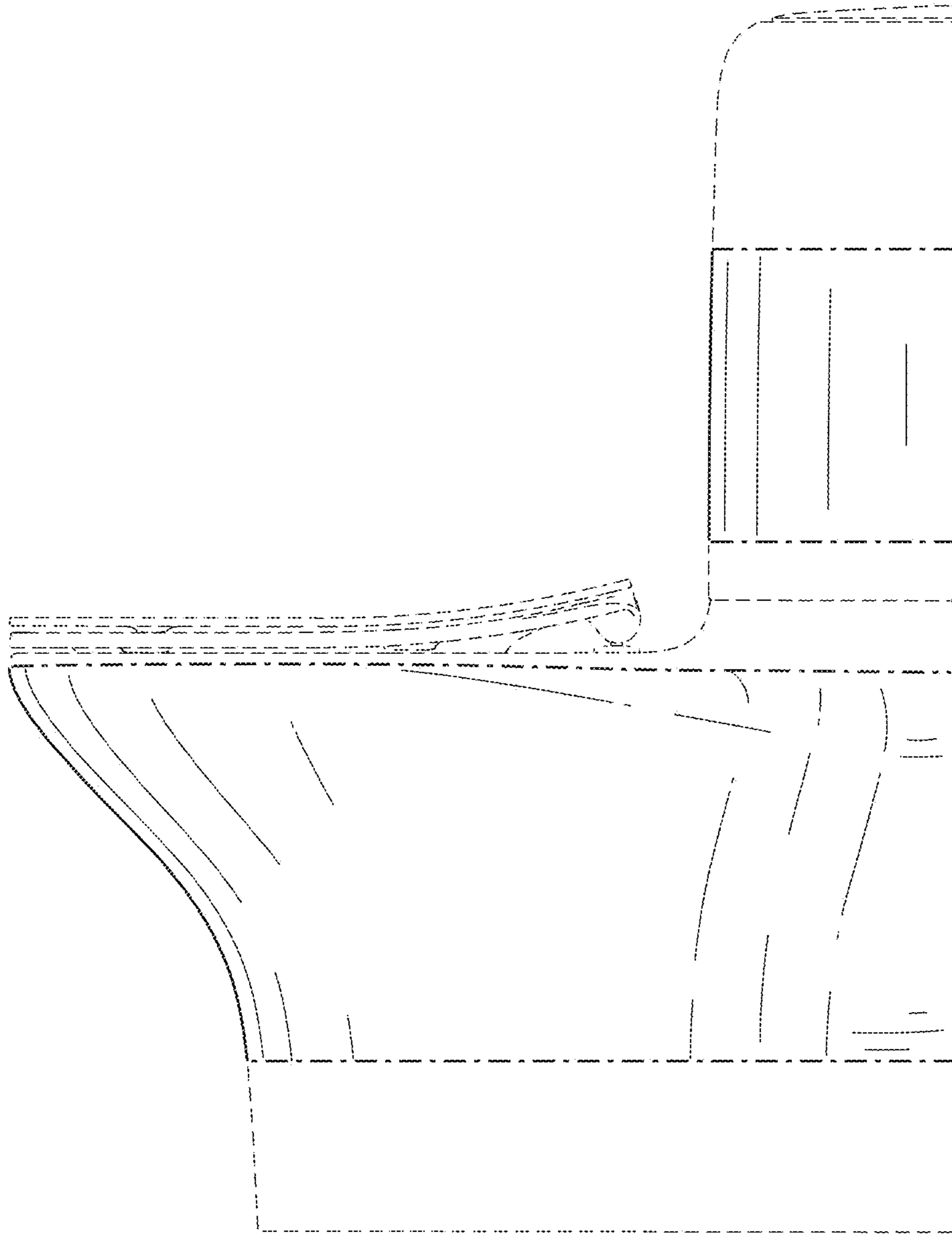


FIG. 6

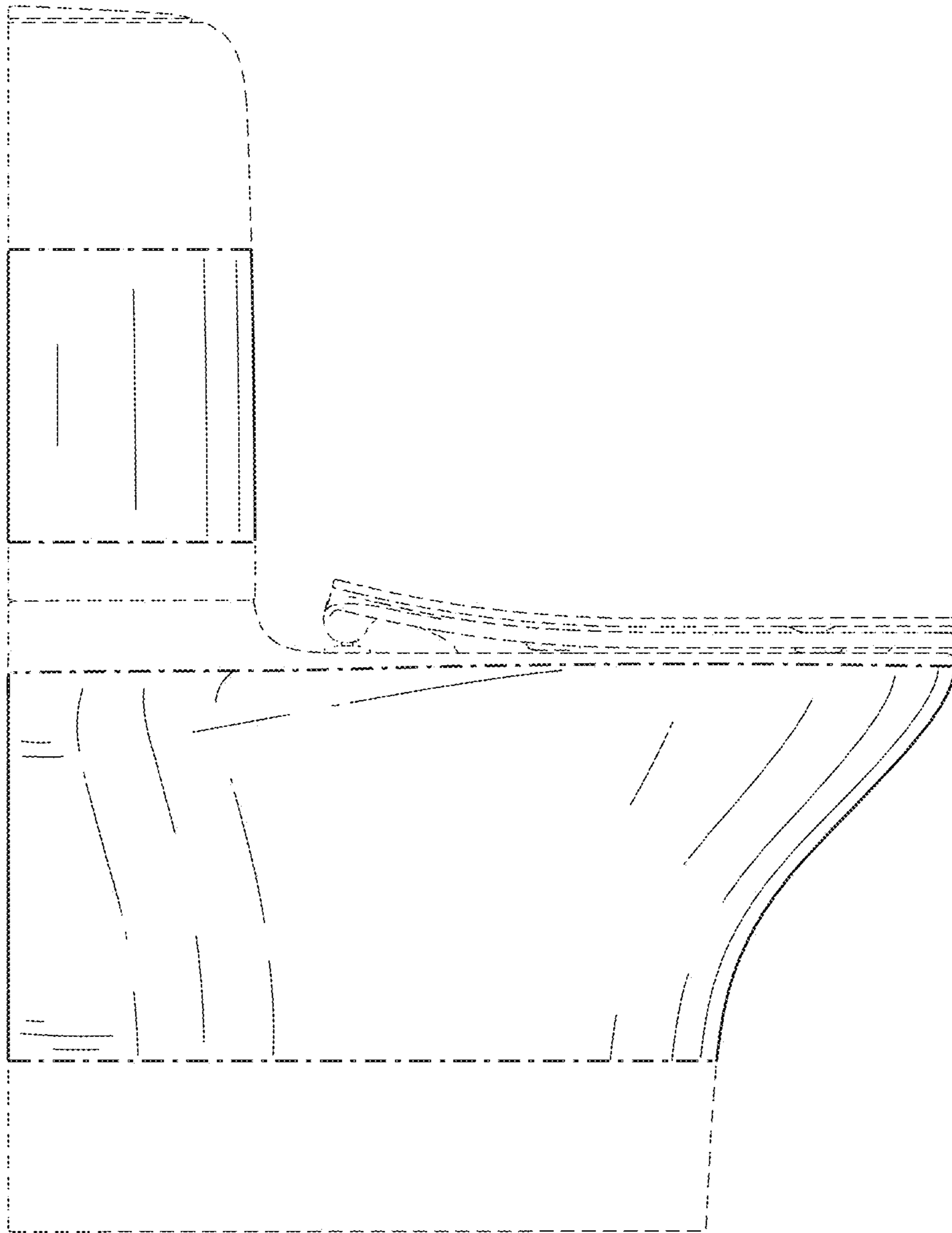


FIG. 7