



US00D893685S

(12) **United States Design Patent** (10) **Patent No.:** **US D893,685 S**
Evans (45) **Date of Patent:** **** Aug. 18, 2020**

(54) **GASKET**

(71) Applicant: **GARLOCK SEALING TECHNOLOGIES, LLC**, Palmyra, NY (US)

(72) Inventor: **Wayne Evans**, Palmyra, NY (US)

(73) Assignee: **Garlock Sealing Technologies, LLC**, Palmyra, NY (US)

(**) Term: **15 Years**

(21) Appl. No.: **29/682,944**

(22) Filed: **Mar. 8, 2019**

(51) **LOC (12) Cl.** **23-01**

(52) **U.S. Cl.**
USPC **D23/269**

(58) **Field of Classification Search**
USPC D23/269, 262, 249, 259; D15/138-139, D15/143; 277/351-360, 504, 563, 572, 277/316, 364-365, 394, 397, 406-407, 277/418, 449, 451-454, 458-460, 491, 277/517, 529, 602, 610, 612, 641-642, 277/644, 648; 285/339, 343
CPC E04D 13/14; F16J 7/00
See application file for complete search history.

(56) **References Cited**

U.S. PATENT DOCUMENTS

126,624 A * 5/1872 Coffee F16J 15/106
277/649
D33,782 S * 12/1900 Merwarth et al. D23/269
D35,534 S * 12/1901 Conlin D23/269
1,574,683 A 2/1926 Ogren et al.

(Continued)

FOREIGN PATENT DOCUMENTS

JP H10132081 A 5/1998
WO 1991004847 A1 4/1991
WO 2001027501 A1 4/2001

OTHER PUBLICATIONS

International Search Report and Written Opinion dated Jul. 31, 2017 for International Patent Application No. PCT/US2017/014867 for Garlock Sealing Technologies, LLC., filed Jan. 25, 2017.

(Continued)

Primary Examiner — Amy C Wierenga

(74) *Attorney, Agent, or Firm* — Perkins Coie LLP

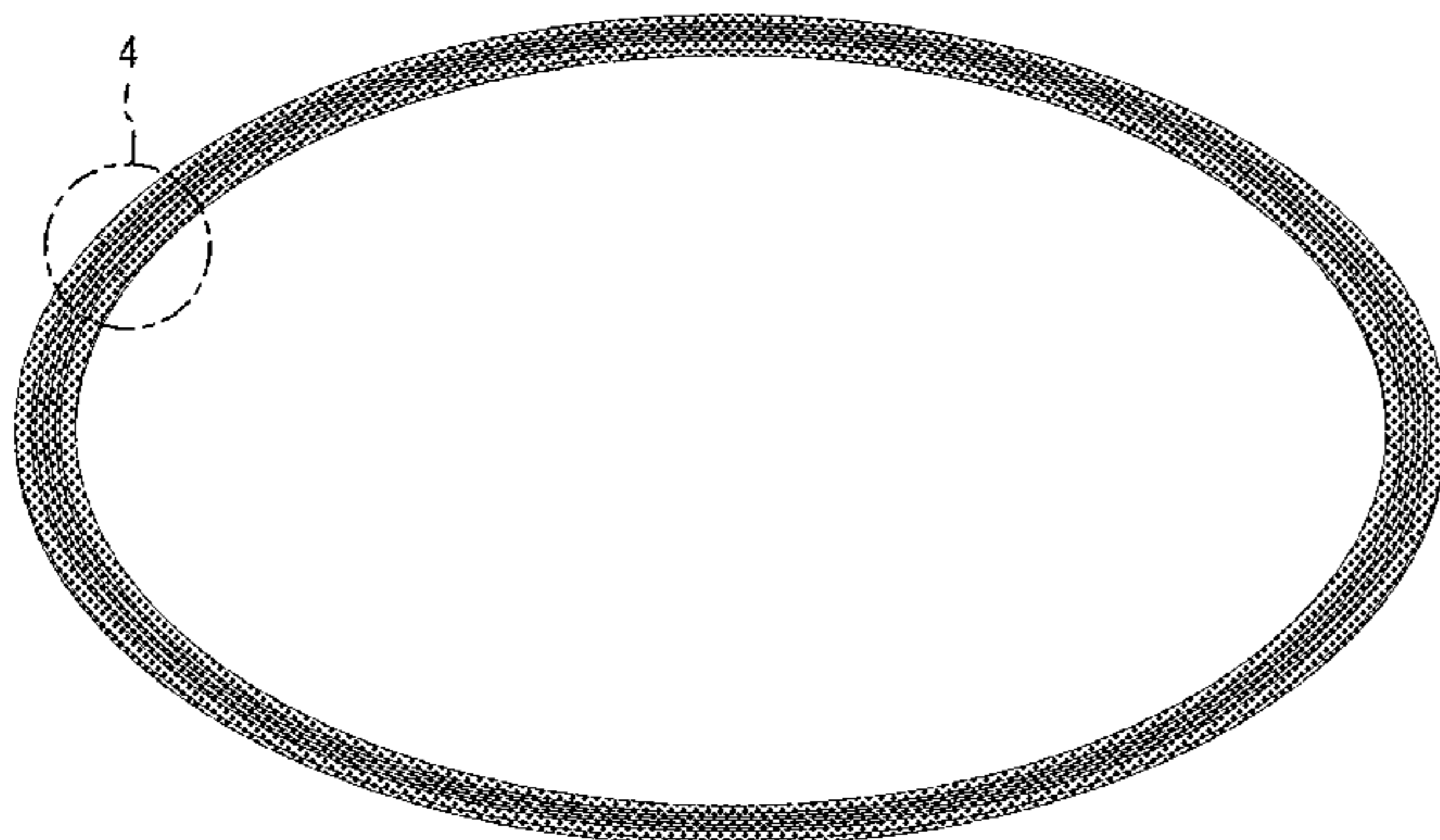
(57) **CLAIM**

The ornamental design for a gasket, as shown and described.

DESCRIPTION

FIG. 1 is a perspective view of a first embodiment of a gasket of the present application; FIG. 2 is a top elevation view thereof; FIG. 3 is a side elevation view thereof; FIG. 4 is an enlarged detail of area 4 of the perspective view of the gasket of FIG. 1; FIG. 5 is an enlarged detail of area 5 of the top elevation view of the gasket of FIG. 2; and FIG. 6 is a cross-sectional view taken from line 6-6 of FIG. 5.
FIG. 7 is a perspective view of a second embodiment of a gasket of the present application; FIG. 8 is a top elevation view thereof; FIG. 9 is a side elevation view thereof; FIG. 10 is an enlarged detail of area 10 of the perspective view of the gasket of FIG. 7; FIG. 11 is an enlarged detail of area 11 of the top elevation view of the gasket of FIG. 8; and, FIG. 12 is a cross-sectional view taken from line 12-12 of FIG. 11.
The dot dash broken line indicates cutoff boundaries for enlarged detailed portion views that form no part of the claim.

1 Claim, 10 Drawing Sheets



(56)

References Cited

U.S. PATENT DOCUMENTS

1,656,628 A * 1/1928 Gits F16G 5/20
474/238
2,307,440 A * 1/1943 Wilson F16L 23/20
277/612
2,841,429 A * 7/1958 McCuistion F16J 15/3236
277/402
3,264,393 A 8/1966 Merrill
4,388,259 A * 6/1983 Jewell B29C 61/04
264/153
4,406,847 A 9/1983 O'Neal et al.
4,421,329 A * 12/1983 Jelinek F16J 15/3272
277/560
4,990,296 A 2/1991 Pitolaj
5,486,010 A 1/1996 Hamilton et al.
5,551,706 A 9/1996 Barna et al.
5,697,390 A 12/1997 Garrison et al.

5,749,586 A * 5/1998 Abe C09K 3/1009
277/608
5,964,465 A 10/1999 Mills et al.
6,260,854 B1 * 7/2001 Lemon F16J 15/061
277/609
D614,271 S * 4/2010 Weston D23/269
8,852,486 B2 * 10/2014 Tanner F16J 15/102
264/322
2007/0001402 A1 * 1/2007 Peet F16J 15/061
277/551
2015/0202233 A1 7/2015 Subramanian et al.

OTHER PUBLICATIONS

International Preliminary Report on Patentability dated Aug. 9, 2018 for International Patent Application No. PCT/US2017/014867 for Garlock Sealing Technologies, LLC., filed Jan. 25, 2017.

* cited by examiner

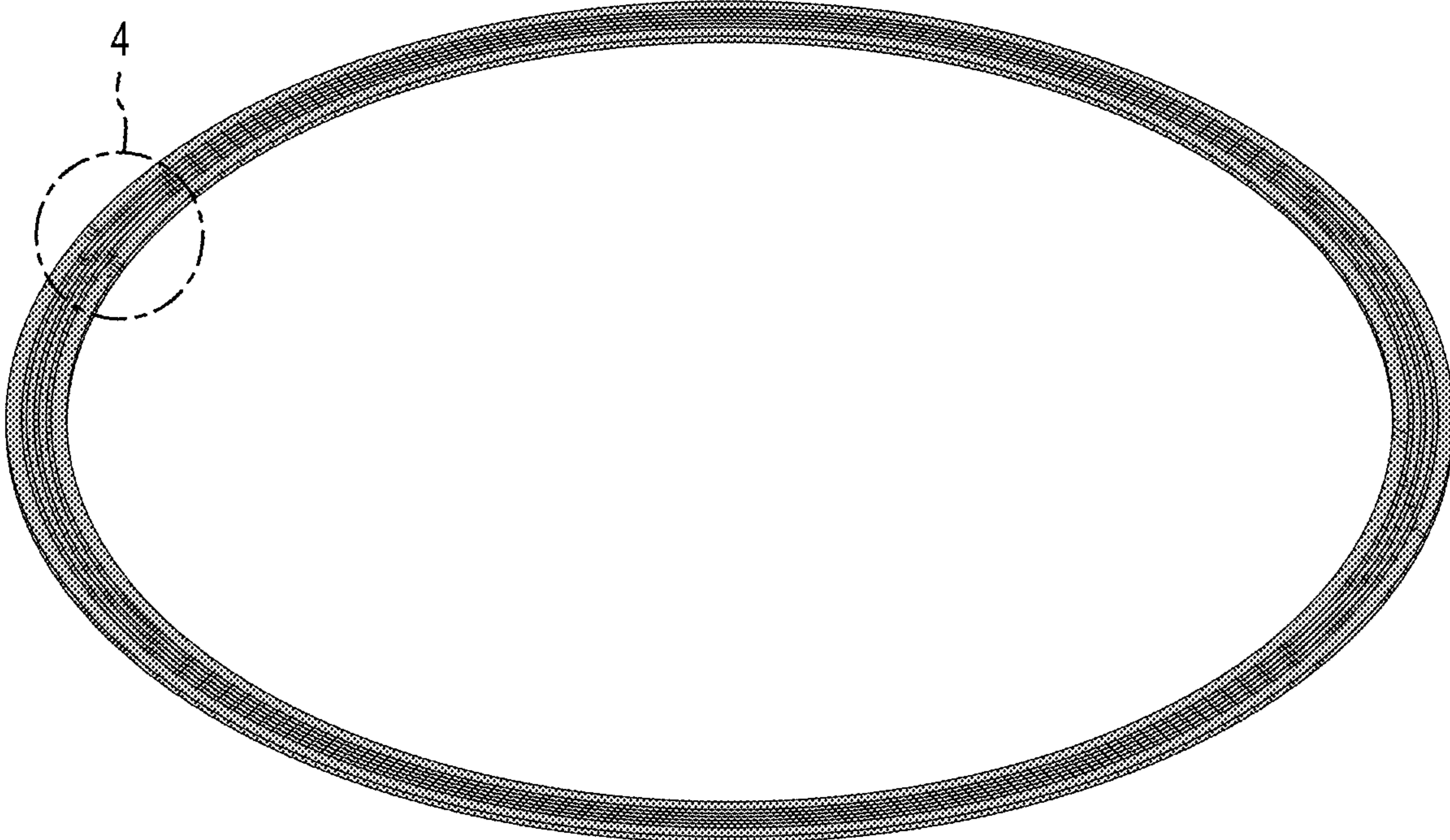


FIG. 1

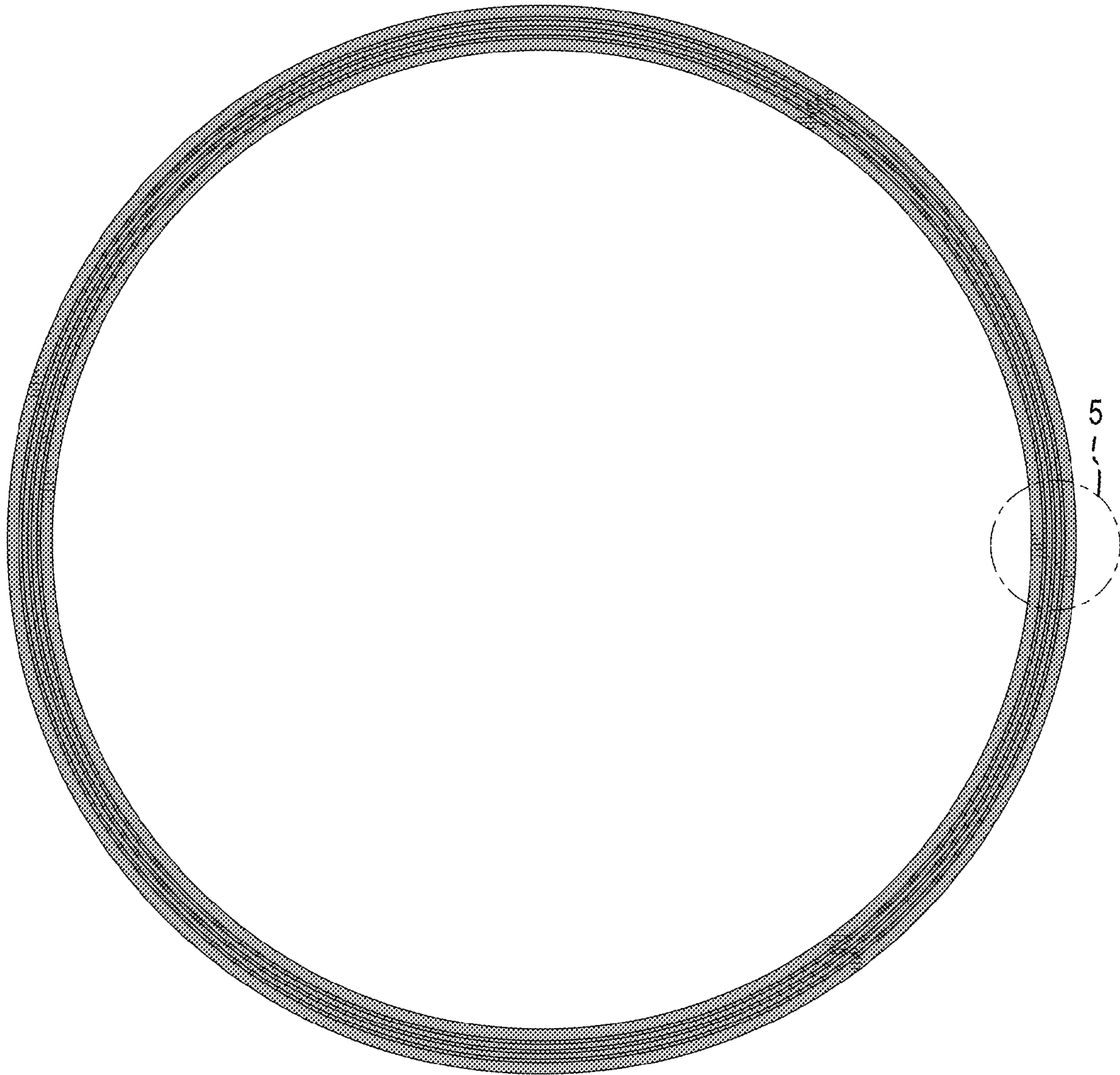


FIG. 2



FIG. 3

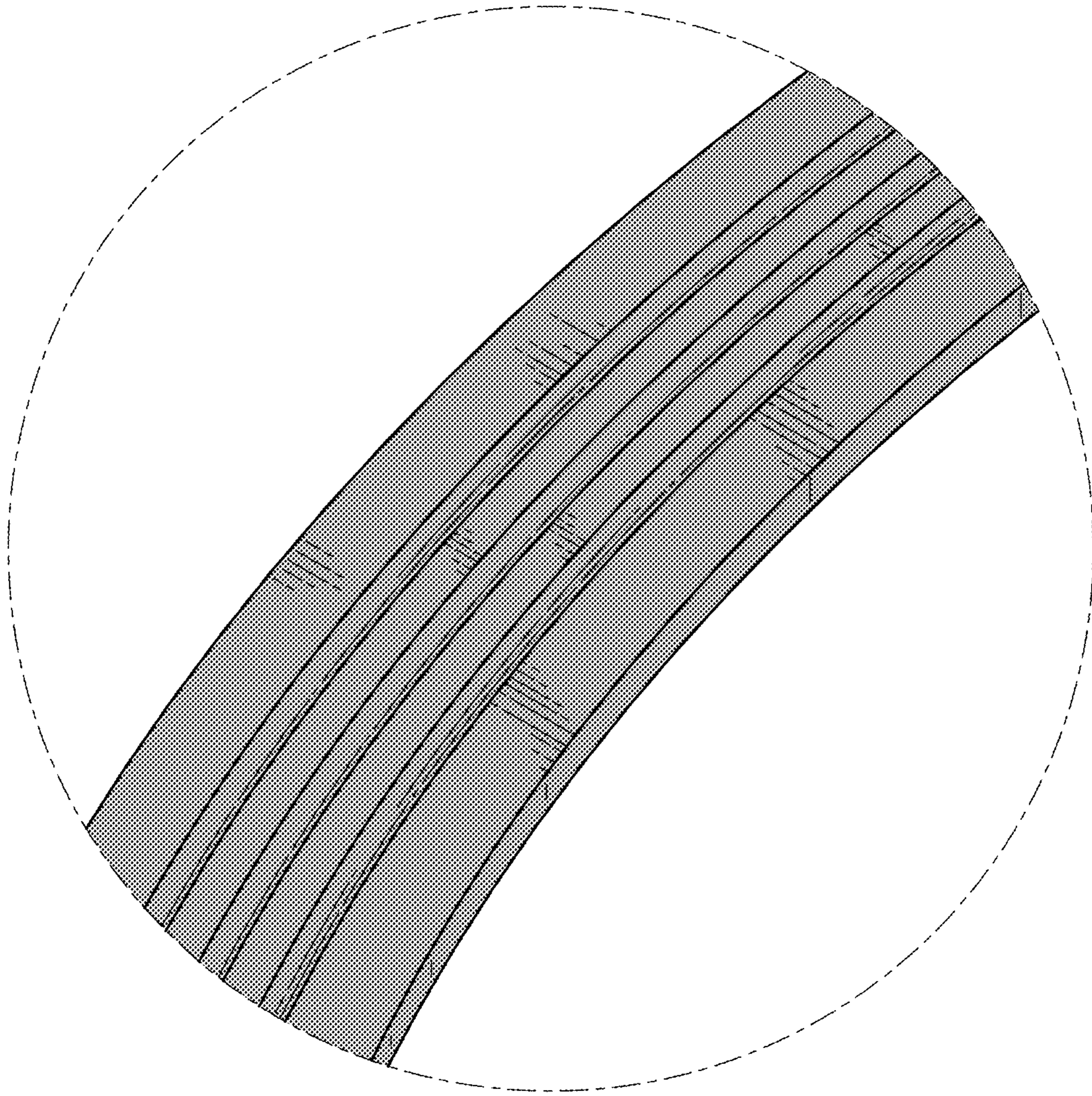


FIG. 4

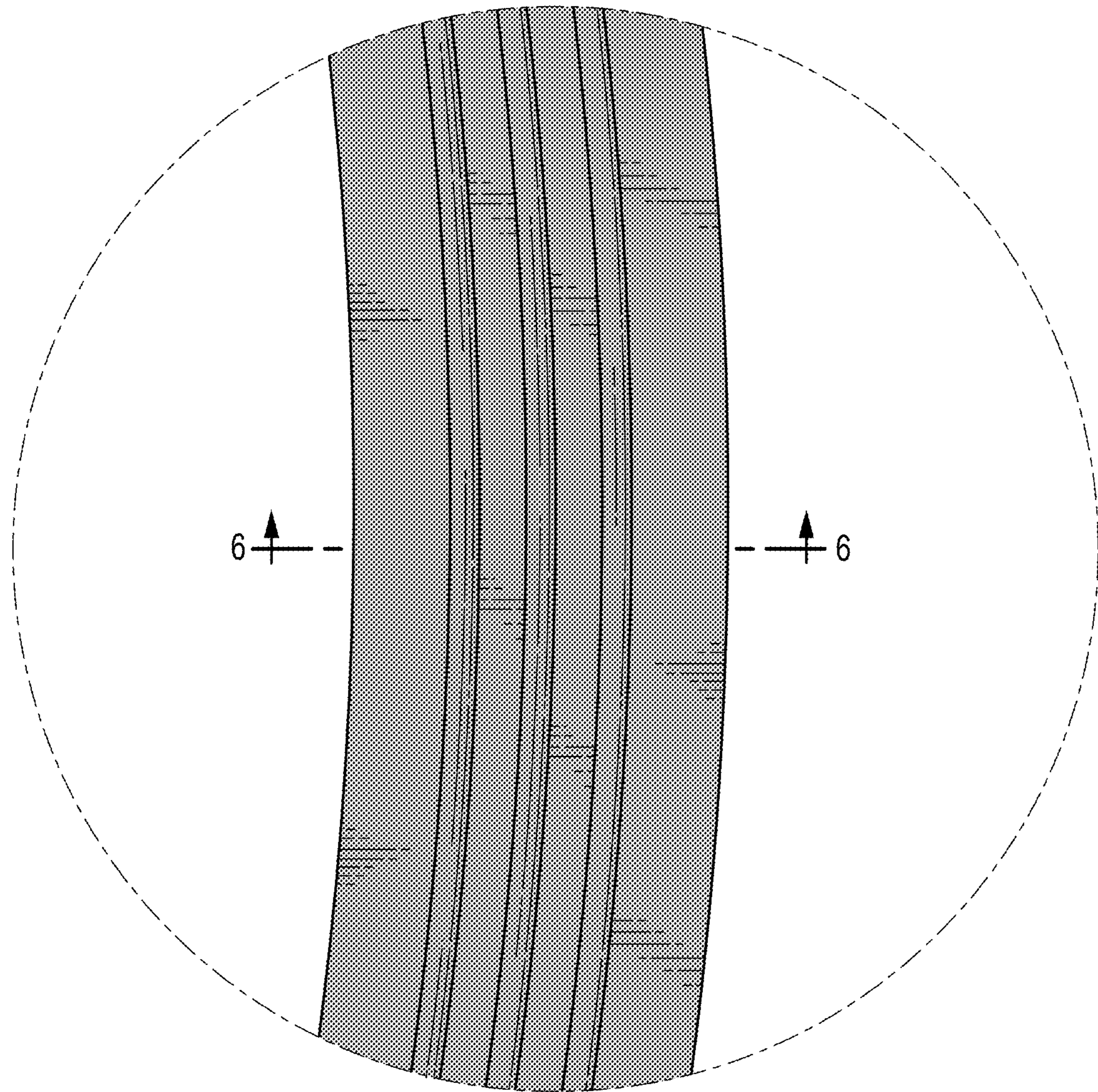


FIG. 5

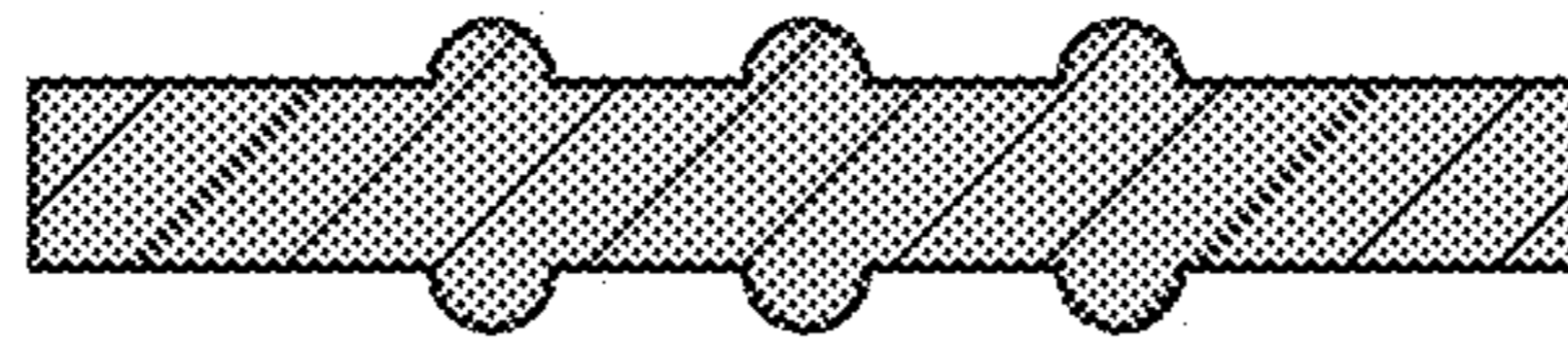


FIG. 6

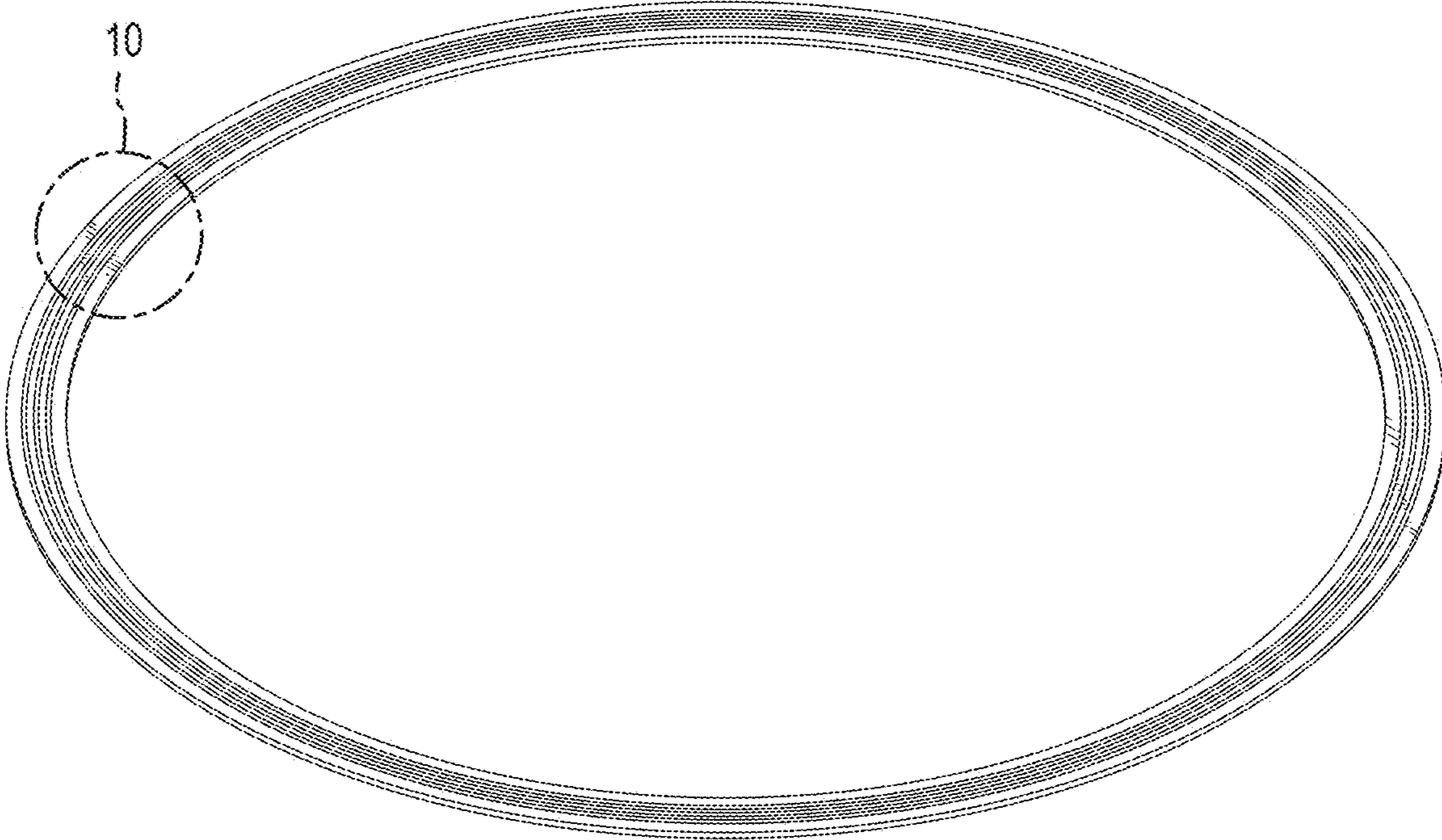


FIG. 7

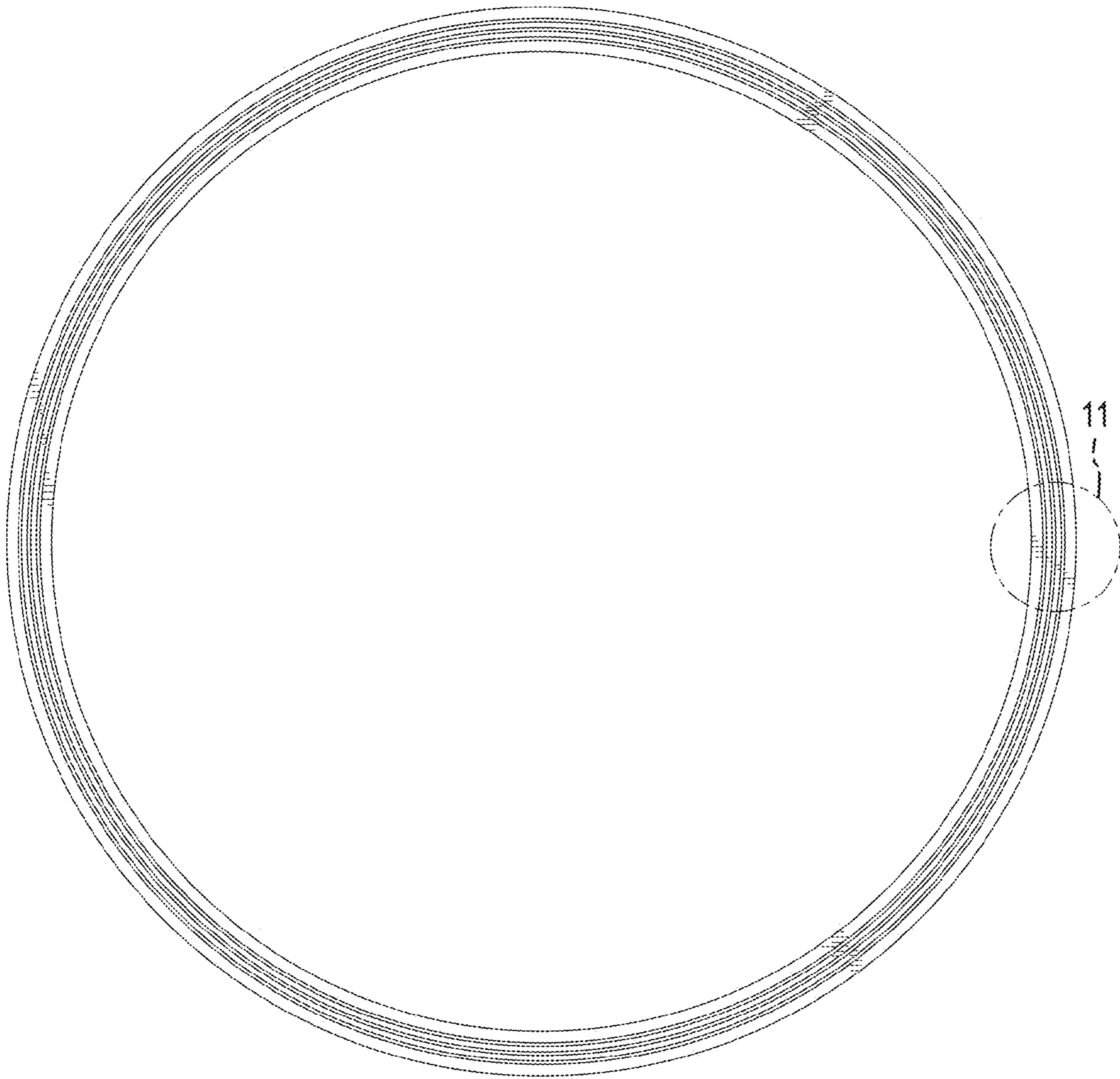


FIG. 8

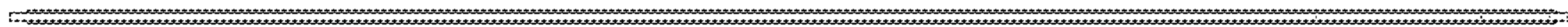


FIG. 9

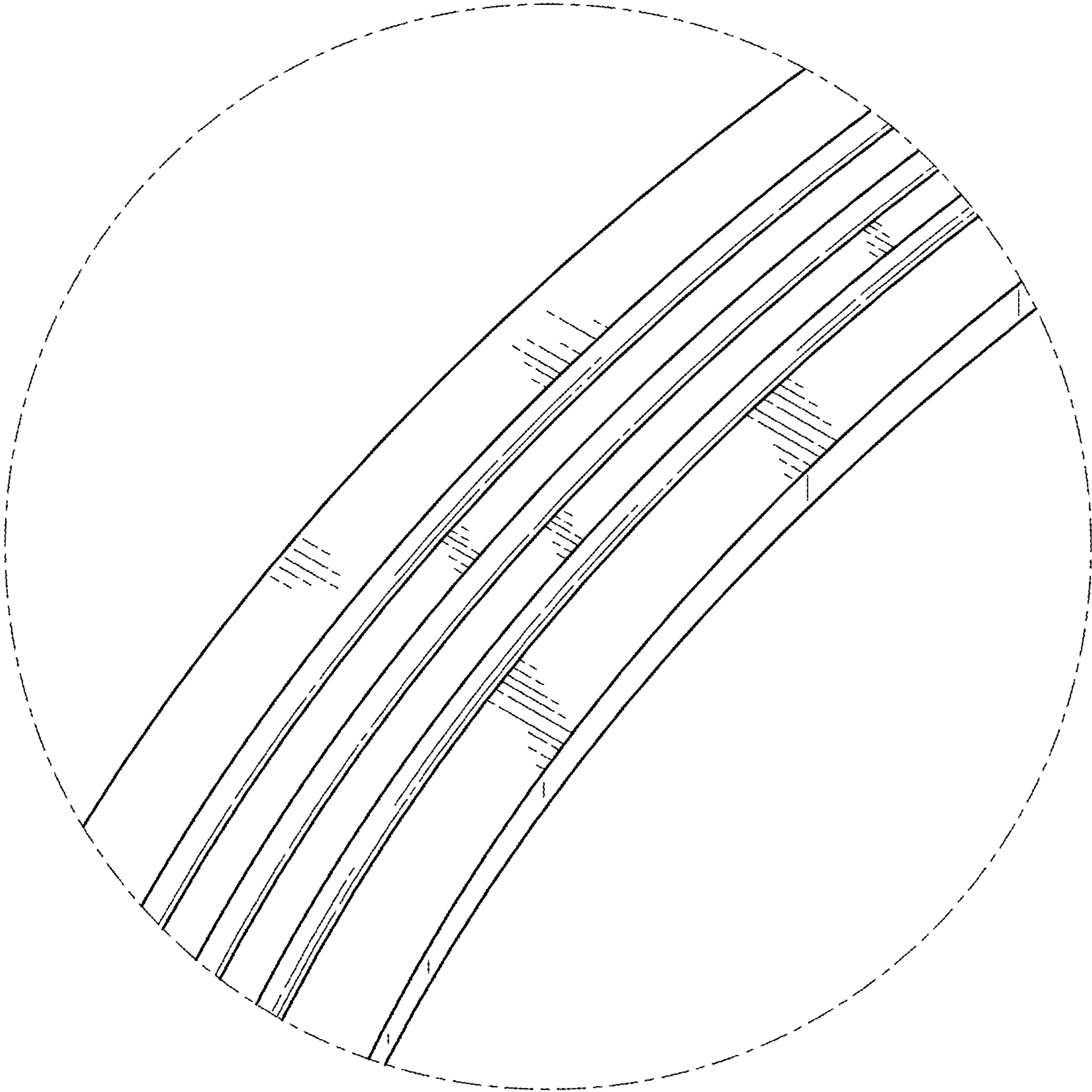


FIG. 10

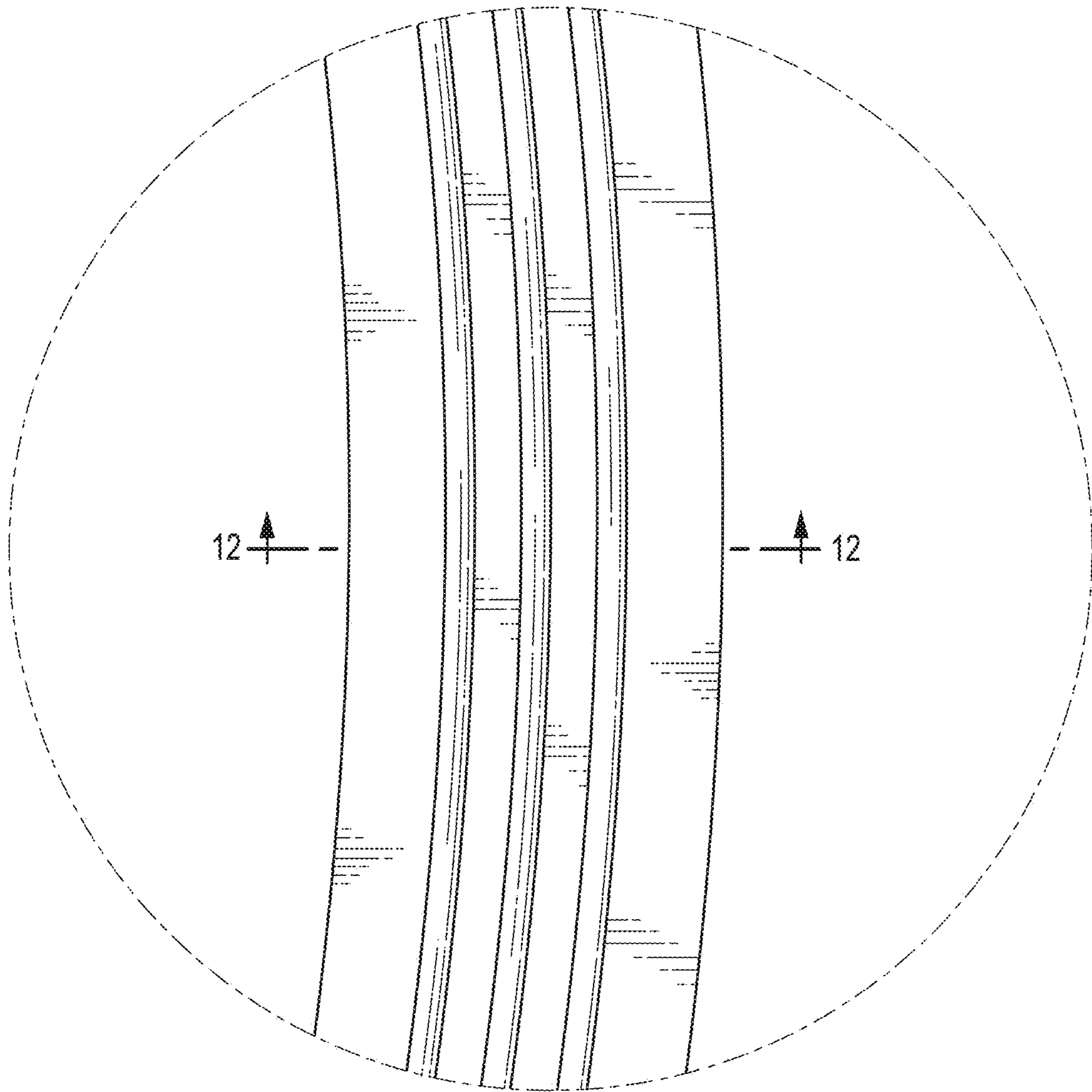


FIG. 11

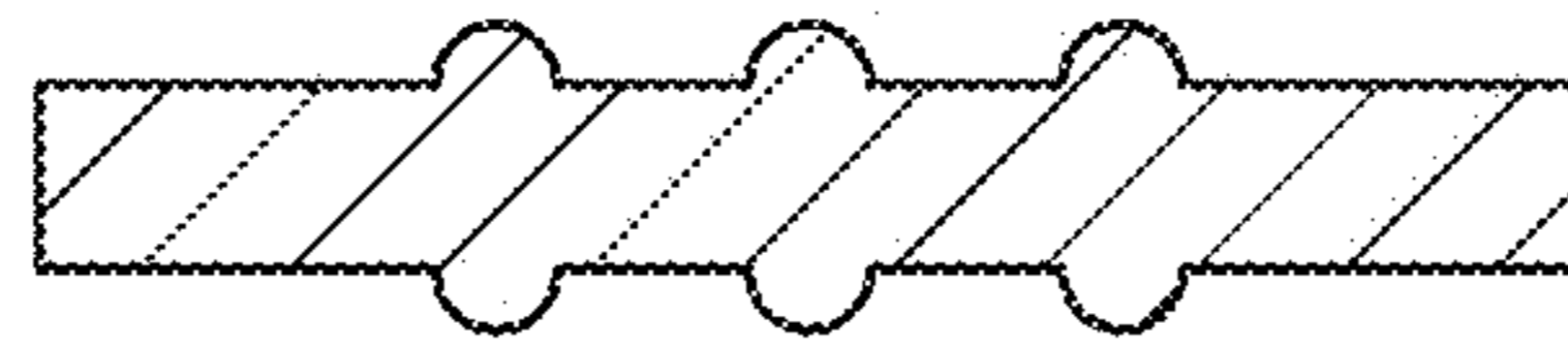


FIG. 12