



US00D893683S

(12) **United States Design Patent**
Dong

(10) **Patent No.:** **US D893,683 S**

(45) **Date of Patent:** **** Aug. 18, 2020**

(54) **ELBOW FITTING**

(71) Applicant: **Yihao Dong**, Zhejiang (CN)

(72) Inventor: **Yihao Dong**, Zhejiang (CN)

(73) Assignee: **Ningbo Haoqi Metal Products Co., Ltd.**, Ningbo, Zhejiang

(**) Term: **15 Years**

(21) Appl. No.: **29/654,704**

(22) Filed: **Jun. 26, 2018**

(51) **LOC (12) Cl.** **23-01**

(52) **U.S. Cl.**
USPC **D23/263; D23/259**

(58) **Field of Classification Search**
USPC D23/259, 262-266, 245, 213, 233, 235;
285/179, 179.1-179.2, 180-183;
137/315.23, 798; 138/109-110, 155,
138/96 T
CPC F16L 37/252; F16L 43/00
See application file for complete search history.

(56) **References Cited**

U.S. PATENT DOCUMENTS

7,021,672 B2 * 4/2006 Ericksen F16L 37/008
285/181
D598,985 S * 8/2009 Smith D23/259

D634,820 S * 3/2011 Leroyer D23/263
D651,695 S * 1/2012 Johnson D23/262
D652,122 S * 1/2012 Bonhag D23/263
D676,941 S * 2/2013 Kluss D23/262
D700,683 S * 3/2014 Atwell D23/235
D729,909 S * 5/2015 Castrigno D23/263
D741,458 S * 10/2015 Guest D23/262
D746,958 S * 1/2016 Gledhill D23/262
D796,010 S * 8/2017 Downie D23/263
D804,618 S * 12/2017 Hurley D23/259
2003/0146620 A1 * 8/2003 Young F16L 27/093
285/179

* cited by examiner

Primary Examiner — Amy C Wierenga

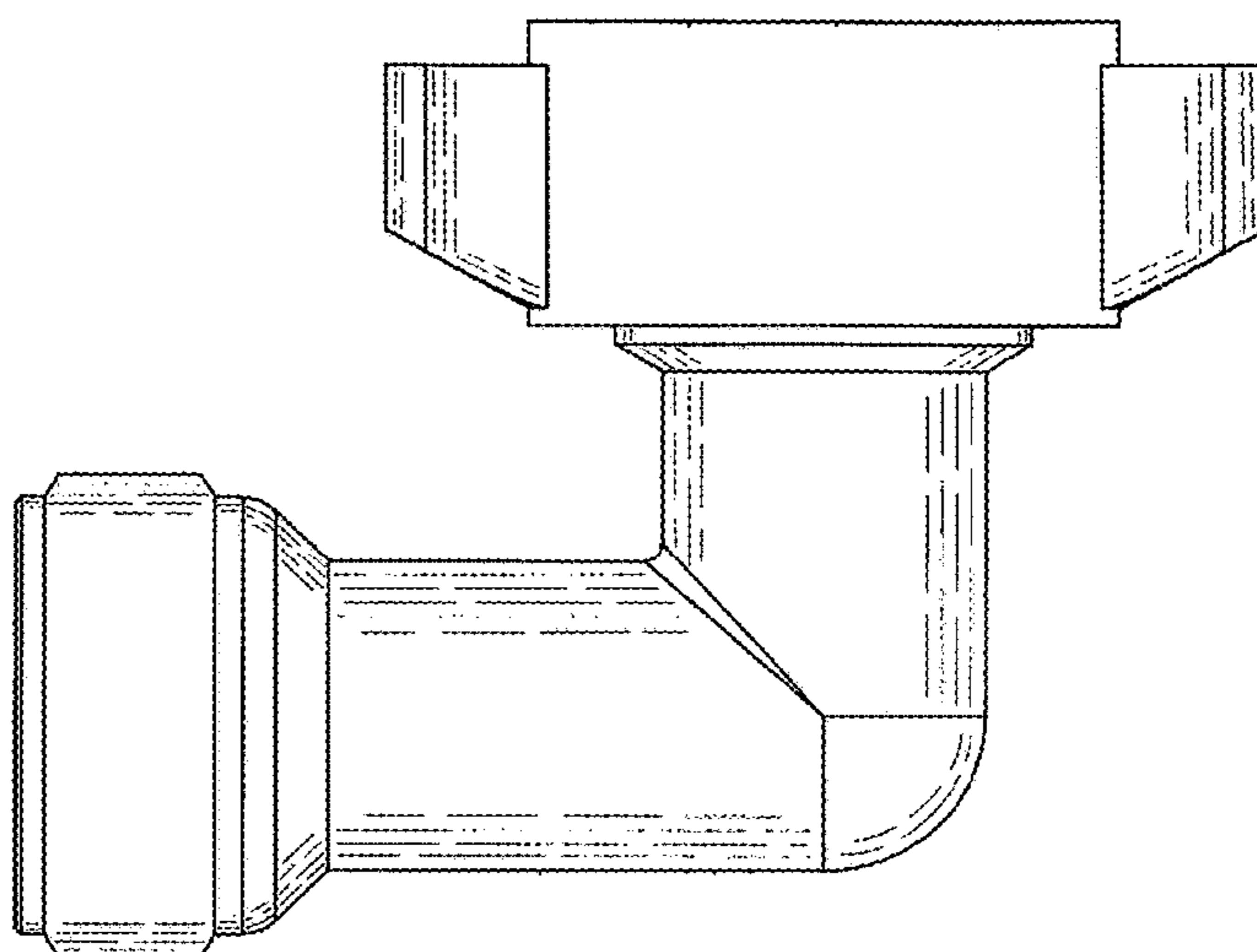
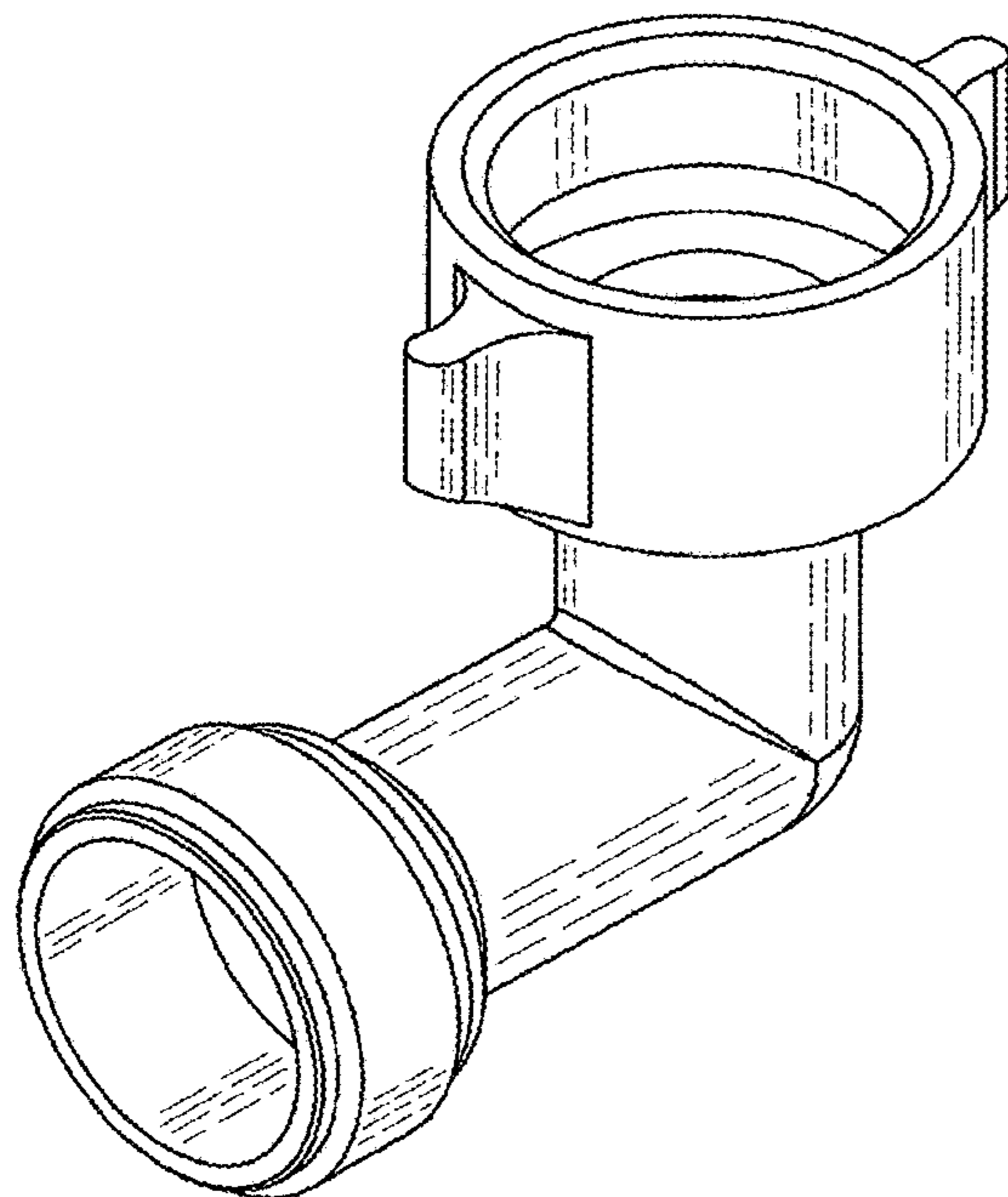
(57) **CLAIM**

I claim the ornamental design for an elbow fitting, as shown and described.

DESCRIPTION

FIG. 1 is a perspective view of an elbow fitting showing my new design;
FIG. 2 is a front elevation view thereof;
FIG. 3 is a rear elevation view thereof;
FIG. 4 is a left side elevation view thereof;
FIG. 5 is a right side elevation view thereof;
FIG. 6 is a top plan view thereof; and,
FIG. 7 is a bottom plan view thereof.

1 Claim, 7 Drawing Sheets



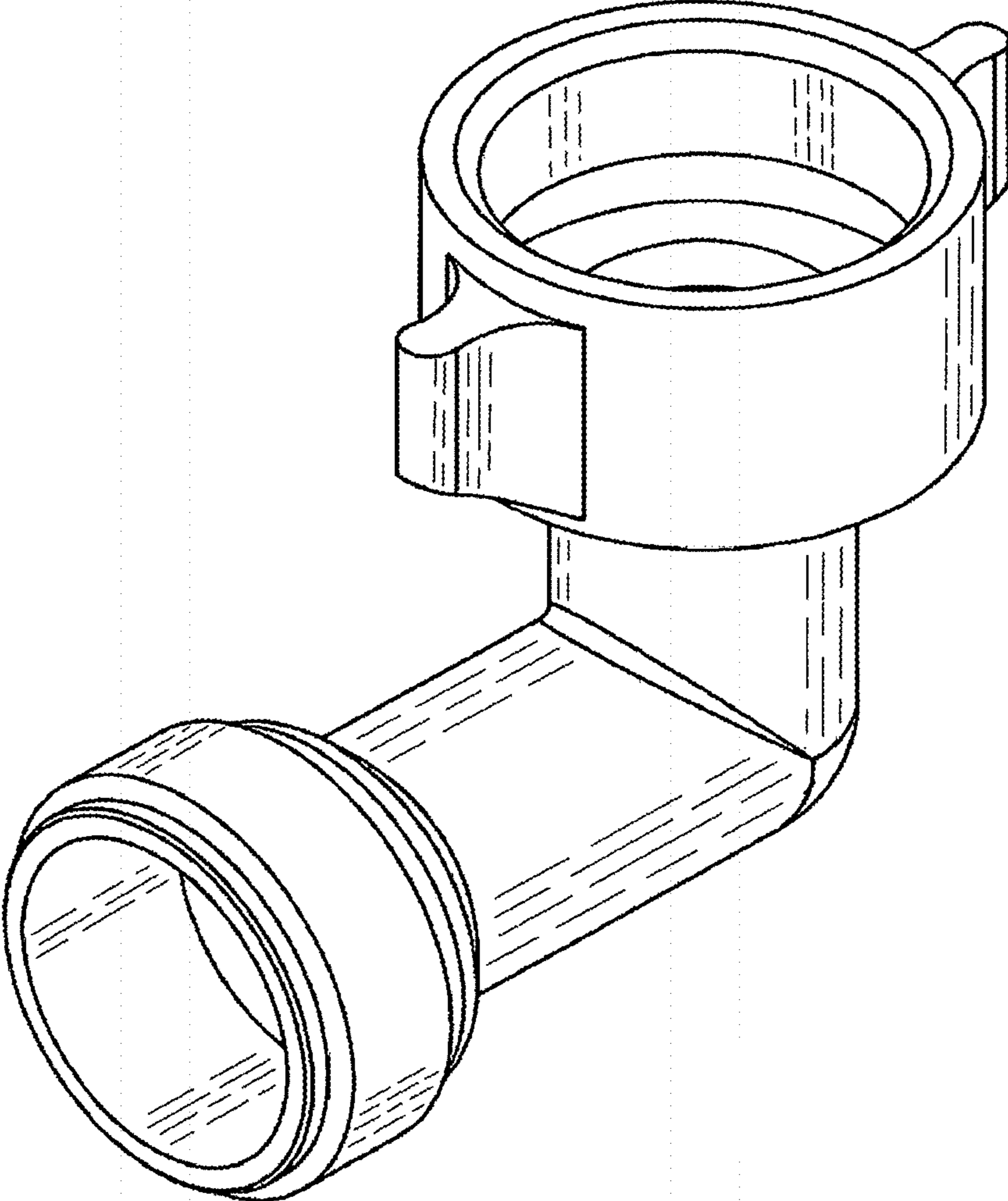


FIG.1

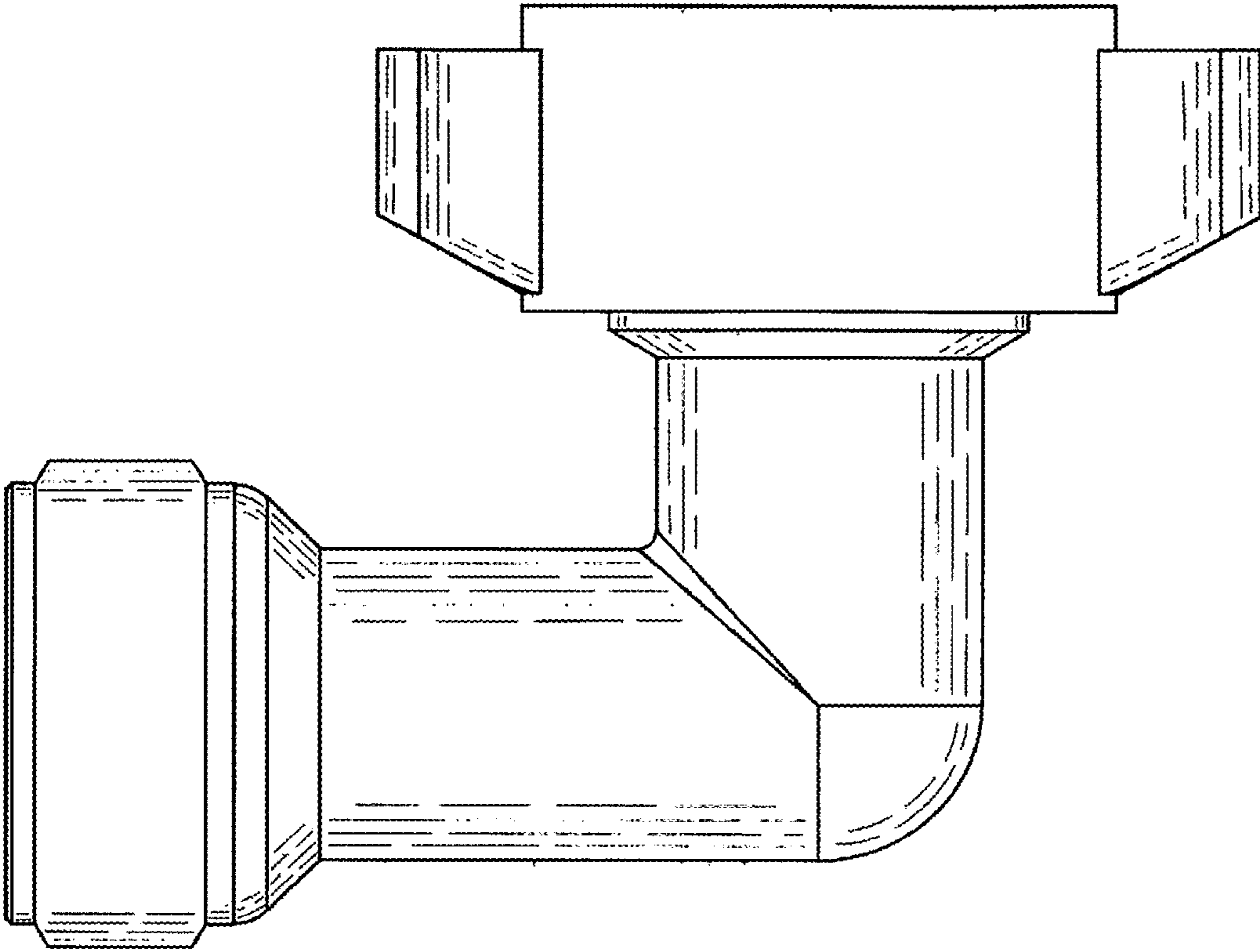


FIG.2

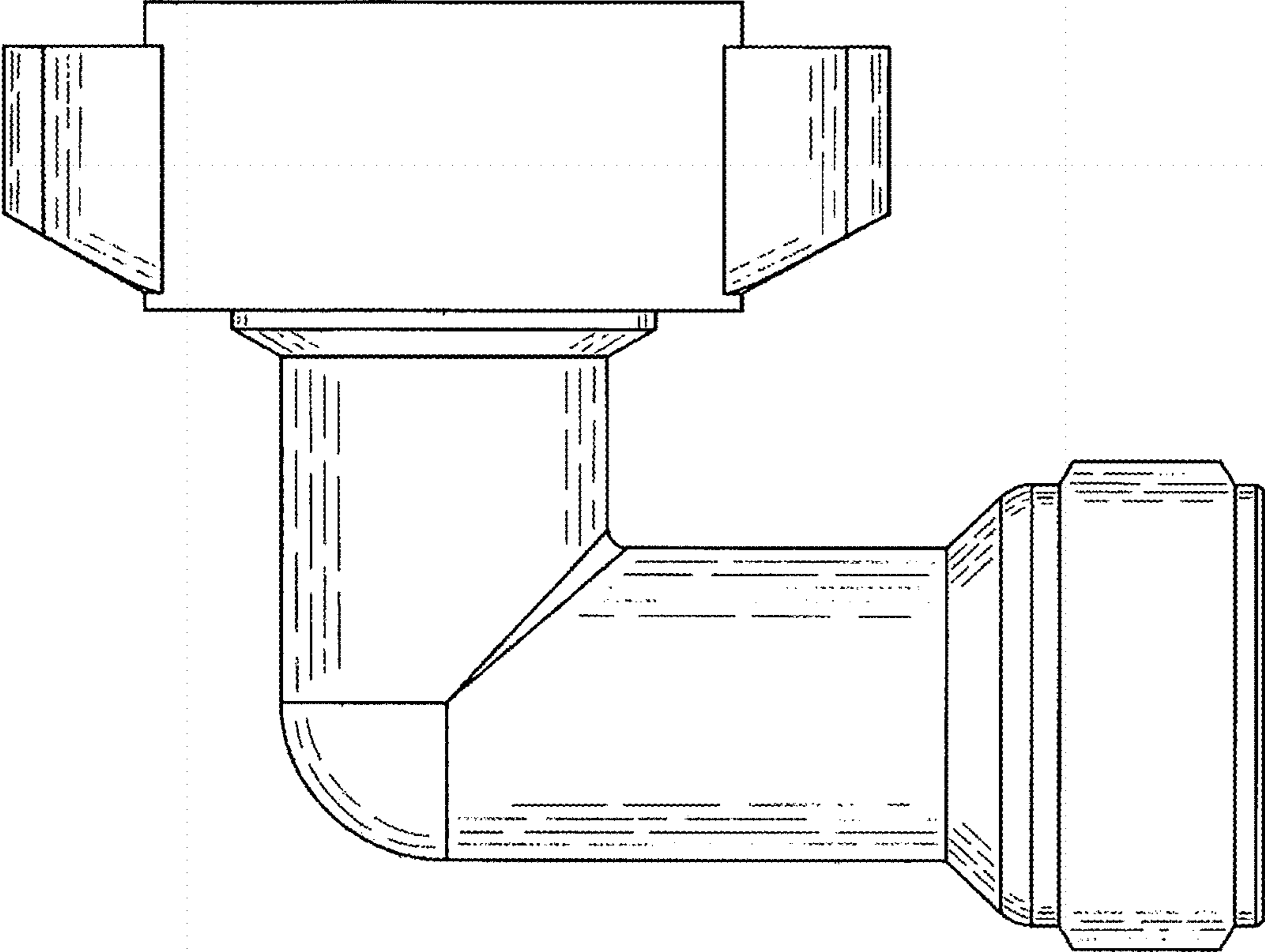


FIG.3

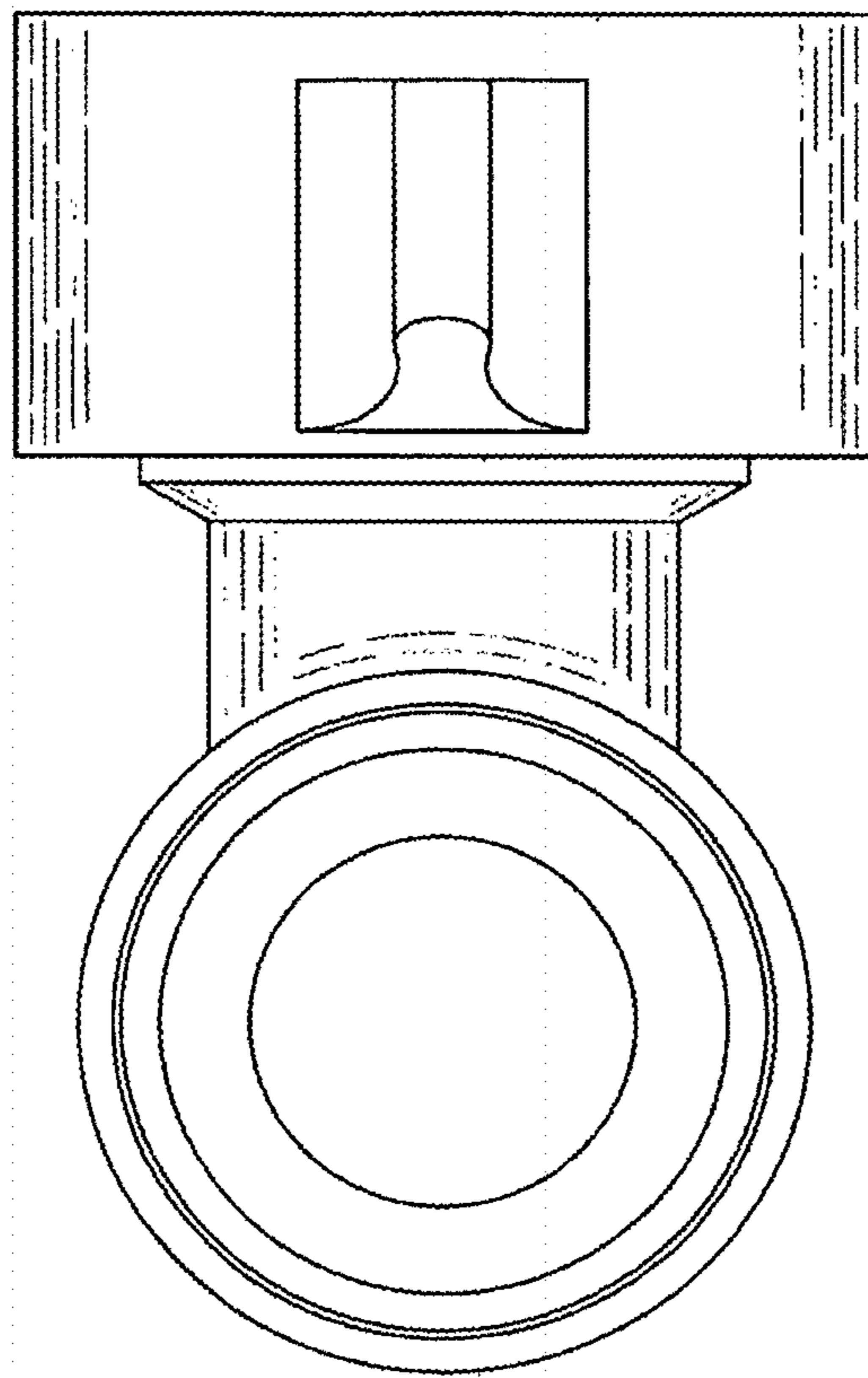


FIG.4

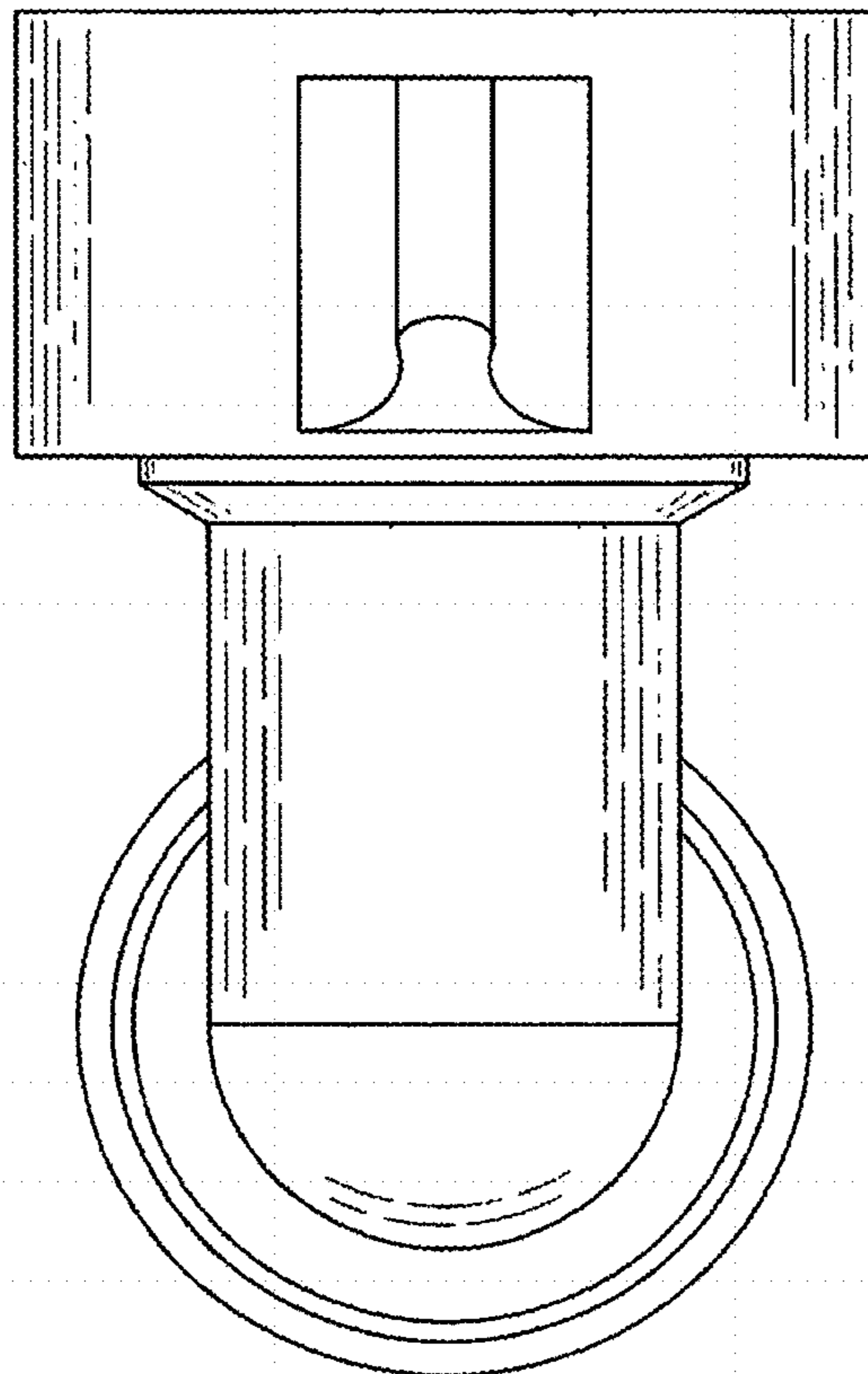


FIG.5

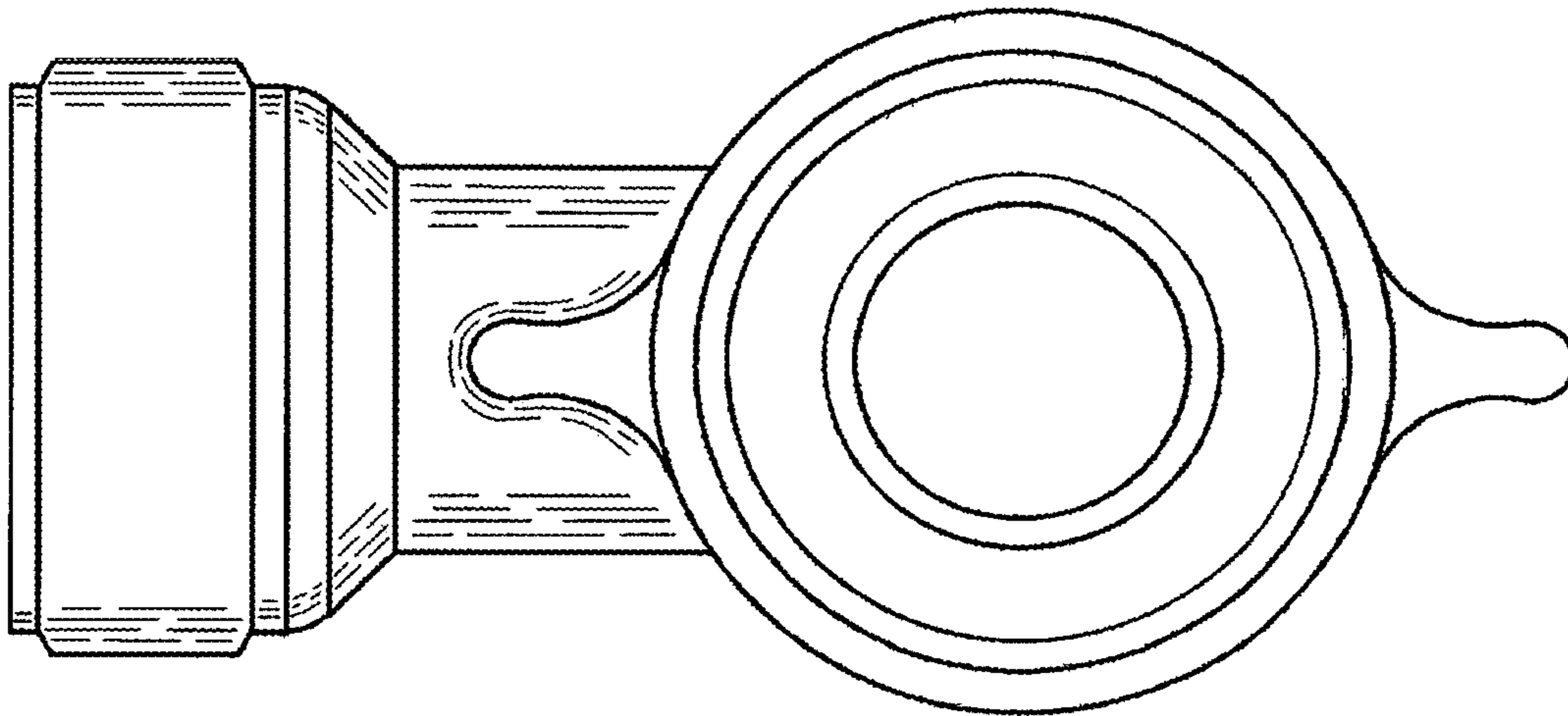


FIG.6

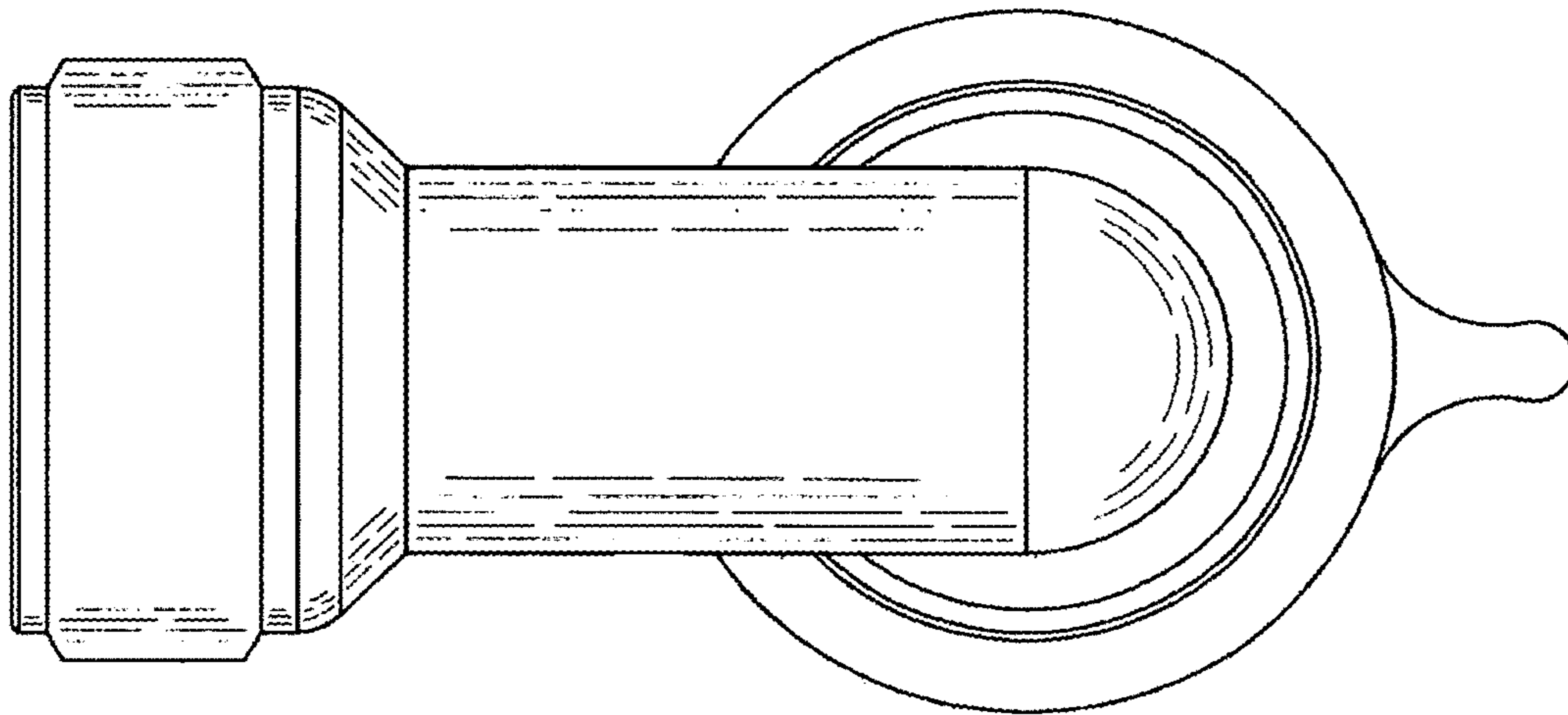


FIG. 7