



US00D893680S

(12) **United States Design Patent**
Lazarini

(10) **Patent No.:** **US D893,680 S**

(45) **Date of Patent:** **** Aug. 18, 2020**

(54) **FAUCET SPOUT**

(71) Applicant: **DELTA FAUCET COMPANY,**
Indianapolis, IN (US)

(72) Inventor: **Alejandra Lazarini,** Carmel, IN (US)

(73) Assignee: **DELTA FAUCET COMPANY,**
Indianapolis, IN (US)

(**) Term: **15 Years**

(21) Appl. No.: **29/641,341**

(22) Filed: **Mar. 21, 2018**

(51) **LOC (12) Cl.** **23-01**

(52) **U.S. Cl.**
USPC **D23/257**

(58) **Field of Classification Search**
USPC D23/238–243, 249, 250–251, 252–255,
D23/257, 309; D8/300, 307, 308
CPC ... Y10T 137/9464; E03C 1/04; E03C 1/0412;
E03C 1/0404
See application file for complete search history.

(56) **References Cited**

U.S. PATENT DOCUMENTS

D297,758 S * 9/1988 Paul D23/252
D302,203 S * 7/1989 Paul D23/257
D303,565 S * 9/1989 Paul D23/242
D325,773 S * 4/1992 Paul D23/255

D352,768 S * 11/1994 Paul D23/257
D505,715 S * 5/2005 Kennard D23/252
D522,092 S * 5/2006 Hoernig D23/238
D682,993 S * 5/2013 Mendoza D23/242
D701,592 S * 3/2014 Zhenqiang D23/238
D767,730 S * 9/2016 Eads D23/252

FOREIGN PATENT DOCUMENTS

CA 107219 * 6/2004

* cited by examiner

Primary Examiner — Marissa J Cash

Assistant Examiner — Samantha N Wood

(74) *Attorney, Agent, or Firm* — Nirav D. Parikh; Edgar
A. Zarins

(57) **CLAIM**

The ornamental design for a faucet spout, as shown and
described.

DESCRIPTION

FIG. 1 is a front perspective view of a faucet spout showing
my new design;

FIG. 2 is a rear perspective view thereof;

FIG. 3 is a front elevational view thereof;

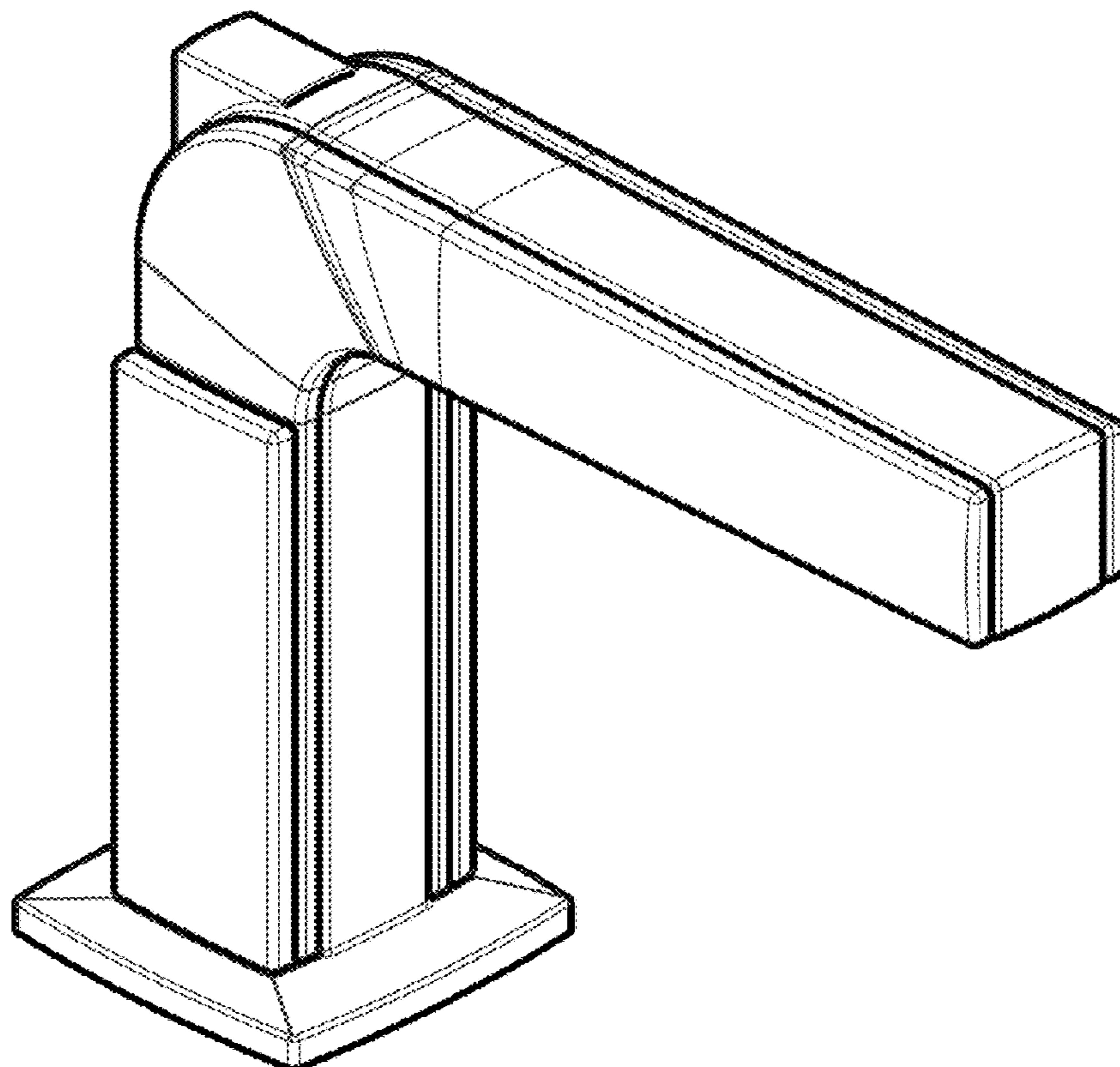
FIG. 4 is a right side view thereof;

FIG. 5 is a rear view thereof;

FIG. 6 is a left side view thereof; and,

FIG. 7 is a top plan view thereof.

1 Claim, 4 Drawing Sheets



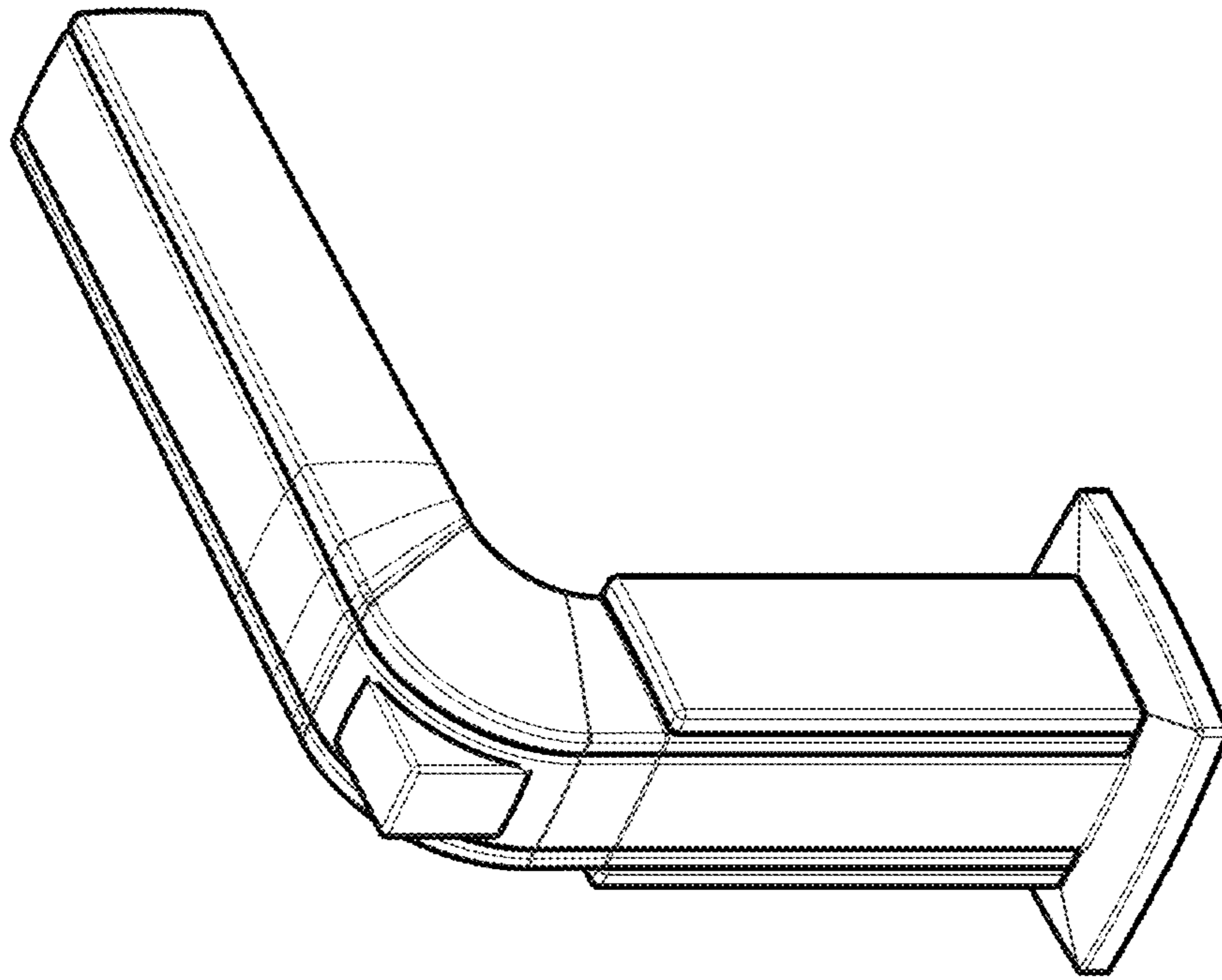


Fig. 2

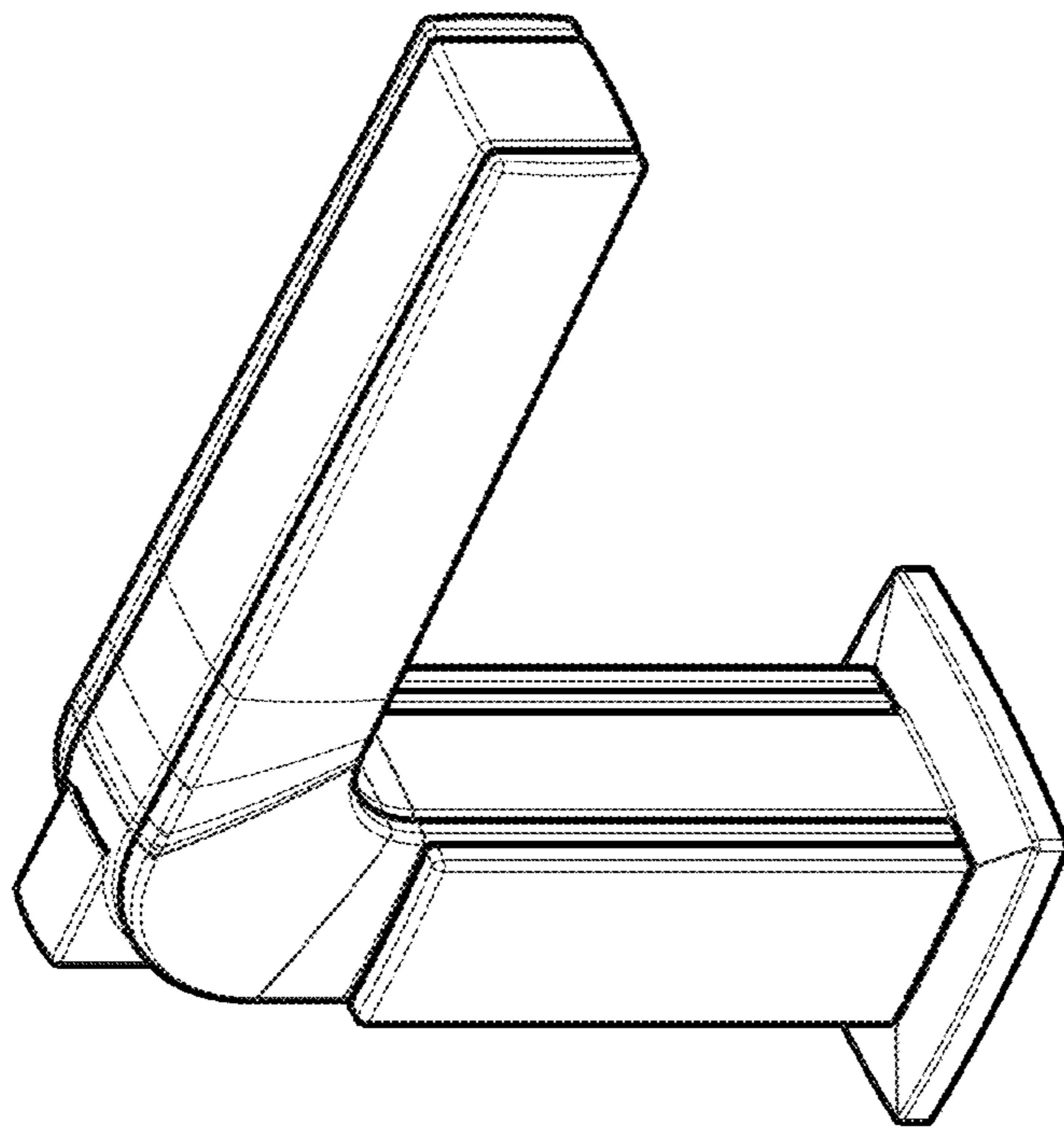


Fig. 1

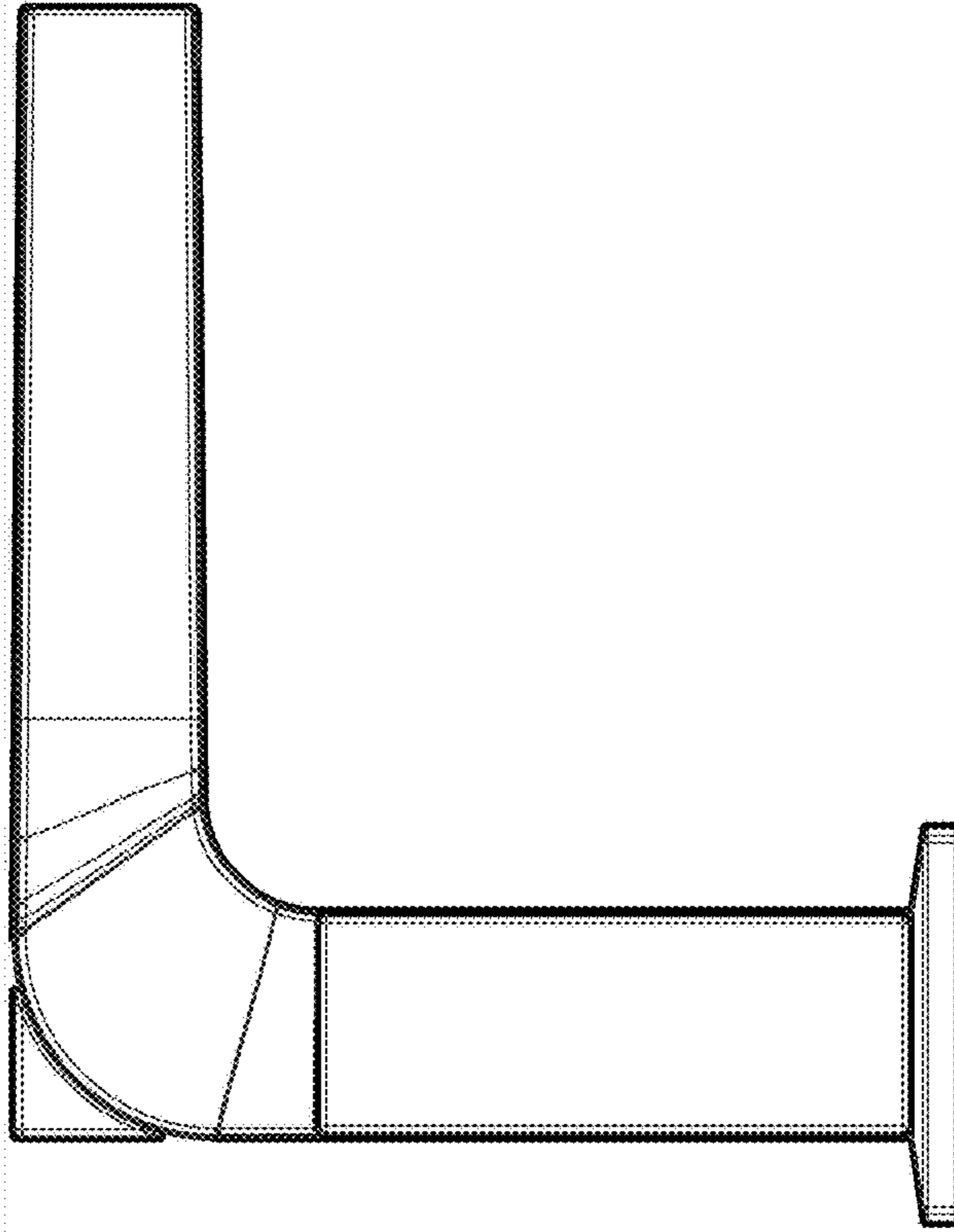


Fig. 3

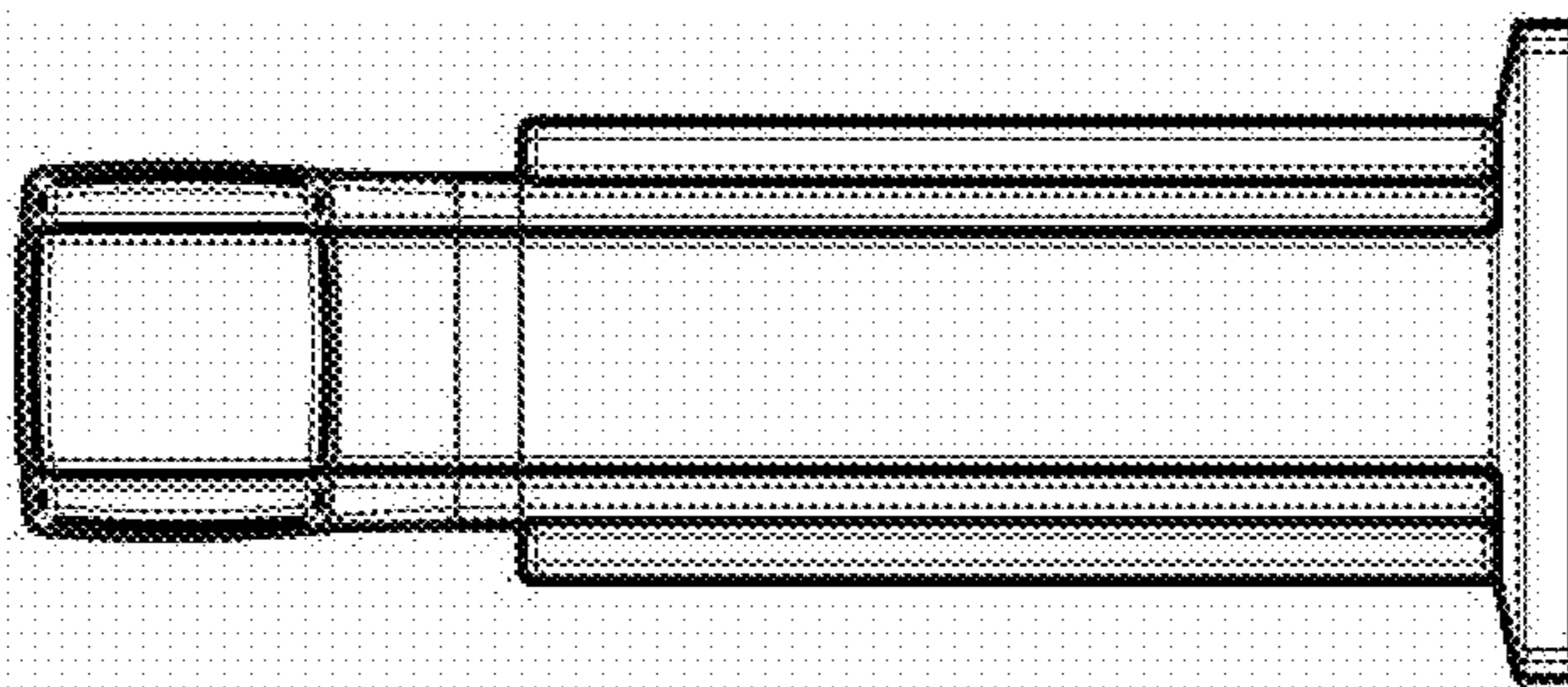


Fig. 4

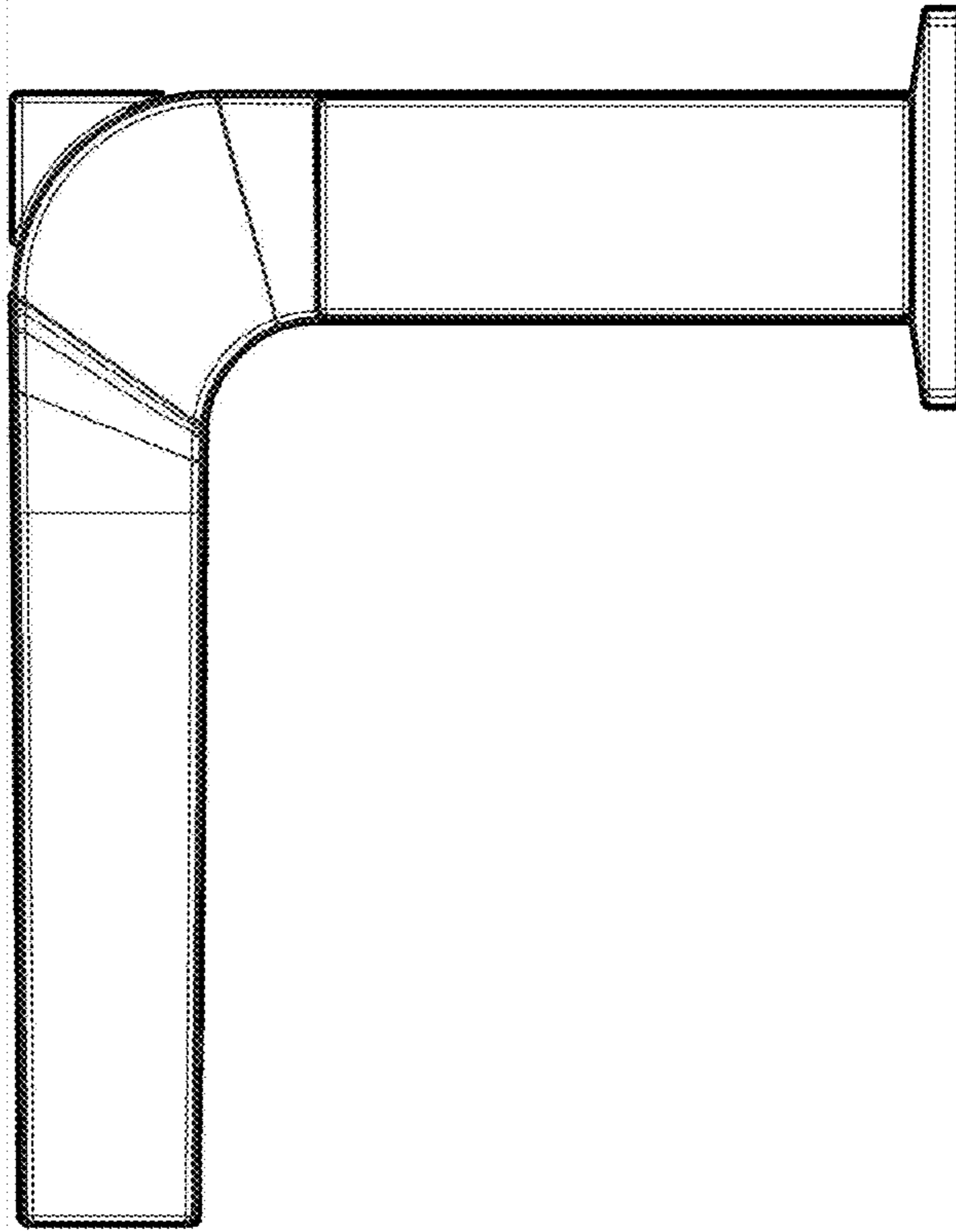


Fig. 6

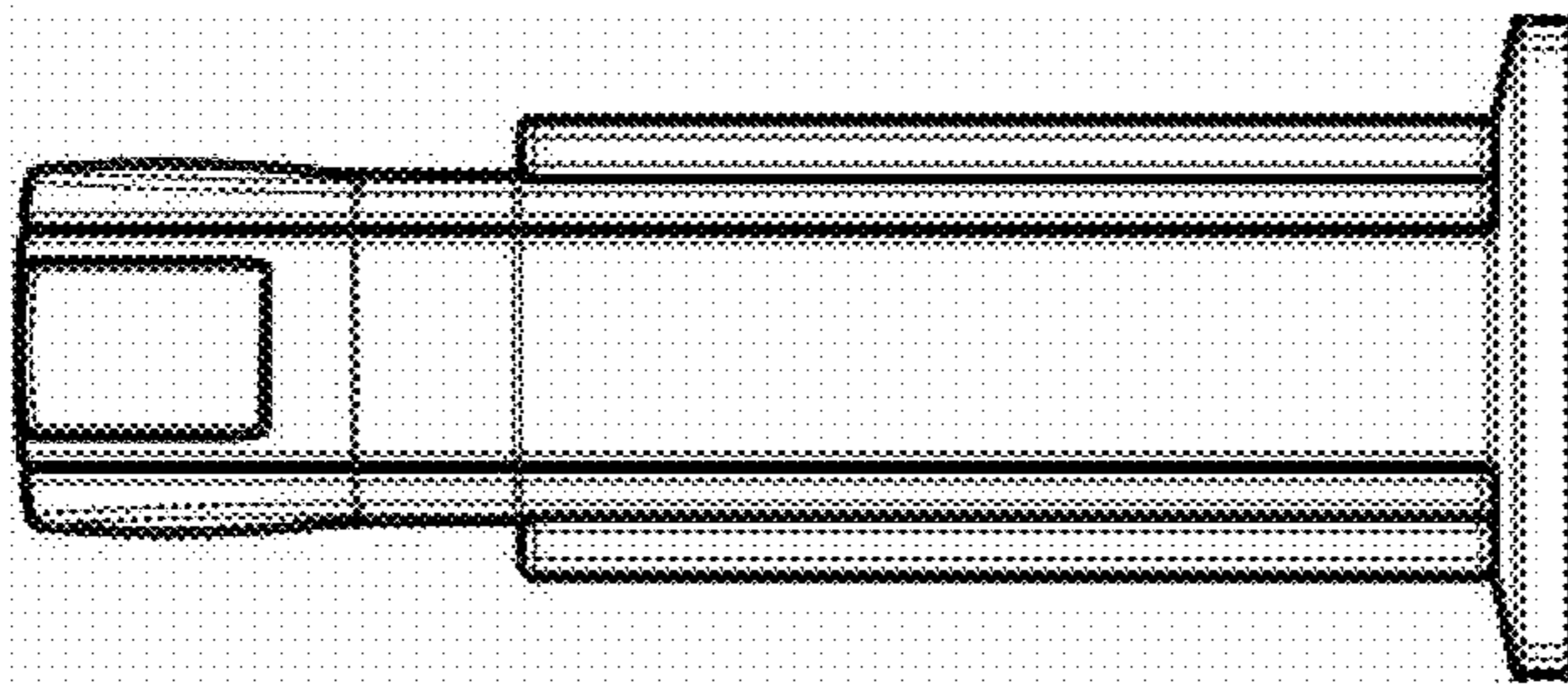


Fig. 5

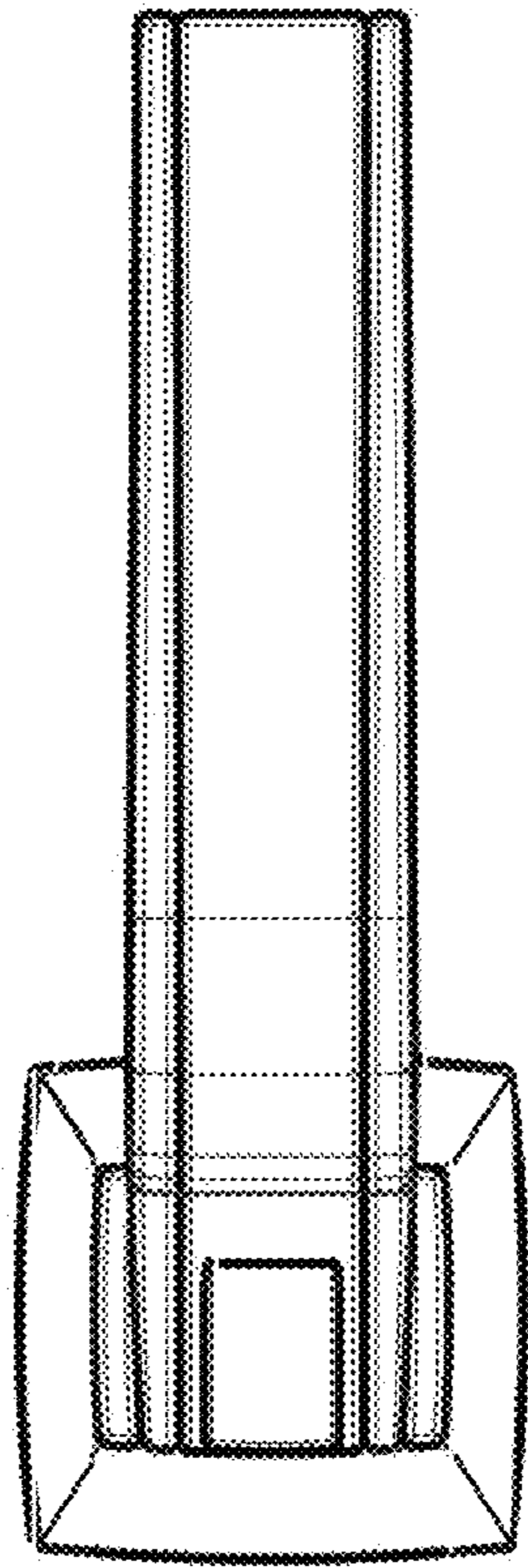


Fig. 7