



US00D893679S

(12) **United States Design Patent** (10) **Patent No.:** **US D893,679 S**
Park (45) **Date of Patent:** **** Aug. 18, 2020**

(54) **FAUCET HANDLE**
(71) Applicant: **DELTA FAUCET COMPANY,**
Indianapolis, IN (US)
(72) Inventor: **Maris Park,** McCordsville, IN (US)
(73) Assignee: **DELTA FAUCET COMPANY,**
Indianapolis, IN (US)
(**) Term: **15 Years**
(21) Appl. No.: **29/641,688**
(22) Filed: **Mar. 23, 2018**
(51) **LOC (12) Cl.** **23-01**
(52) **U.S. Cl.**
USPC **D23/252**
(58) **Field of Classification Search**
USPC D23/238, 239, 240, 241, 242, 243, 249,
D23/250, 252, 255, 257; D8/350, 353,
D8/307
CPC Y10T 137/9464; Y10T 137/6014; Y10T
137/0491; E03C 1/02; E03C 1/04; E03C
1/0404; E03C 1/042
See application file for complete search history.

D787,022 S * 5/2017 Lopez D23/254
D792,559 S * 7/2017 Kulig D23/242
2011/0220827 A1* 9/2011 Tortorello F16K 31/602
251/231

OTHER PUBLICATIONS

Trendir, Luxury Bath Products—The Bathroom Bling, webarchived Jul. 29, 2017, [online], [visited Jul. 18, 2019]. Internet, URL: <https://web.archive.org/web/20170729073938/https://www.trendir.com/luxury-bath-products-the-bathr/> (Year: 2017).*
Design Boom, David Adjaye + Jean Marie-Massaud Axor waterdream, posted Apr. 11, 2016, [online], [visited Jul. 18, 2019]. Internet, URL: <https://www.designboom.com/design/axor-waterdream-milan-design-week-2016-04-11-2016/> (Year: 2016).*

* cited by examiner

Primary Examiner — Sheryl Lane
Assistant Examiner — Samantha N Wood
(74) *Attorney, Agent, or Firm* — Nirav D. Parikh; Edgar A. Zarins

(57) **CLAIM**

The ornamental design for a faucet handle, as shown and described.

(56) **References Cited**

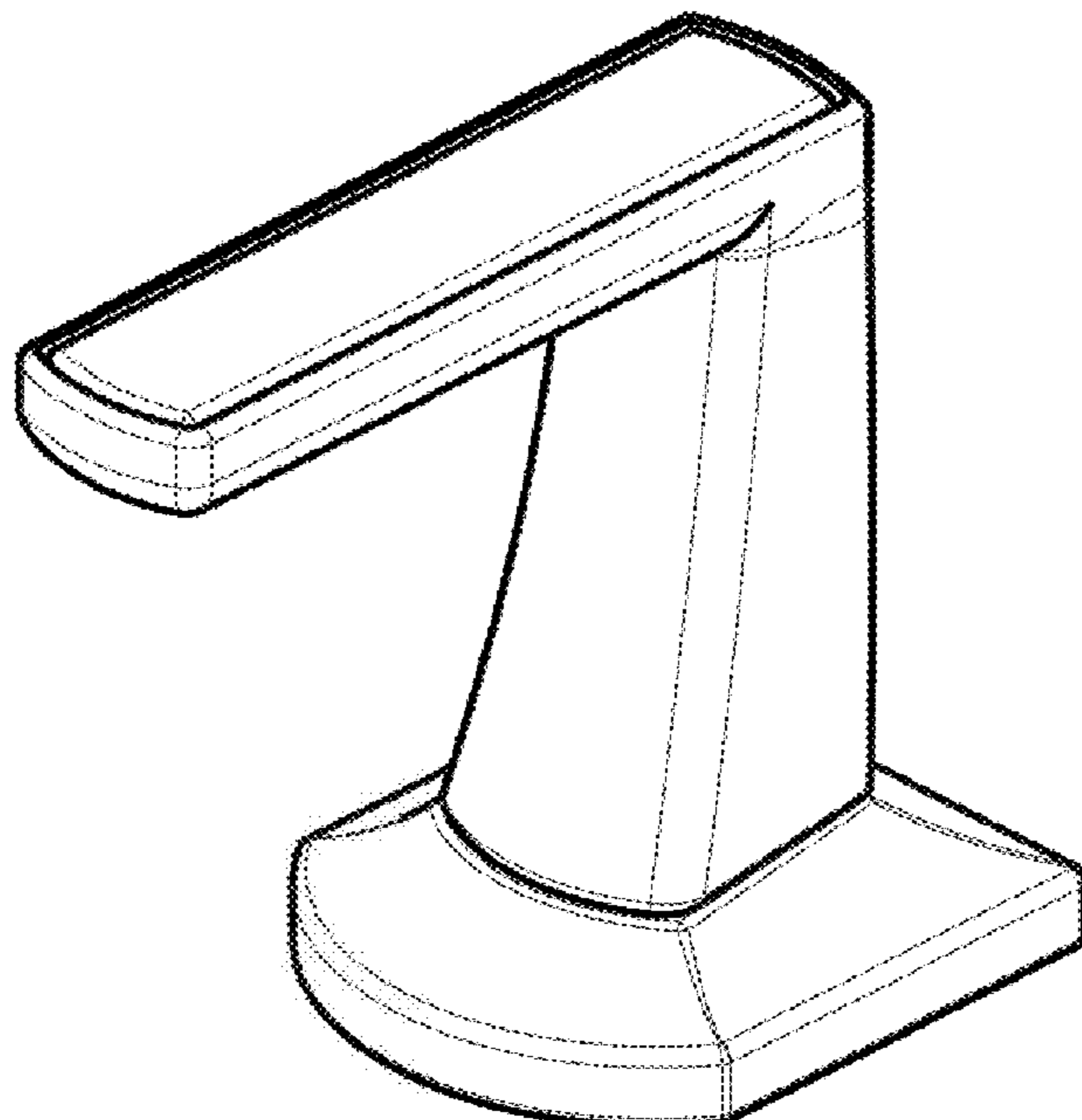
U.S. PATENT DOCUMENTS

D267,111 S * 11/1982 Arnolds D23/242
D290,159 S * 6/1987 Jans D23/242
D298,275 S * 10/1988 Hill D23/252
D532,486 S * 11/2006 Barry D23/252
D542,622 S * 5/2007 Ricereto D8/307
D682,993 S * 5/2013 Mendoza D23/242
D685,882 S * 7/2013 Garland D23/252
9,062,796 B2* 6/2015 Horsman F16K 31/602
D767,730 S * 9/2016 Eads D23/252
D771,467 S * 11/2016 McKeone D8/301

DESCRIPTION

FIG. 1 is a first perspective view of a faucet handle showing my new design;
FIG. 2 is a second perspective view thereof;
FIG. 3 is a front elevational view thereof;
FIG. 4 is a first side view thereof;
FIG. 5 is a rear view thereof;
FIG. 6 is a second side view thereof; and,
FIG. 7 is a top end view thereof.

1 Claim, 4 Drawing Sheets



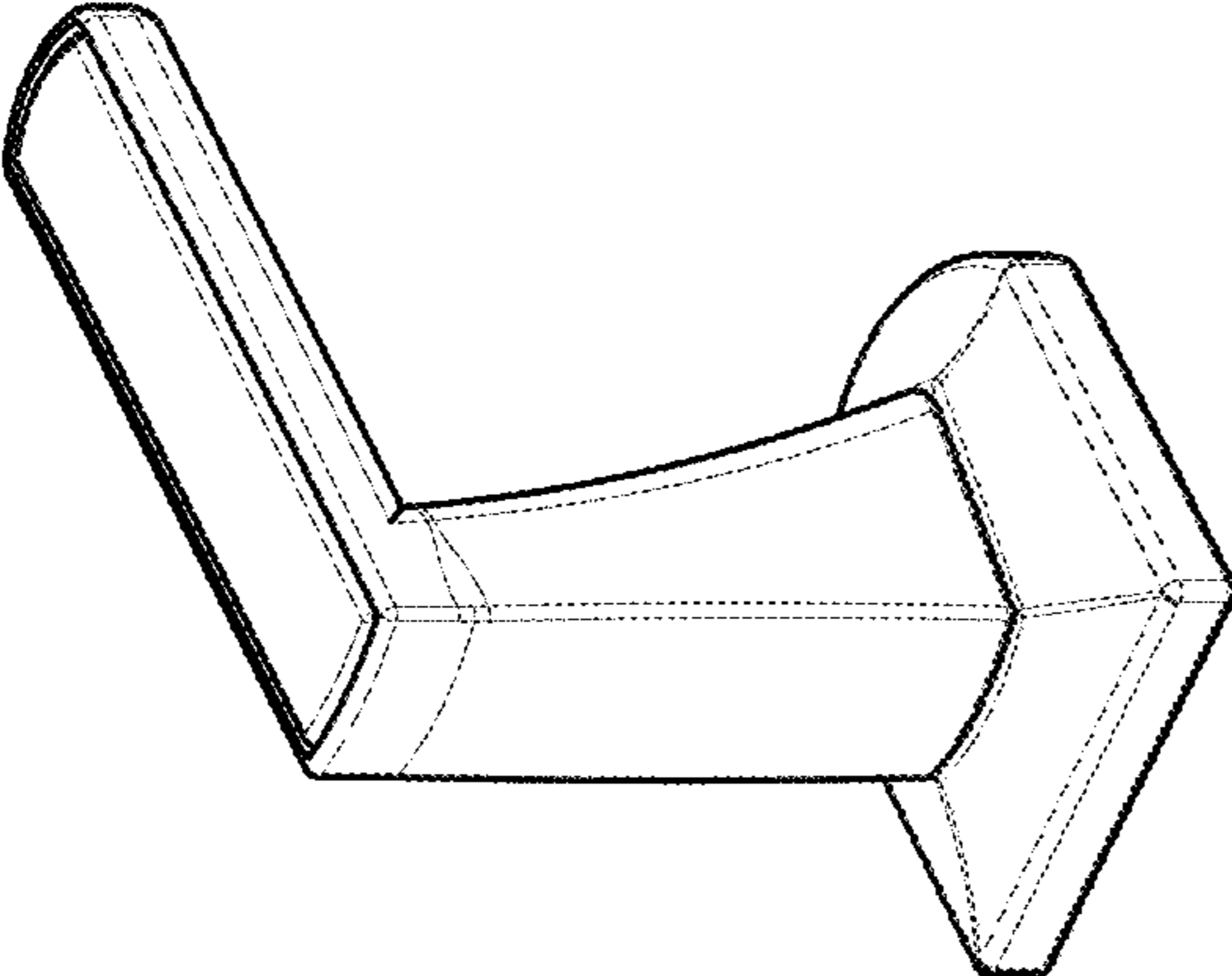


Fig. 2

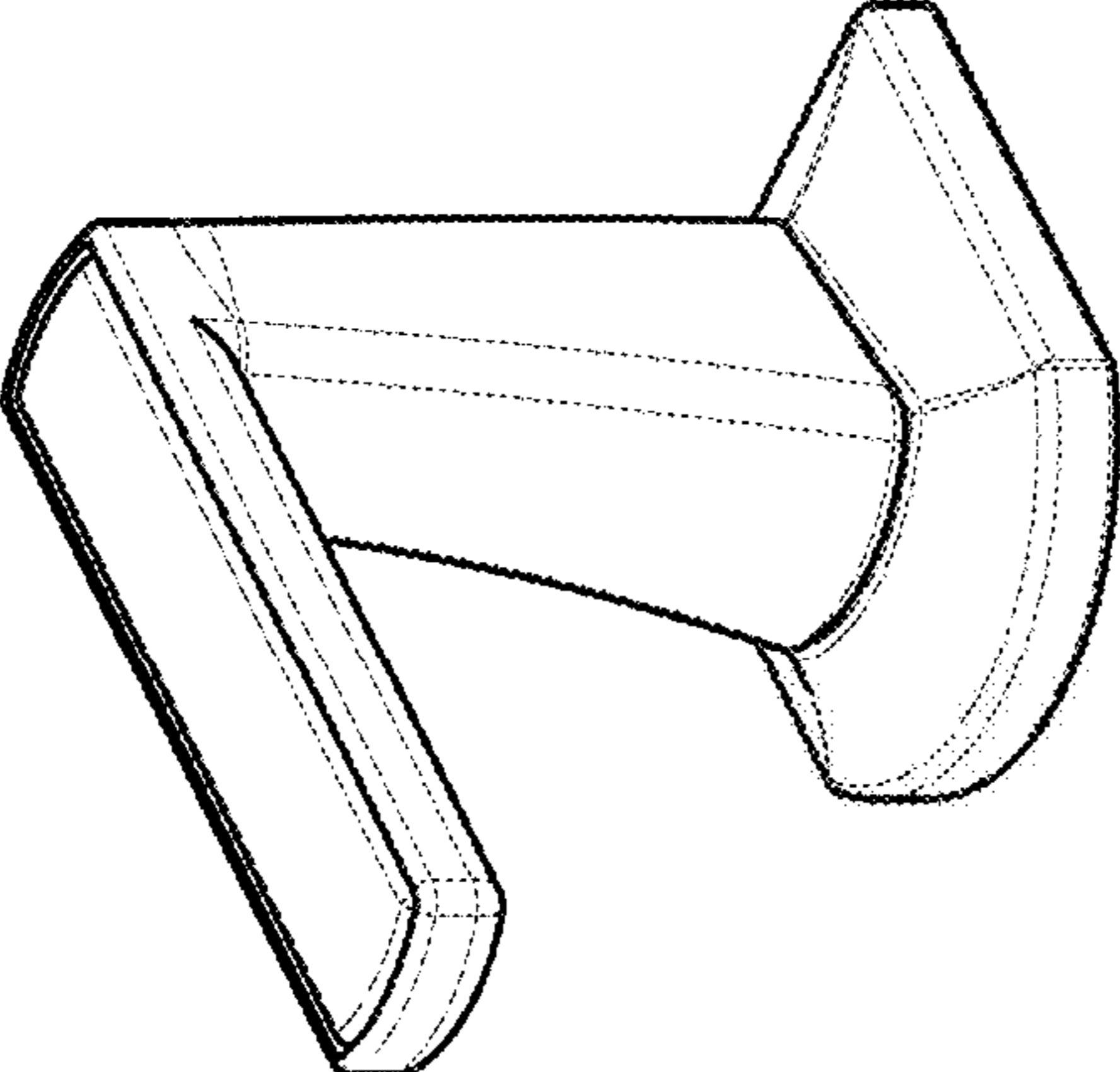


Fig. 1

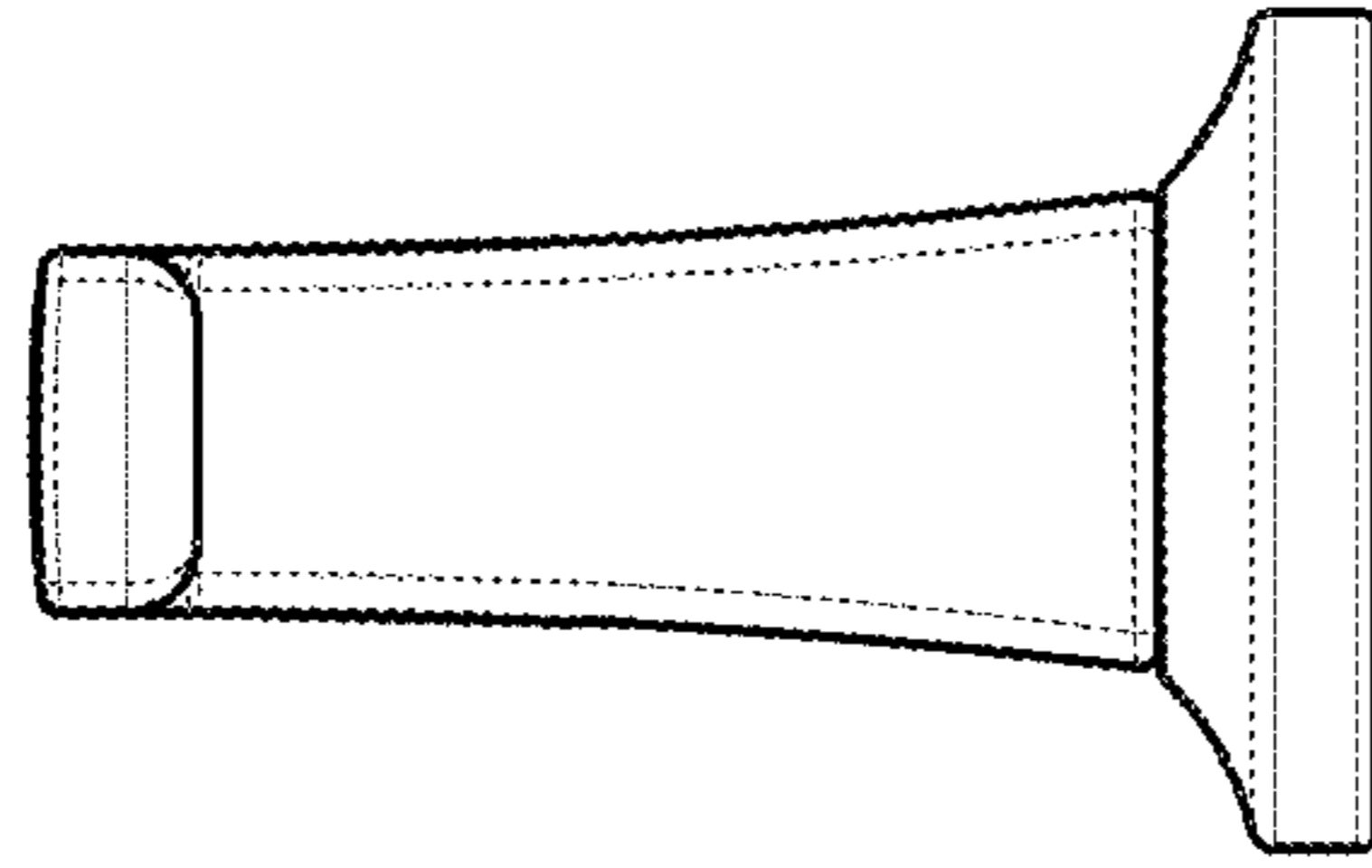


Fig. 4

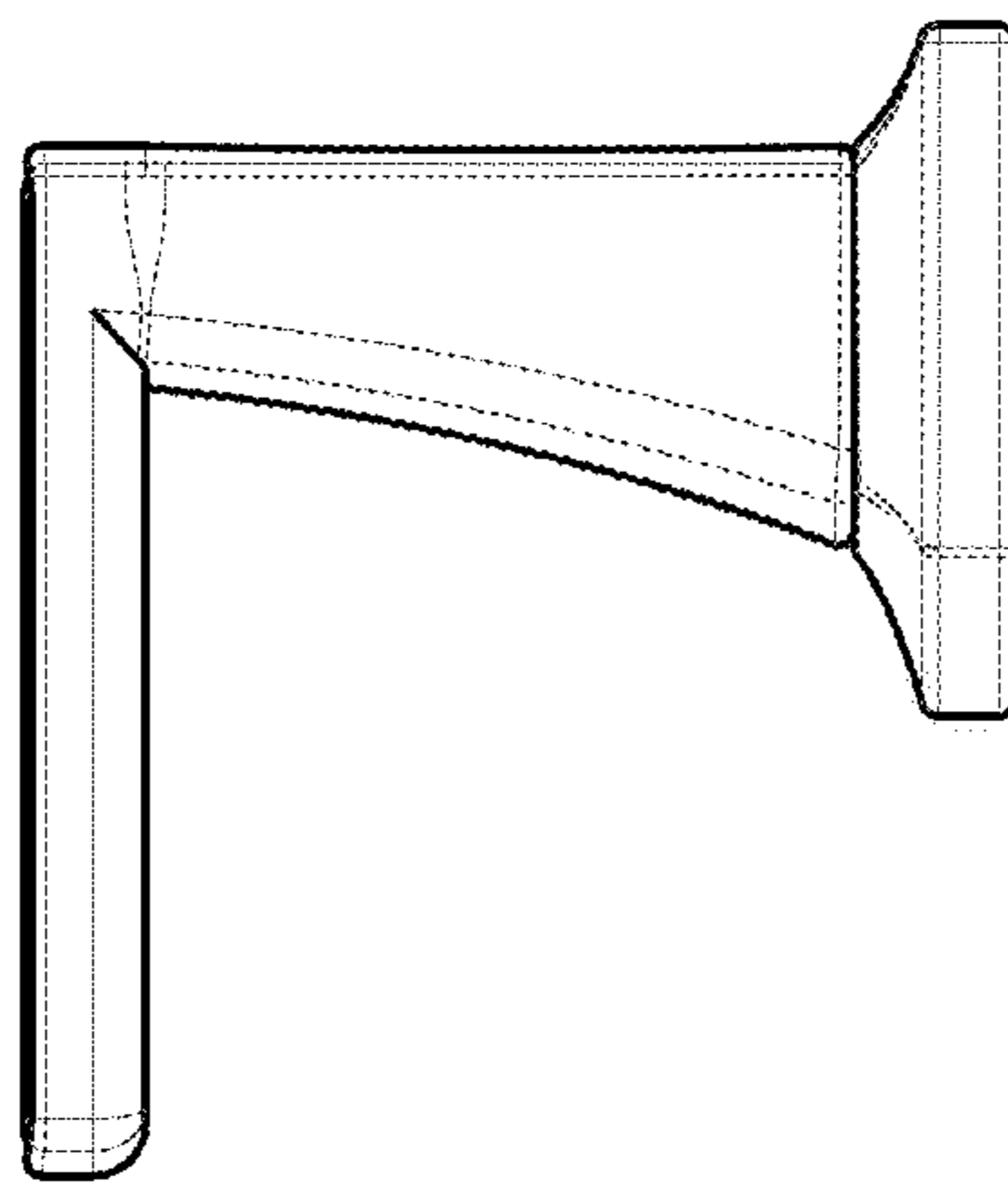


Fig. 3

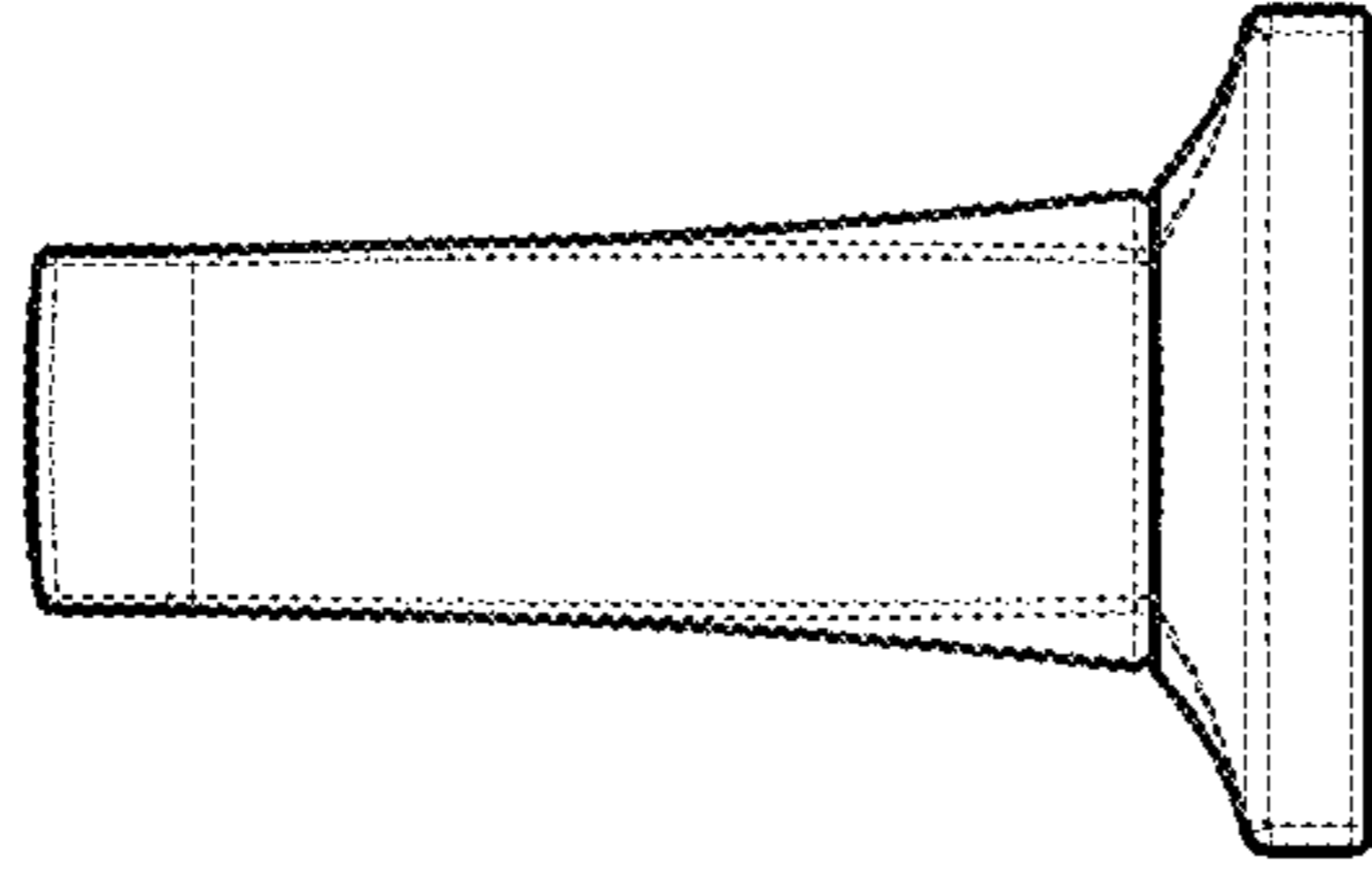


Fig. 6

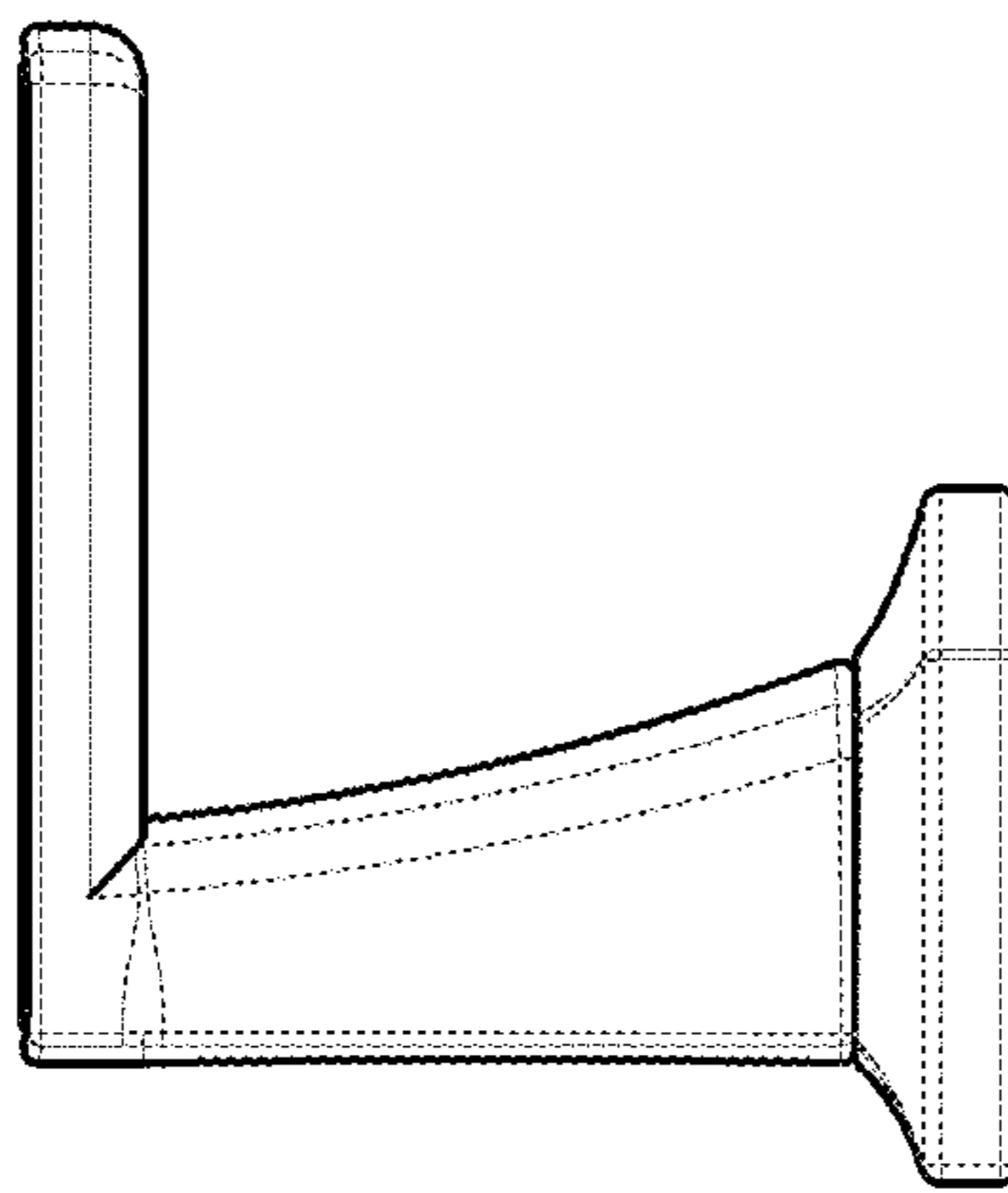


Fig. 5

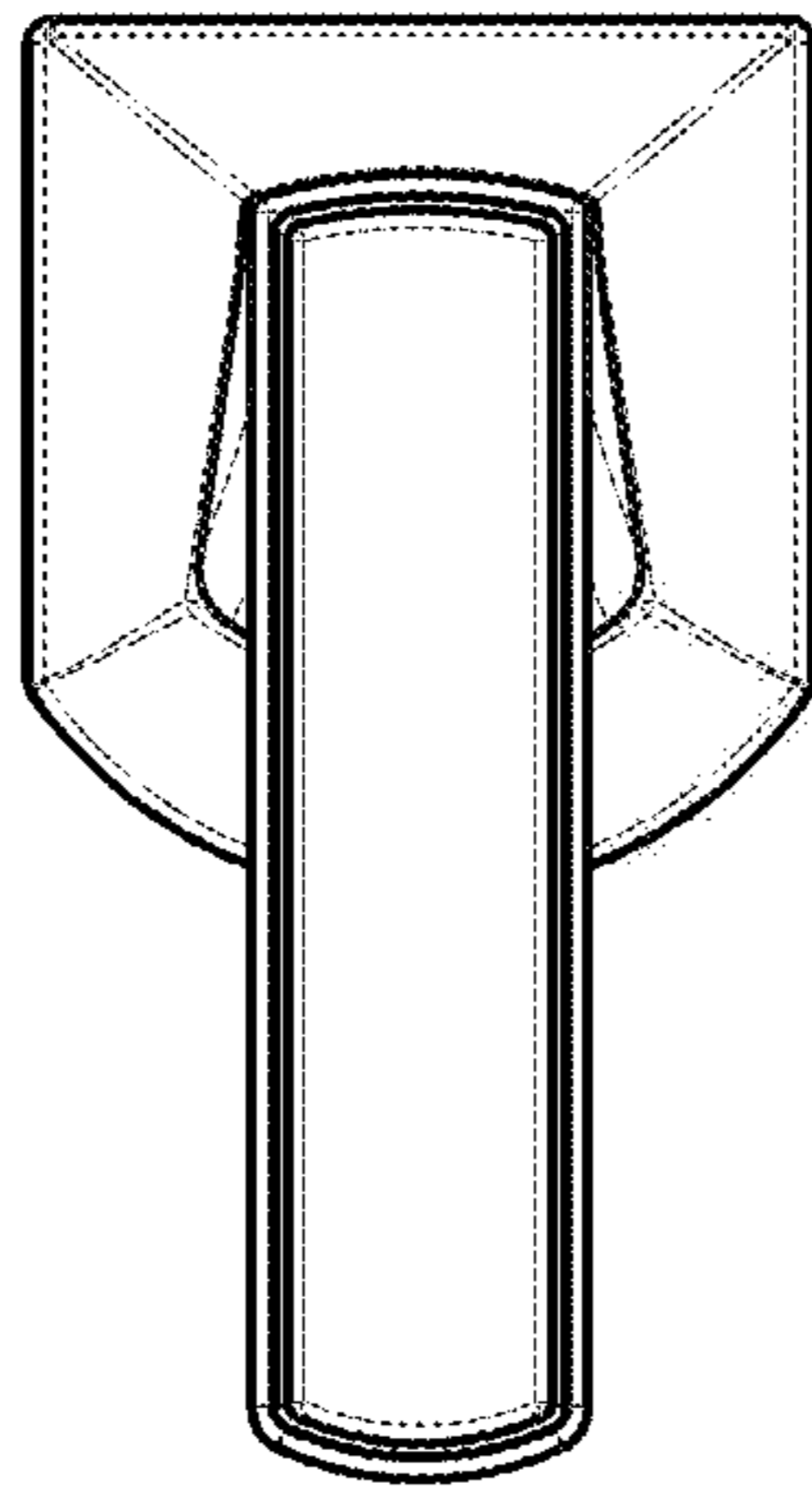


Fig. 7