



US00D893678S

(12) **United States Design Patent** (10) **Patent No.:** **US D893,678 S**
McComb et al. (45) **Date of Patent:** **** Aug. 18, 2020**

(54) **VALVE**
(71) Applicant: **BLACOH FLUID CONTROLS, INC.,**
Riverside, CA (US)
(72) Inventors: **David Dean McComb**, Highland, CA
(US); **Alvin Ye**, Ontario, CA (US);
James Stanley Burke, Glendora, CA
(US); **Gregory Scott Duncan**,
Huntington Beach, CA (US)
(73) Assignee: **BLACOH FLUID CONTROLS, INC.,**
Riverside, CA (US)

3,470,910 A 10/1969 Loveless
D218,519 S * 8/1970 Hisayoshi D23/248
4,190,403 A 2/1980 Glover
4,273,158 A 6/1981 Chun
D282,562 S * 2/1986 Looney D23/235
4,782,204 A 11/1988 Gartland
5,186,209 A 2/1993 McManigal et al.
D341,187 S * 11/1993 Stachowiak D23/233
5,307,782 A 5/1994 Davis
5,372,116 A 12/1994 Davis
6,386,509 B1 5/2002 Mastuzawa et al.
8,733,392 B2 5/2014 Smith et al.
10,508,750 B2 * 12/2019 Burris F16K 15/044
2014/0081217 A1 3/2014 Holtwick
2014/0203198 A1 7/2014 Jennings et al.
2015/0027567 A1 1/2015 Shreve et al.

(**) Term: **15 Years**

FOREIGN PATENT DOCUMENTS

(21) Appl. No.: **29/636,000**
(22) Filed: **Feb. 5, 2018**
(51) **LOC (12) Cl.** **23-01**
(52) **U.S. Cl.**
USPC **D23/235**
(58) **Field of Classification Search**
USPC D23/233, 235, 237, 241-249; 137/488
CPC B05B 12/087; F16K 15/044; F16K 1/42;
F16K 7/17; F16K 15/021; F16K 15/063;
F16K 15/145; F16K 27/0209; F16K
31/165; F16K 31/365; F16K 7/16; F16K
31/12; F16K 1/126; F16K 3/26
See application file for complete search history.

GB 668451 3/1952

* cited by examiner

Primary Examiner — Gino Colan
(74) *Attorney, Agent, or Firm* — Knobbe Martens Olson
& Bear LLP

(56) **References Cited**

U.S. PATENT DOCUMENTS

D96,405 S * 7/1935 Murphy D23/235
2,523,826 A * 9/1950 Heinzelman G05D 16/163
137/487
2,633,146 A 3/1953 Witt
2,774,374 A 12/1956 Schneider
3,052,378 A 9/1962 Wright et al.
3,418,708 A 12/1968 Siver

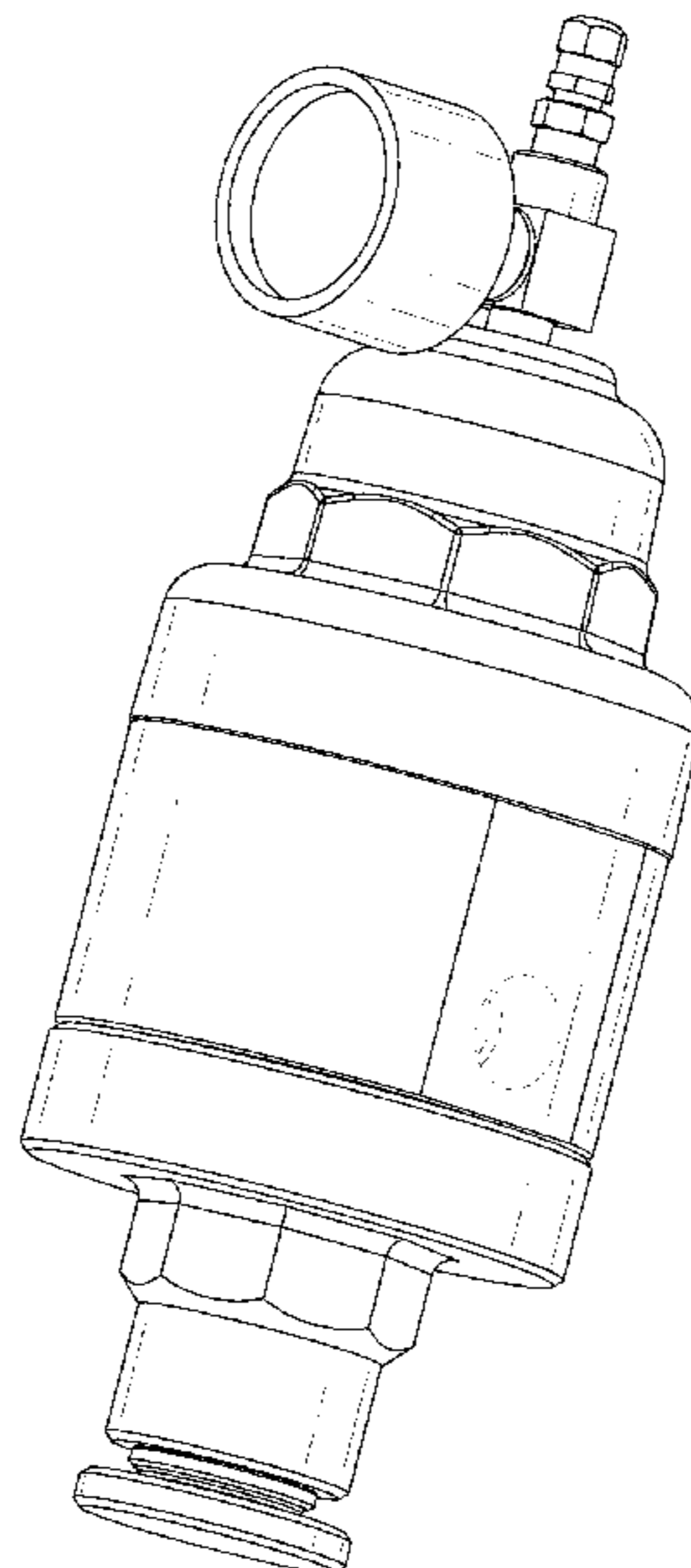
(57) **CLAIM**

The ornamental design for a valve, as shown and described.

DESCRIPTION

FIG. 1 is a front, bottom, and side perspective view of a valve embodying our new design.
FIG. 2 is a front view thereof.
FIG. 3 is a back view thereof.
FIG. 4 is a left side view thereof.
FIG. 5 is a right side view thereof.
FIG. 6 is a top view thereof; and,
FIG. 7 is a bottom view thereof.
Broken lines are used to illustrate features of the valve which form no part of the claimed design.

1 Claim, 6 Drawing Sheets



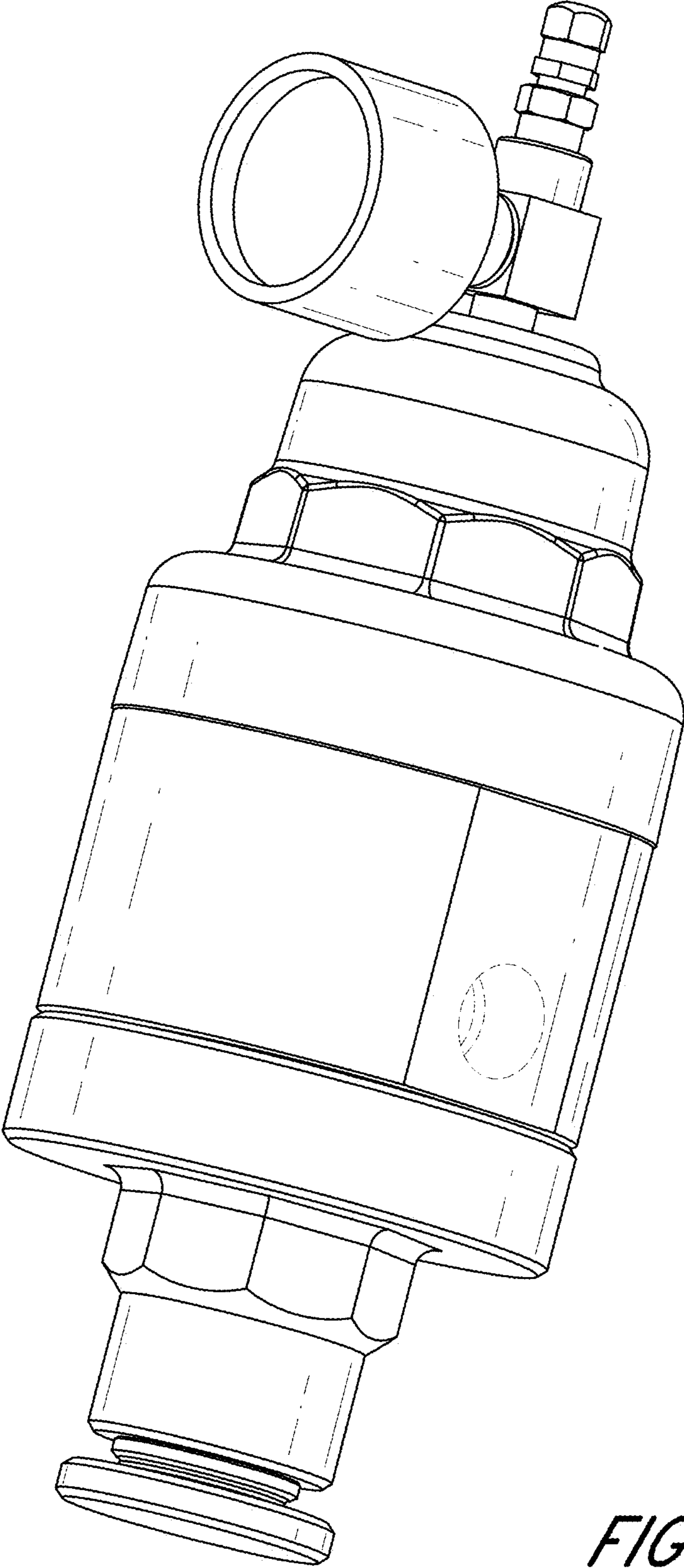


FIG. 1

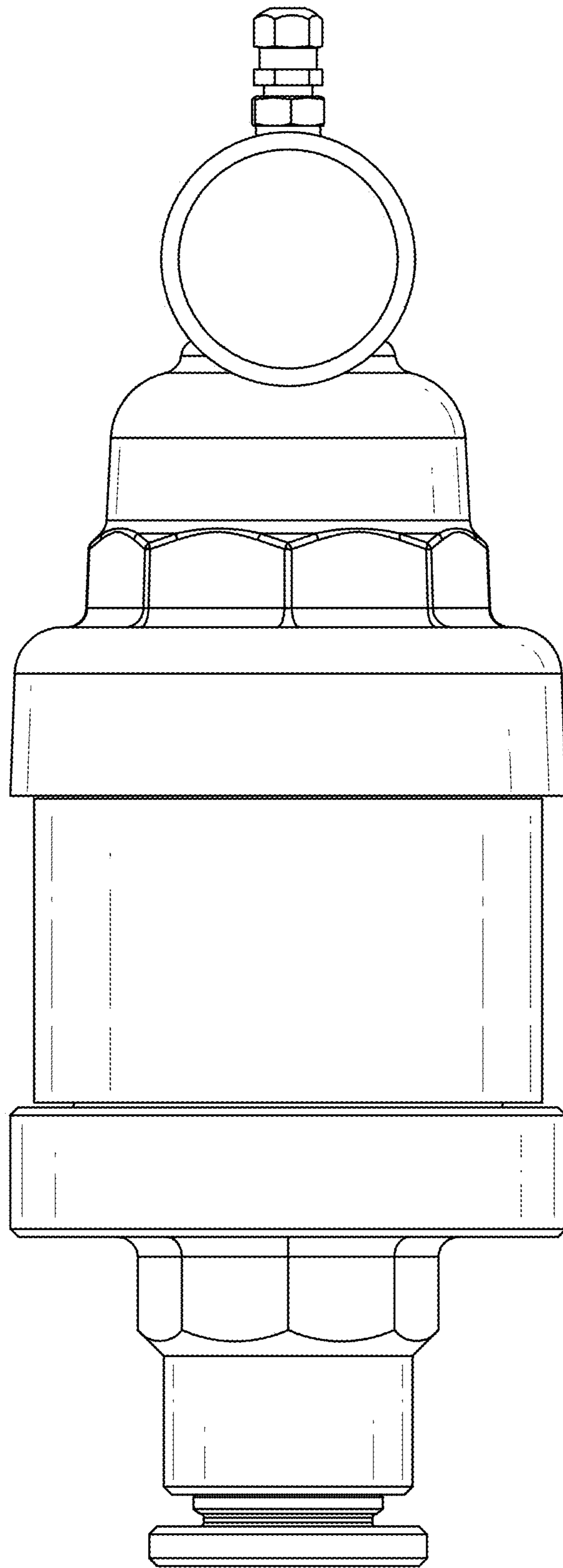


FIG. 2

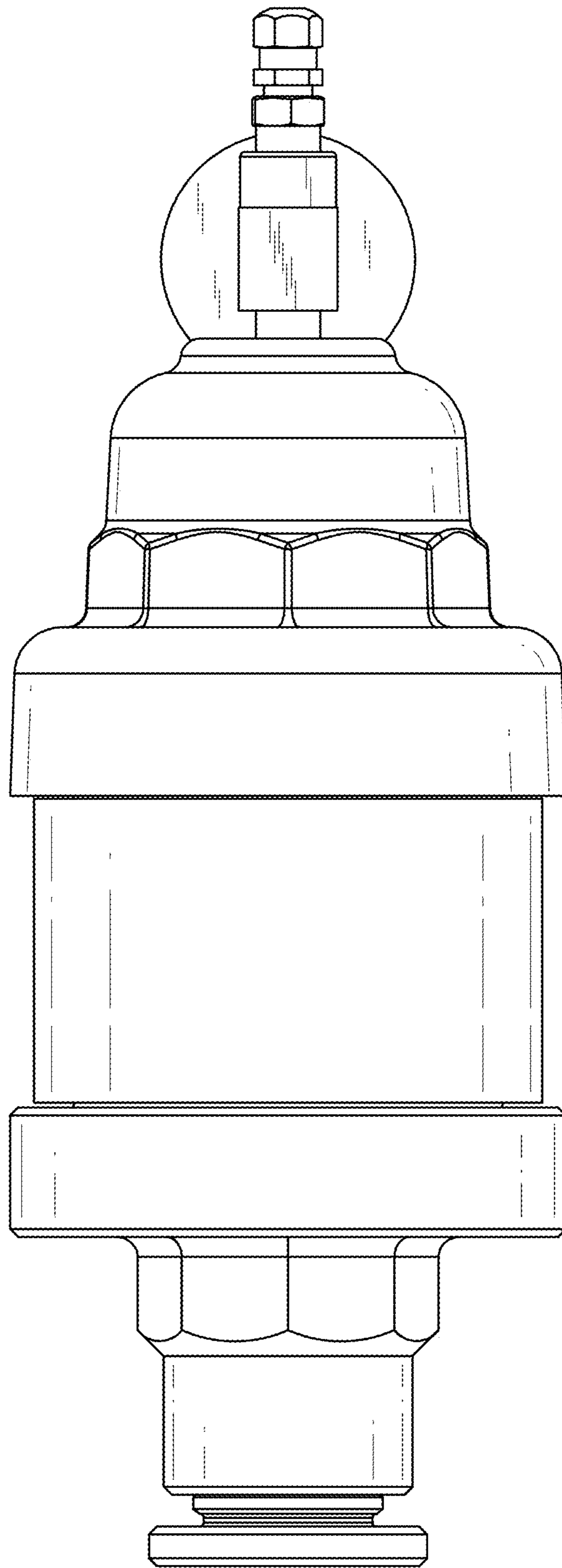


FIG. 3

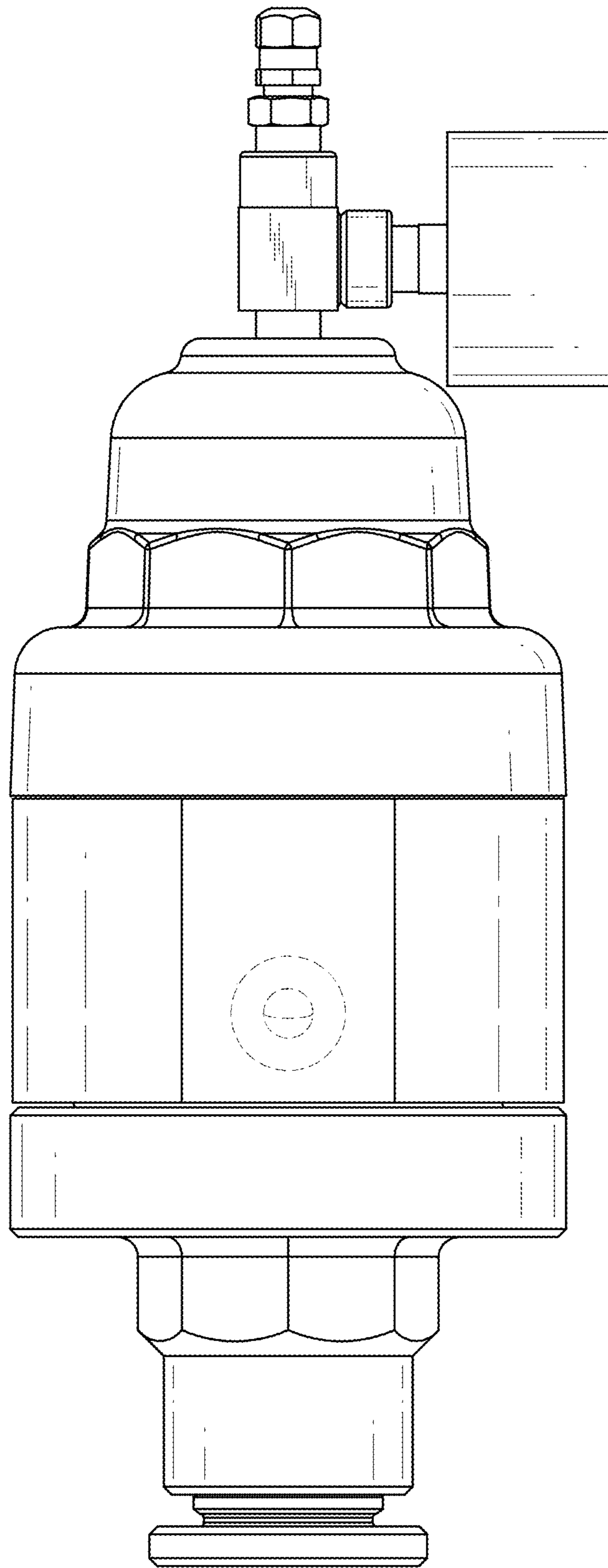


FIG. 4

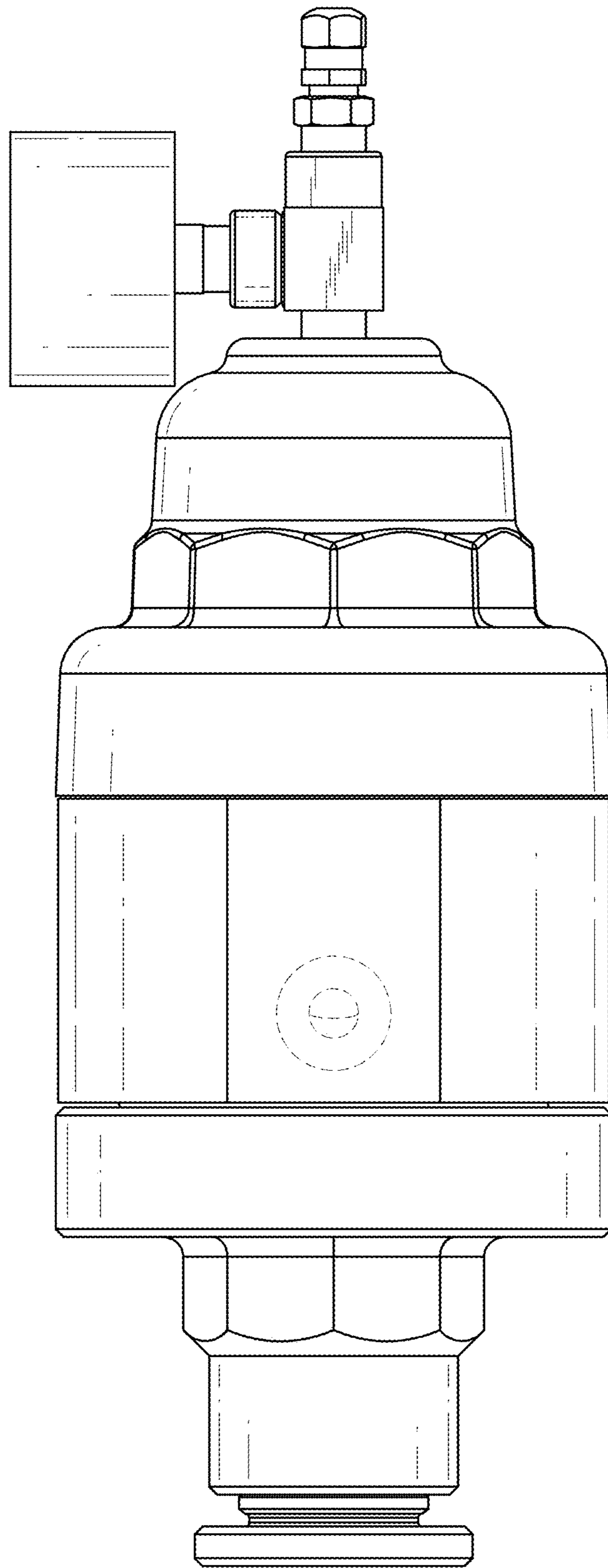


FIG. 5

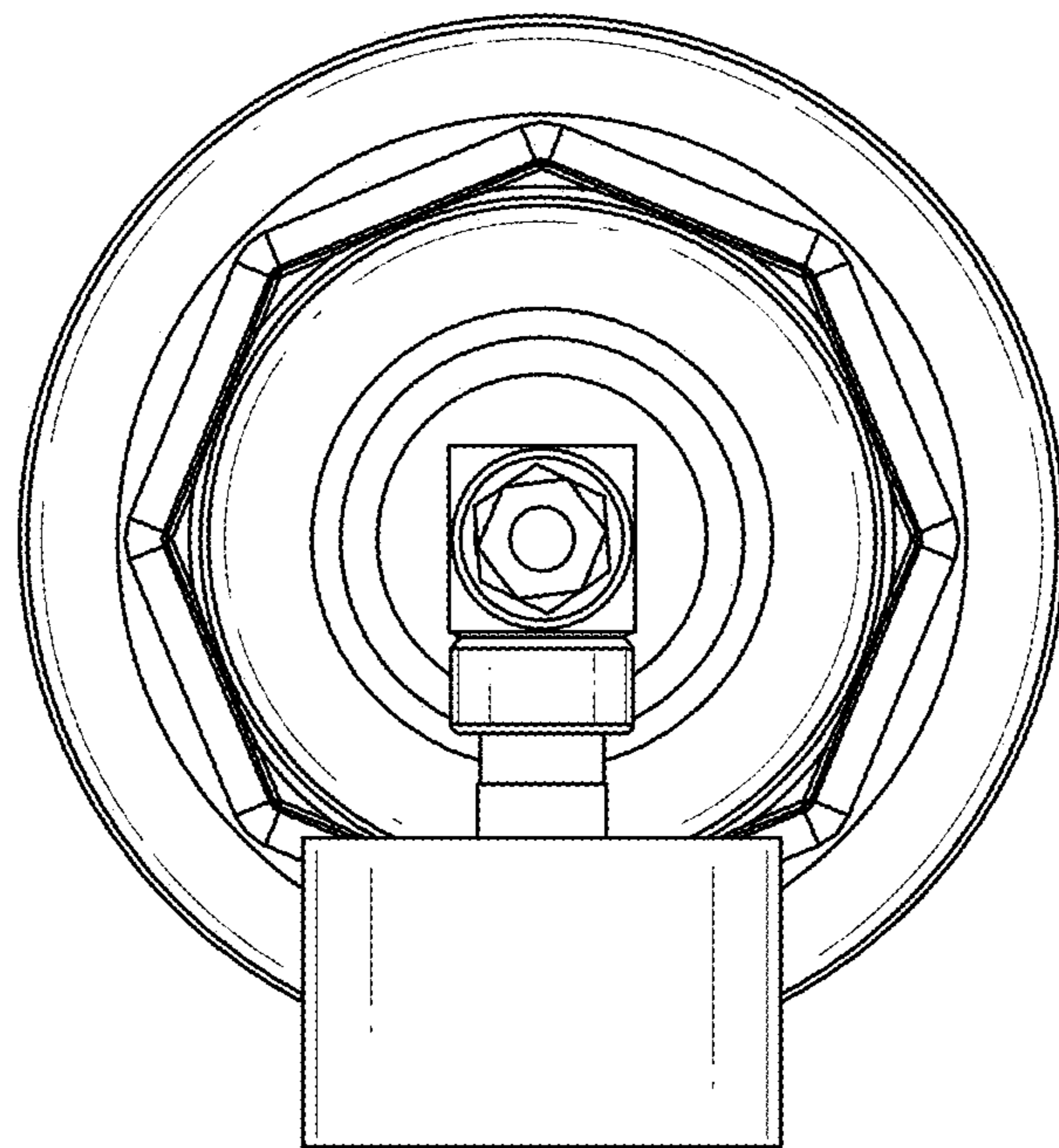


FIG. 6

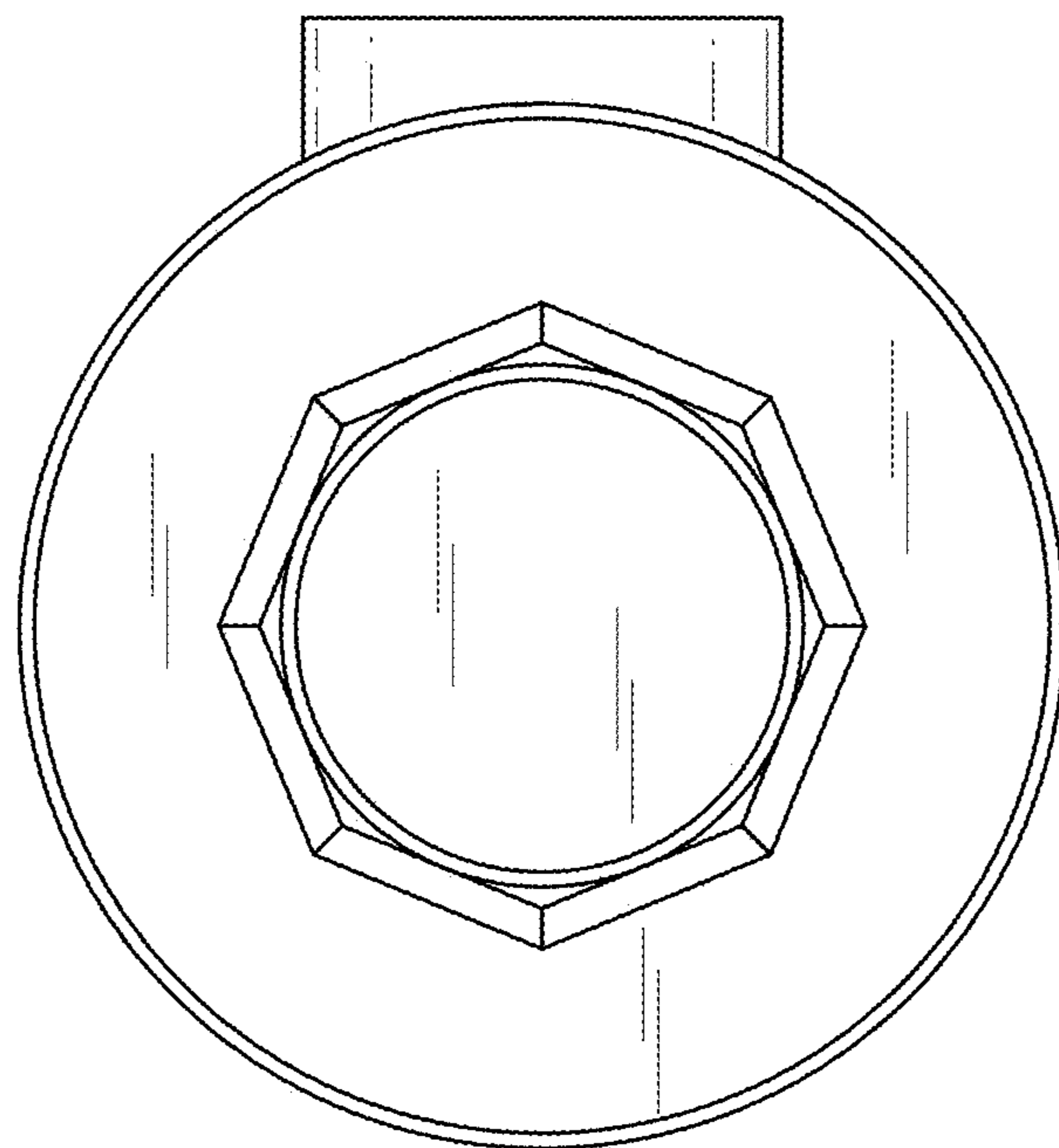


FIG. 7