



US00D893677S

(12) **United States Design Patent** (10) **Patent No.:** **US D893,677 S**
Moy et al. (45) **Date of Patent:** **** Aug. 18, 2020**

(54) **WATER HEATER CONTROLLER**
(71) Applicant: **Ademco Inc.**, Golden Valley, MN (US)
(72) Inventors: **Brian Moy**, Arden Hills, MN (US);
Ravindra Khosla, Maple Grove, MN (US); **Rajat Shail**, Stevensville, MI (US)
(73) Assignee: **Ademco Inc.**, Golden Valley, MN (US)

D606,628 S 12/2009 Jeong et al.
D623,274 S * 9/2010 Cavagna D23/233
D634,813 S * 3/2011 Hernandez, IV D23/233
D675,714 S 2/2013 Nguyen
D686,297 S 7/2013 Laugen et al.
8,544,423 B2 10/2013 Vogel et al.
8,550,369 B2 10/2013 Subramanian
D697,585 S * 1/2014 Liu D23/233
(Continued)

(**) Term: **15 Years**
(21) Appl. No.: **29/706,887**
(22) Filed: **Sep. 24, 2019**

Related U.S. Application Data

(62) Division of application No. 29/639,060, filed on Mar. 2, 2018, now Pat. No. Des. 866,712.
(51) **LOC (12) Cl.** **23-01**
(52) **U.S. Cl.**
USPC **D23/233**
(58) **Field of Classification Search**
USPC D13/162, 169, 174; D10/49, 50;
D23/233, 235, 249, 318, 319, 320, 321,
D23/322, 386
CPC F23N 5/00; F23N 2900/00; F23N
2900/05005; F24D 19/1066; F24H
9/2007; F24H 9/2035; F24H 1/18; G05D
23/1904; H05B 1/00; H05B 1/02; H05B
1/0202; H05B 1/0283; F16K 31/44; F16K
31/60
See application file for complete search history.

(56) **References Cited**

U.S. PATENT DOCUMENTS

RE37,745 E * 6/2002 Brandt F24H 1/205
122/14.2
6,767,104 B2 * 7/2004 Worrell H01H 19/025
362/23.19
7,432,477 B2 10/2008 Teti

OTHER PUBLICATIONS

Notice of Allowance from U.S. Appl. No. 29/639,060, dated Jun. 19, 2019, 11 pp.

Primary Examiner — Selina Sikder
(74) *Attorney, Agent, or Firm* — Shumaker & Sieffert, P.A.

(57) **CLAIM**

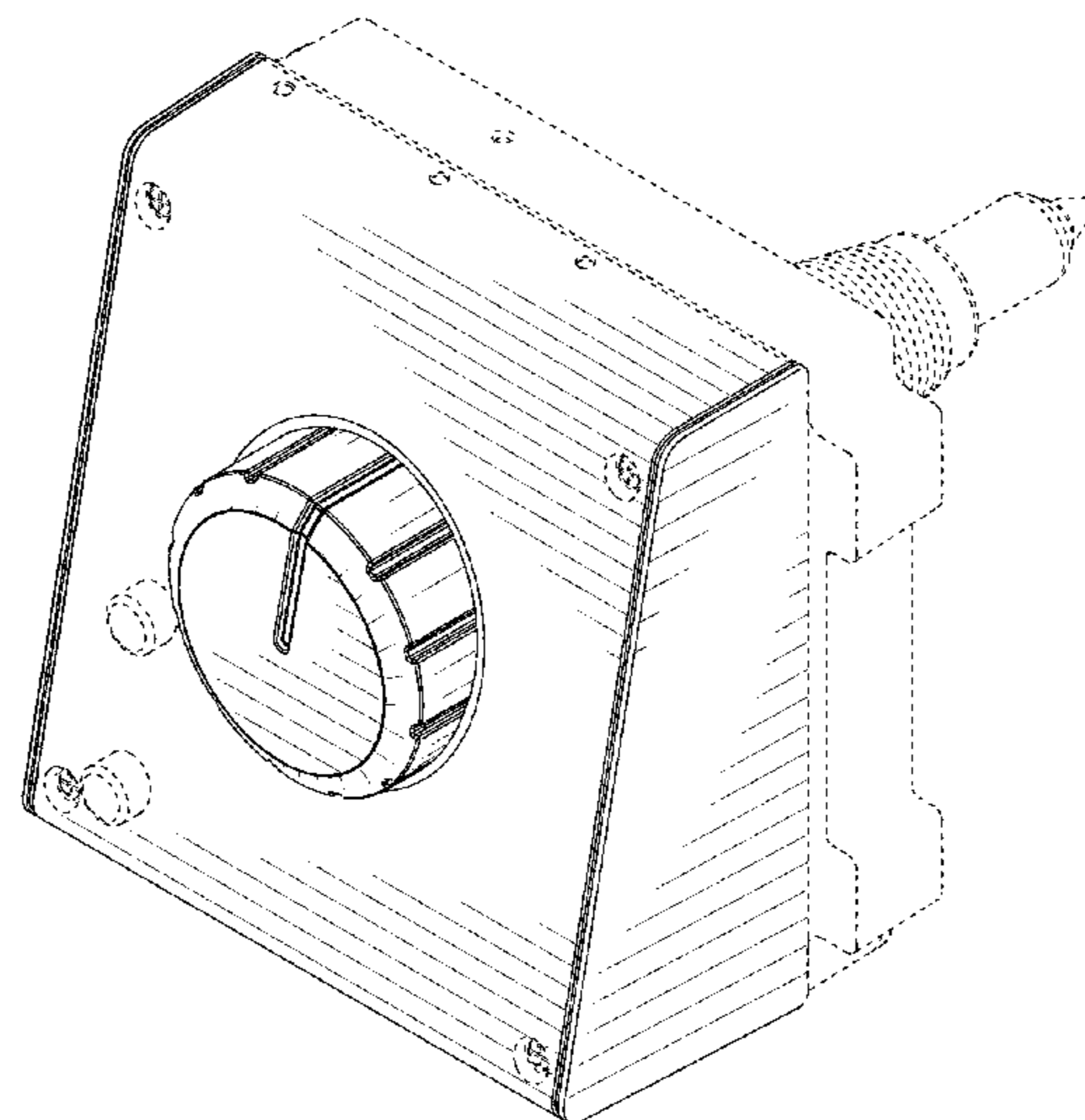
The ornamental design for a water heater controller, as shown and described.

DESCRIPTION

FIG. 1 is a perspective view of another a water heater controller;
FIG. 2 is a front elevation view of the water heater controller of FIG. 1;
FIG. 3 is a right side view of the water heater controller of FIG. 1;
FIG. 4 is a left side view of the water heater controller of FIG. 1;
FIG. 5 is a top side view of the water heater controller of FIG. 1; and,
FIG. 6 is a bottom side view of the water heater controller of FIG. 1.

In the drawings, the claimed design is defined by the shaded surfaces; broken lines immediately adjacent shaded surfaces represent boundaries of the claim and form no part thereof; all other broken lines depict unclaimed environmental subject matter and form no part of the claim.

1 Claim, 6 Drawing Sheets



(56)

References Cited

U.S. PATENT DOCUMENTS

D698,009 S * 1/2014 Smith D23/233
 D755,927 S 5/2016 Holmberg et al.
 D866,712 S * 11/2019 Moy D23/233
 2004/0045608 A1* 3/2004 Peters F16K 31/60
 137/552.7
 2004/0050344 A1* 3/2004 Toniolo F24H 9/2035
 122/504
 2004/0099833 A1* 5/2004 Haikawa F16K 31/041
 251/292
 2010/0252122 A1* 10/2010 Nguyen F24H 9/2035
 137/75
 2010/0294632 A1* 11/2010 Reddering G05G 1/08
 200/11 R
 2012/0325338 A1* 12/2012 Pettinaroli F24D 19/1015
 137/505
 2013/0175464 A1* 7/2013 Smith F16K 31/60
 251/213

2013/0187073 A1* 7/2013 Carlson F16K 31/44
 251/304
 2013/0200168 A1 8/2013 Buescher et al.
 2013/0228038 A1* 9/2013 Klimecki G05G 1/105
 74/553
 2013/0276722 A1* 10/2013 Bronson G05D 23/1852
 122/19.2
 2015/0020899 A1* 1/2015 Eyring F17C 13/04
 137/544
 2015/0027544 A1* 1/2015 Shemer F16K 37/0016
 137/1
 2015/0122200 A1* 5/2015 Orłowski F24H 9/2035
 122/19.2
 2016/0161019 A1* 6/2016 Chen F16K 31/50
 137/555
 2017/0336824 A1* 11/2017 Lawson G05G 1/082
 2018/0180186 A1* 6/2018 Kim F16K 3/312
 2018/0259982 A1* 9/2018 Halimi G05D 16/20

* cited by examiner

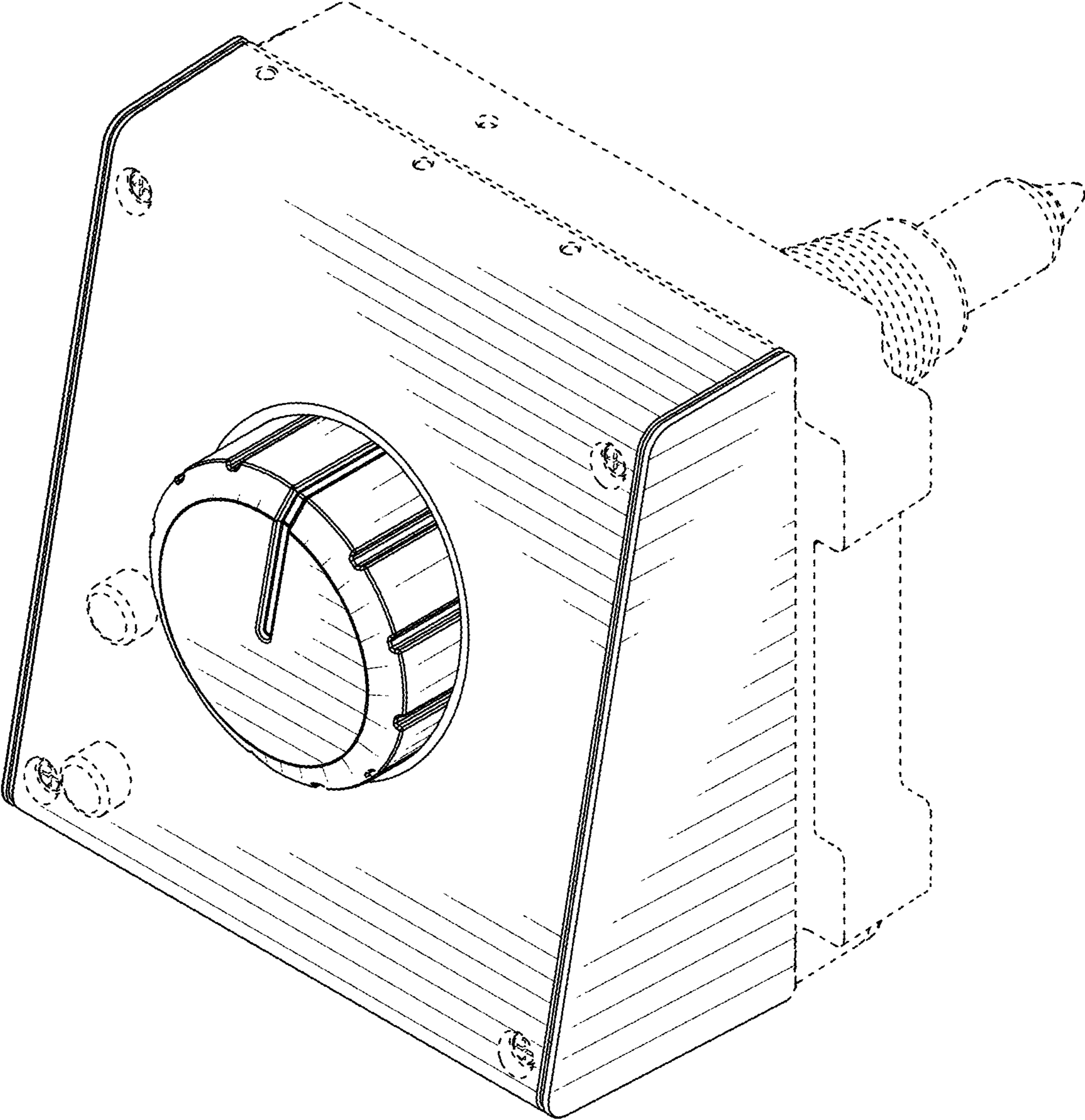


FIG. 1

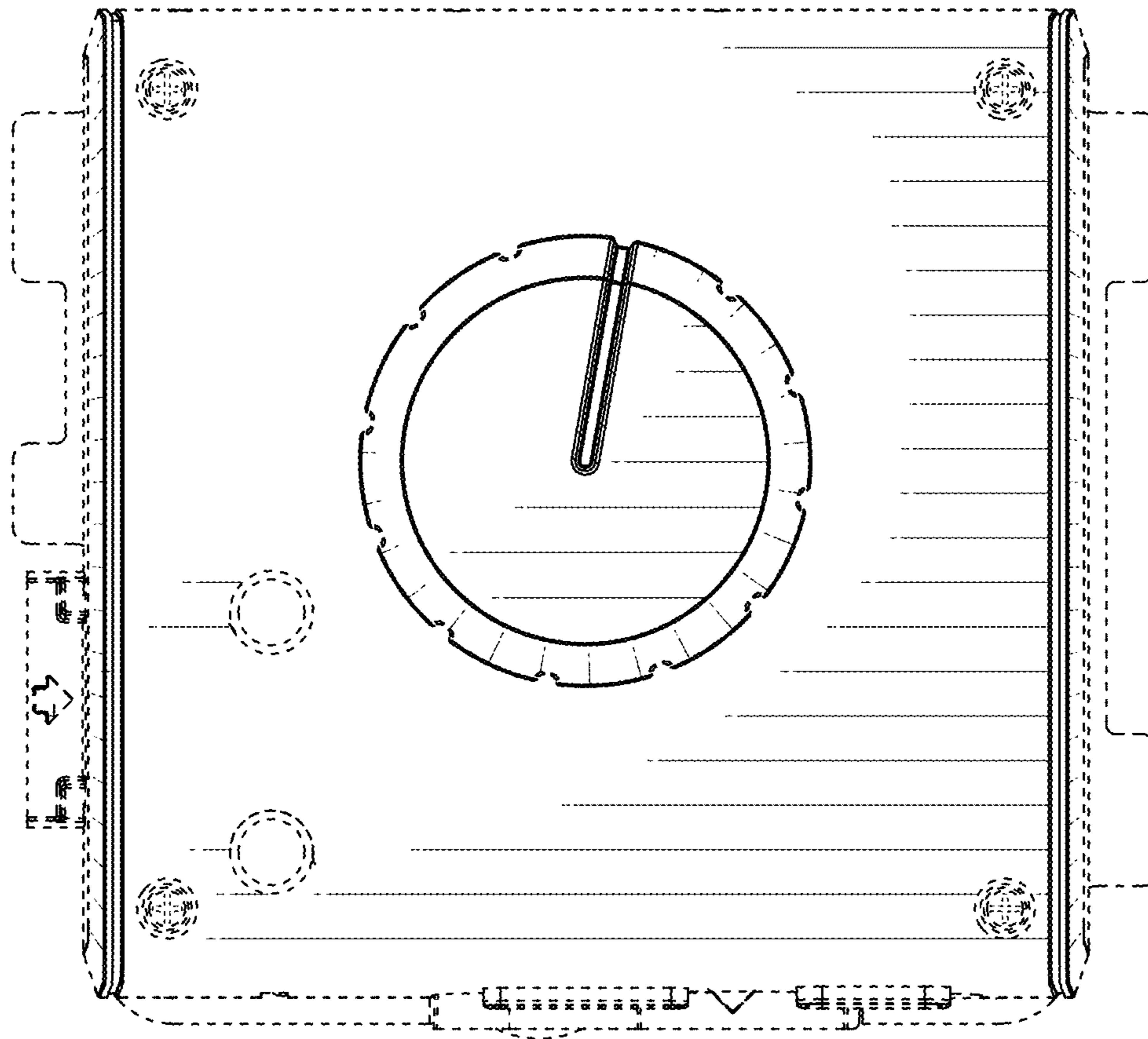


FIG. 2

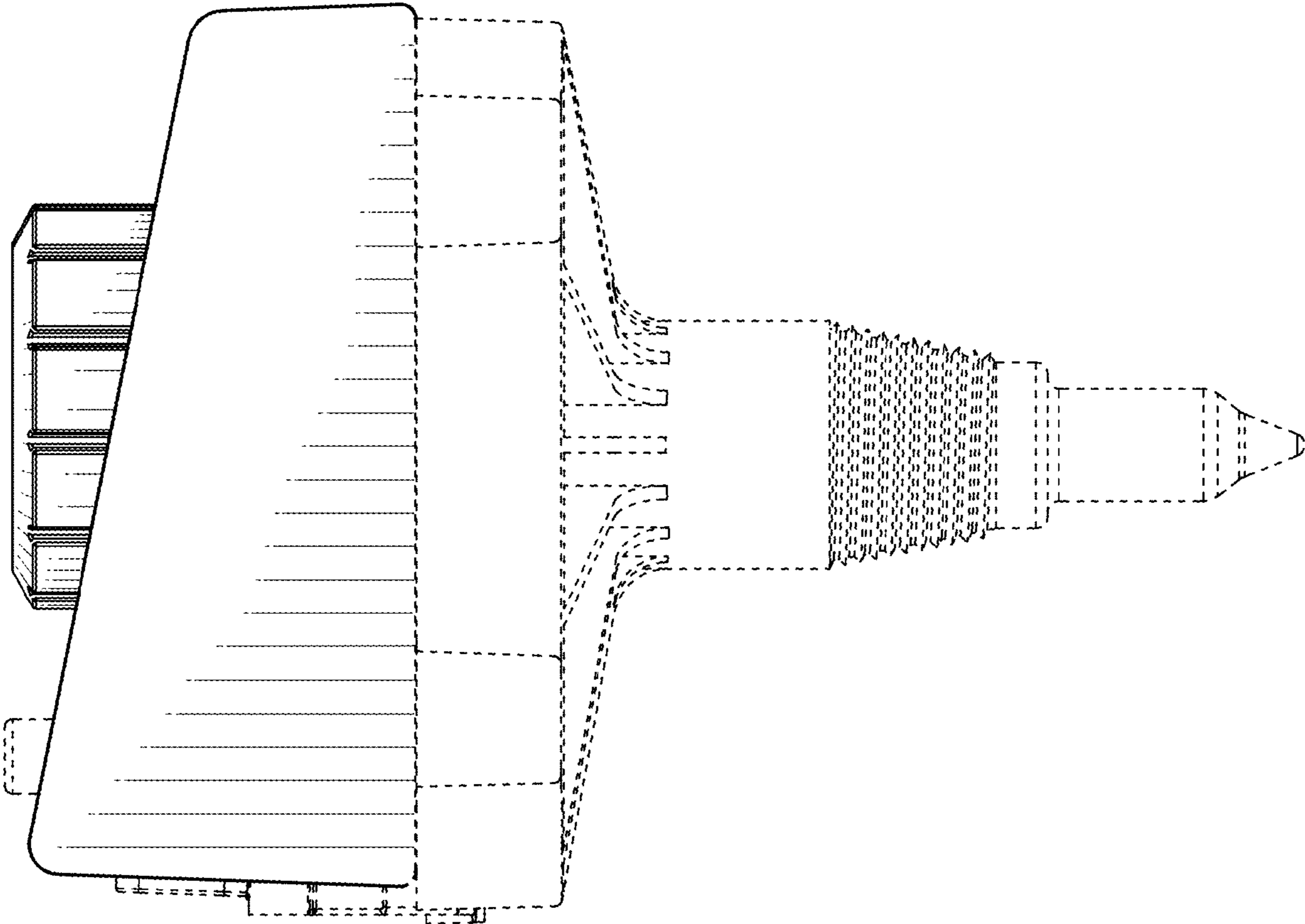


FIG. 3

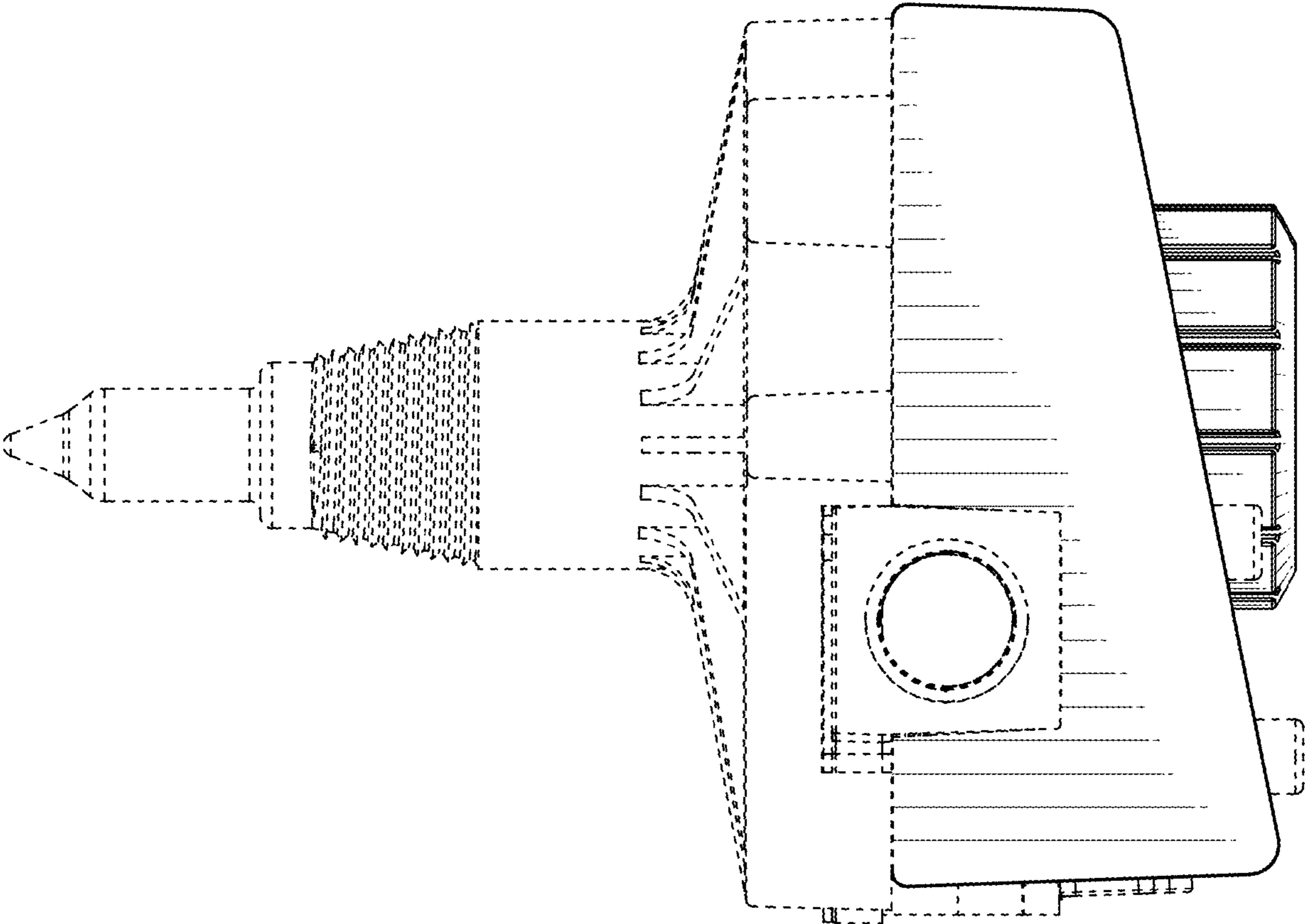


FIG. 4

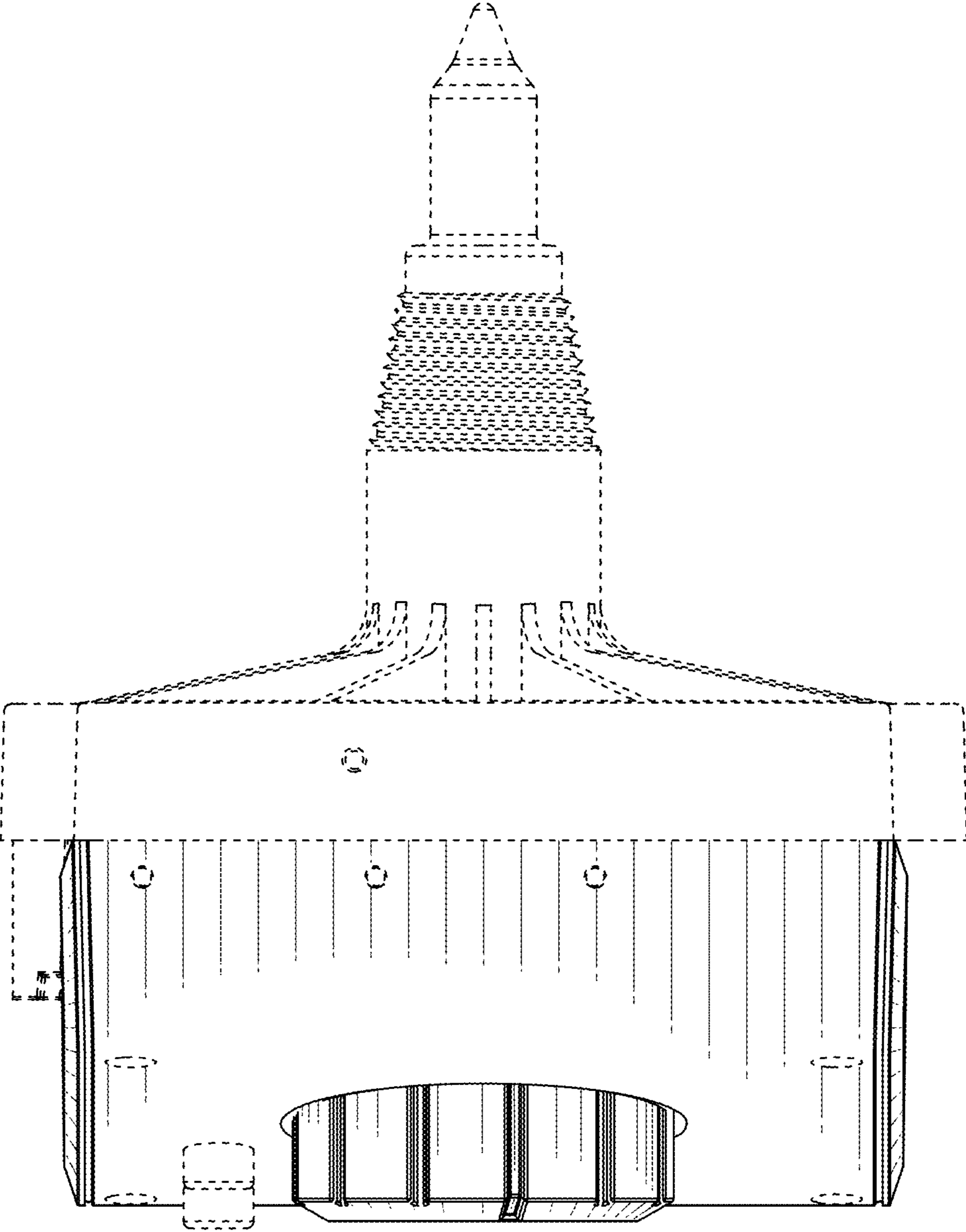


FIG. 5

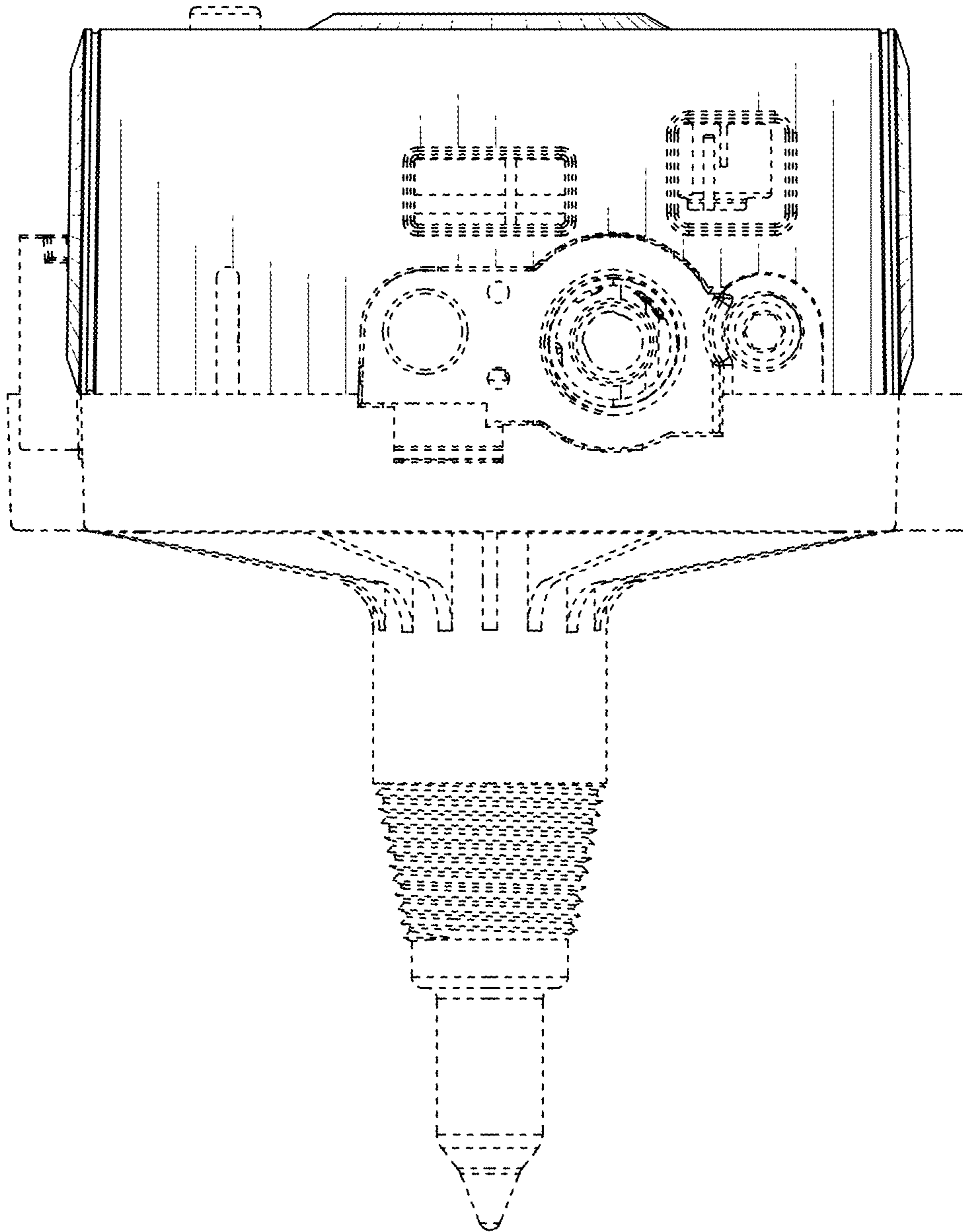


FIG. 6