



US00D893676S

(12) **United States Design Patent**  
**Lucas et al.**

(10) **Patent No.:** **US D893,676 S**  
(45) **Date of Patent:** **\*\* Aug. 18, 2020**

(54) **FUEL DISPENSER NOZZLE**  
(71) Applicant: **Gilbarco Inc.**, Greensboro, NC (US)  
(72) Inventors: **David Lucas**, Altoona, PA (US); **Brian Christopher Worley**, Beavercreek, OH (US); **Niranjn Srinivasan**, Beavercreek, OH (US); **Brandon Kirby**, Beavercreek, OH (US); **Andres Deogracias Viduya**, Export, PA (US)

(73) Assignee: **Gilbarco Inc.**, Greensboro, NC (US)

(\*\*) Term: **15 Years**

(21) Appl. No.: **29/691,894**

(22) Filed: **May 20, 2019**

(51) **LOC (12) Cl.** ..... **23-01**

(52) **U.S. Cl.**  
USPC ..... **D23/226**

(58) **Field of Classification Search**  
USPC ..... D23/213, 214, 215, 223, 224, 226, 229, D23/230  
CPC ..... A61H 9/0021; A61H 33/00; B05B 1/00; B05B 1/14; B05B 1/185; B05B 1/08; B05B 1/02; B05B 1/26; B05B 12/002; B05B 1/18; B05B 9/01; F16L 37/46; F16L 37/00; F17C 13/12; F17C 2205/0376

See application file for complete search history.

(56) **References Cited**

**U.S. PATENT DOCUMENTS**

3,323,560 A 6/1967 Karlheinz  
3,638,689 A 2/1972 Eklund  
3,938,565 A 2/1976 Robinson et al.  
D263,618 S \* 3/1982 Taylor ..... D23/226  
D317,969 S \* 7/1991 Lambert ..... D23/226  
5,067,533 A 11/1991 Carder, Sr. et al.  
D342,742 S \* 12/1993 Daul ..... D23/226  
5,341,855 A 8/1994 Rabinovich  
D350,386 S \* 9/1994 Dotson ..... D23/223

5,379,811 A 1/1995 Dotson et al.  
D355,704 S \* 2/1995 Simpson ..... D23/223  
D359,100 S \* 6/1995 Dotson ..... D23/223  
5,435,356 A 7/1995 Rabinovich  
5,469,900 A 11/1995 Weeks et al.  
5,645,115 A 7/1997 Kesterman et al.  
D516,673 S \* 3/2006 Chisholm ..... D23/226

(Continued)

**FOREIGN PATENT DOCUMENTS**

EP 1236678 A1 9/2002  
WO 2016168739 A1 10/2016

**OTHER PUBLICATIONS**

<https://www.amazon.com/Trupow-Automatic-Nozzle-Injector-Dispensing/dp/B06WLNK93W> (Year: 2017).\*

(Continued)

*Primary Examiner* — Manpreet S Matharu

*Assistant Examiner* — Keith J Wilson

(74) *Attorney, Agent, or Firm* — Nelson Mullins Riley & Scarborough, LLP

(57) **CLAIM**

The ornamental design for a fuel dispenser nozzle, substantially as shown and described.

**DESCRIPTION**

FIG. 1 is a perspective view of a new, original, and ornamental design of a fuel dispenser nozzle in accordance with the present invention;

FIG. 2 is a right side elevation view thereof;

FIG. 3 is a left side elevation view thereof;

FIG. 4 is a top side plan view thereof;

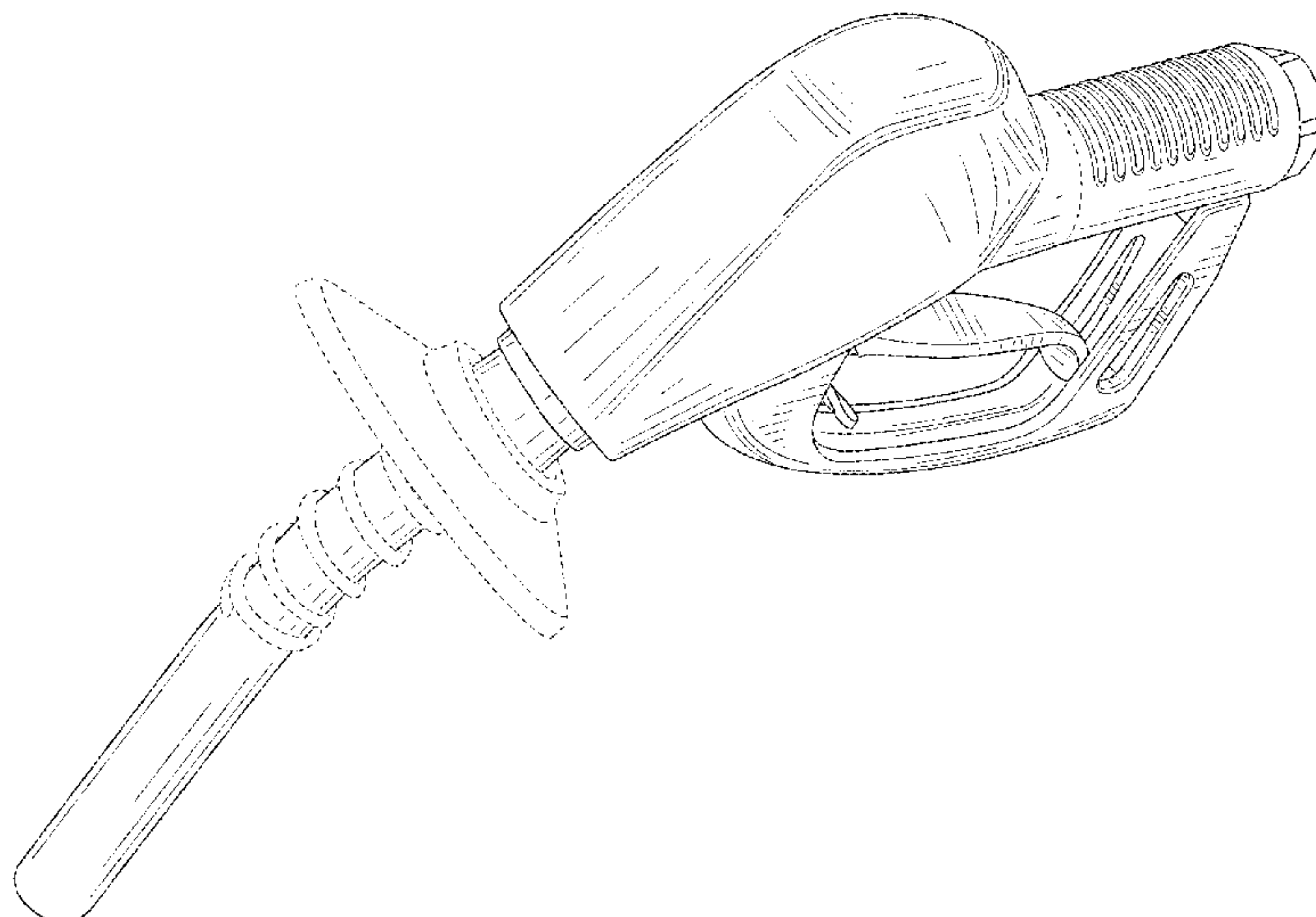
FIG. 5 is a bottom side plan view thereof;

FIG. 6 is a front side elevation view thereof; and,

FIG. 7 is a back side elevation view thereof.

The broken lines shown represent portions of a fuel dispenser nozzle and form no part of the claimed design.

**1 Claim, 7 Drawing Sheets**



(56)

**References Cited**

U.S. PATENT DOCUMENTS

D518,556 S \* 4/2006 Amaduzzi ..... D23/226  
 7,134,580 B2 \* 11/2006 Garrison ..... B67D 7/48  
 222/566  
 7,234,614 B1 \* 6/2007 Knight ..... B67D 7/42  
 137/312  
 D648,417 S \* 11/2011 Varini ..... D23/226  
 8,061,394 B2 11/2011 Weh et al.  
 D650,047 S \* 12/2011 Varini ..... D23/226  
 D656,221 S \* 3/2012 Gevers ..... D23/226  
 8,286,677 B2 10/2012 Grantham  
 8,434,531 B2 5/2013 Grantham  
 D684,664 S \* 6/2013 Gevers ..... D23/226  
 8,499,802 B2 8/2013 Falckenberg et al.  
 8,863,791 B2 10/2014 Aehle et al.  
 D734,427 S \* 7/2015 Bygbjerg ..... D23/213  
 9,242,849 B2 1/2016 Kunter et al.  
 D782,001 S \* 3/2017 Birch ..... D23/211.2  
 D803,984 S \* 11/2017 Tschopp ..... D23/226

9,821,179 B2 \* 11/2017 Kristensen ..... B05B 1/14  
 D829,862 S \* 10/2018 Lee ..... D23/223  
 D831,158 S \* 10/2018 Weh ..... D23/226  
 D850,582 S \* 6/2019 Weinberg ..... D23/226  
 D852,324 S \* 6/2019 Willfort ..... D23/226  
 D861,264 S \* 9/2019 Gu ..... D32/17  
 2012/0018534 A1 \* 1/2012 Gilpatrick ..... B05B 7/0876  
 239/310  
 2016/0347602 A1 12/2016 Clever et al.  
 2018/0304292 A1 \* 10/2018 Alexander ..... B05B 12/002  
 2019/0263654 A1 \* 8/2019 Wiersma ..... B67D 7/34  
 2019/0330048 A1 \* 10/2019 Sever ..... B67D 7/44

OTHER PUBLICATIONS

Co-pending design U.S. Appl. No. 29/691,895, filed May 20, 2019, all enclosed pages cited.

Co-pending U.S. Appl. No. 62/850,541, filed May 20, 2019, all enclosed pages cited.

\* cited by examiner

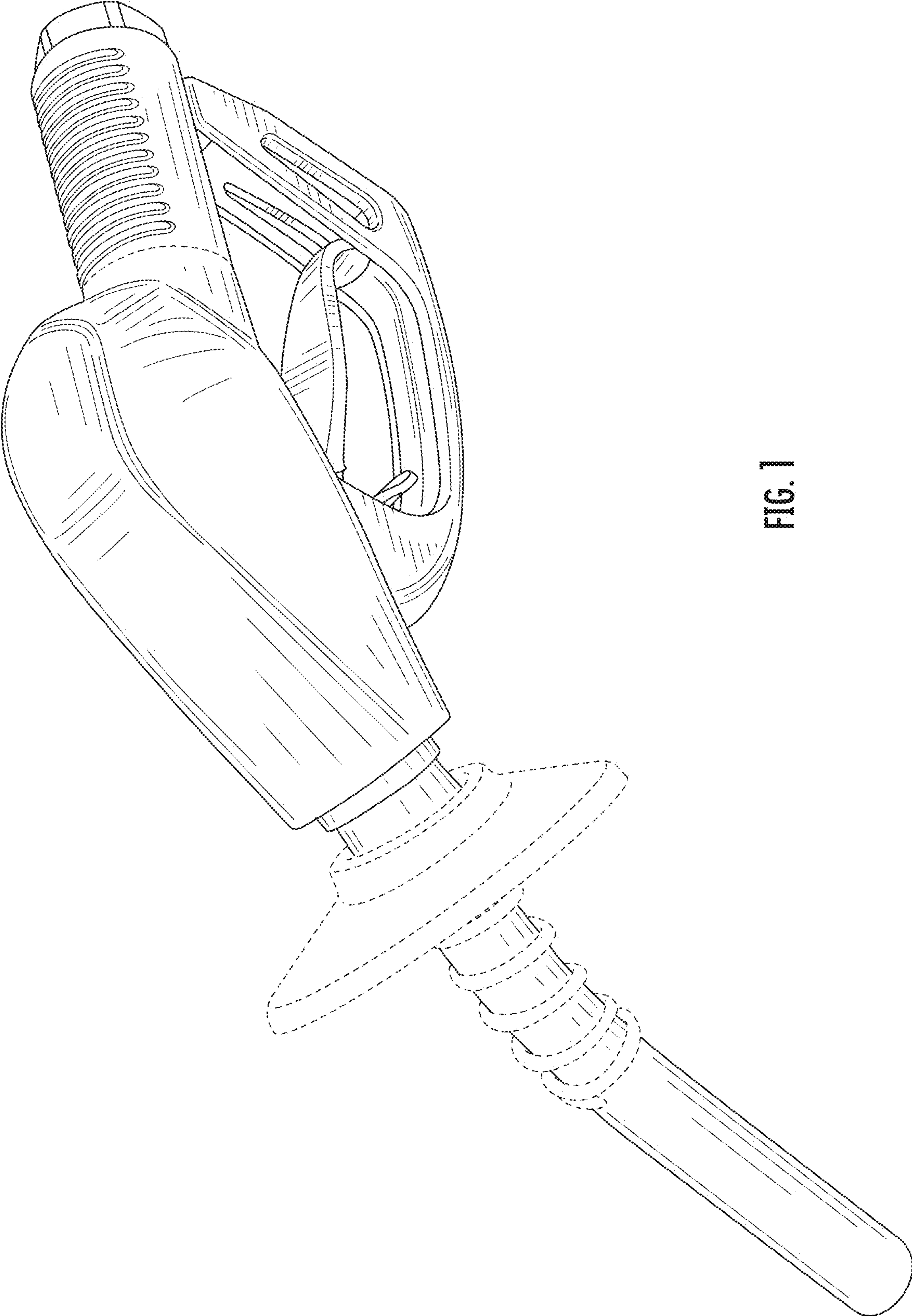


FIG. 1



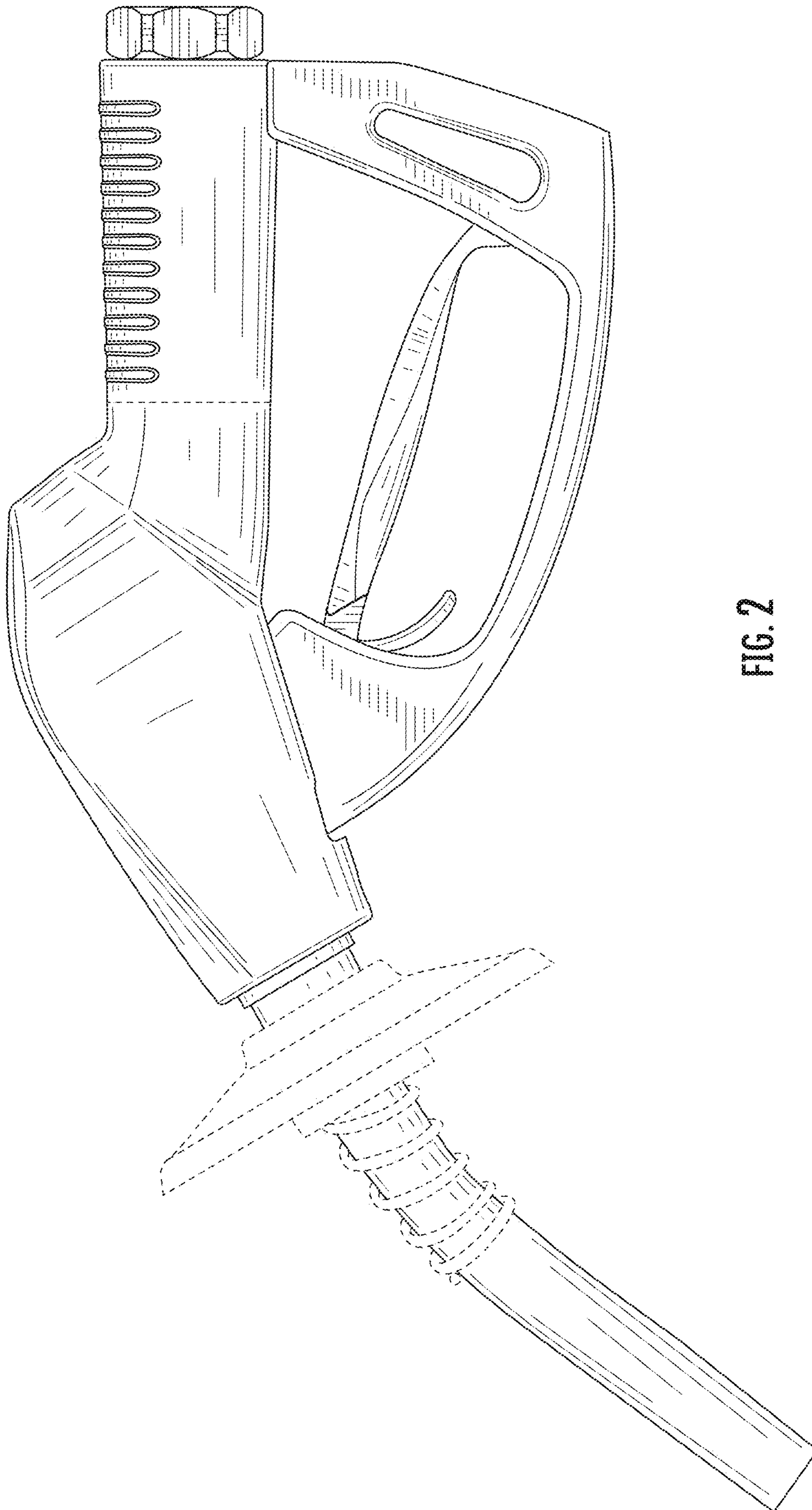


FIG. 2

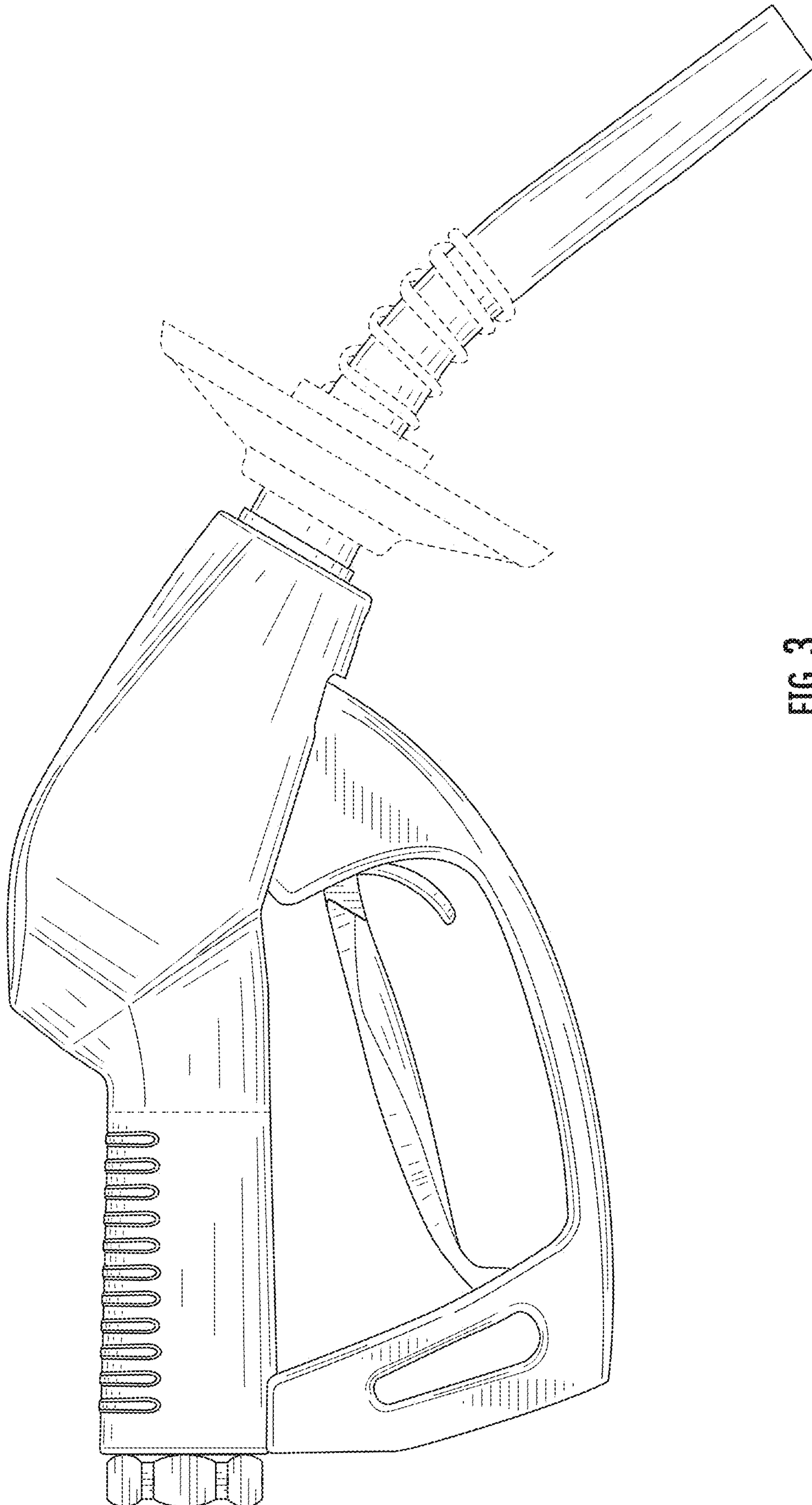


FIG. 3

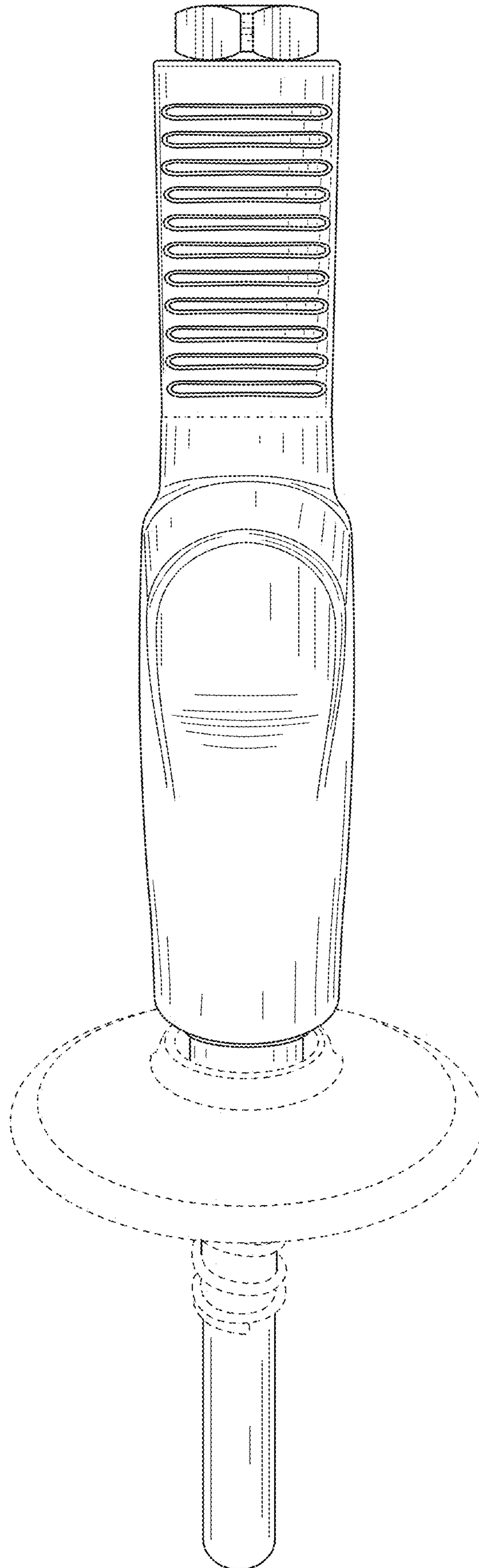


FIG. 4

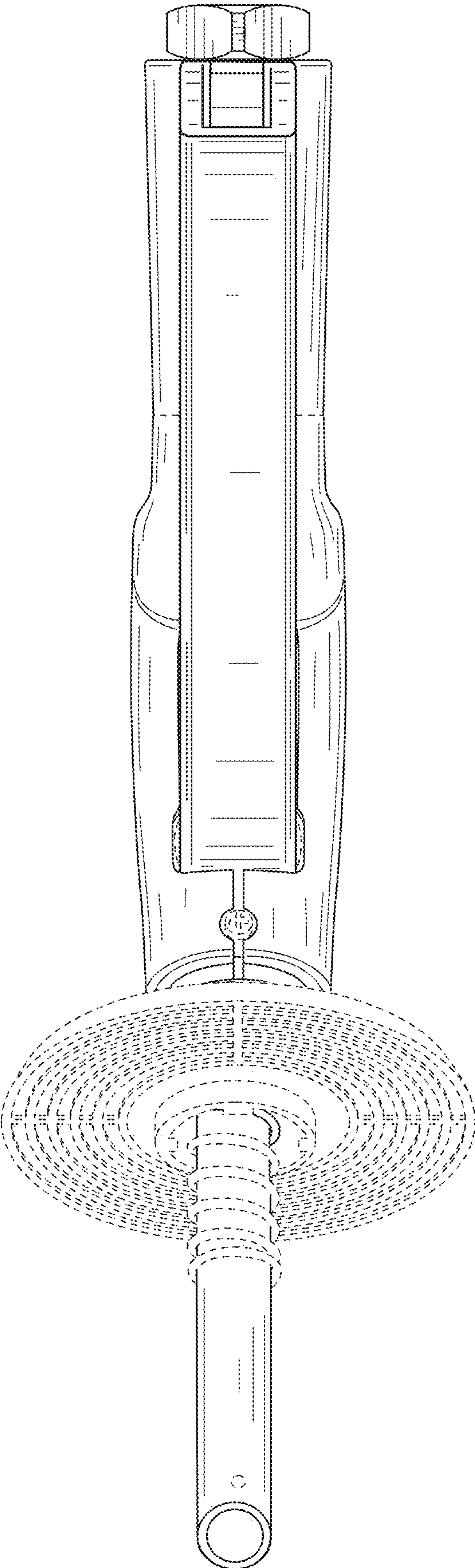


FIG. 5

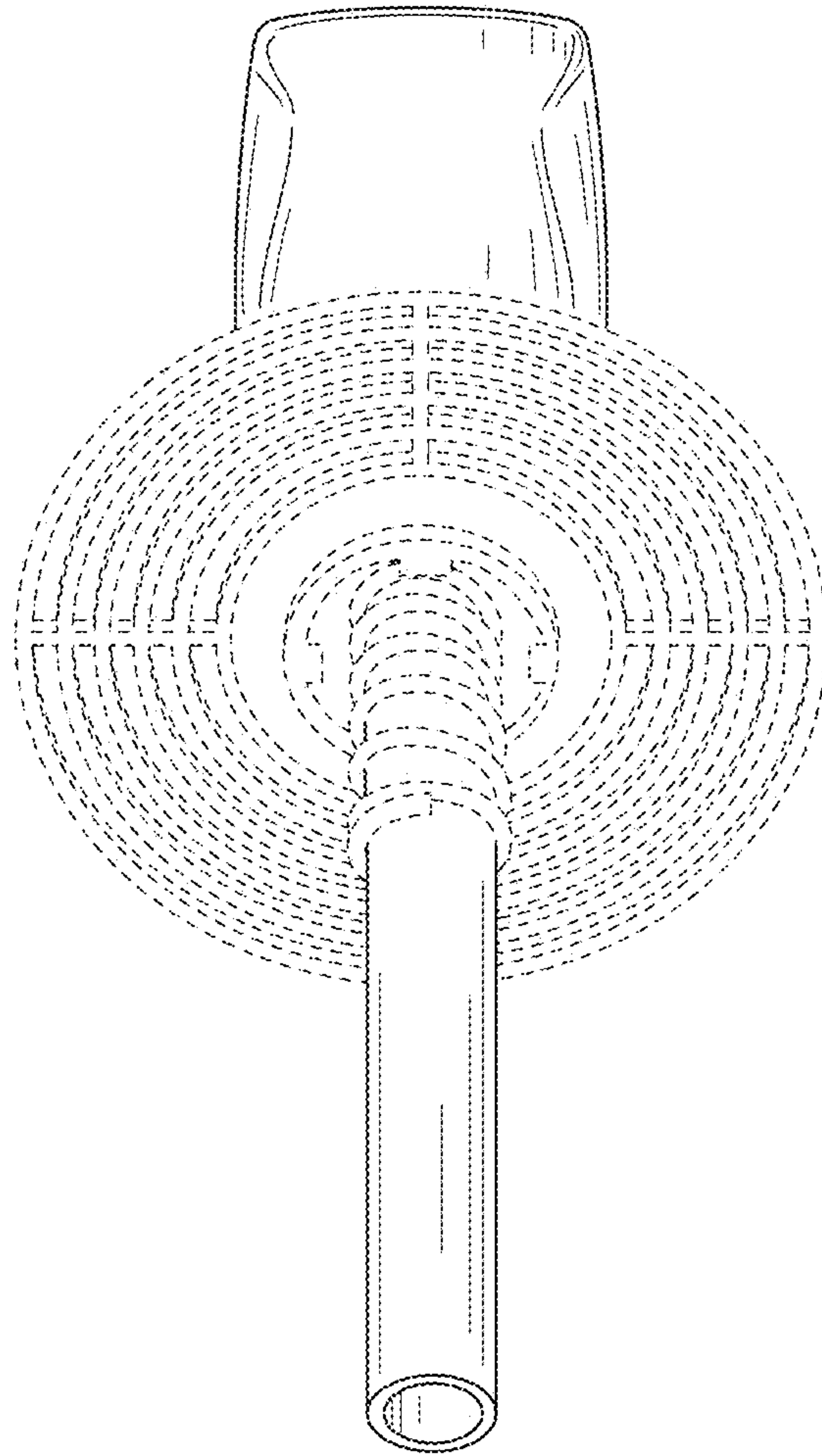


FIG. 6



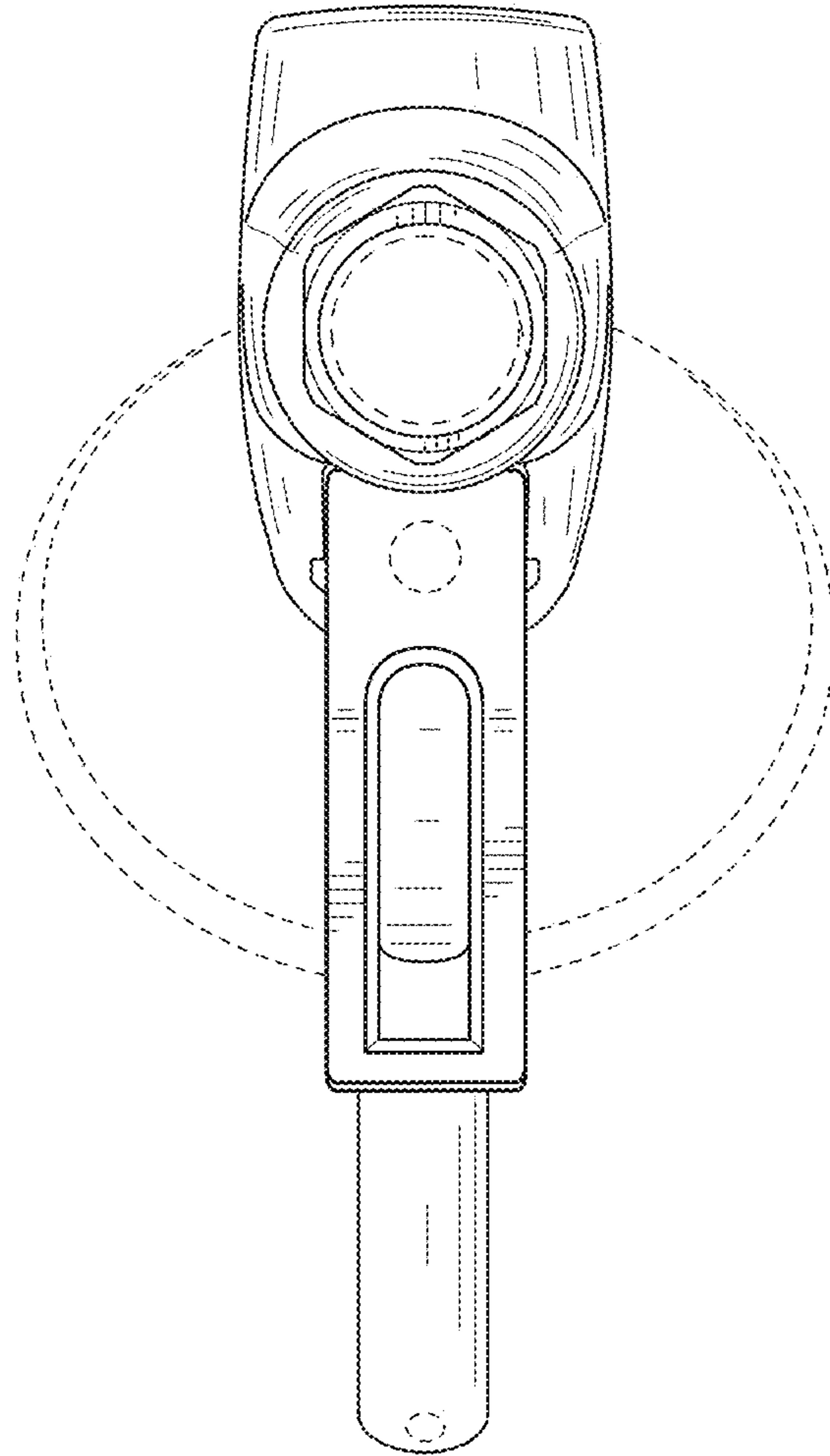


FIG. 7