



US00D893675S

(12) **United States Design Patent**
Hayner et al.

(10) **Patent No.:** **US D893,675 S**

(45) **Date of Patent:** **** Aug. 18, 2020**

(54) **HANSHOWER**

D590,913 S 4/2009 Smith
D607,971 S 1/2010 Barnard
D608,412 S 1/2010 Barnard

(Continued)

(71) Applicant: **Kohler Co.**, Kohler, WI (US)

(72) Inventors: **Tory L. Hayner**, Howards Grove, WI (US); **Margaret C. Mazz**, Sheboygan, WI (US)

(73) Assignee: **KOHLER CO.**, Kohler, WI (US)

(**) Term: **15 Years**

(21) Appl. No.: **29/662,264**

(22) Filed: **Sep. 4, 2018**

(51) **LOC (12) Cl.** **23-01**

(52) **U.S. Cl.**
USPC **D23/223**; D23/213

(58) **Field of Classification Search**
USPC D23/213, 214, 215, 223, 224, 226, 229, D23/230
CPC A61H 9/0021; A61H 33/00; B05B 1/00; B05B 1/14; B05B 1/185; B05B 1/08; B05B 1/02; B05B 1/26; B05B 12/002; B05B 1/18; B05B 9/01
See application file for complete search history.

(56) **References Cited**

U.S. PATENT DOCUMENTS

D337,810 S	7/1993	Bengtson	
D352,347 S	11/1994	Dannenberg	
D487,498 S *	3/2004	Blomstrom D23/213
D501,243 S	1/2005	Blomstrom	
D508,730 S *	8/2005	Blomstrom D23/229
D509,282 S	9/2005	Blomstrom	
D522,612 S	6/2006	Eilmus	
D524,412 S *	7/2006	Blomstrom D23/229
D533,627 S	12/2006	Kirar	
D534,987 S	1/2007	Elimus	
D534,994 S	1/2007	Tsai	
D565,699 S	4/2008	Berberet	

OTHER PUBLICATIONS

https://www.amazon.com/Kohler-22163-G-PB-Bancroft-Handshower-Polished/dp/B07KMLSH75/ref=sr_1_39?dchild=1&keywords=kohler+hand+shower&qid=1585940637&sr=8-39 (Year: 2018).*
2016 Kohler Price Book for Faucets, pp. 129-130.

Primary Examiner — Manpreet S Matharu

Assistant Examiner — Keith J Wilson

(74) *Attorney, Agent, or Firm* — Foley & Lardner LLP

(57) **CLAIM**

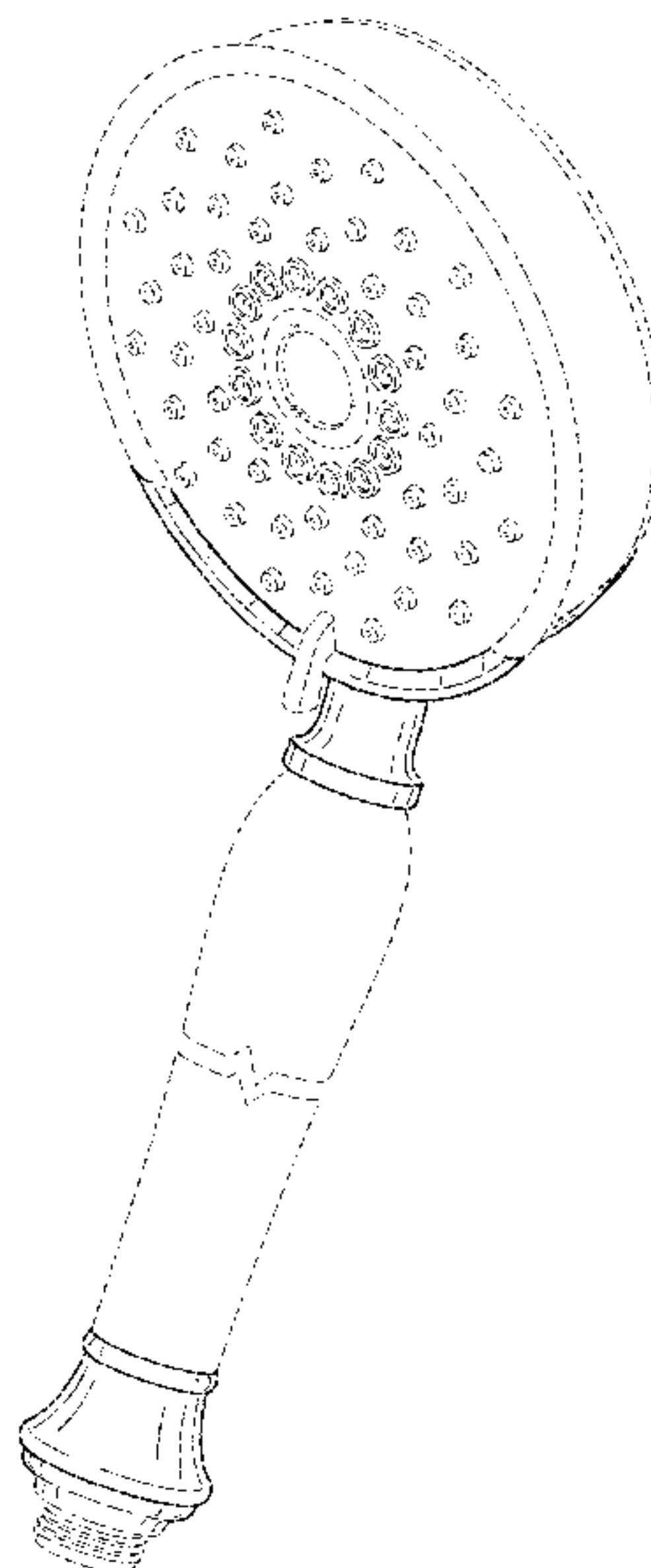
We claim the ornamental design for a handshower, as shown and described.

DESCRIPTION

FIG. 1 is a perspective view of an embodiment of the claimed design;
FIG. 2 is a front view of the claimed design show in FIG. 1;
FIG. 3 is a rear view of the claimed design show in FIG. 1;
FIG. 4 is a side view of the claimed design show in FIG. 1;
FIG. 5 is another side view of the claimed design show in FIG. 1;
FIG. 6 is a top view of the claimed design shown in FIG. 1;
and,
FIG. 7 is a bottom view of the claimed design shown in FIG. 1.

The ornamental design that is claimed is shown in the drawings as solid lines and surfaces having surface shading. The (dash-dash) broken lines shown represent portions of a handshower and form no part of the claimed design. Broken lines formed of unequal length dashes (i.e., dash-dot) show boundaries between either claimed and unclaimed portions of the design or between unclaimed and unclaimed portions of the design.

1 Claim, 6 Drawing Sheets



(56)

References Cited

U.S. PATENT DOCUMENTS

D608,413 S 1/2010 Barnard
 D629,868 S 12/2010 Barnard
 D656,219 S 3/2012 Su
 D680,619 S * 4/2013 Zhadanov D23/223
 D681,776 S * 5/2013 Cutler D23/223
 D694,357 S * 11/2013 Brodey D23/213
 D694,359 S * 11/2013 Schoenherr D23/213
 D707,330 S * 6/2014 Schoenherr D23/223
 D713,003 S 9/2014 Sandee
 D713,004 S * 9/2014 Schoenherr D23/223
 D713,496 S * 9/2014 Schoenherr D23/213
 D718,418 S * 11/2014 Georgeson D23/213
 D730,493 S * 5/2015 Sehl D23/261
 D733,258 S * 6/2015 Sandee D23/223
 D737,929 S 9/2015 Rexach
 D737,930 S 9/2015 Rexach
 D737,931 S * 9/2015 Schoenherr D23/223
 D737,932 S * 9/2015 Nikles D23/223
 D743,507 S * 11/2015 Georgeson D23/252
 D746,955 S * 1/2016 Corder D23/261
 D752,711 S * 3/2016 Georgeson D23/213

9,387,495 B2 * 7/2016 Schumacher B05B 1/30
 D778,404 S * 2/2017 Schoenherr D23/223
 D779,038 S * 2/2017 Hanna D23/223
 D779,039 S * 2/2017 Hanna D23/223
 D801,475 S * 10/2017 Naslund D23/213
 D803,350 S * 11/2017 Tian D23/213
 D808,499 S * 1/2018 Naslund D23/213
 D809,094 S * 1/2018 Naslund D23/213
 D810,233 S * 2/2018 Winter D23/213
 D810,861 S * 2/2018 Weaver D23/213
 D811,524 S * 2/2018 Bossini D23/223
 D820,388 S * 6/2018 Seum D23/213
 D820,949 S * 6/2018 Reinecker D23/213
 D821,542 S * 6/2018 Reinecker D23/213
 D824,485 S * 7/2018 Montoya D23/213
 D833,575 S * 11/2018 Soulier D23/223
 D839,384 S * 1/2019 Svendsen D23/213
 D840,503 S * 2/2019 Stein D23/213
 D841,121 S * 2/2019 Kiefer D23/213
 D841,125 S * 2/2019 Lai D23/223
 D842,429 S * 3/2019 Huang D23/213
 D842,430 S * 3/2019 Huang D23/213
 D842,431 S * 3/2019 Cacka D23/213
 D842,967 S * 3/2019 Farley D23/213

* cited by examiner

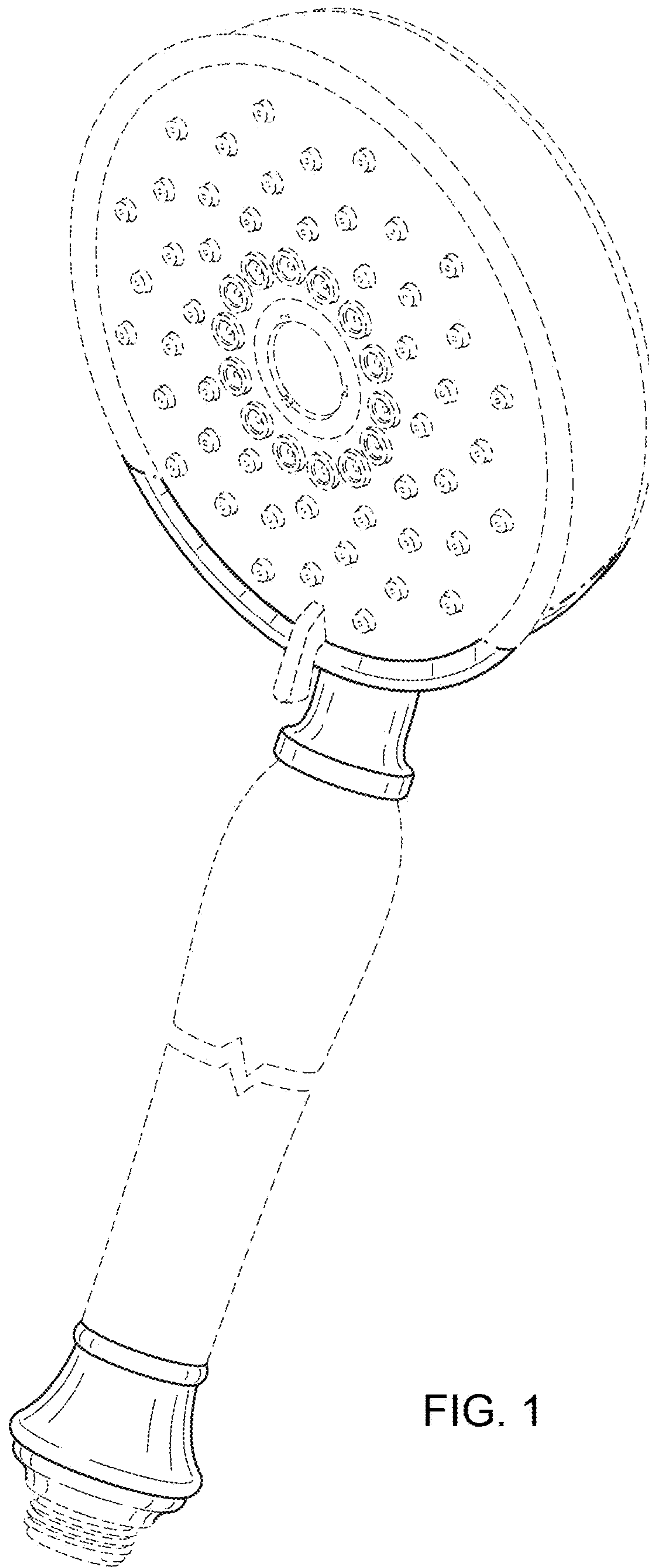


FIG. 1

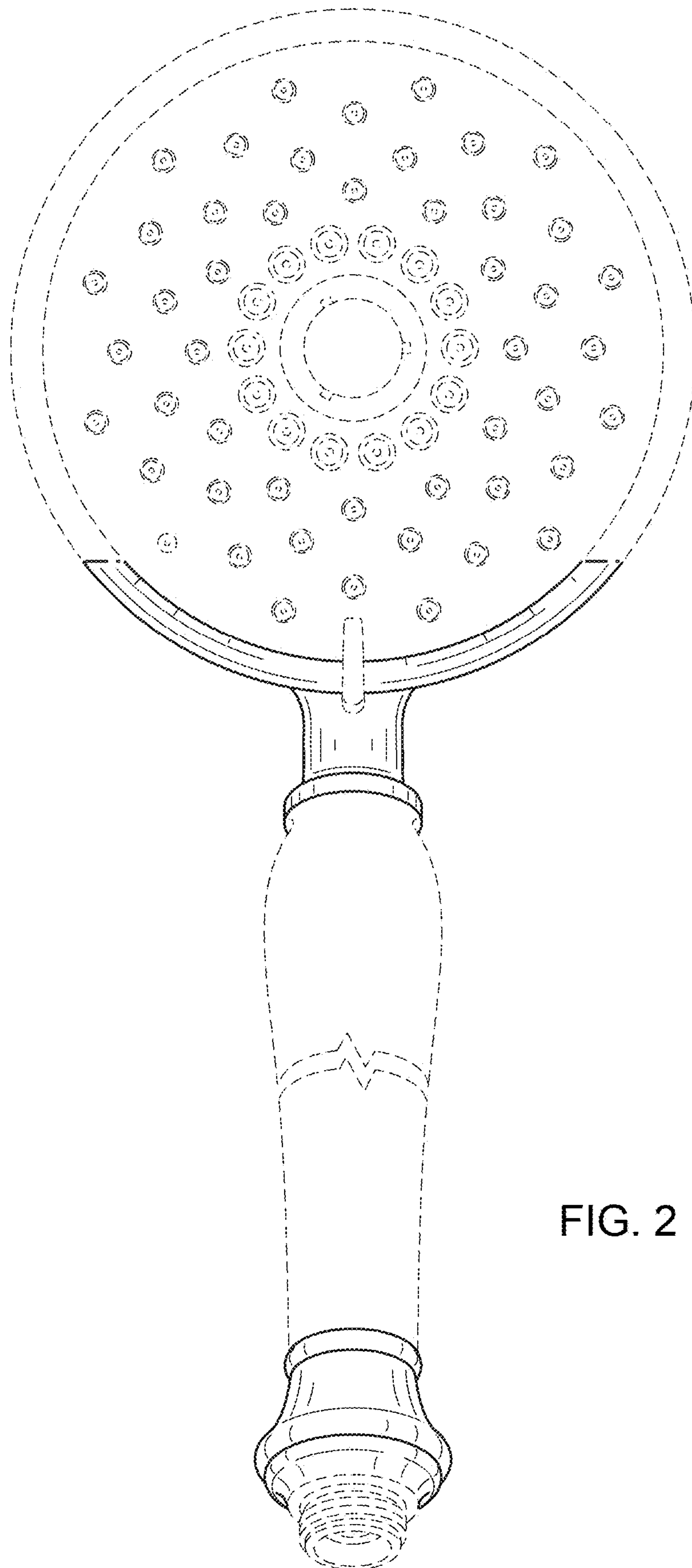


FIG. 2

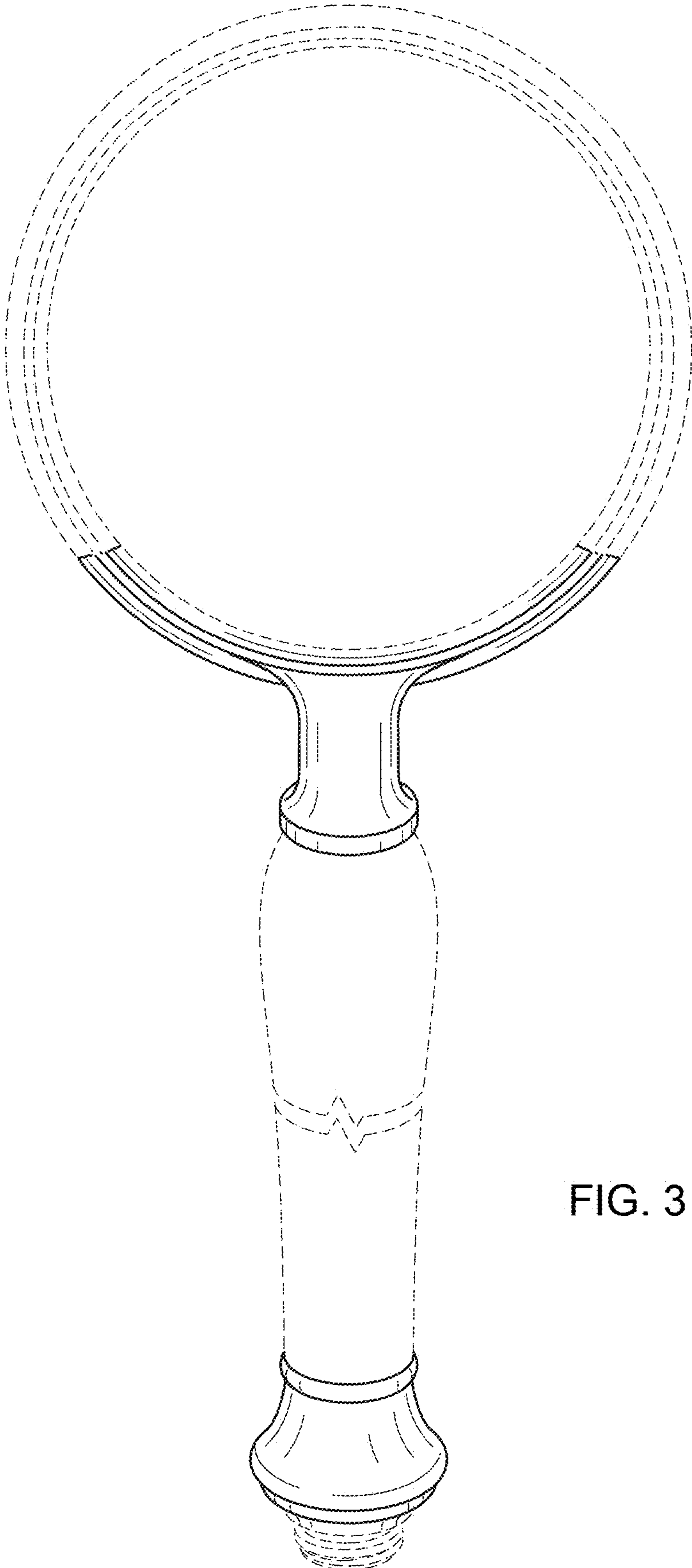


FIG. 3

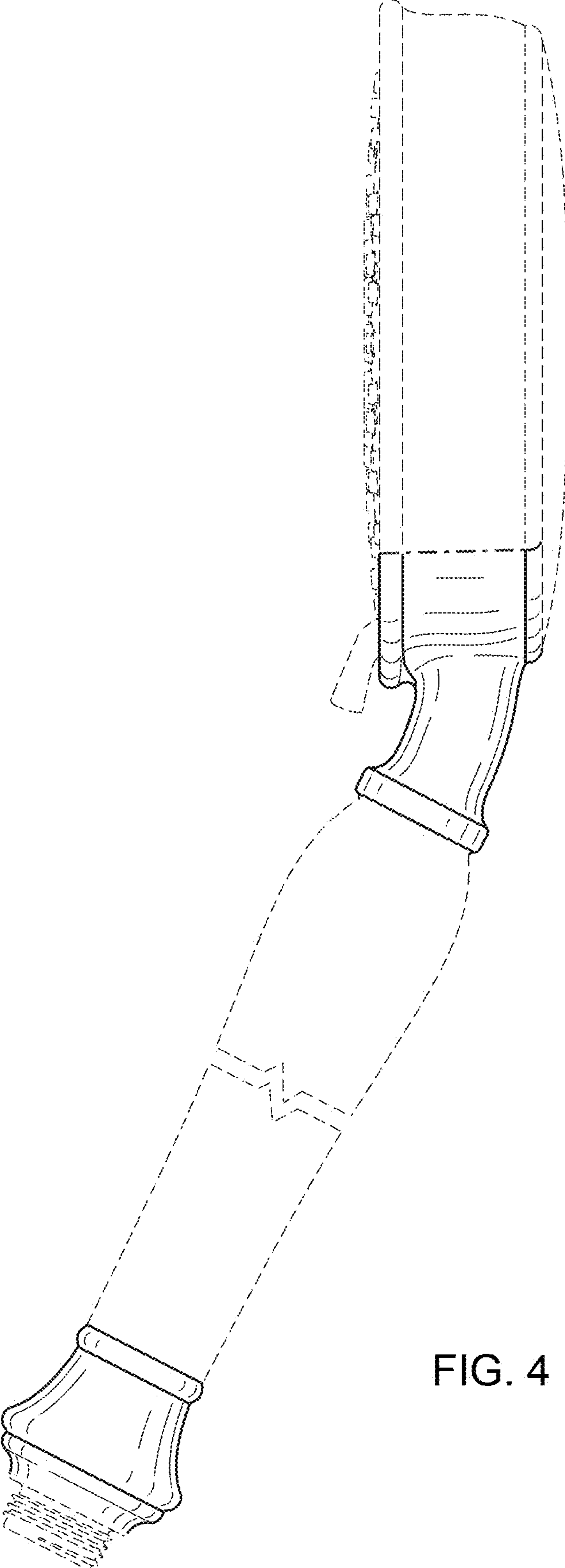


FIG. 4

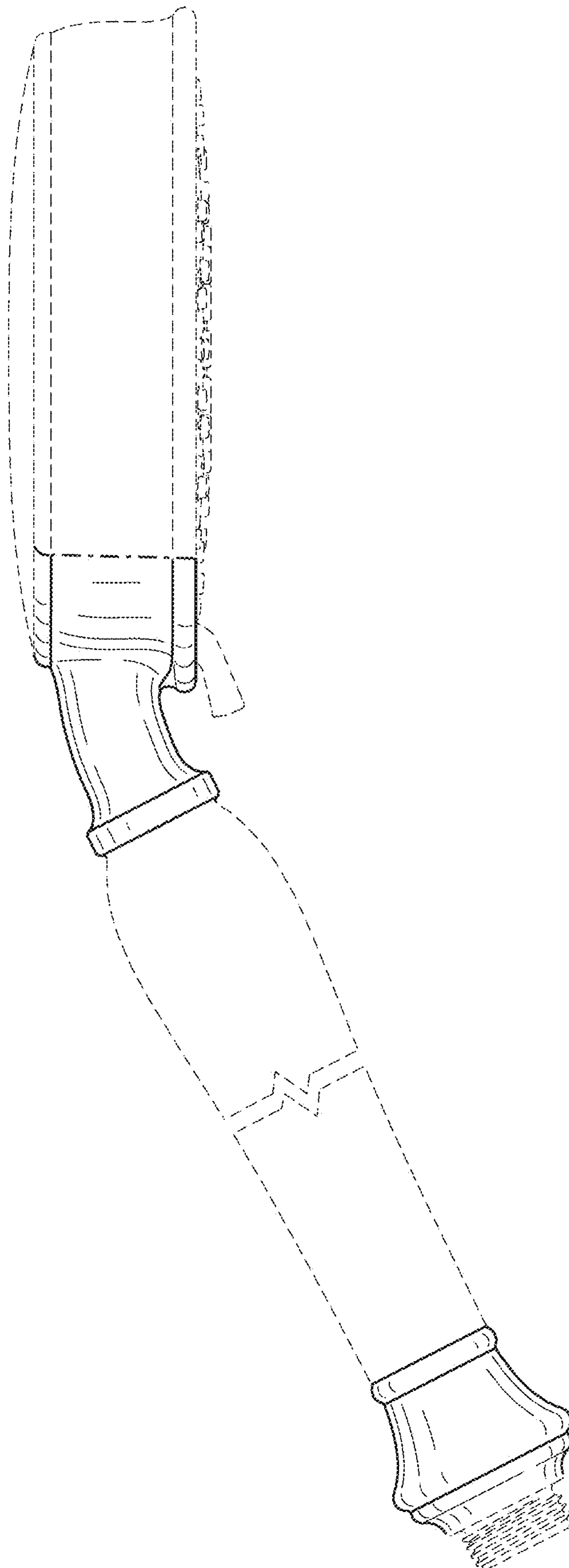


FIG. 5

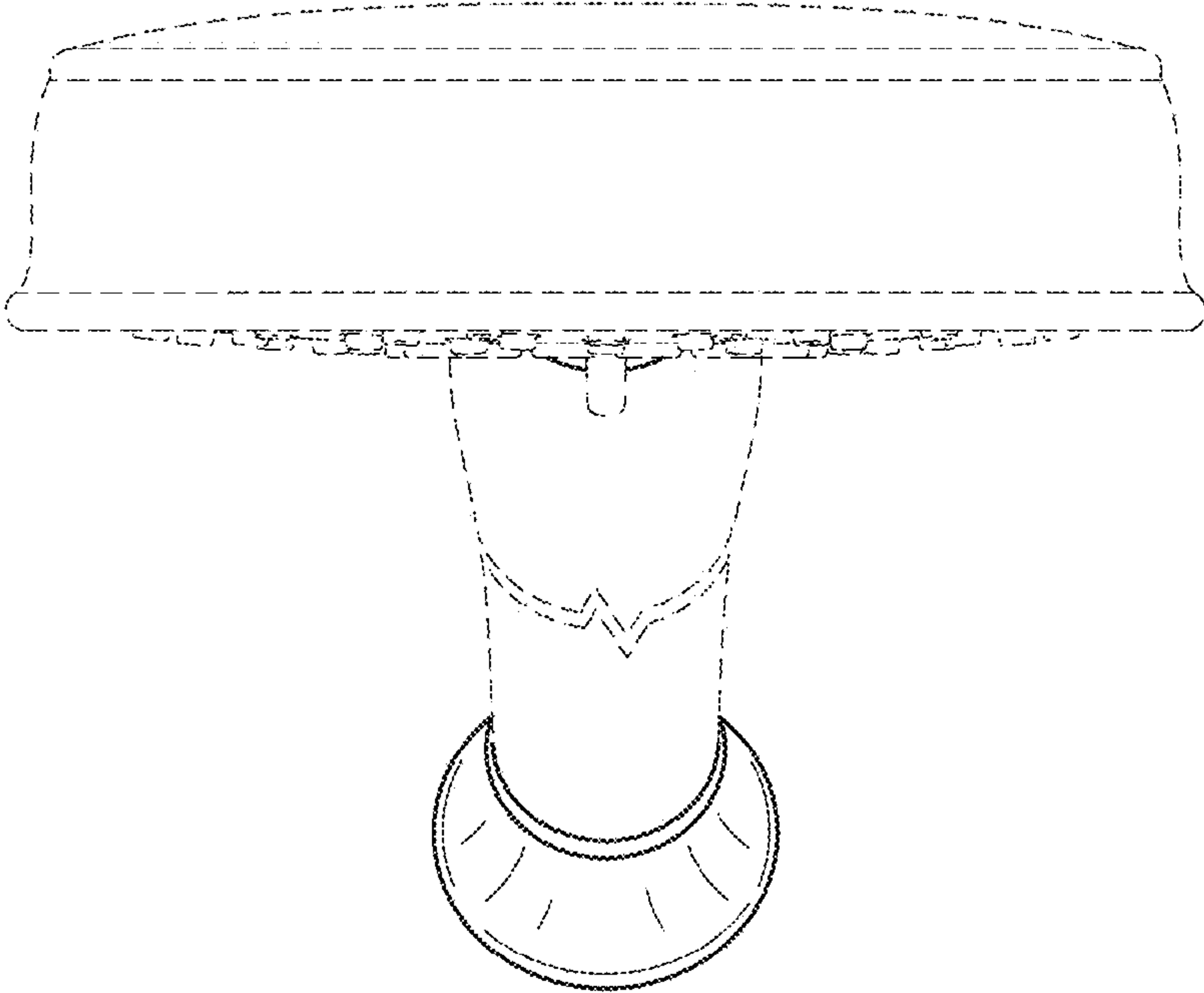


FIG. 6

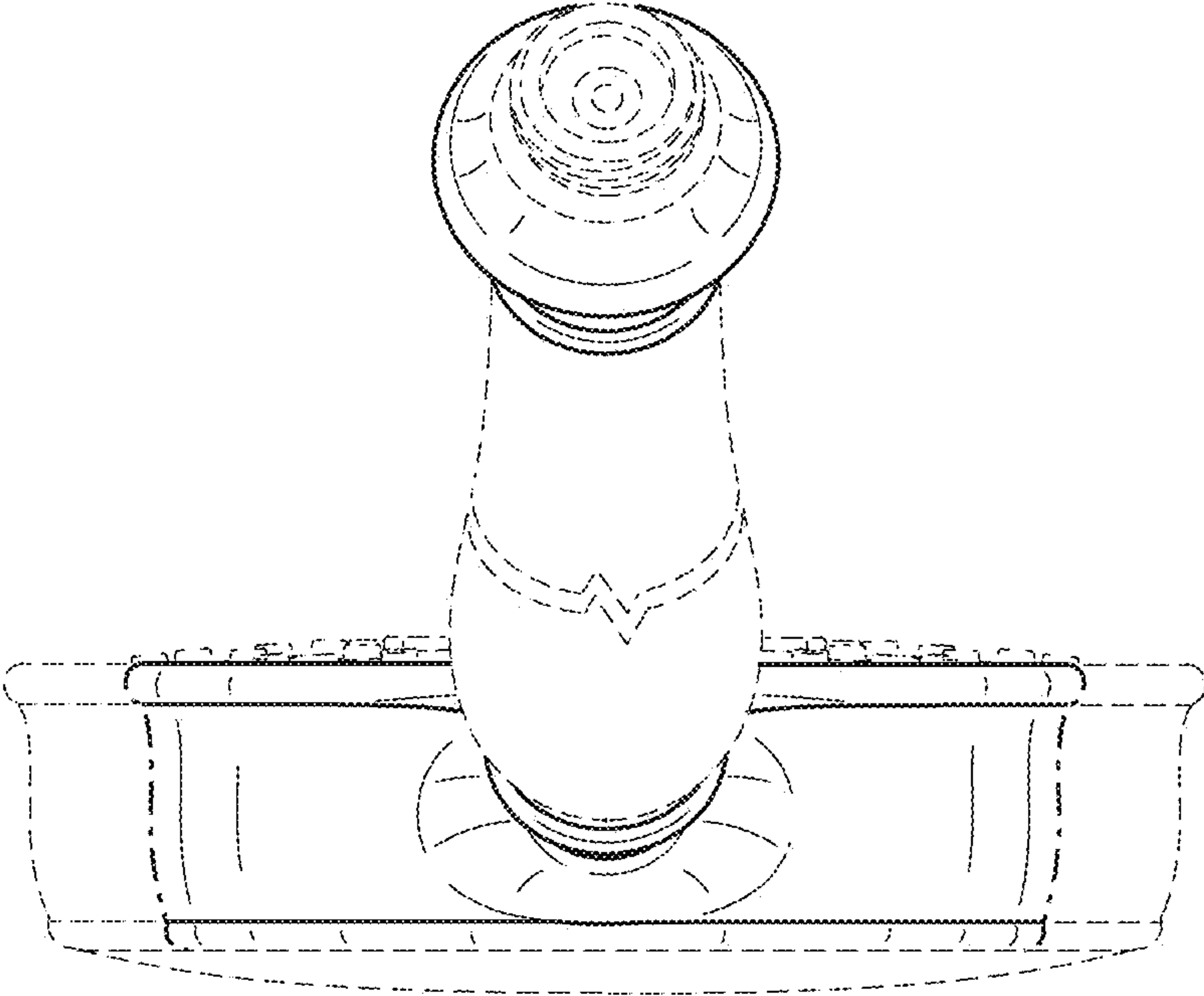


FIG. 7