



US00D893673S

(12) **United States Design Patent**
Wei

(10) **Patent No.:** **US D893,673 S**

(45) **Date of Patent:** **** Aug. 18, 2020**

(54) **WATER FILTER**

(71) Applicant: **Tianjin Tianchuang Best Pure Environmental Science and Technology Co., Ltd., Tianjin (CN)**

(72) Inventor: **Enyu Wei, Tianjin (CN)**

(73) Assignee: **Tianjin Tianchuang Best Pure Environmental Science and Technology Co., Ltd., Tianjin (CN)**

(**) Term: **15 Years**

(21) Appl. No.: **29/655,813**

(22) Filed: **Jul. 7, 2018**

(30) **Foreign Application Priority Data**

May 11, 2018 (CN) 2018 3 0215117

(51) **LOC (12) Cl.** **23-01**

(52) **U.S. Cl.**
USPC **D23/209**

(58) **Field of Classification Search**
USPC D23/200, 207, 209, 260, 261, 262;
D7/412, 414; D8/499; D32/35; 4/287,
4/295, 689; 210/223, 321.61, 512.1
CPC B01D 35/30; B01D 35/153; B01D 35/306;
B01D 2201/30; B01D 2201/29; B01D
24/10; B01D 36/02; B01D 29/035; B01D
29/0009; C02F 1/002; C02F 1/003
See application file for complete search history.

(56) **References Cited**

U.S. PATENT DOCUMENTS

4,906,371 A * 3/1990 Miller B01D 63/061
210/321.61
D472,604 S * 4/2003 Fritze D23/209
6,951,611 B2 * 10/2005 Dannenmaier B01D 63/021
156/169
D546,412 S * 7/2007 Kennedy D23/209

D547,821 S * 7/2007 Kennedy D23/207
D673,242 S * 12/2012 Rowe D23/209
D750,737 S * 3/2016 Ashley D23/209
D835,752 S * 12/2018 Spiegel D23/209
2017/0066659 A1 * 3/2017 Sun C02F 1/002

OTHER PUBLICATIONS

Bestpure outdoor portable water filter for camping, hiking & travel [Jul. 27, 2019] found online [Jul. 27, 2019]—<http://www.waterfiltersfactory.com/products/Outdoor-Water-Purifier/Portable-Filter/portable-drinking-water-filter.html>.
Sawyer Mini Vs Saywer Squeeze Water Filter System YouTube video [Jul. 27, 2019] found online [Jul. 27, 2019]—<https://www.youtube.com/watch?v=E3VmSVJh24I>.

* cited by examiner

Primary Examiner — Lakiya G Rogers

Assistant Examiner — John A Voytek

(74) *Attorney, Agent, or Firm* — Mei & Mark LLP;
Manni Li; Lei Mei

(57) **CLAIM**

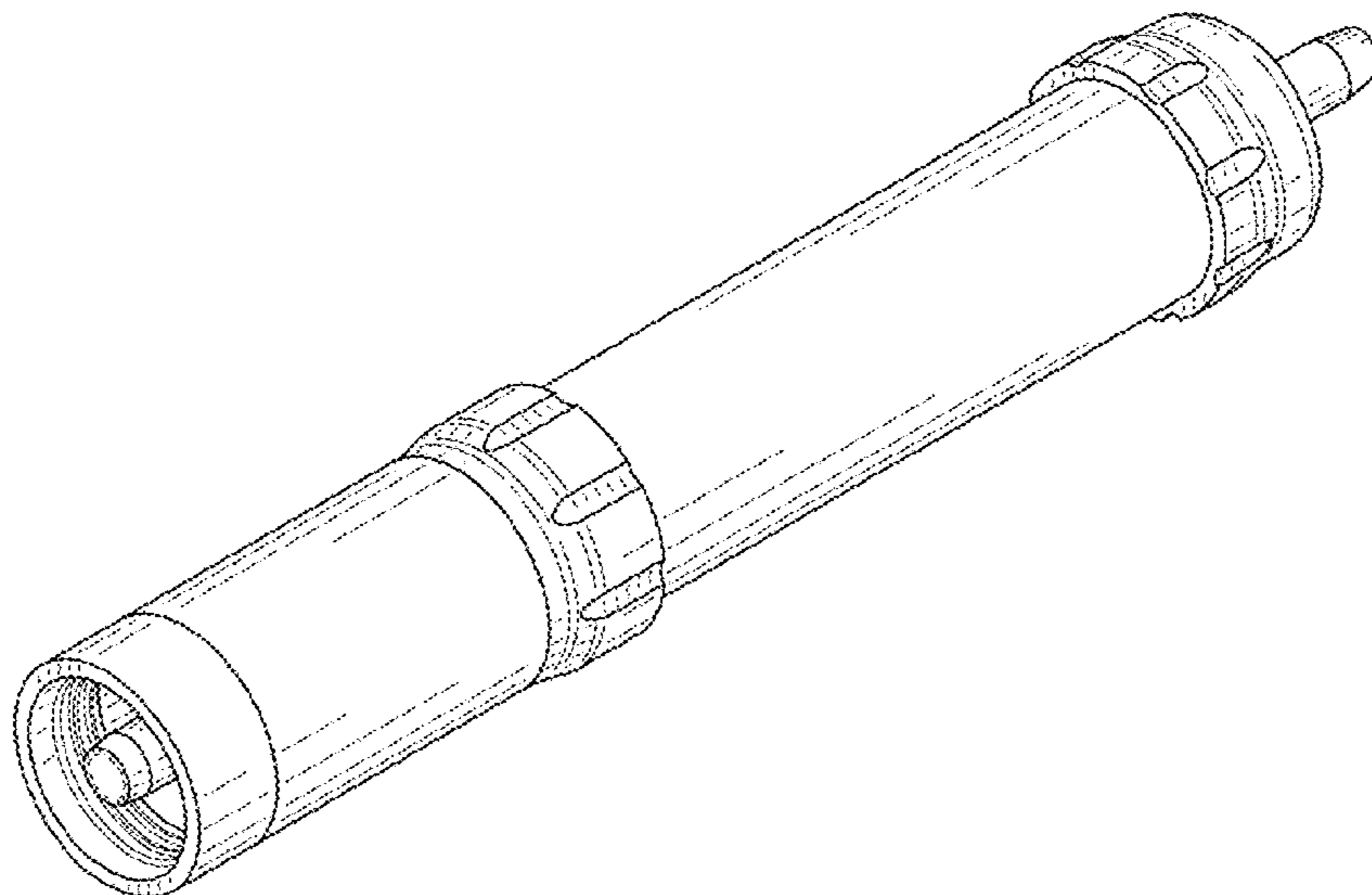
The ornamental design for a water filter, as shown and described.

DESCRIPTION

FIG. 1 is a perspective view of a water filter according the present invention;
FIG. 2 is a front view thereof;
FIG. 3 is a rear view thereof;
FIG. 4 is a top view thereof;
FIG. 5 is a bottom view thereof;
FIG. 6 is a left view thereof; and,
FIG. 7 is a right view thereof.

In the drawings, the broken lines depict portions of the water filter; that form no part of the claimed design. Portions not shown in the drawings are not visible during use and form no part of the claimed design.

1 Claim, 3 Drawing Sheets



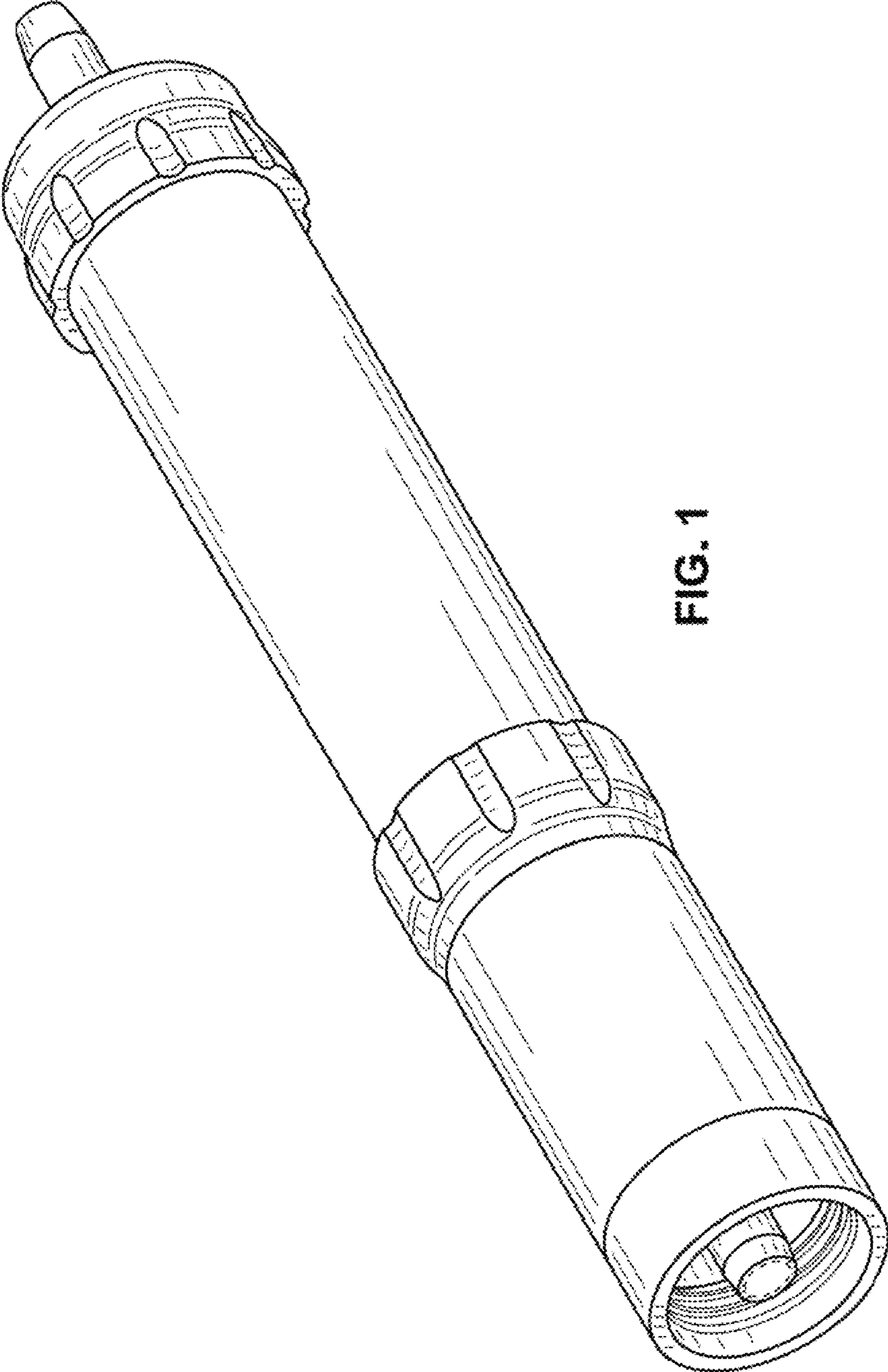


FIG. 1

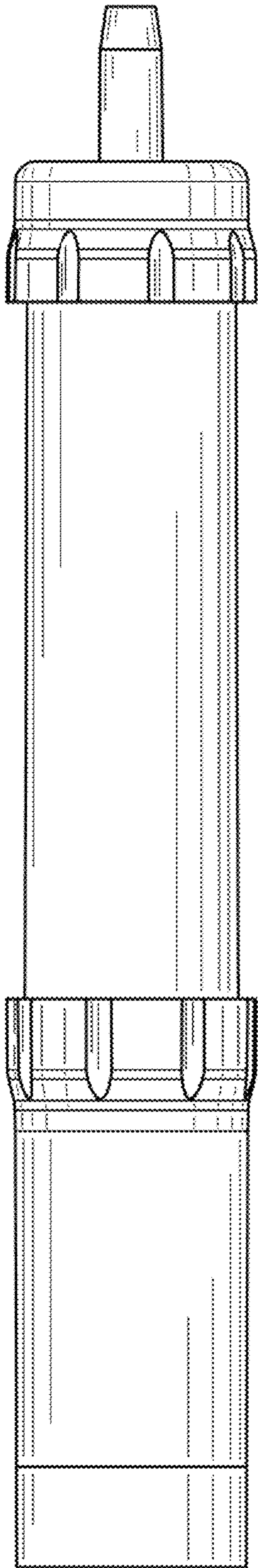


FIG. 2

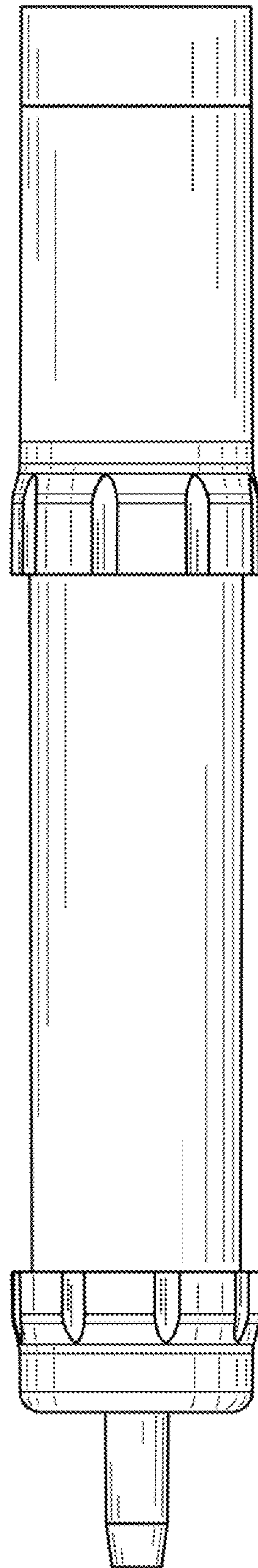


FIG. 3

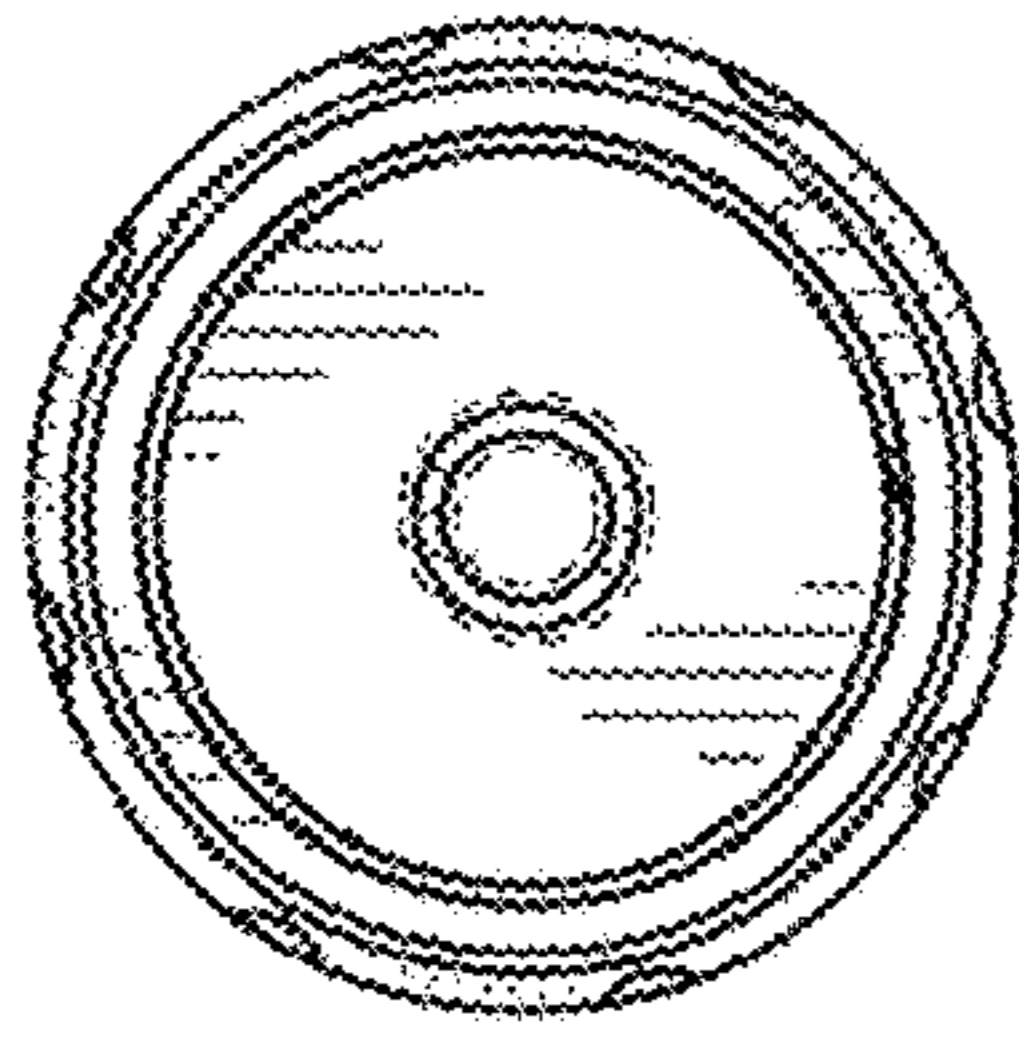


FIG. 5

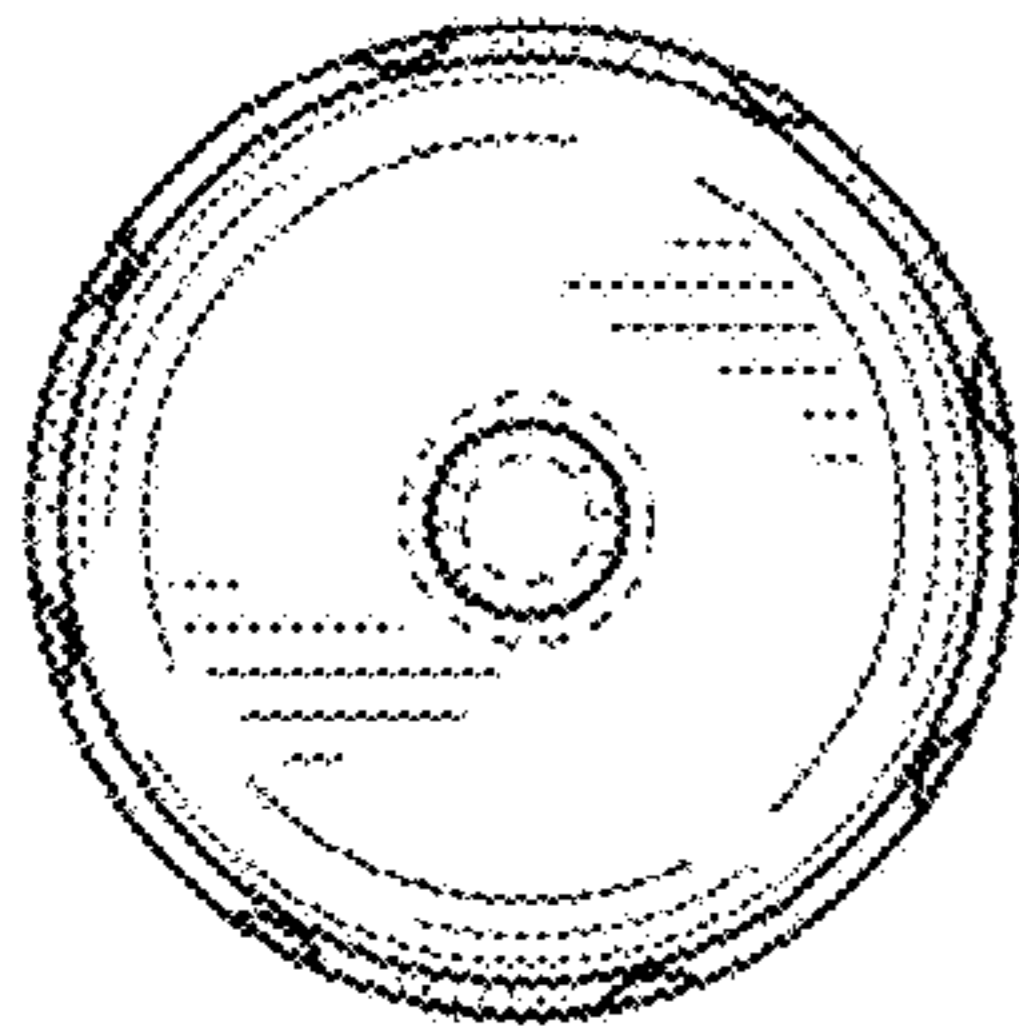


FIG. 4

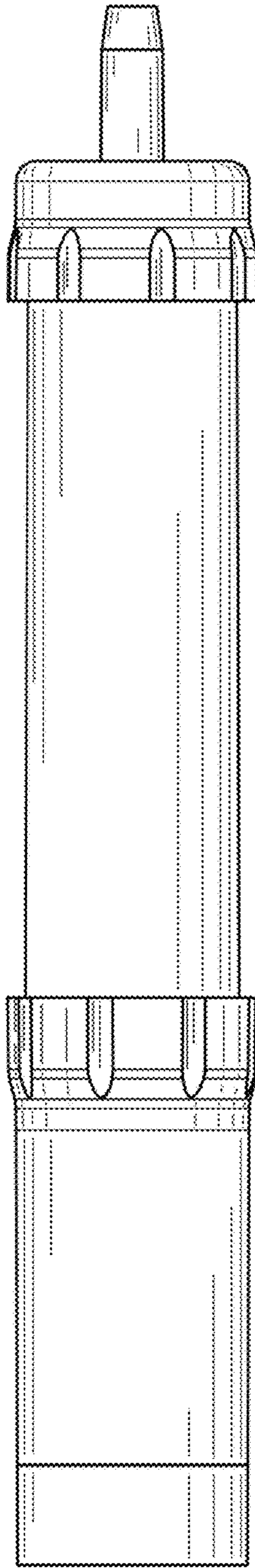


FIG. 6

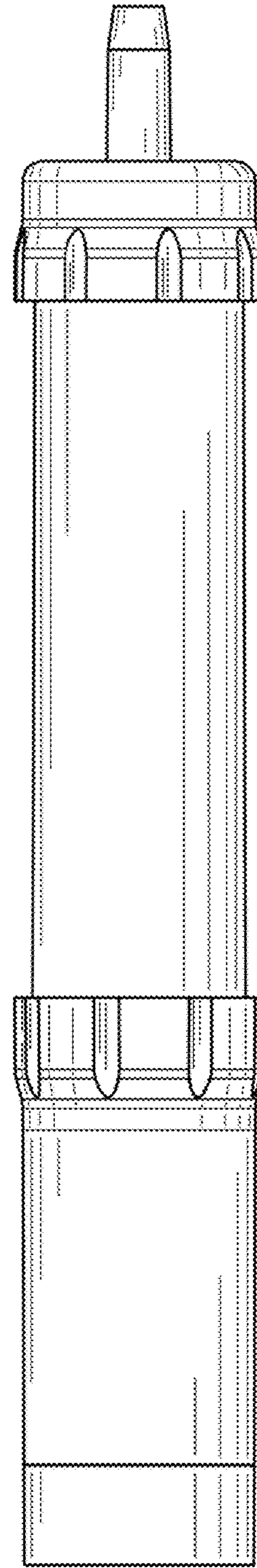


FIG. 7