



US00D893671S

(12) **United States Design Patent** (10) **Patent No.:** **US D893,671 S**
Kuo (45) **Date of Patent:** **** Aug. 18, 2020**

- (54) **HOT WATER SUPPLY TANK**
- (71) Applicant: **Hong Yuan International Co., Ltd.**, Taichung (TW)
- (72) Inventor: **Chun-Yuan Kuo**, Taichung (TW)
- (73) Assignee: **HONG YUAN INTERNATIONAL CO., LTD.**, Taichung (TW)
- (**) Term: **15 Years**
- (21) Appl. No.: **29/659,957**
- (22) Filed: **Aug. 14, 2018**
- (51) **LOC (12) Cl.** **23-01**
- (52) **U.S. Cl.**
USPC **D23/202**
- (58) **Field of Classification Search**
USPC D23/200, 201, 202, 207, 209, 260, 261, D23/262, 366; D7/412, 414; D32/35
CPC B01D 35/30; B01D 35/153; B01D 35/306; B01D 2201/30; B01D 2201/29; B01D 24/10; B01D 36/02; B01D 29/035; B01D 29/0009; C02F 1/002; C02F 1/003
See application file for complete search history.

(56) **References Cited**

U.S. PATENT DOCUMENTS

D236,830 S *	9/1975	Bochmann	D23/225
D294,061 S *	2/1988	Yokoyama	D23/202
D320,641 S *	10/1991	Williams	D23/213
D584,836 S *	1/2009	Hakvoort	D29/126
D647,594 S *	10/2011	Bridges	D23/209
D649,827 S *	12/2011	Smiedt	D7/316
D650,686 S *	12/2011	de Cleir	D9/529
D719,638 S *	12/2014	Pagliai	D23/225
D738,590 S *	9/2015	Taborek	D34/39

D757,888 S *	5/2016	Scholtz	D23/202
D863,675 S *	10/2019	Huang	D27/163
2019/0162441 A1 *	5/2019	Kuo	F24H 9/146

OTHER PUBLICATIONS

The Best RV Tankless Water Heaters (article) [Apr. 1, 2020] found online [Apr. 17, 2021]—<https://www.rvweb.net/best-rv-tankless-water-heaters-reviewed/>.*

* cited by examiner

Primary Examiner — Lakiya G Rogers

Assistant Examiner — John A Voytek

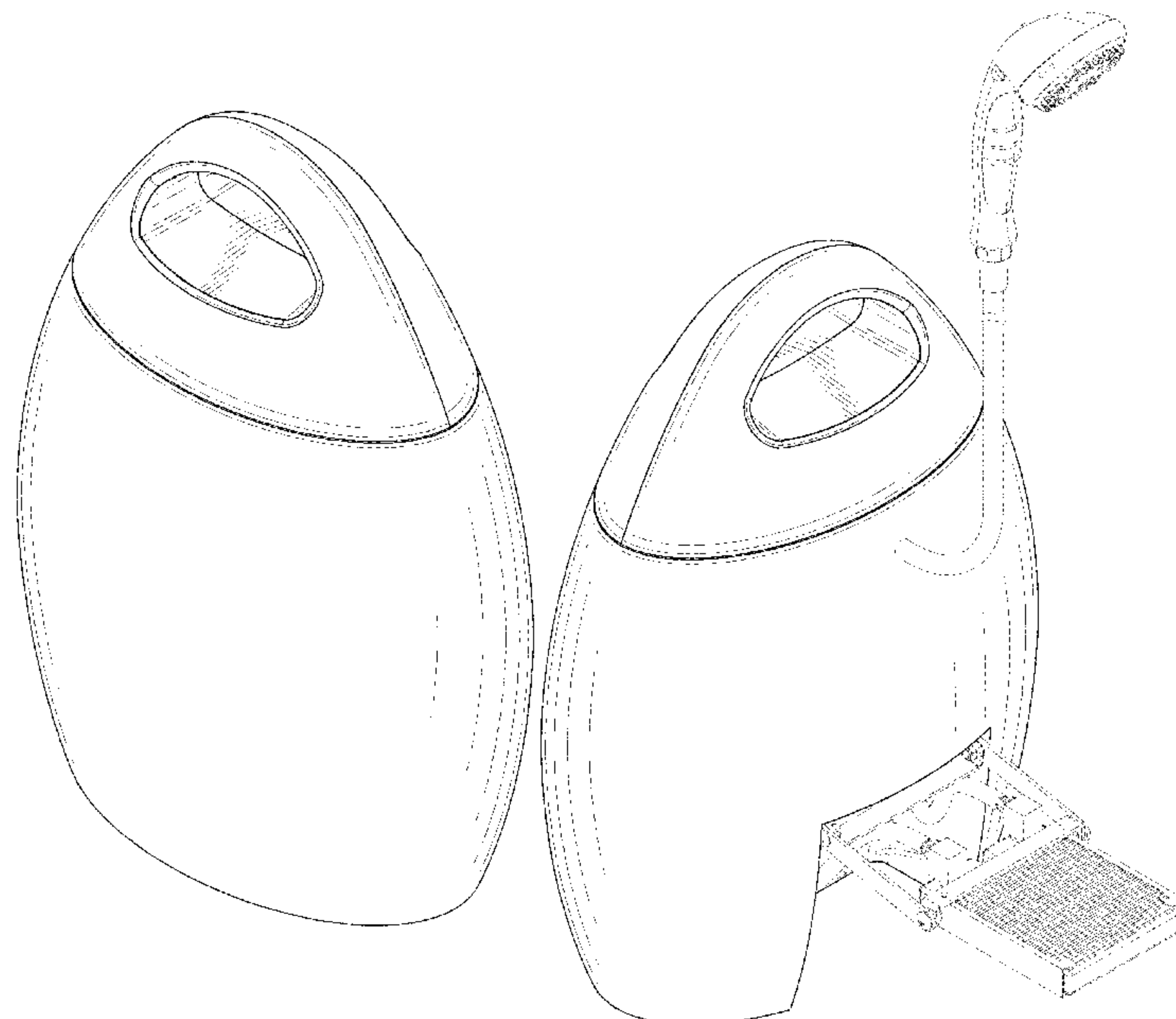
(57) **CLAIM**

The ornamental design for a hot water supply tank, as shown and described.

DESCRIPTION

FIG. 1 is a perspective view of a hot water supply tank showing my new design;
 FIG. 2 is a front elevational view thereof;
 FIG. 3 is a rear elevational view thereof;
 FIG. 4 is a left side elevational view thereof;
 FIG. 5 is a right side elevational view thereof;
 FIG. 6 is a top plan view thereof;
 FIG. 7 is a bottom plan view thereof;
 FIG. 8 is another perspective view thereof;
 FIG. 9 is a view similar to FIG. 8, illustrating the design in a state of use with a rear cover being removed;
 FIG. 10 is yet another perspective view, illustrating the design in the state of use; and,
 FIG. 11 is a sectional view taken along line XI-XI of FIG. 3.
 The broken lines depict portions of a hot water supply tank in which the design is embodied that form no part of the claimed design.

1 Claim, 11 Drawing Sheets



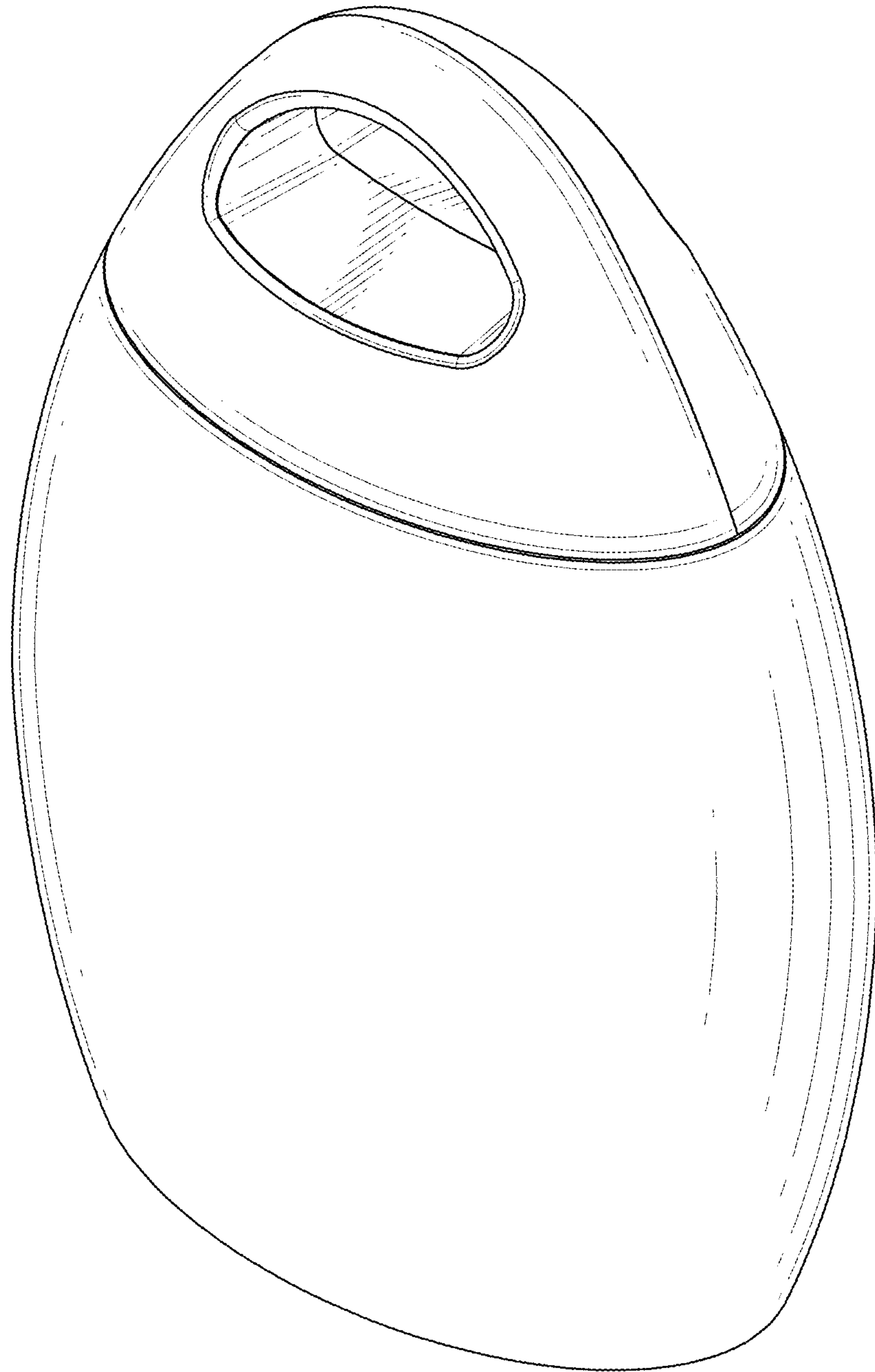


FIG. 1

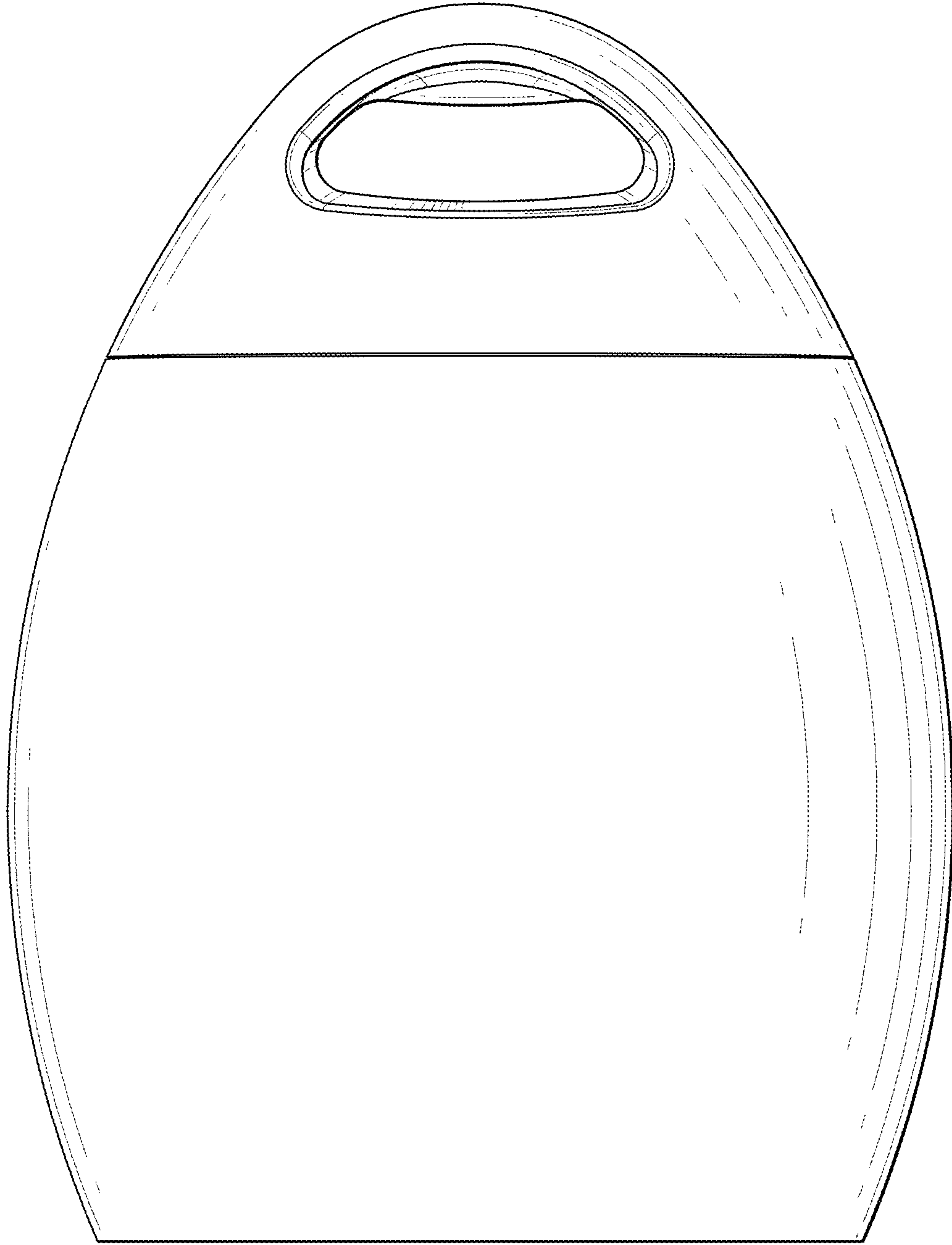


FIG. 2

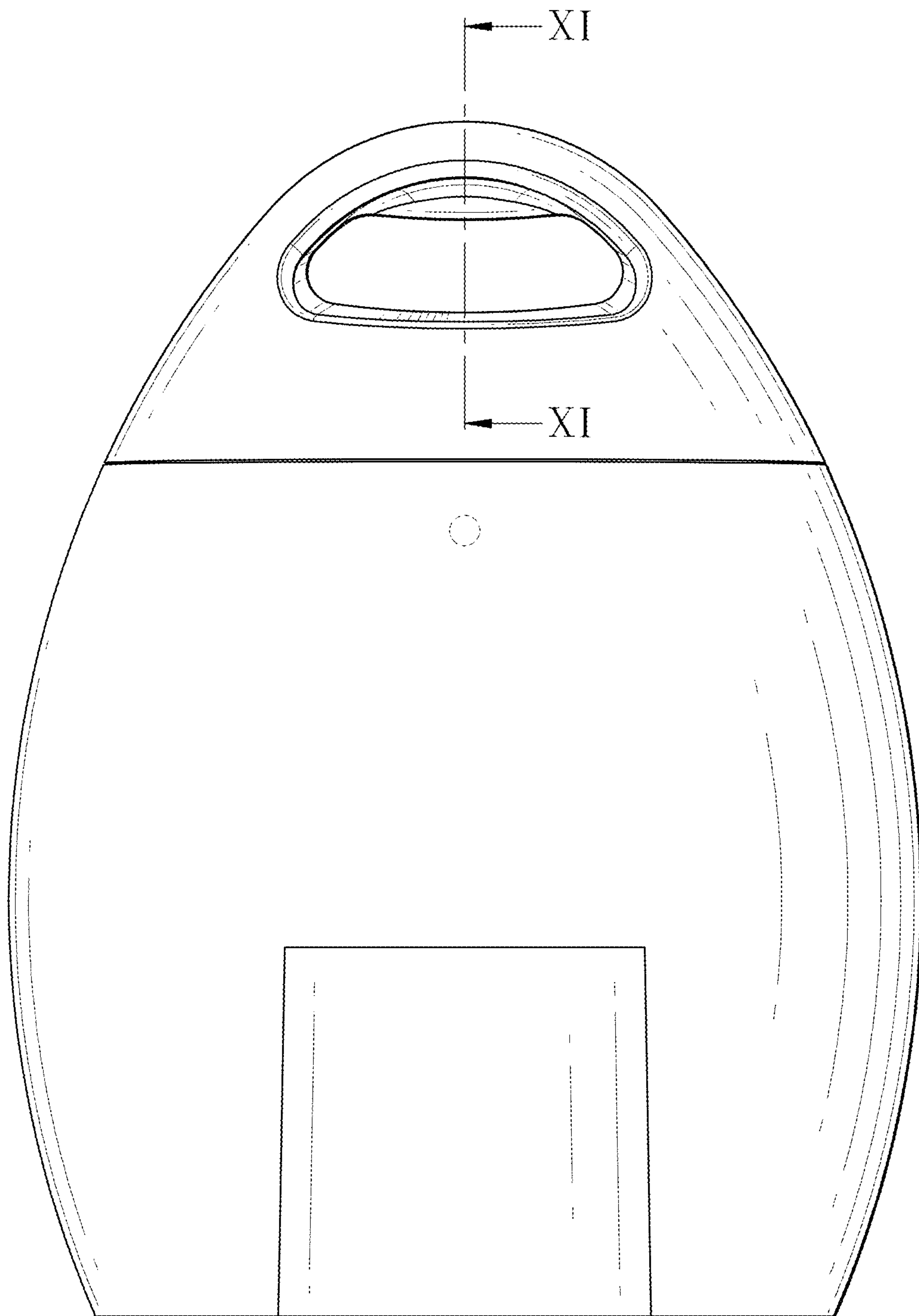


FIG. 3

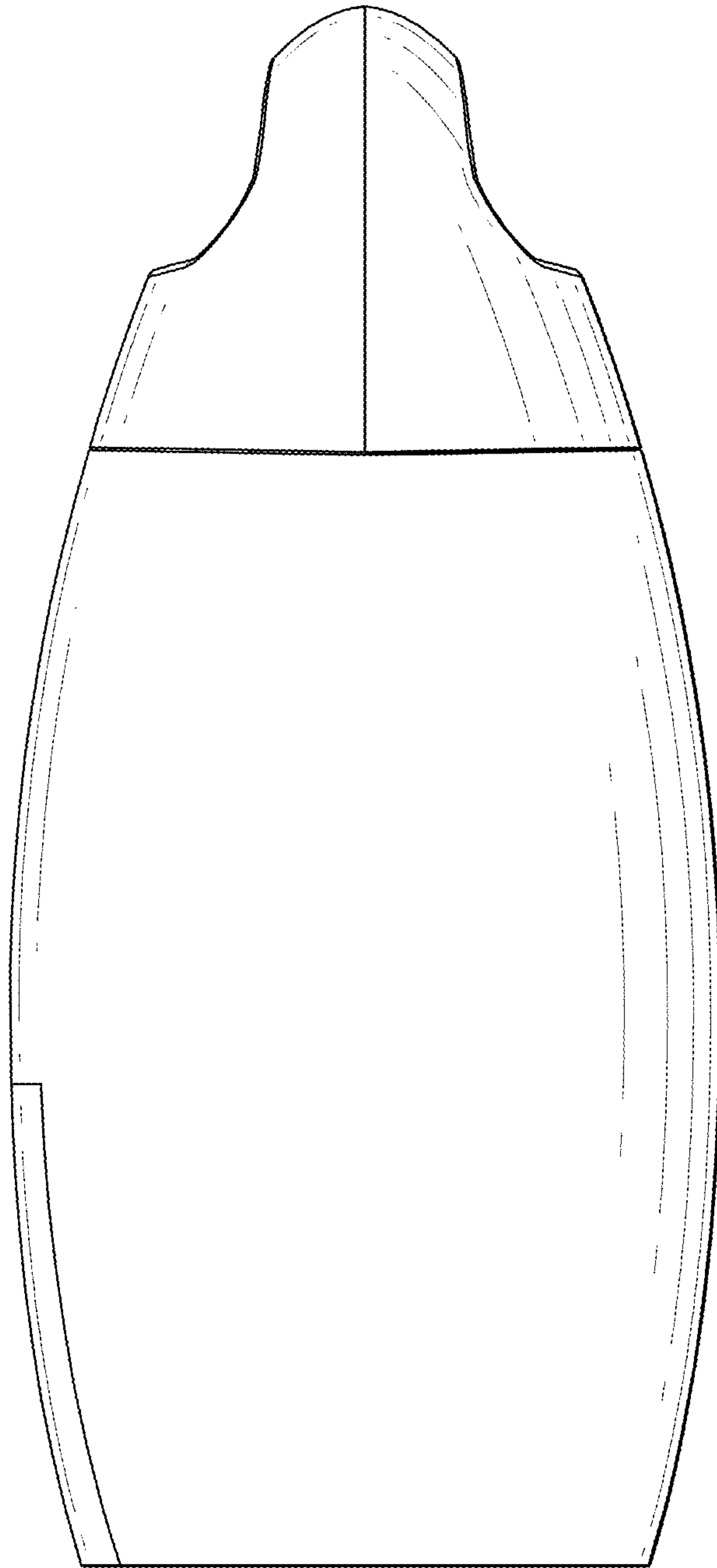


FIG.4

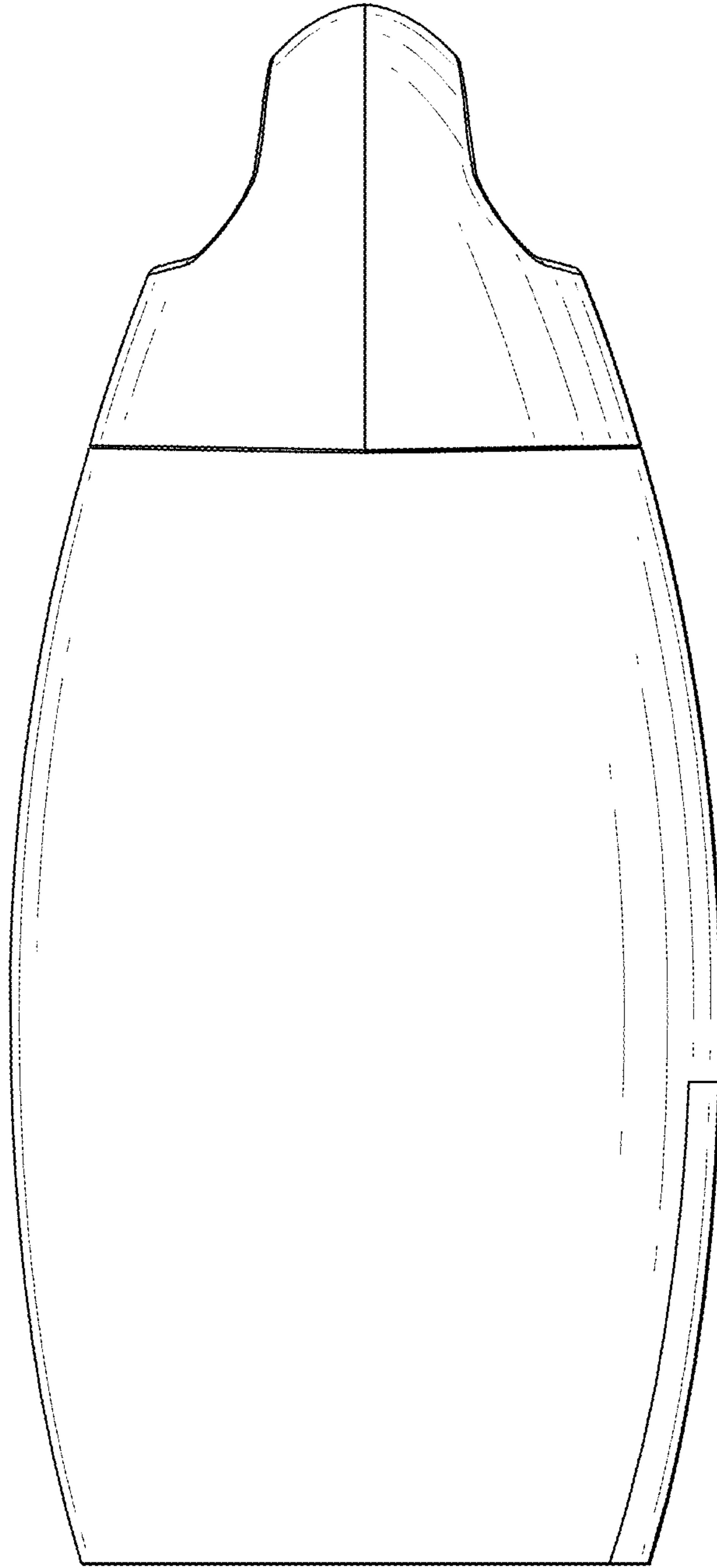


FIG. 5

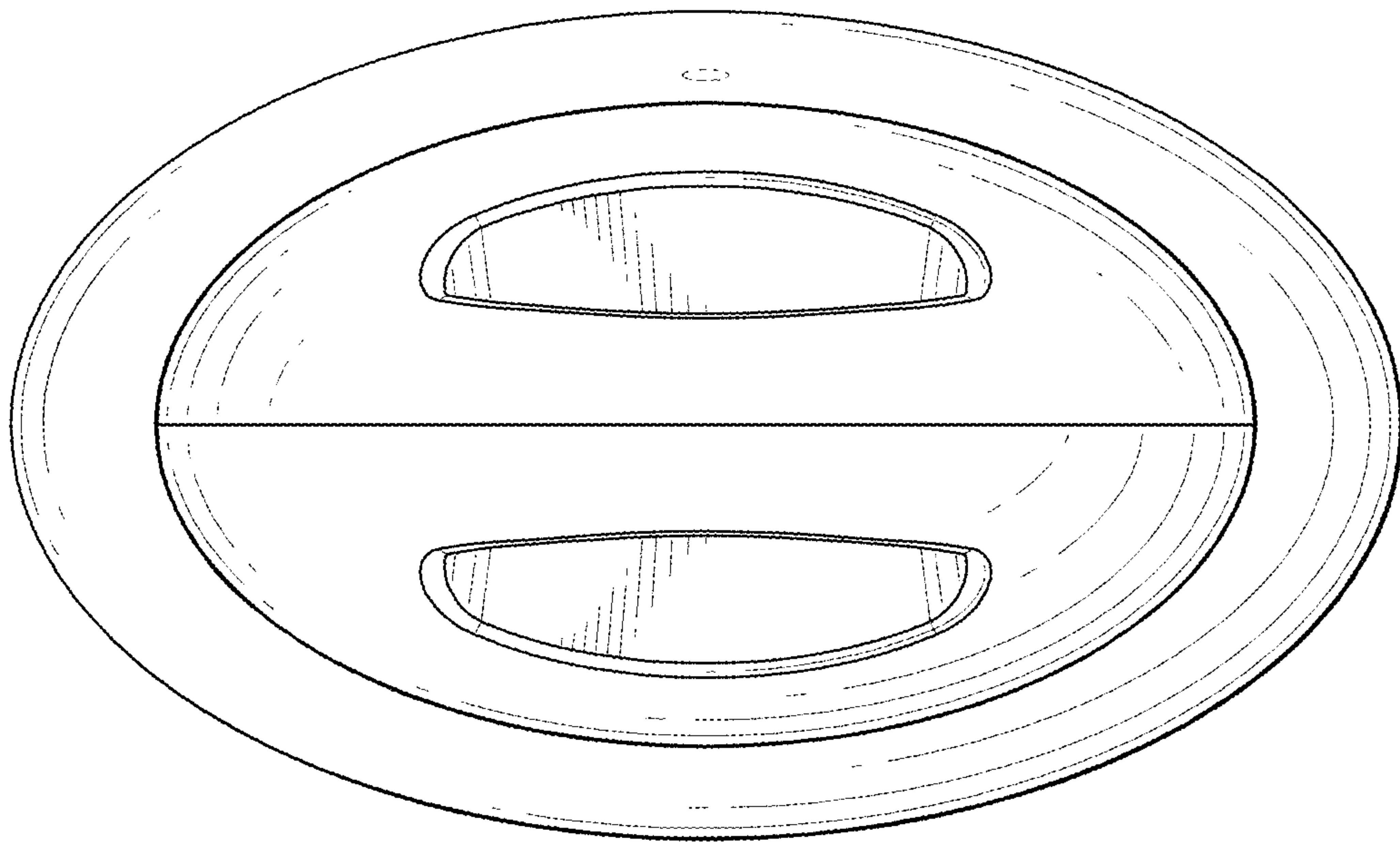


FIG.6

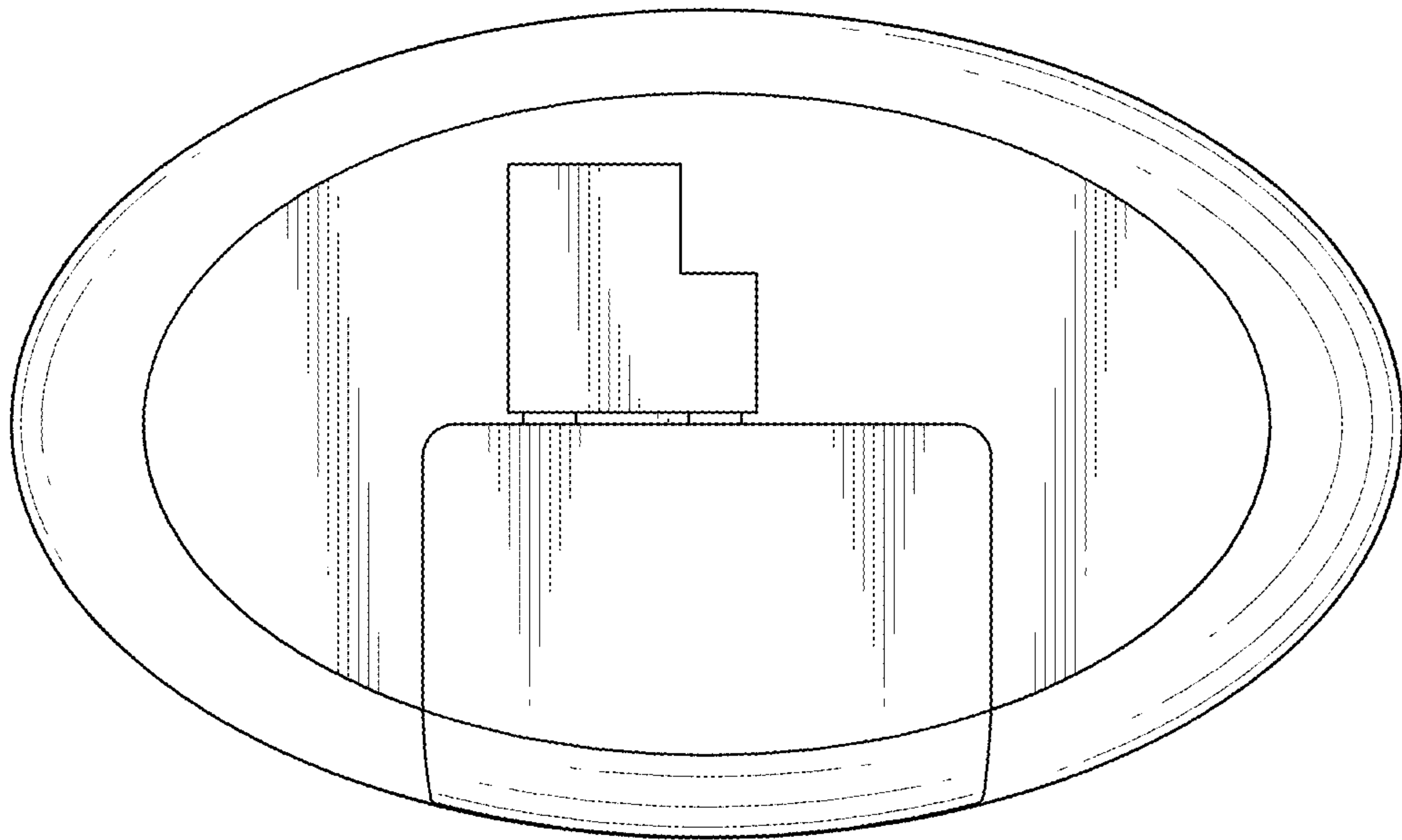


FIG.7

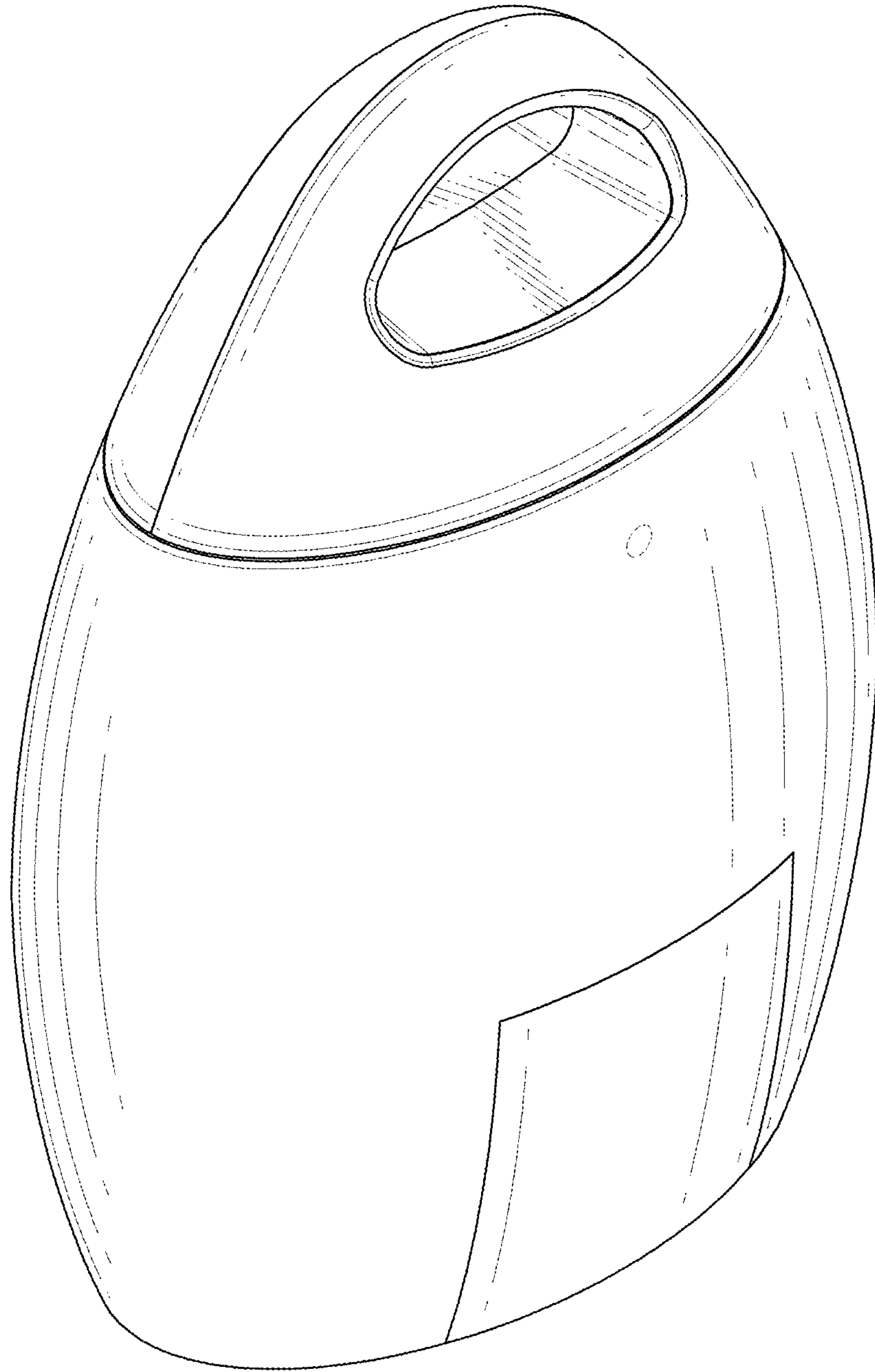


FIG.8

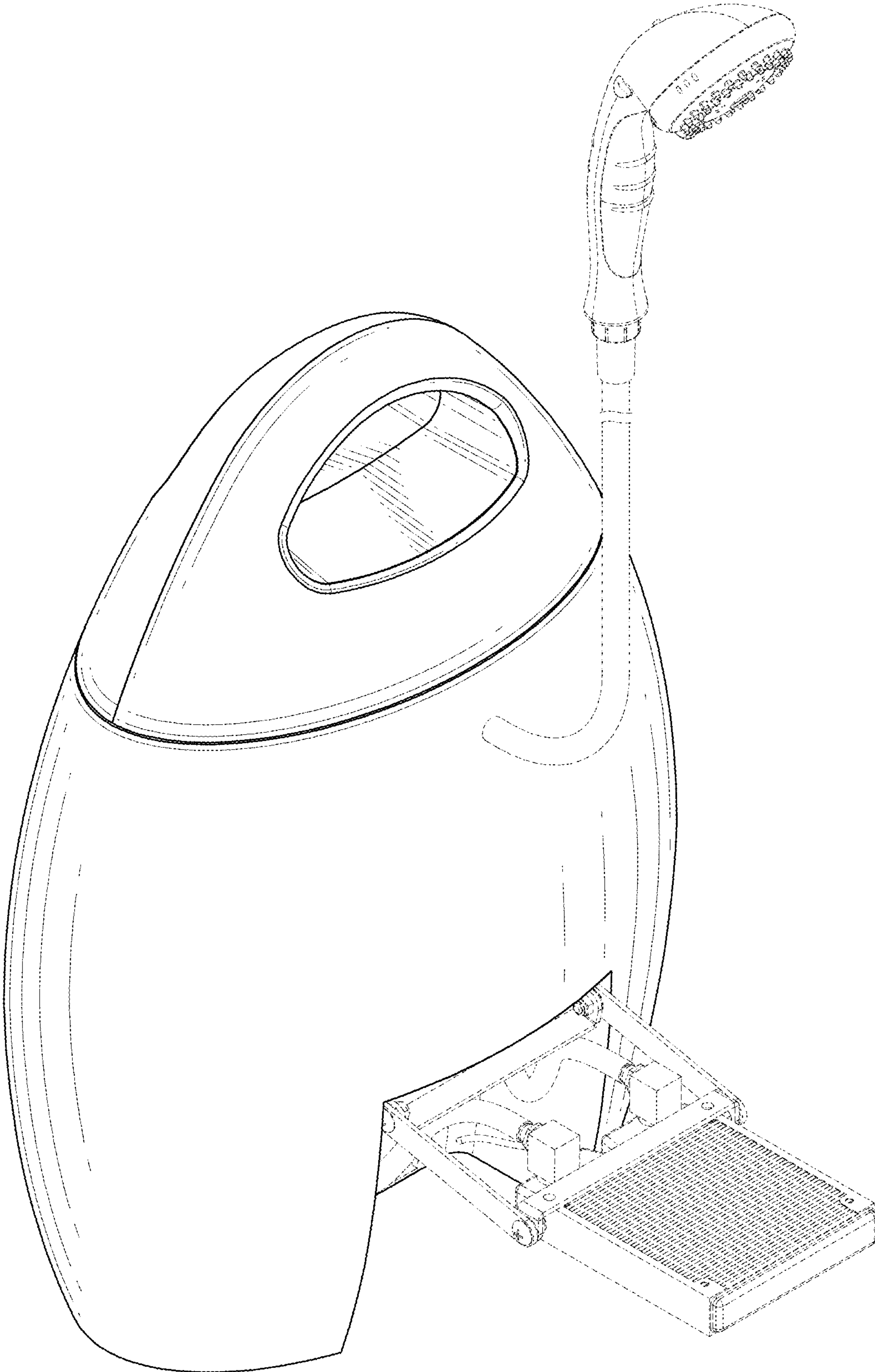


FIG.9

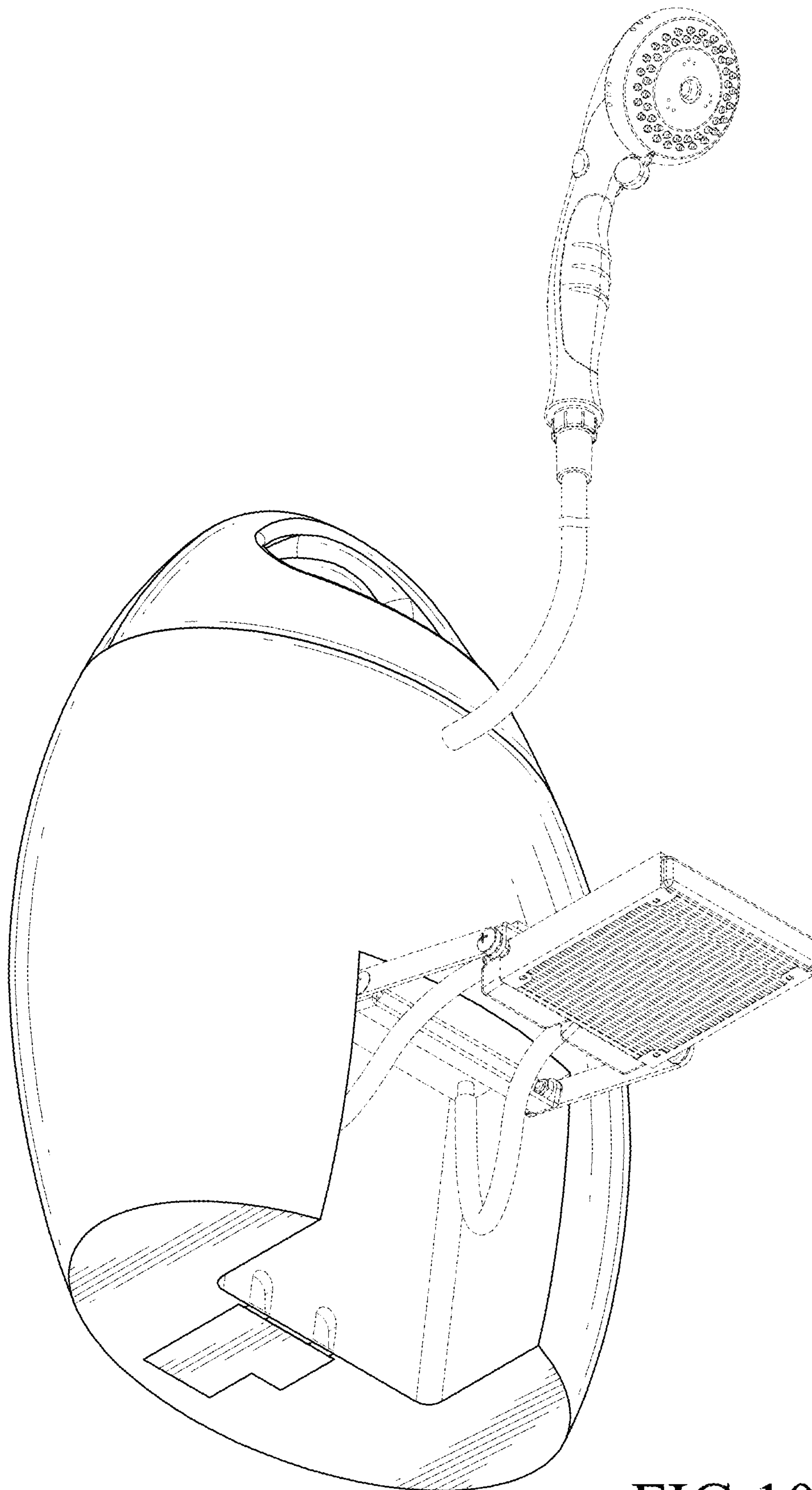


FIG. 10

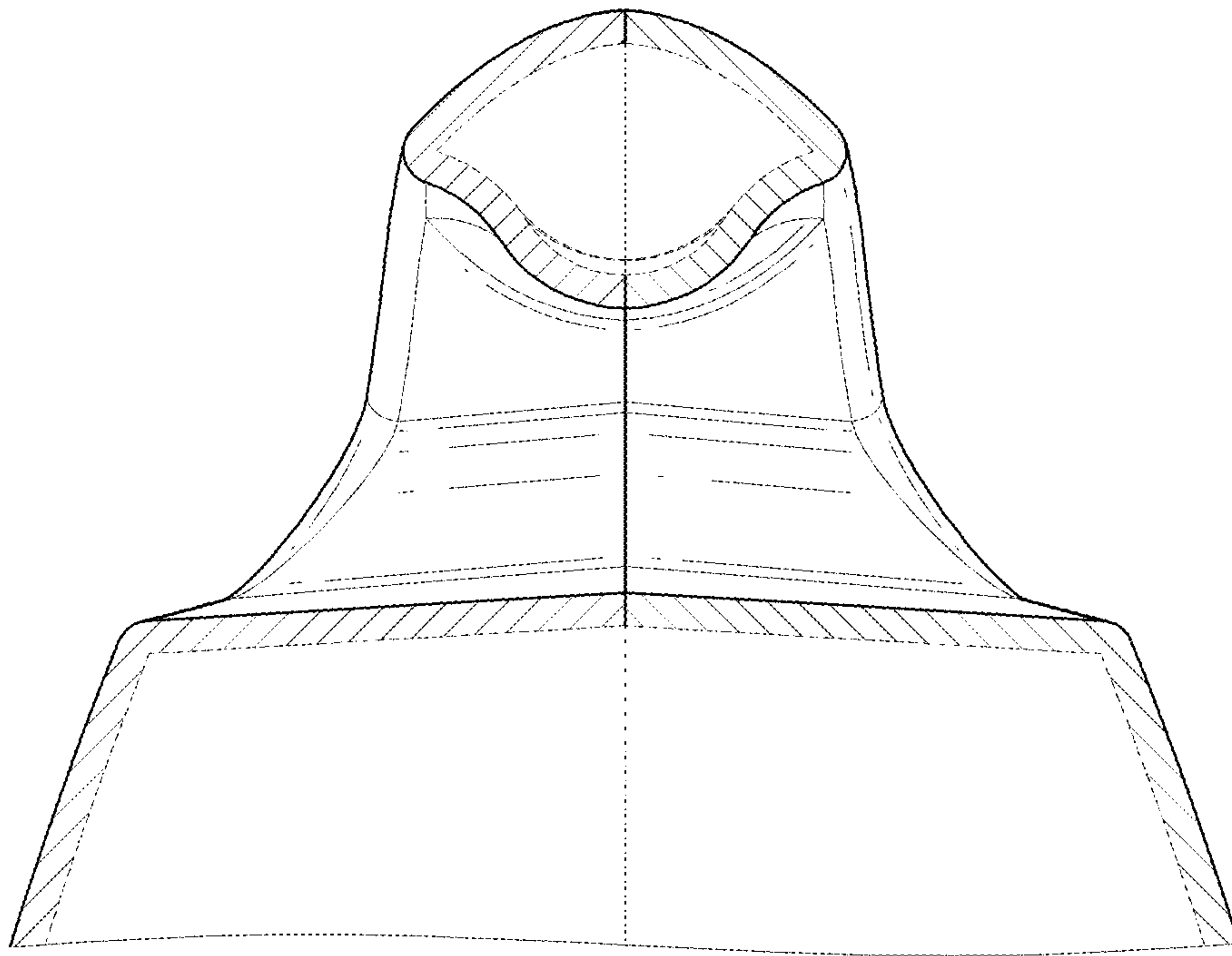


FIG.11