



US00D893670S

(12) **United States Design Patent** (10) **Patent No.:** **US D893,670 S**
Hill (45) **Date of Patent:** **** Aug. 18, 2020**

(54) **FISHING LURE**

(71) Applicant: **Kenyon Hill**, Norman, OK (US)

(72) Inventor: **Kenyon Hill**, Norman, OK (US)

(**) Term: **15 Years**

(21) Appl. No.: **29/662,442**

(22) Filed: **Sep. 5, 2018**

(51) **LOC (12) Cl.** **22-05**

(52) **U.S. Cl.**
USPC **D22/144**

(58) **Field of Classification Search**
USPC D22/144, 126; 43/42.16, 42.43, 42.39,
43/42.37, 42.11, 42.13, 42.28, 42.41,
(Continued)

(56) **References Cited**

U.S. PATENT DOCUMENTS

2,623,318 A * 12/1952 Weigandt A01K 85/16
43/42.09
3,225,484 A * 12/1965 Richard A01K 85/01
43/17.1

(Continued)

Primary Examiner — Catherine R Olivier-Garcia

(74) *Attorney, Agent, or Firm* — Dunlap Codding, P.C.

(57) **CLAIM**

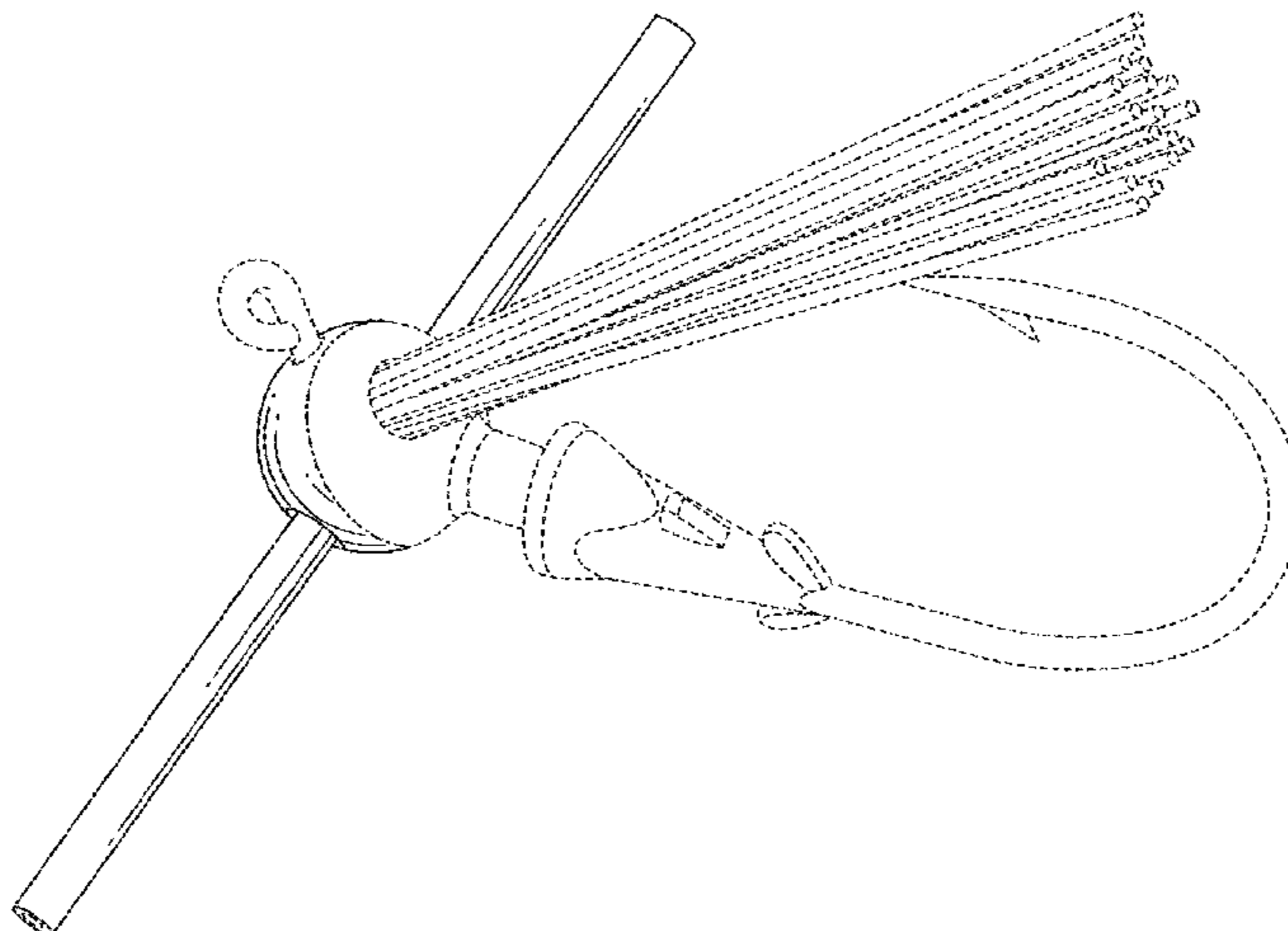
The ornamental design for a fishing lure, as shown and described.

DESCRIPTION

FIG. 1 is a perspective view of a fishing lure showing my new design.
FIG. 2 is a front elevational view thereof.
FIG. 3 is a rear elevational view thereof.
FIG. 4 is a left elevational view thereof.
FIG. 5 is a right elevational view thereof.
FIG. 6 is a top plan view thereof.

FIG. 7 is a bottom plan view thereof.
FIG. 8 is a perspective view of a second embodiment of a fishing lure showing my new design;
FIG. 9 is a front elevational view thereof.
FIG. 10 is a rear elevational view thereof.
FIG. 11 is a left elevational view thereof.
FIG. 12 is a right elevational view thereof.
FIG. 13 is a top plan view thereof.
FIG. 14 is a bottom plan view thereof.
FIG. 15 is a perspective view of a third embodiment of a fishing lure showing my new design;
FIG. 16 is a front elevational view thereof.
FIG. 17 is a rear elevational view thereof.
FIG. 18 is a left elevational view thereof.
FIG. 19 is a right elevational view thereof.
FIG. 20 is a top plan view thereof.
FIG. 21 is a bottom plan view thereof.
FIG. 22 is a perspective view of a fourth embodiment of a fishing lure showing my new design;
FIG. 23 is a front elevational view thereof.
FIG. 24 is a rear elevational view thereof.
FIG. 25 is a left elevational view thereof.
FIG. 26 is a right elevational view thereof.
FIG. 27 is a top plan view thereof.
FIG. 28 is a bottom plan view thereof.
FIG. 29 is a perspective view of a fifth embodiment of a fishing lure showing my new design;
FIG. 30 is a front elevational view thereof.
FIG. 31 is a rear elevational view thereof.
FIG. 32 is a left elevational view thereof.
FIG. 33 is a right elevational view thereof.
FIG. 34 is a top plan view thereof.
FIG. 35 is a bottom plan view thereof.
FIG. 36 is a perspective view of a sixth embodiment of a fishing lure showing my new design;
FIG. 37 is a front elevational view thereof.
FIG. 38 is a rear elevational view thereof.
FIG. 39 is a left elevational view thereof.
FIG. 40 is a right elevational view thereof.
FIG. 41 is a top plan view thereof; and,
FIG. 42 is a bottom plan view thereof.

(Continued)



The broken lines illustrate portions of the fishing lure and form no part of the claimed design.

1 Claim, 29 Drawing Sheets

(58) Field of Classification Search

USPC 43/42.35, 42.45, 42.48, 44.89, 44.81,
43/42.53, 42.4
CPC A01K 85/00; A01K 85/01; A01K 85/02;
A01K 85/16; A01K 83/06
See application file for complete search history.

(56) References Cited

U.S. PATENT DOCUMENTS

3,750,321 A * 8/1973 McClellan A01K 85/00
43/42.1
4,428,144 A 1/1984 Dickinson
4,450,645 A 5/1984 Ancona
D322,835 S * 12/1991 Snyder D22/126
5,081,786 A * 1/1992 Cobb A01K 85/00
43/42.53
5,134,800 A * 8/1992 Sheehan A01K 85/00
43/42.25

5,175,955 A * 1/1993 Wilson A01K 85/00
43/42.36
5,388,367 A 2/1995 Rydell
5,491,927 A 2/1996 Ortiz
5,524,378 A 6/1996 Hood
D371,821 S * 7/1996 Hood D22/126
5,588,247 A * 12/1996 Wicht A01K 85/00
43/42.28
D377,824 S * 2/1997 McKeral, Jr. D22/126
5,822,914 A 10/1998 Tadych
D405,863 S * 2/1999 Laney D22/126
5,930,941 A 8/1999 Hayes, II et al.
6,634,135 B1 10/2003 Rydell
6,772,553 B2 8/2004 Phillips et al.
D585,957 S * 2/2009 White D22/144
8,869,446 B2 * 10/2014 Parks A01K 85/02
43/42.28
D769,405 S * 10/2016 Johnson D22/144
2004/0031187 A1 * 2/2004 Phillips A01K 85/02
43/42.39
2006/0037232 A1 * 2/2006 Gill A01K 83/06
43/42.39
2008/0202018 A1 * 8/2008 Gill A01K 85/00
43/42.43
2013/0205642 A1 * 8/2013 Parks A01K 85/02
43/42.4
2014/0259871 A1 9/2014 Sano

* cited by examiner

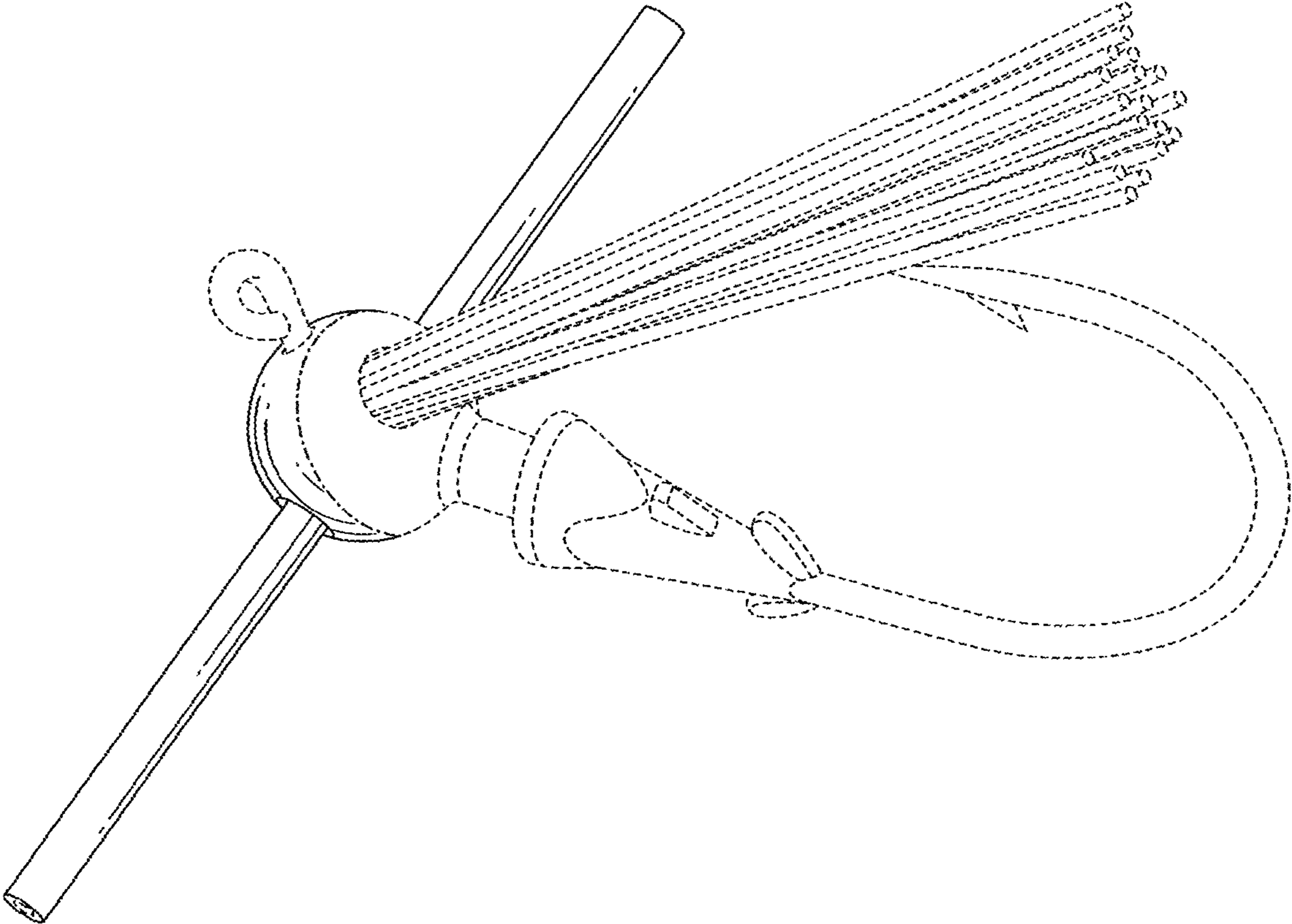


FIG. 1

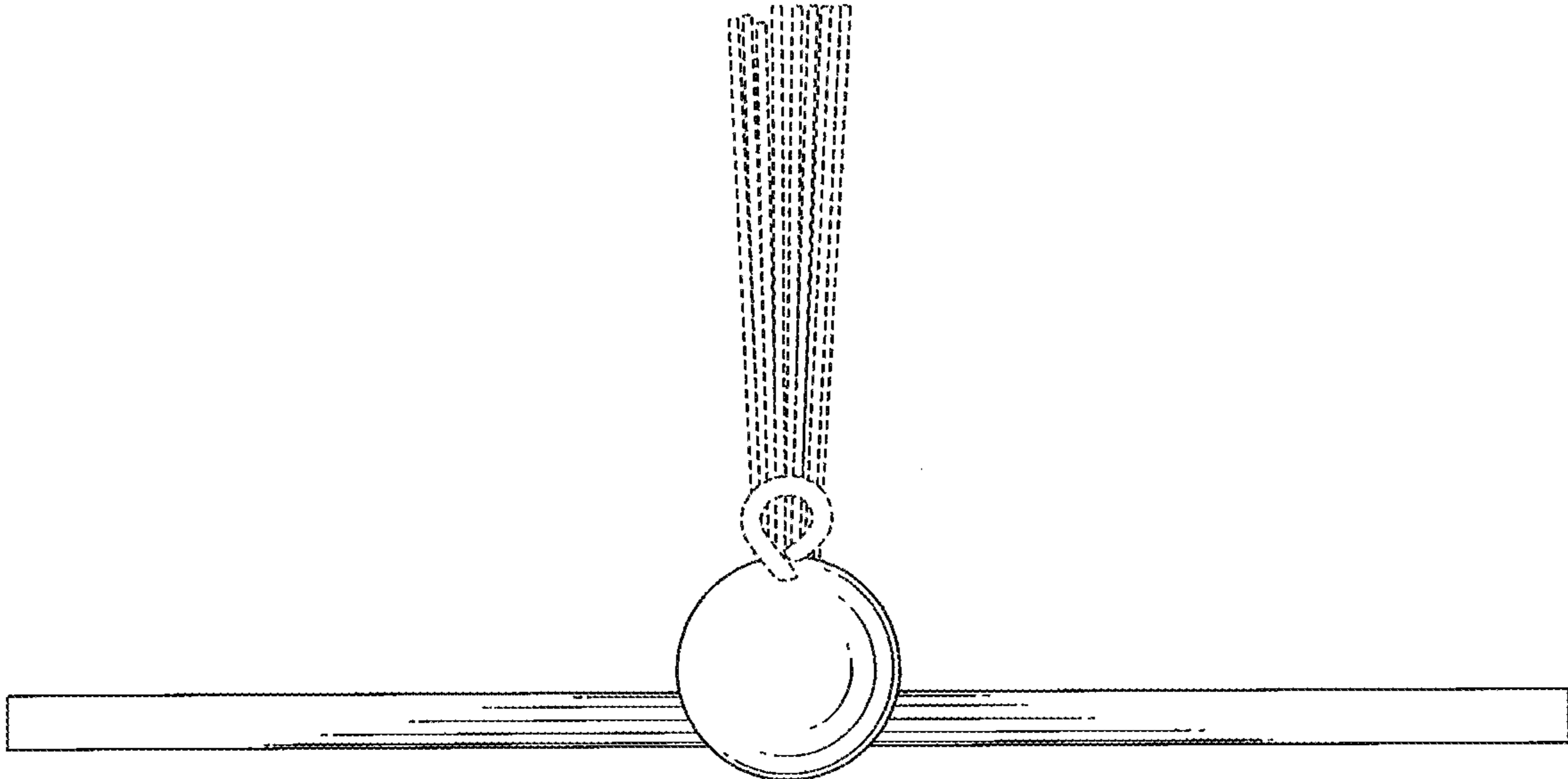


FIG. 2

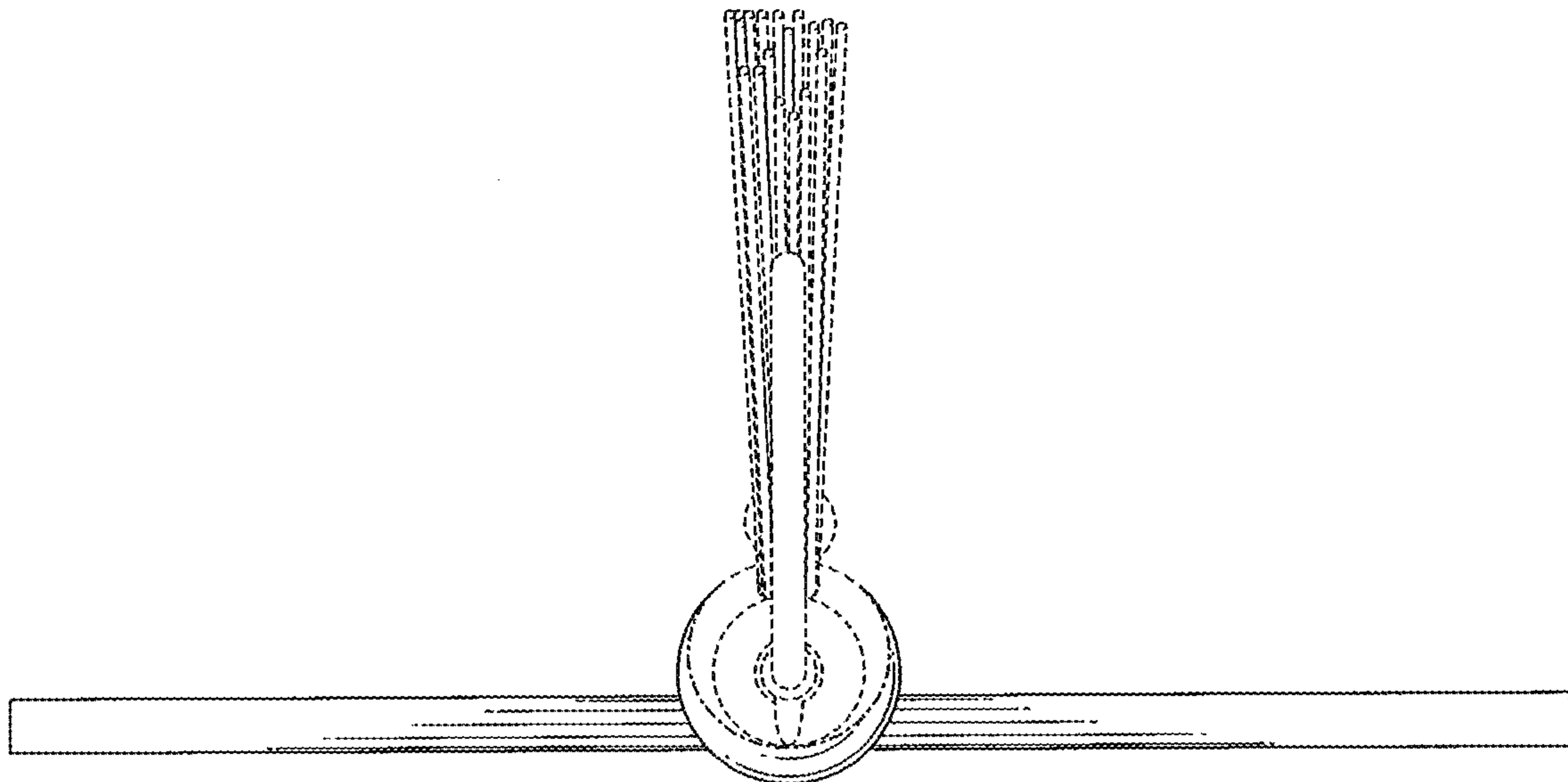


FIG. 3

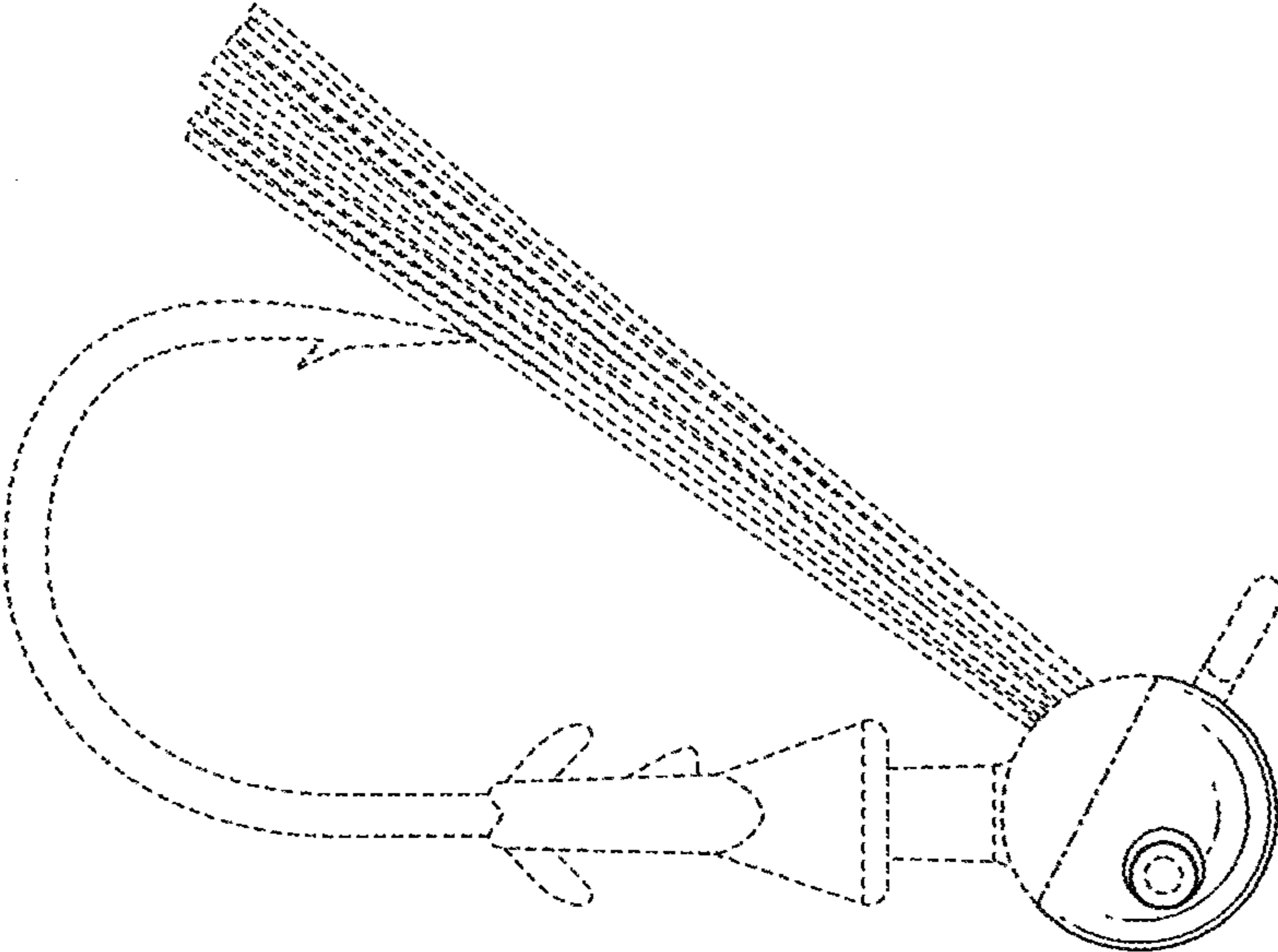


FIG. 4

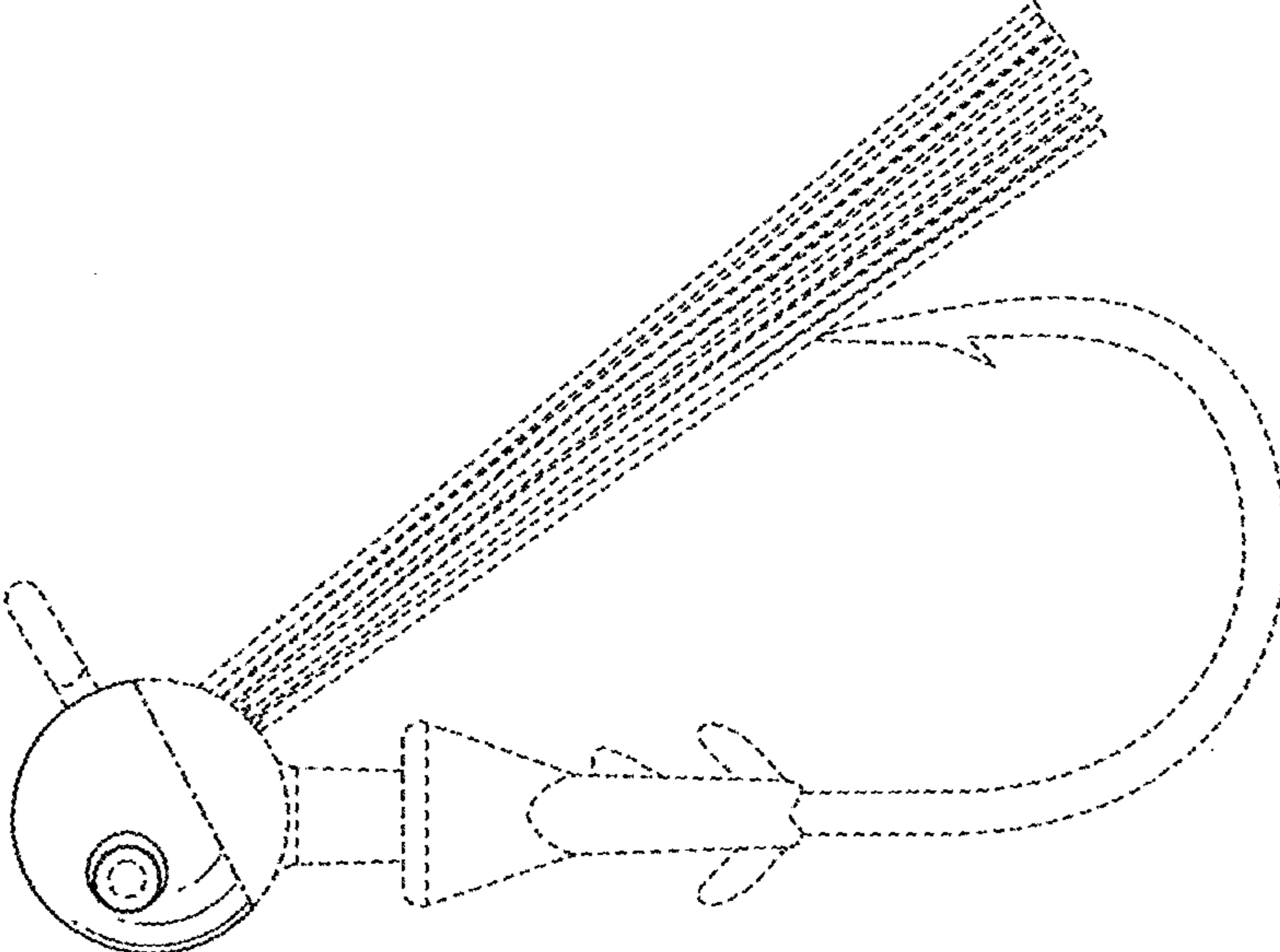


FIG. 5

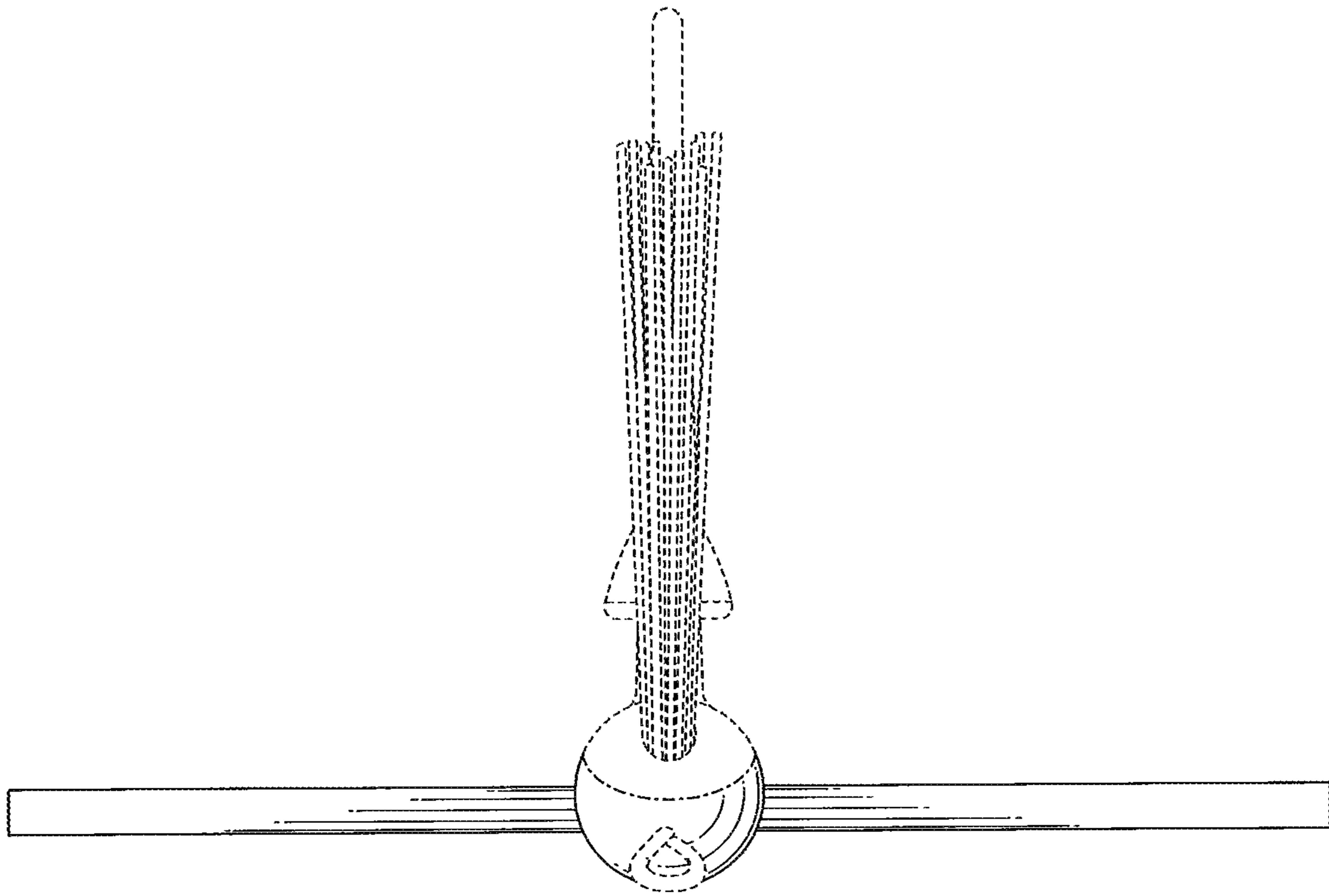


FIG. 6

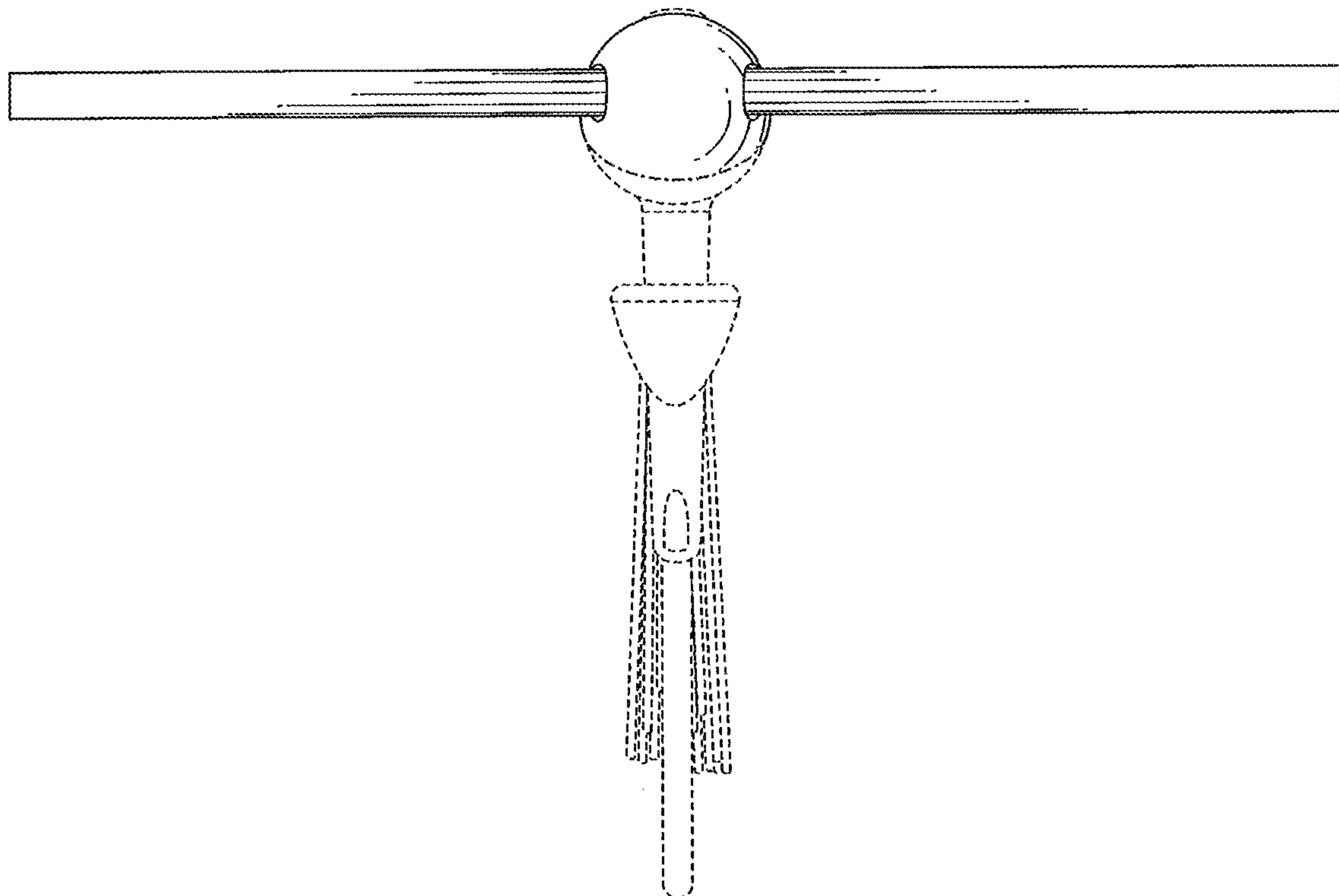


FIG. 7

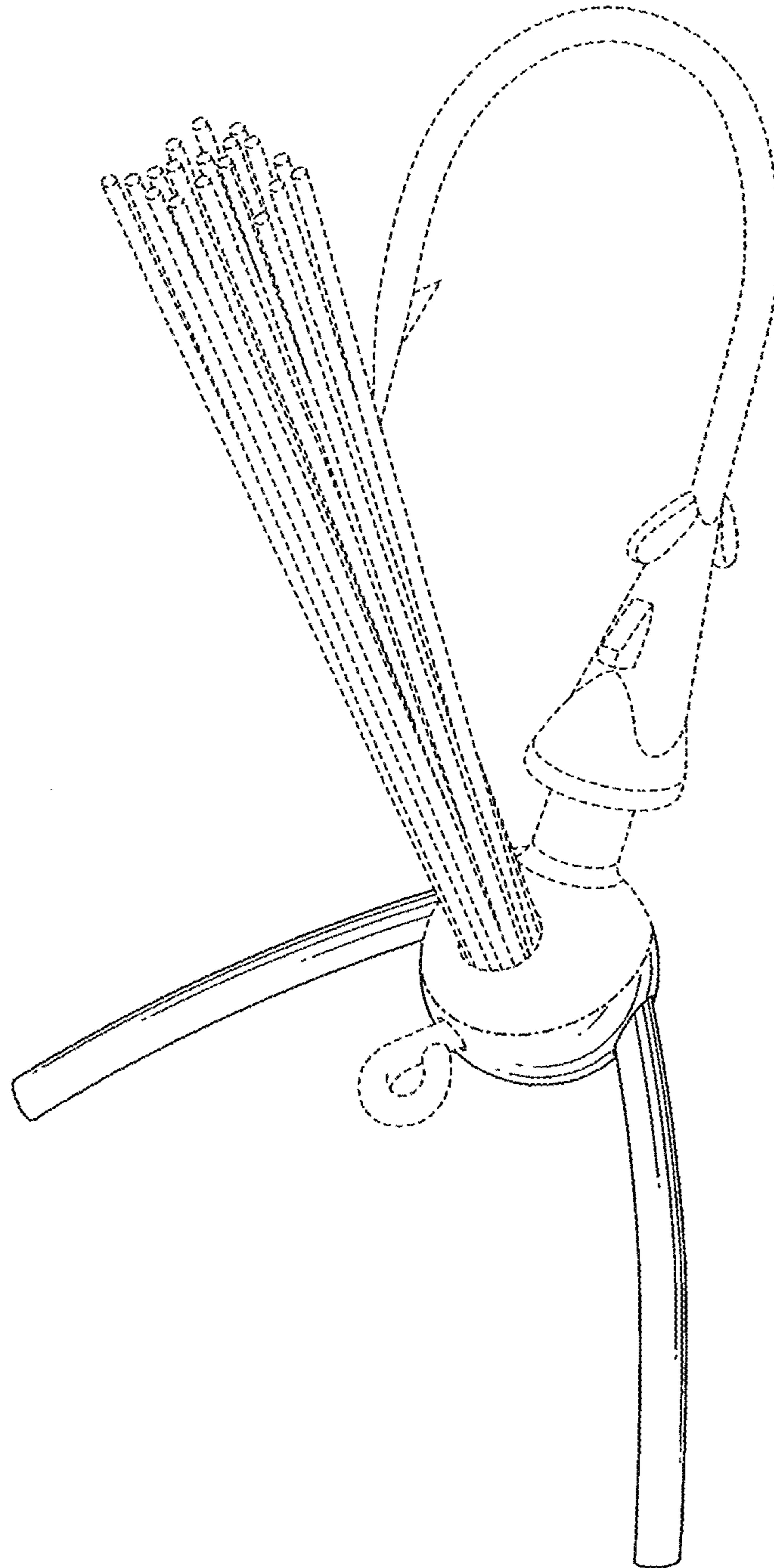


FIG. 8

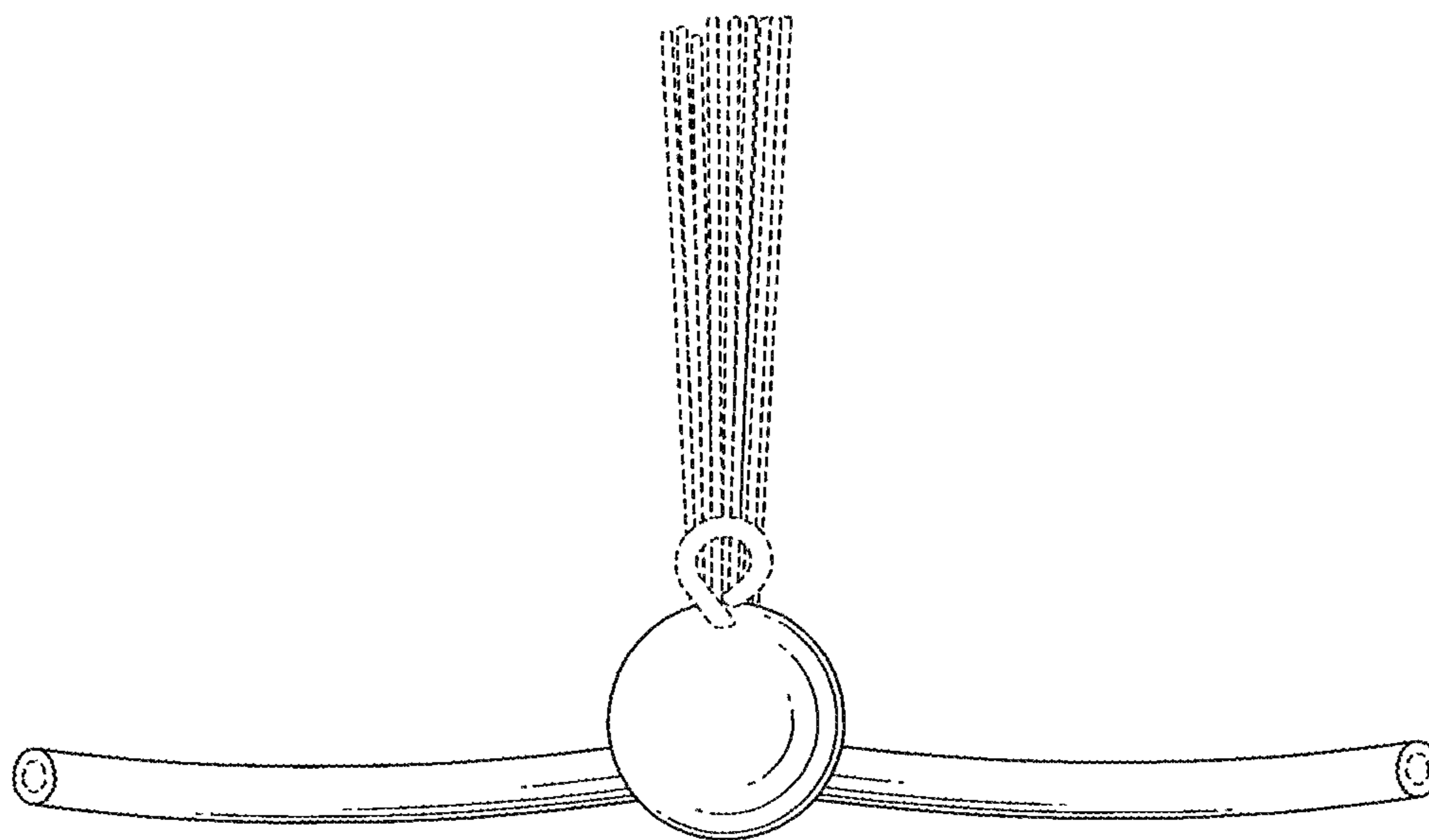


FIG. 9

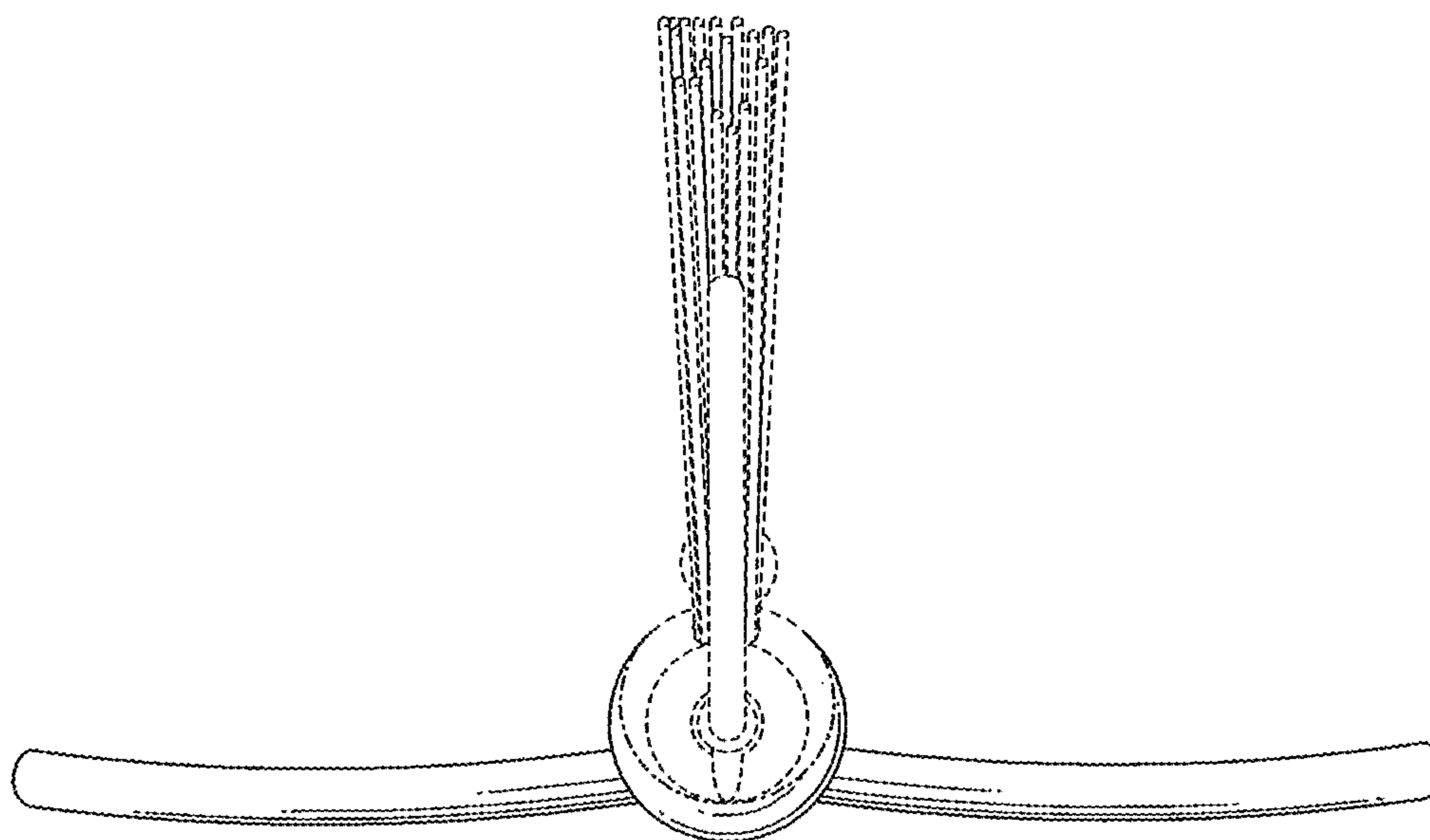


FIG. 10

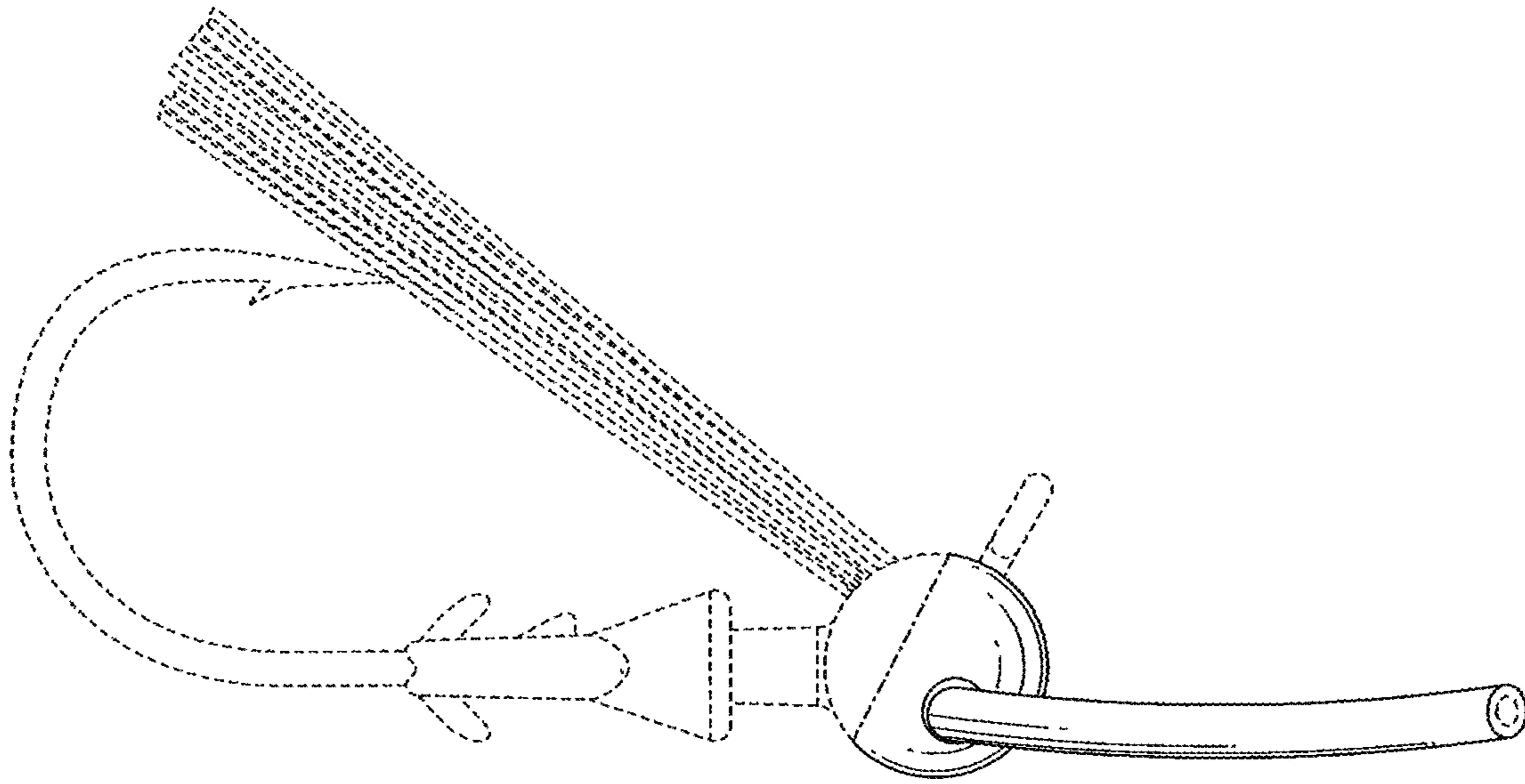


FIG. 11

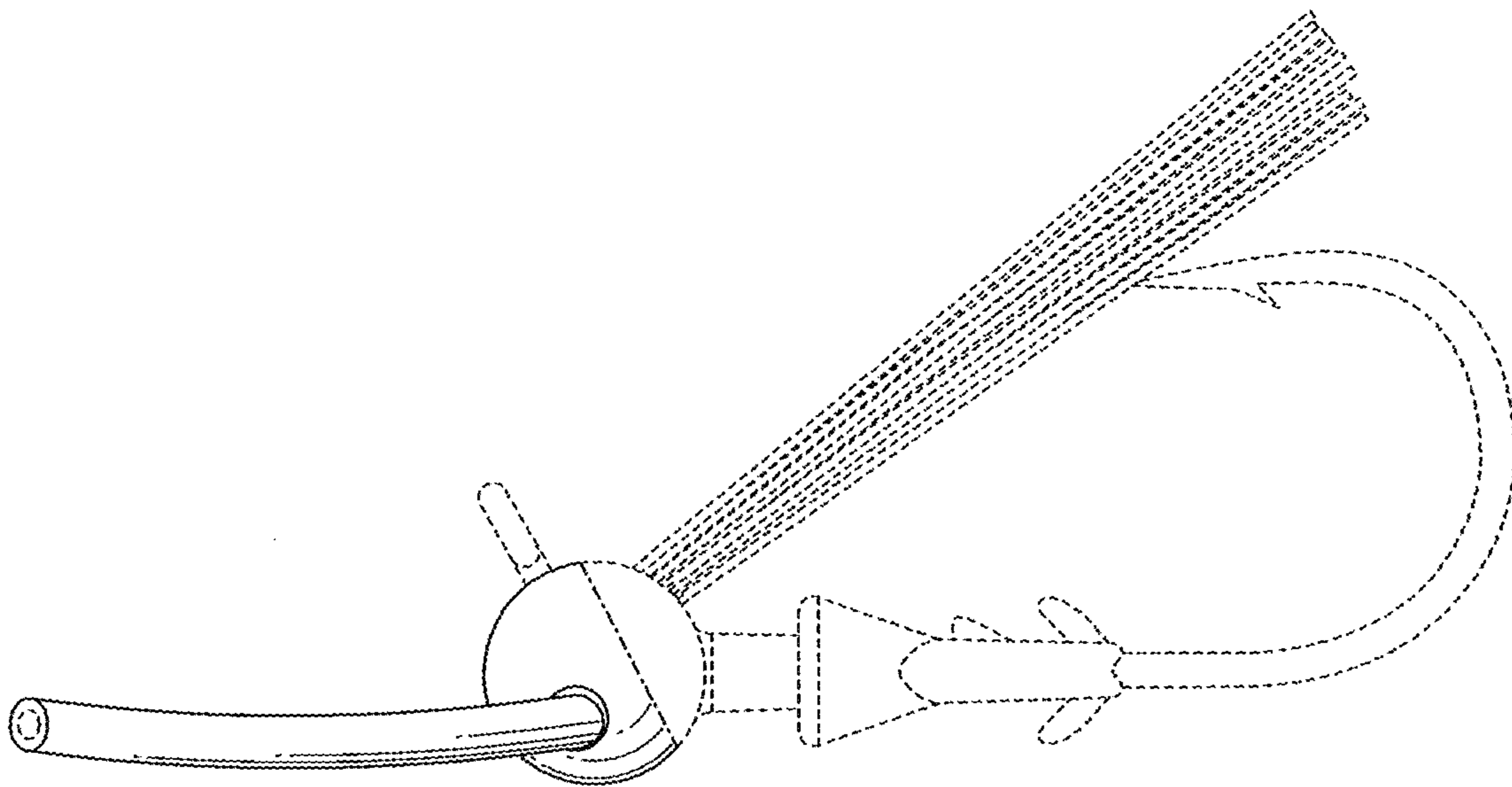


FIG. 12

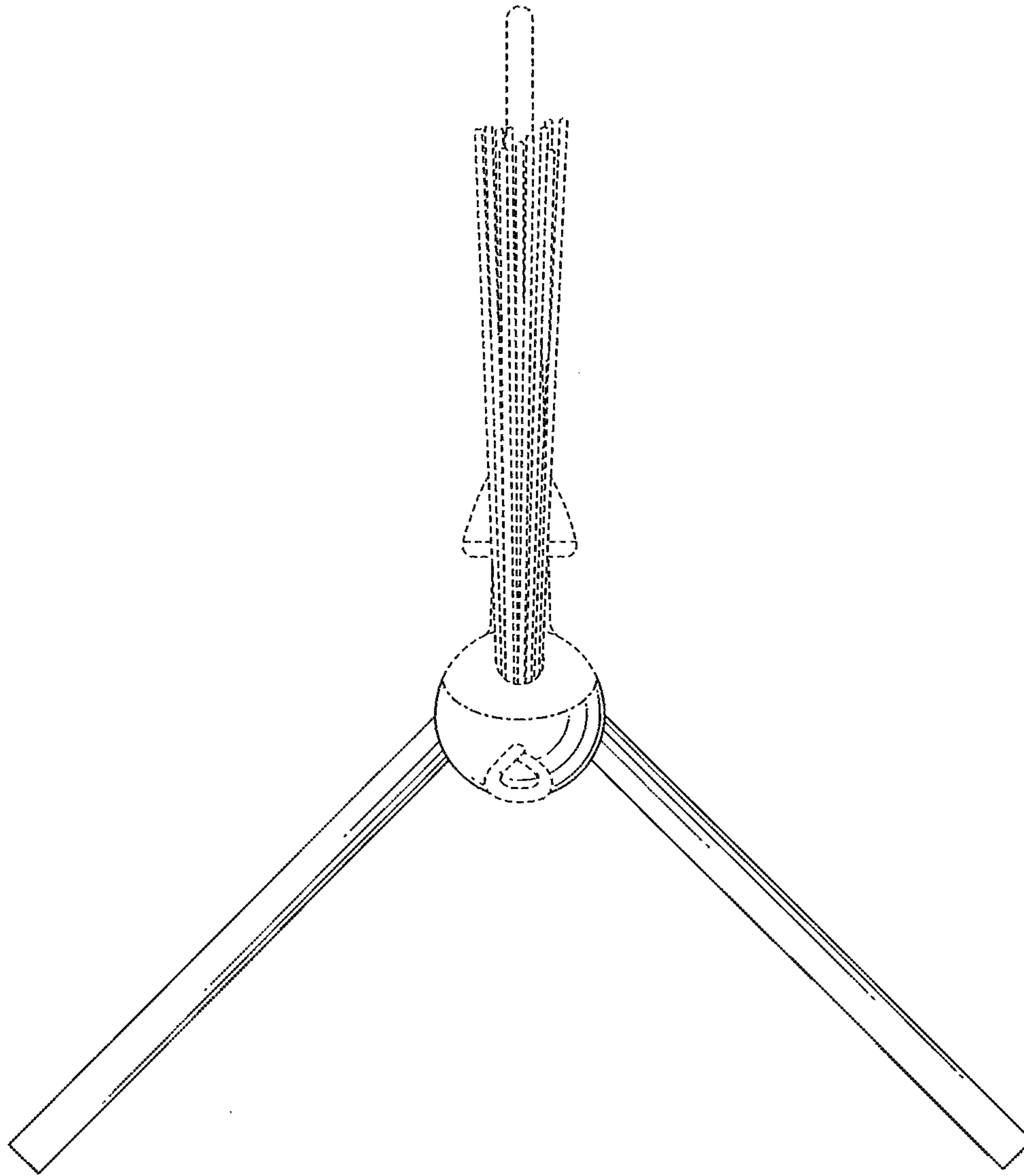


FIG. 13

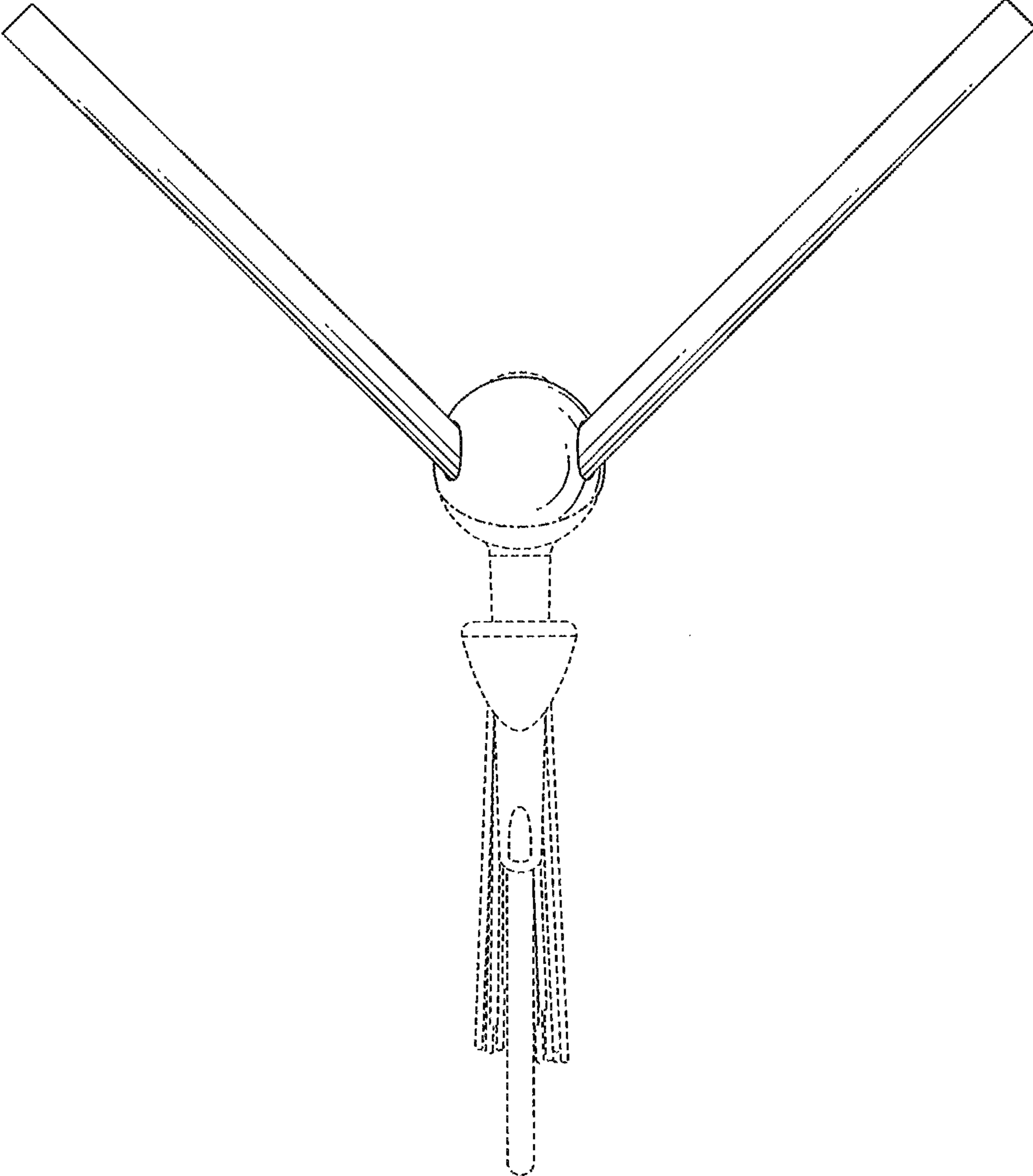


FIG. 14

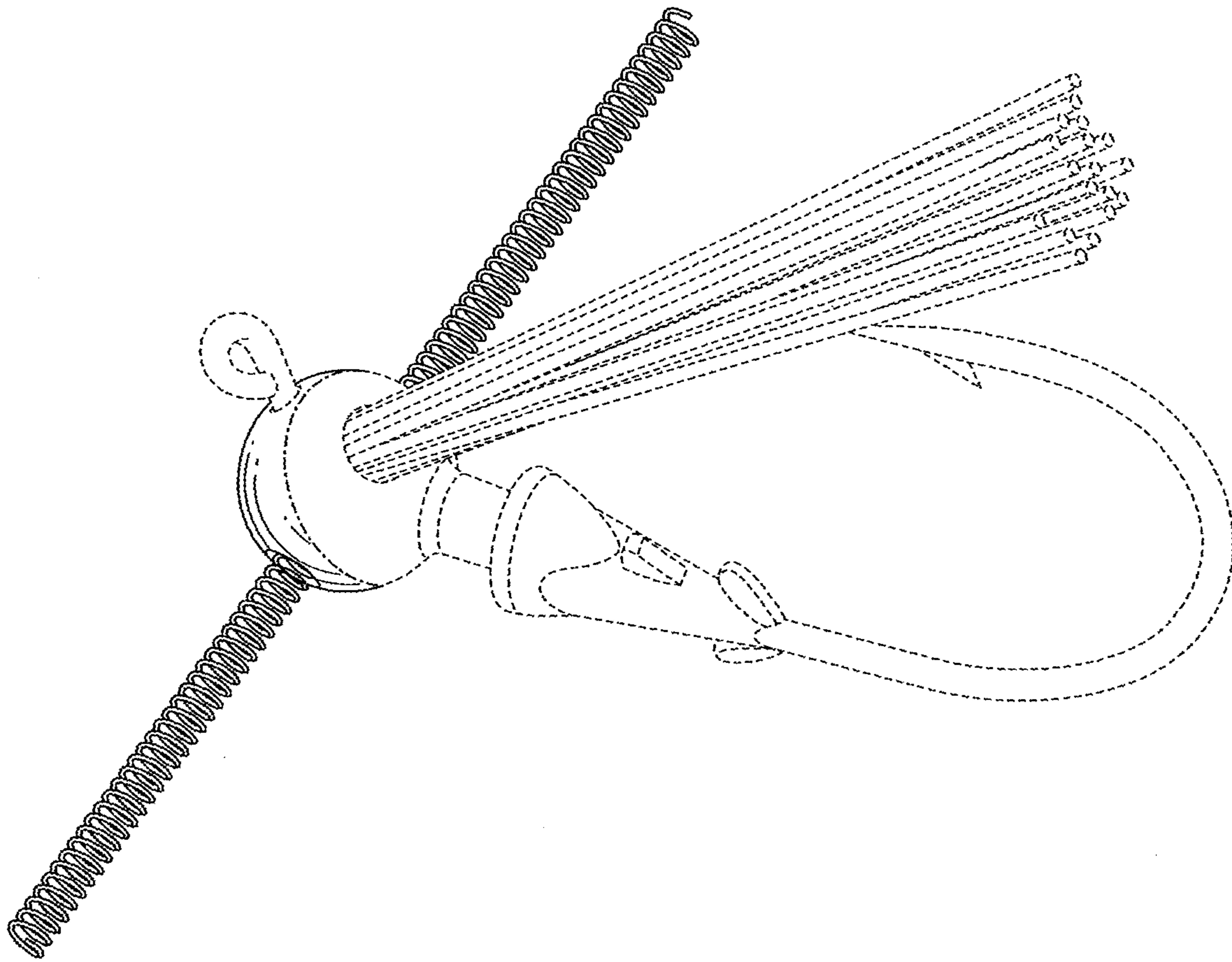


FIG. 15

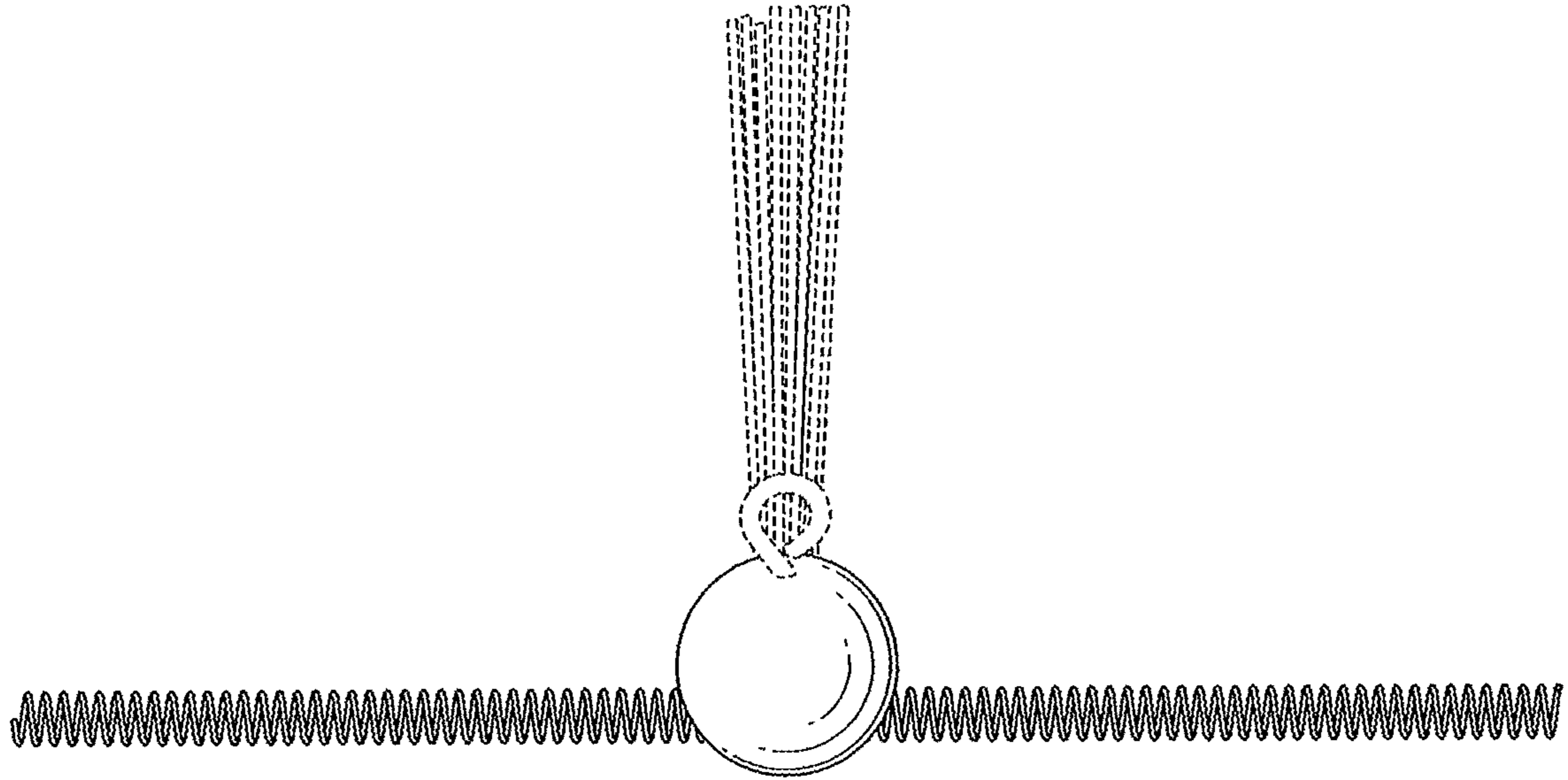


FIG. 16

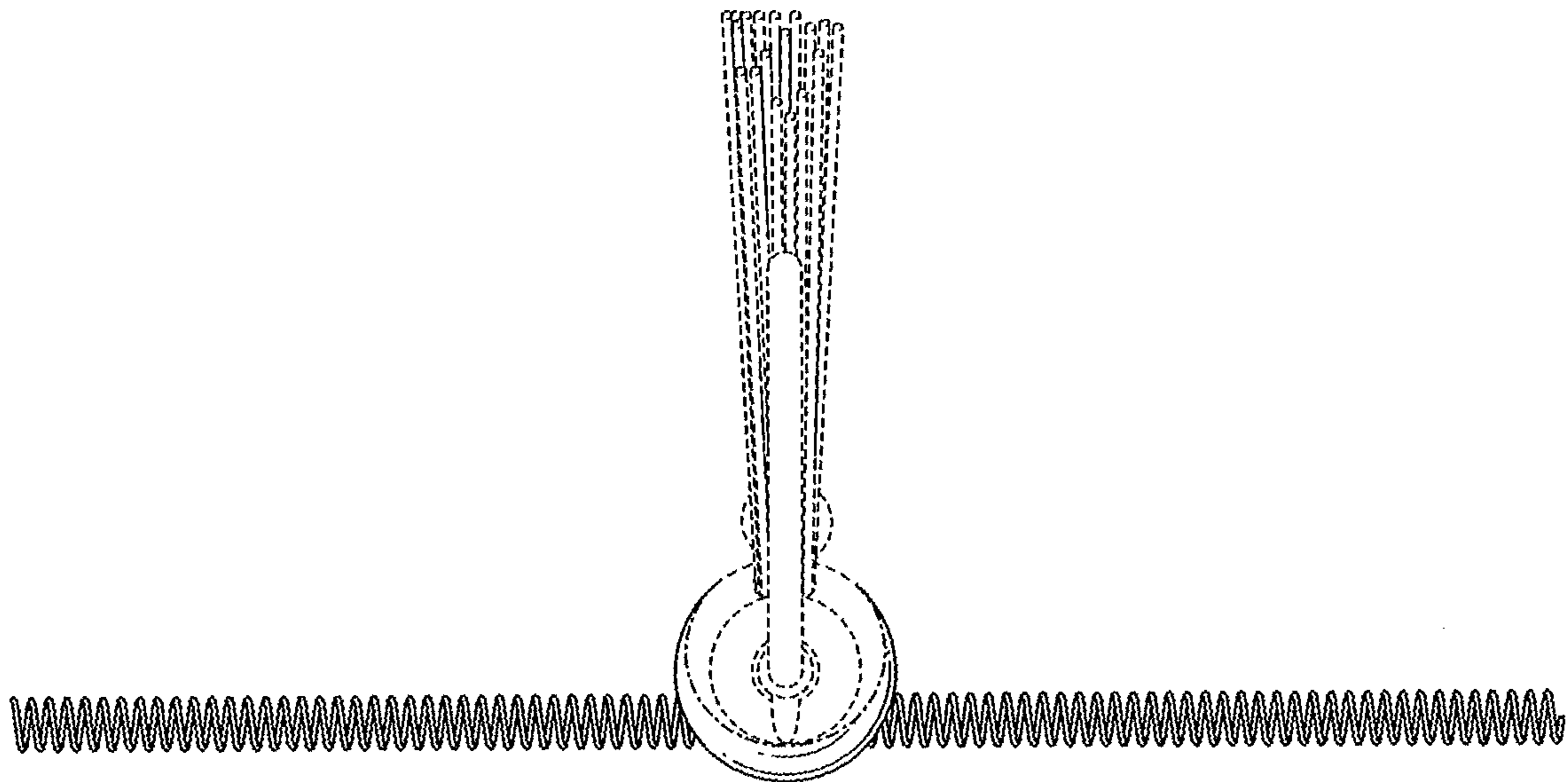


FIG. 17

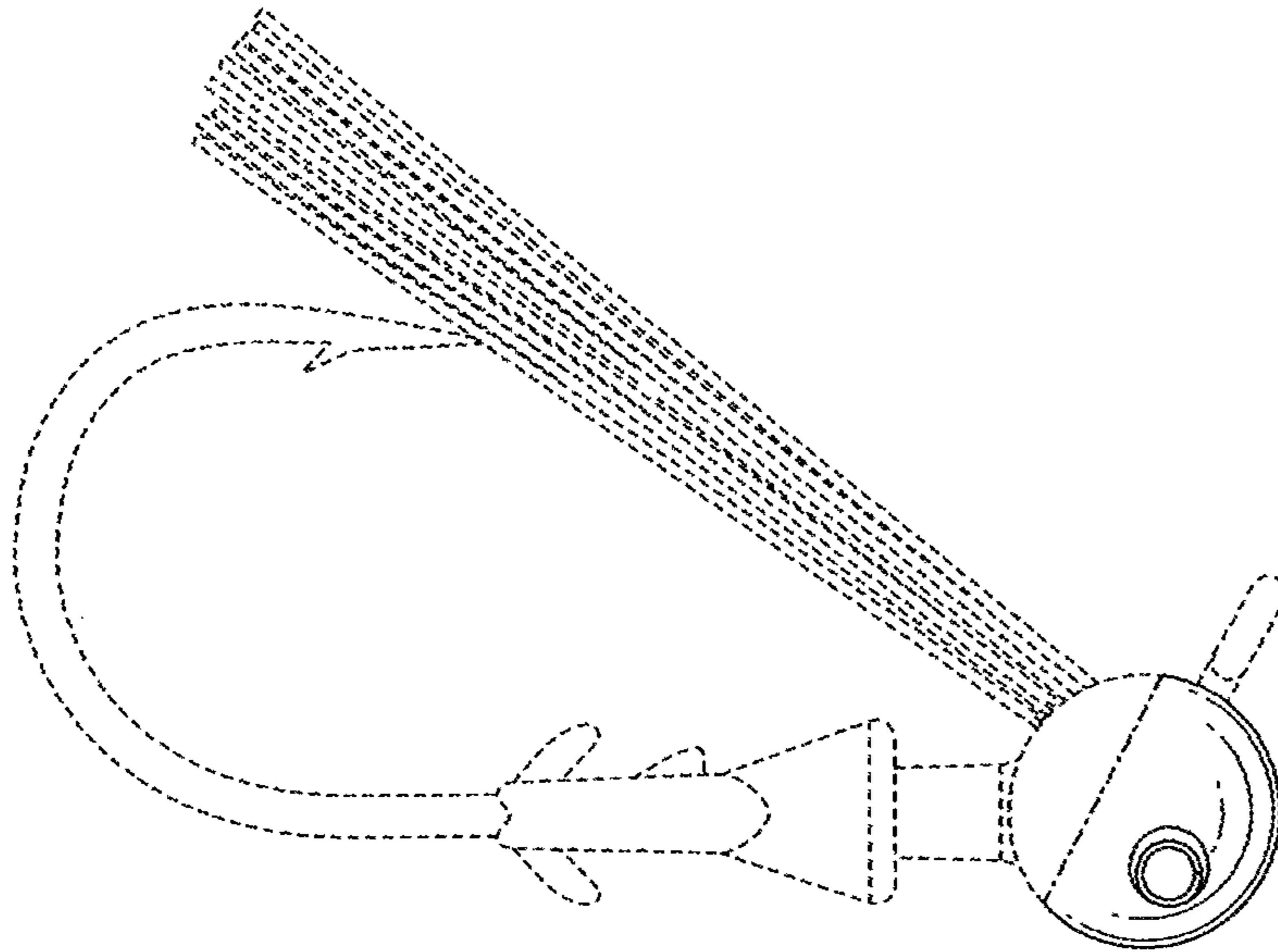


FIG. 18

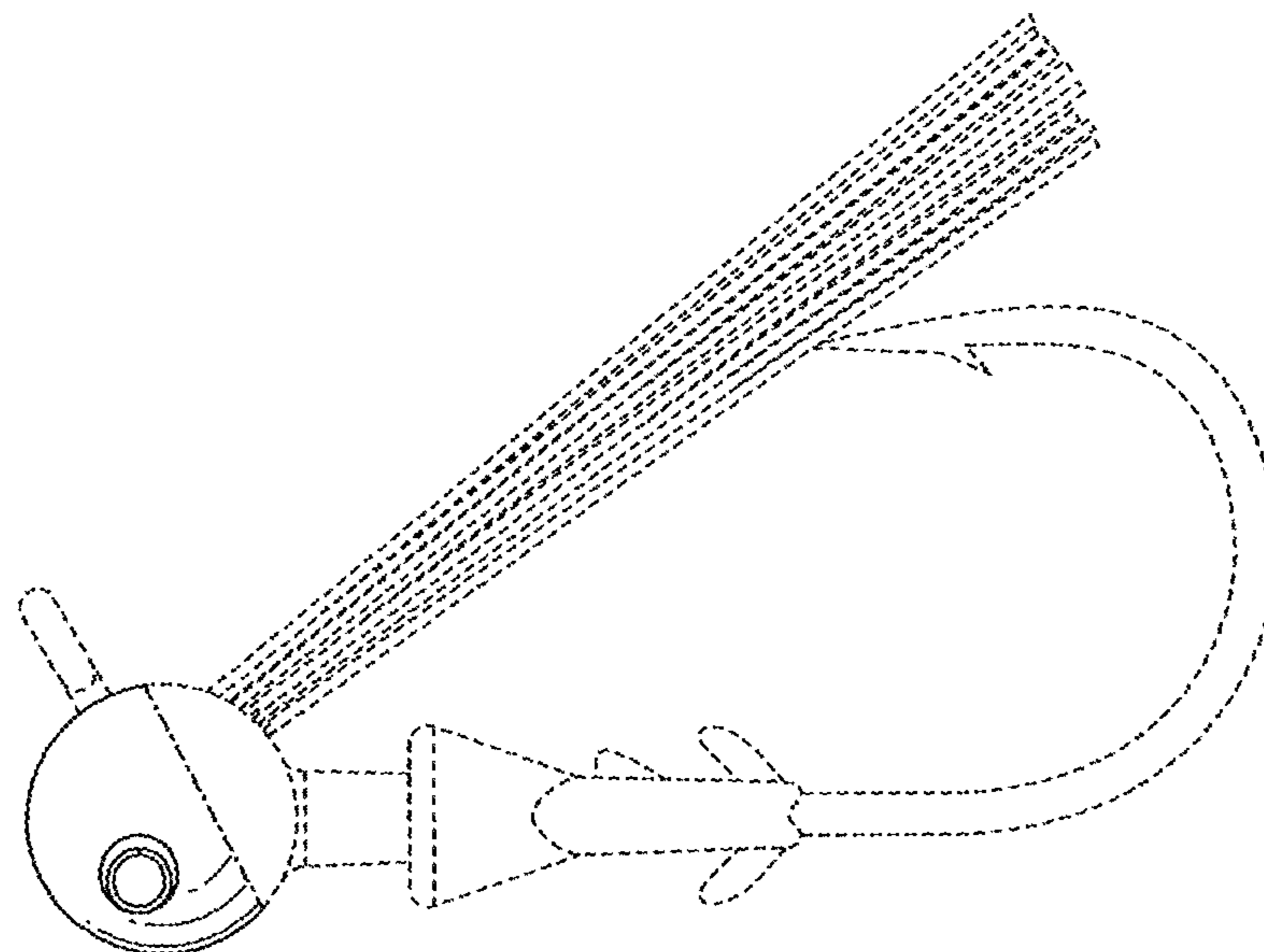


FIG. 19

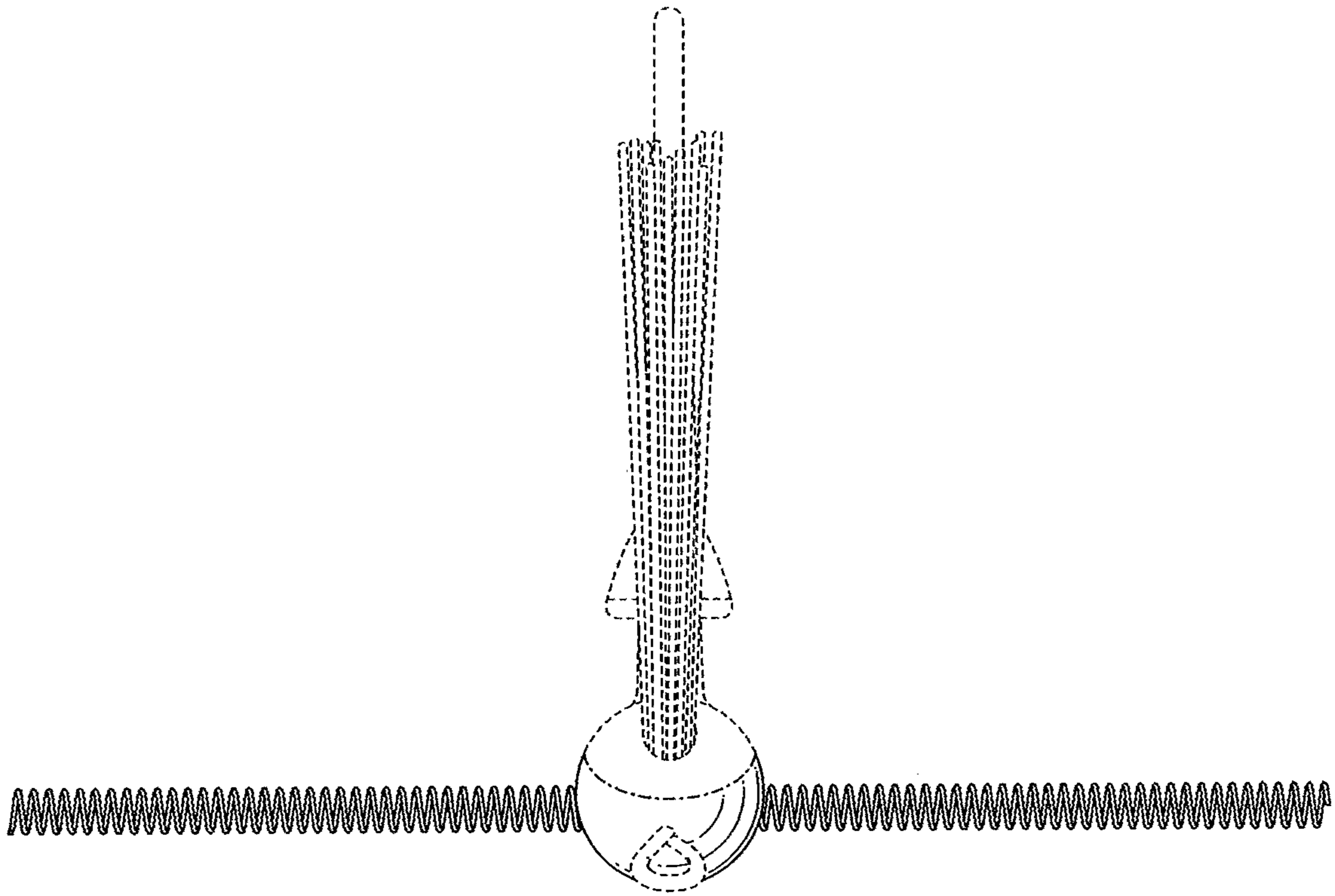


FIG. 20

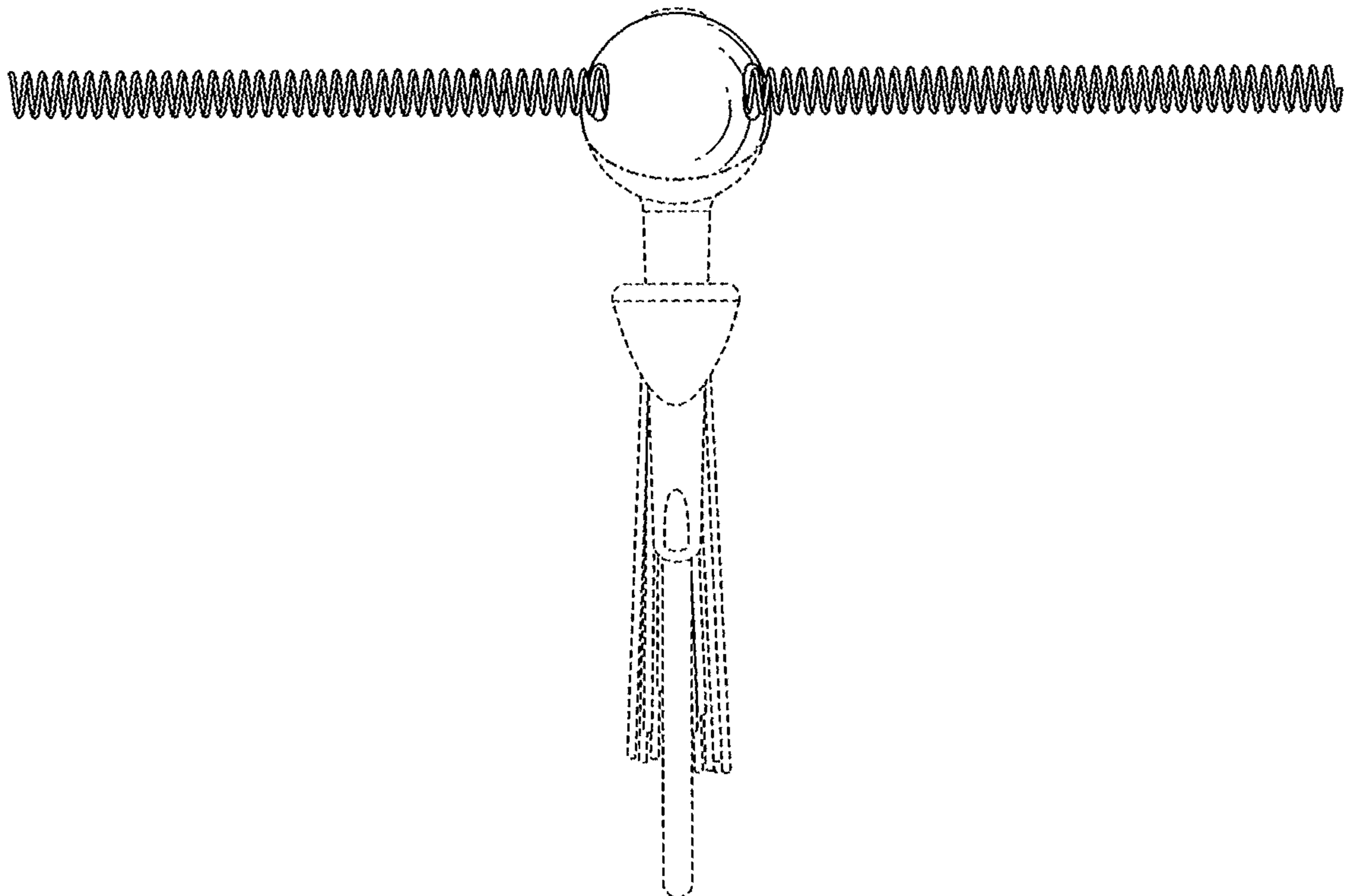


FIG. 21

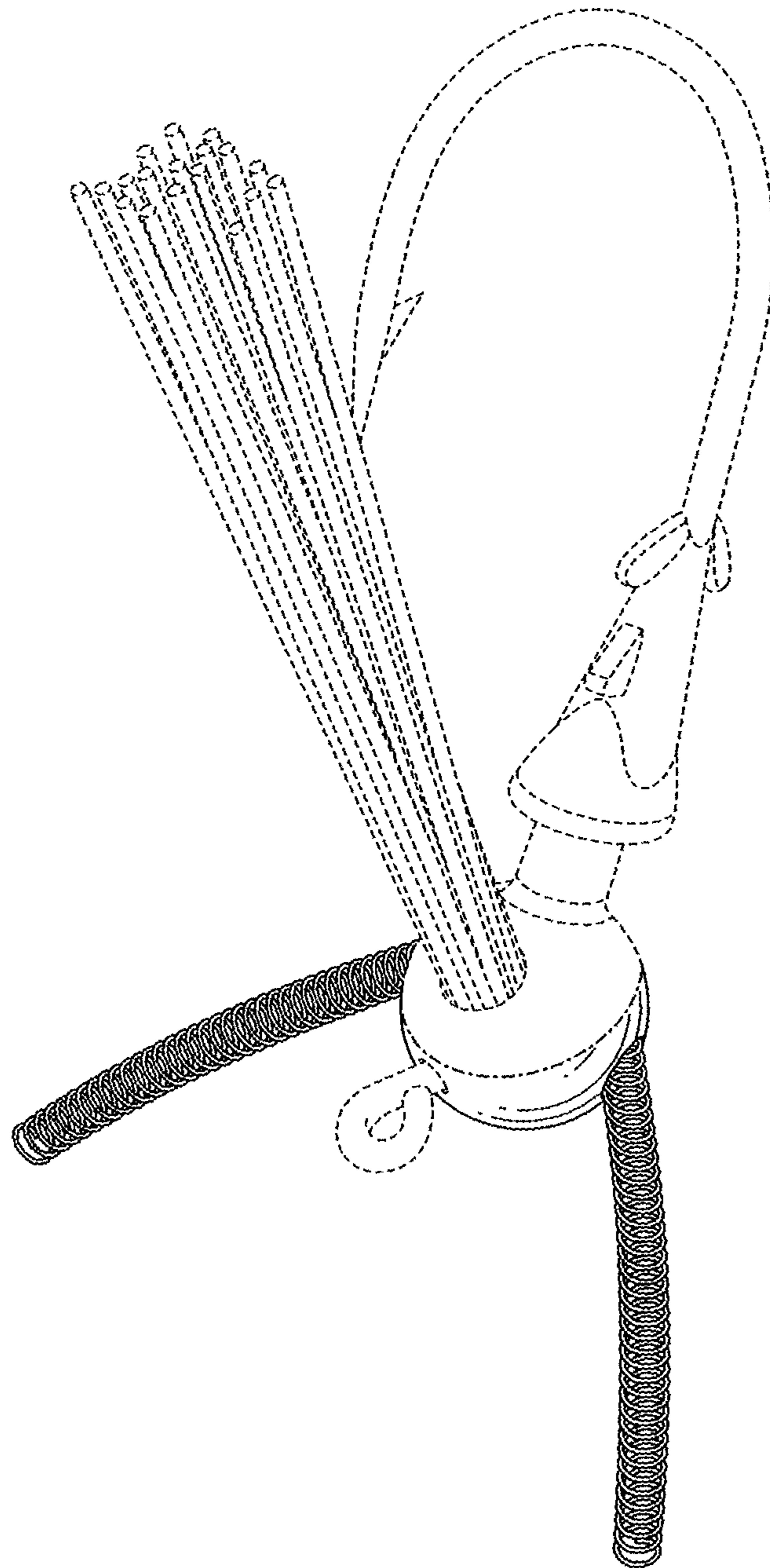


FIG. 22

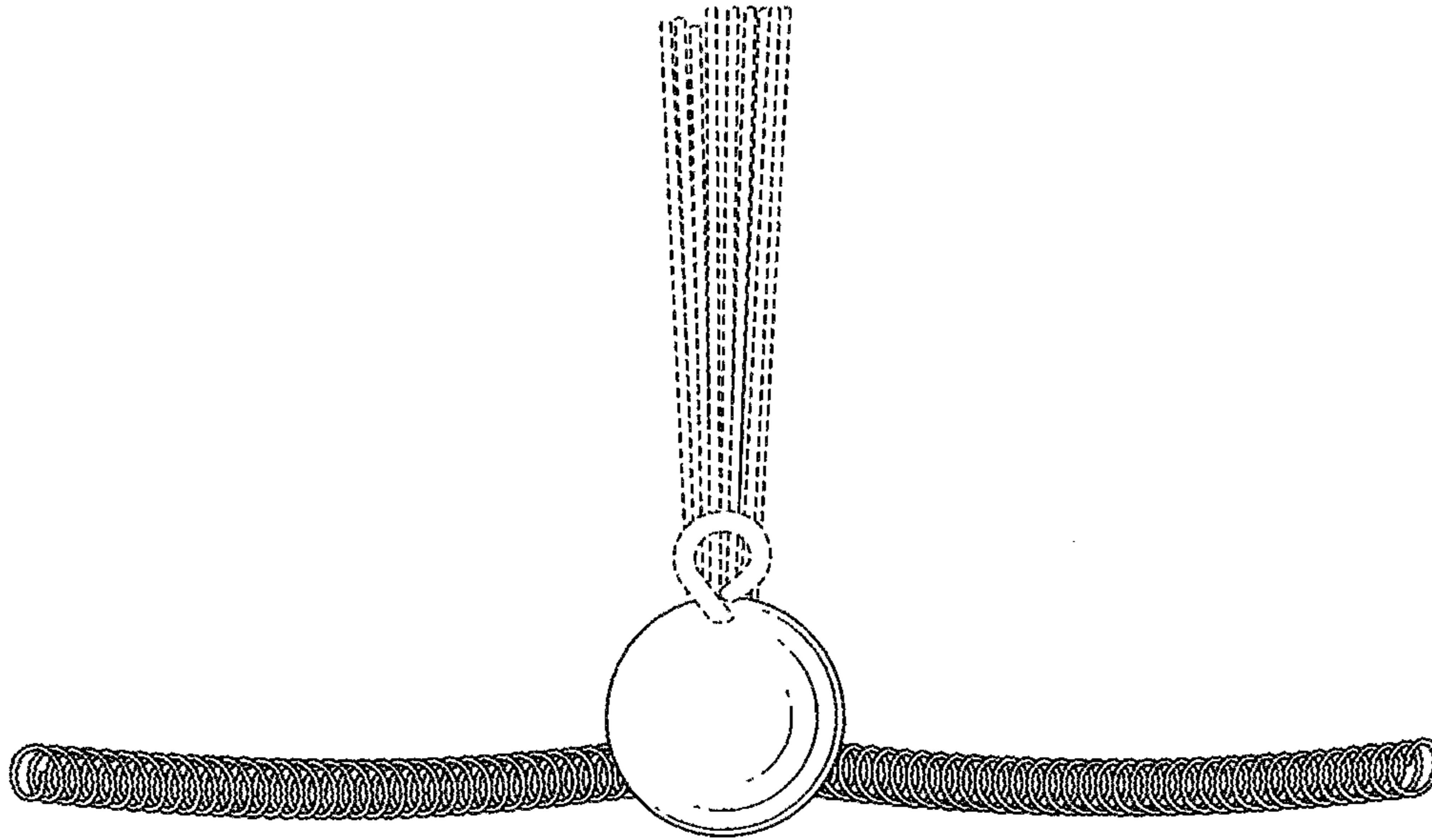


FIG. 23

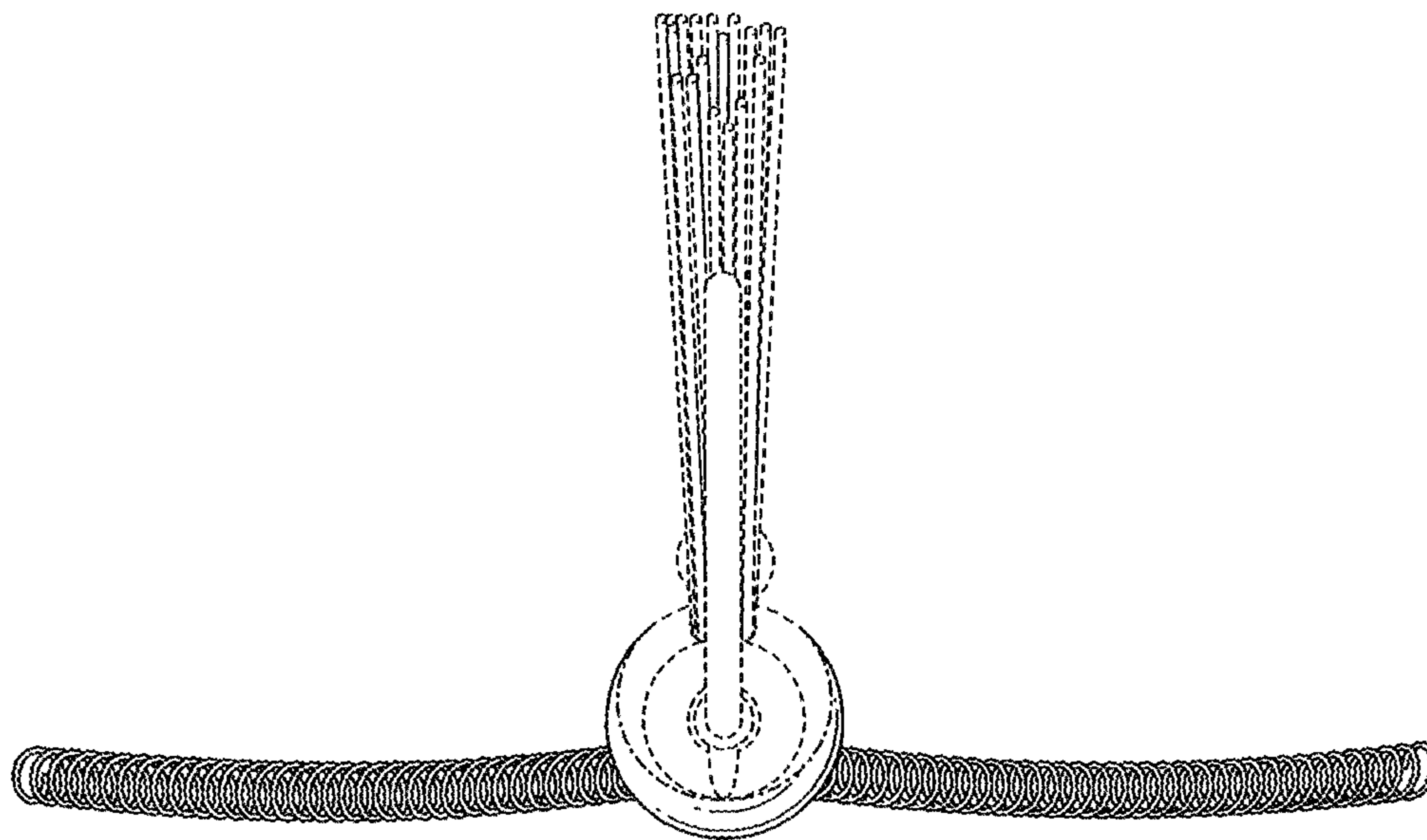


FIG. 24

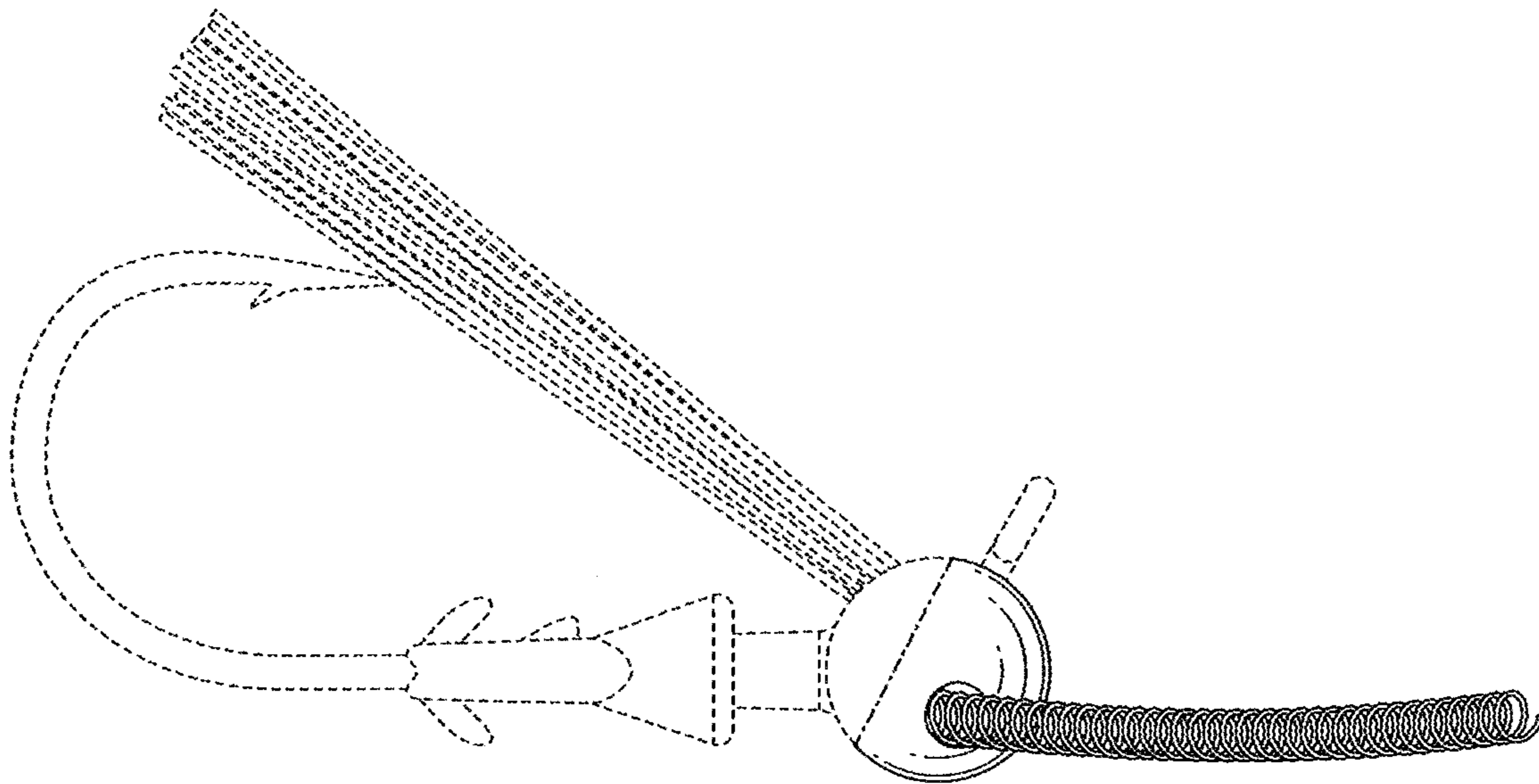


FIG. 25

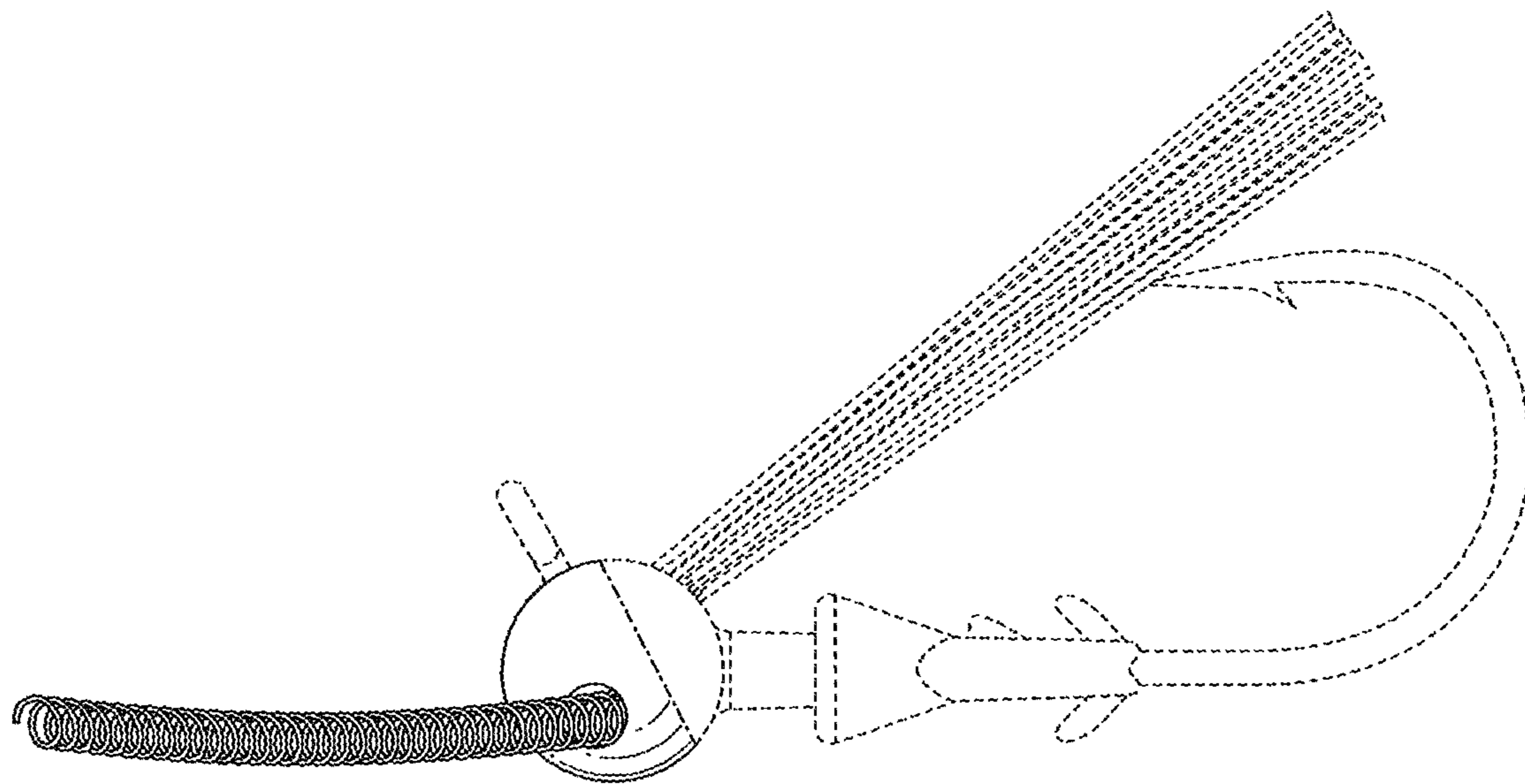


FIG. 26

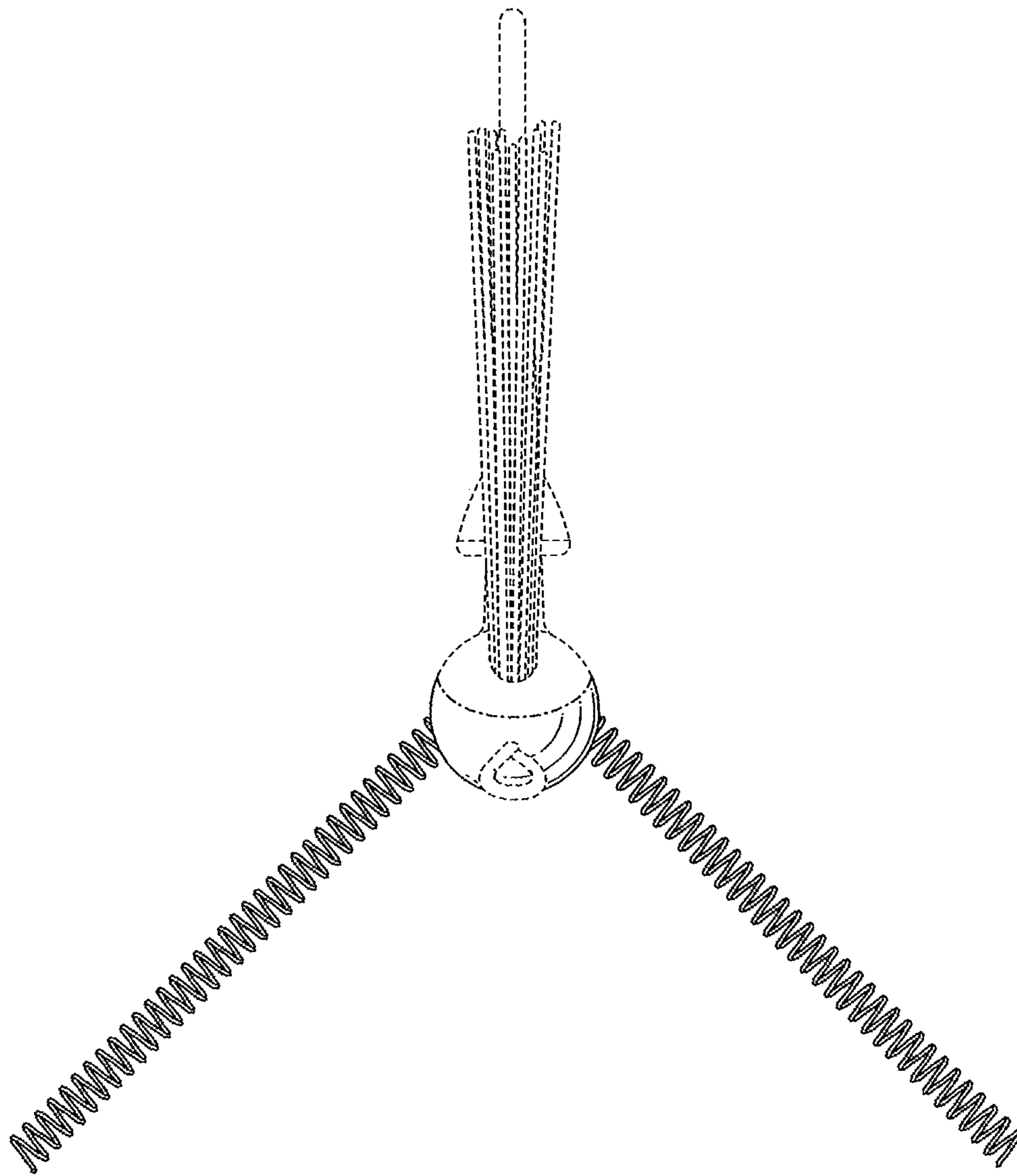


FIG. 27

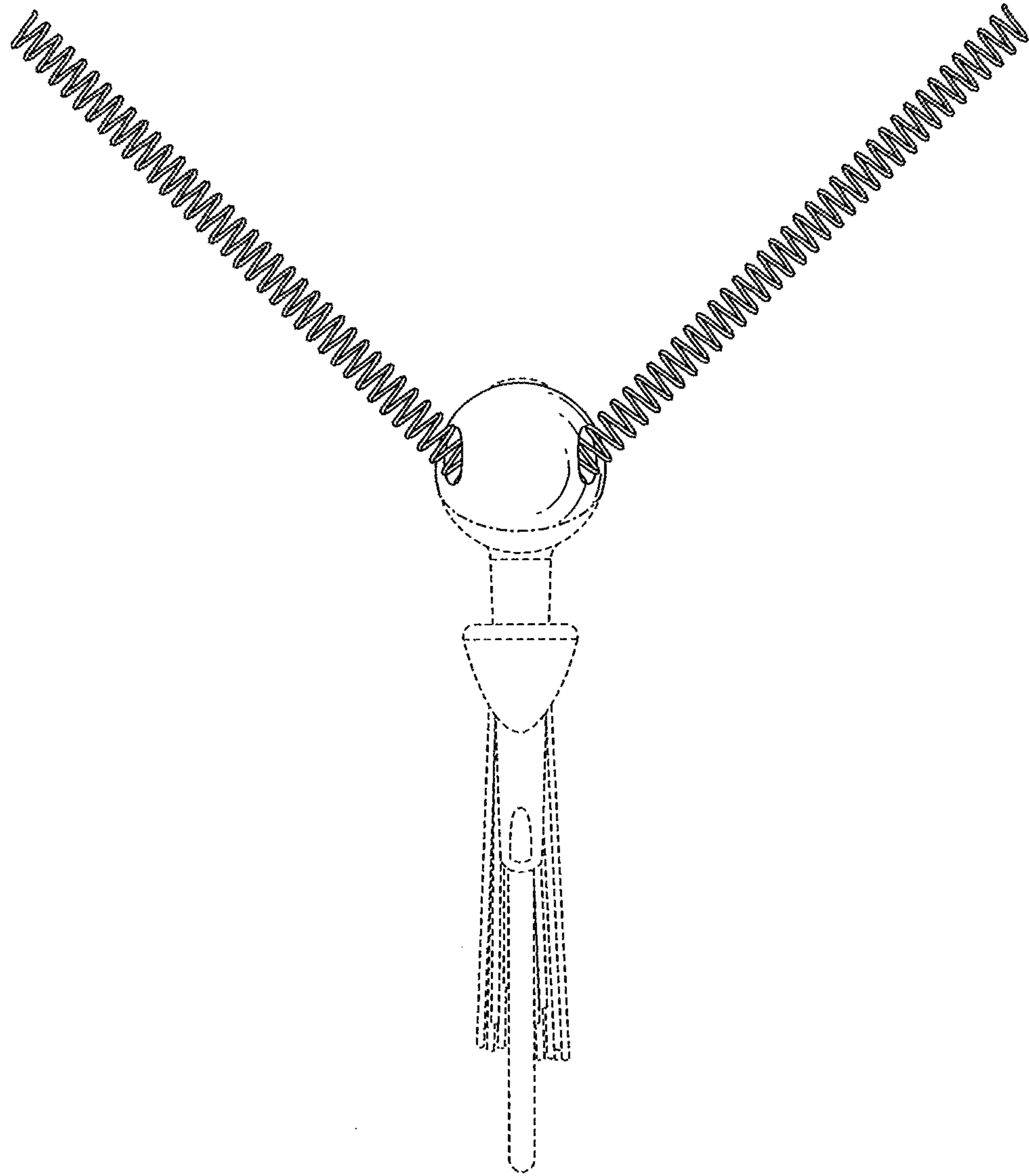


FIG. 28

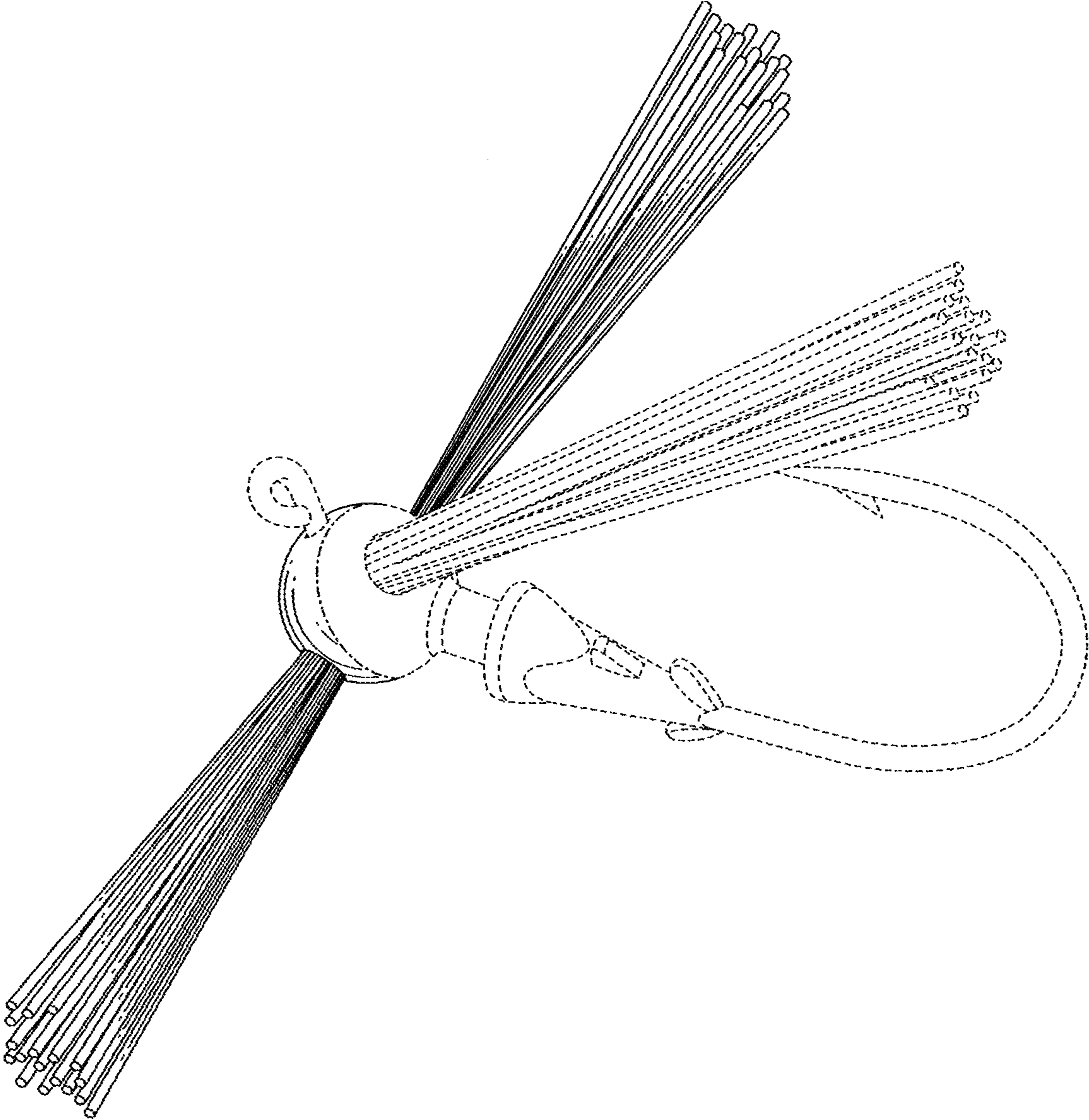


FIG. 29

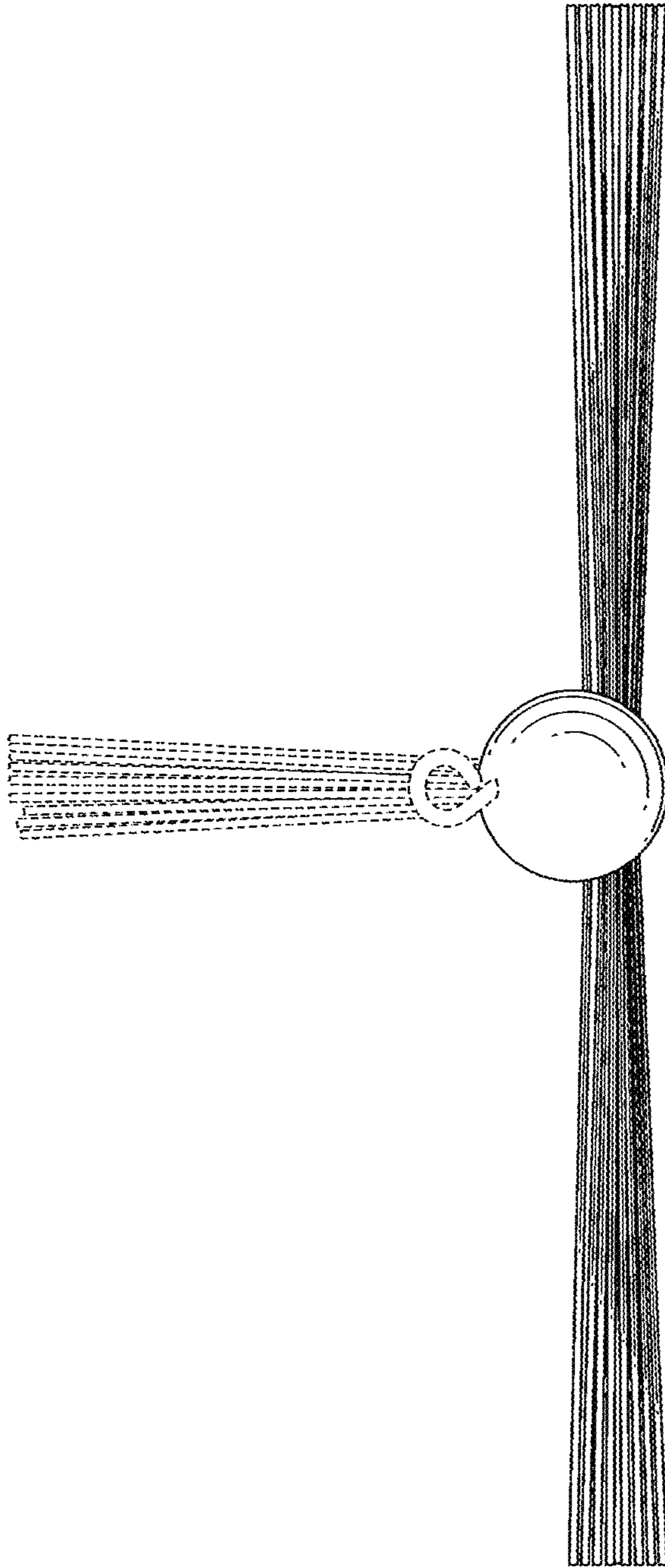


FIG. 30

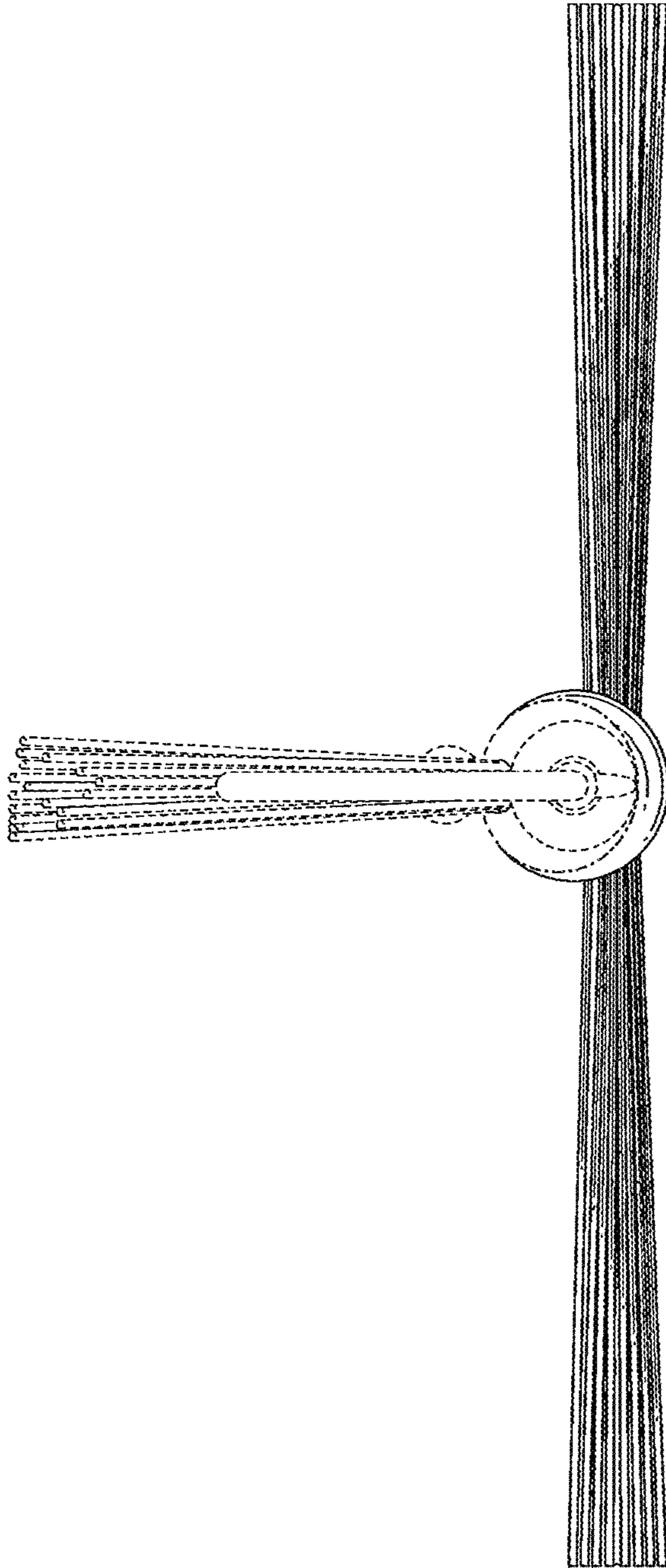


FIG. 31

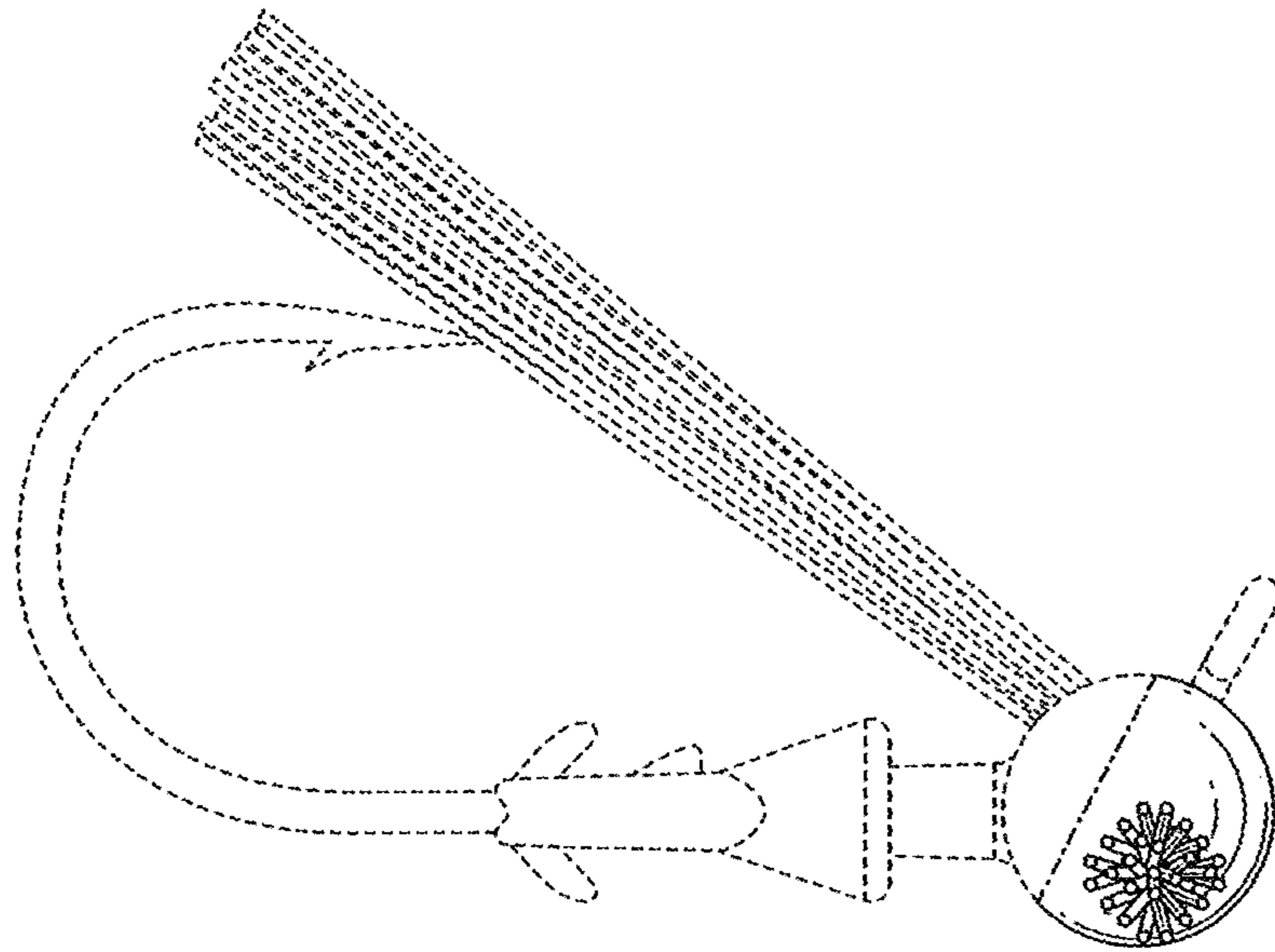


FIG. 32

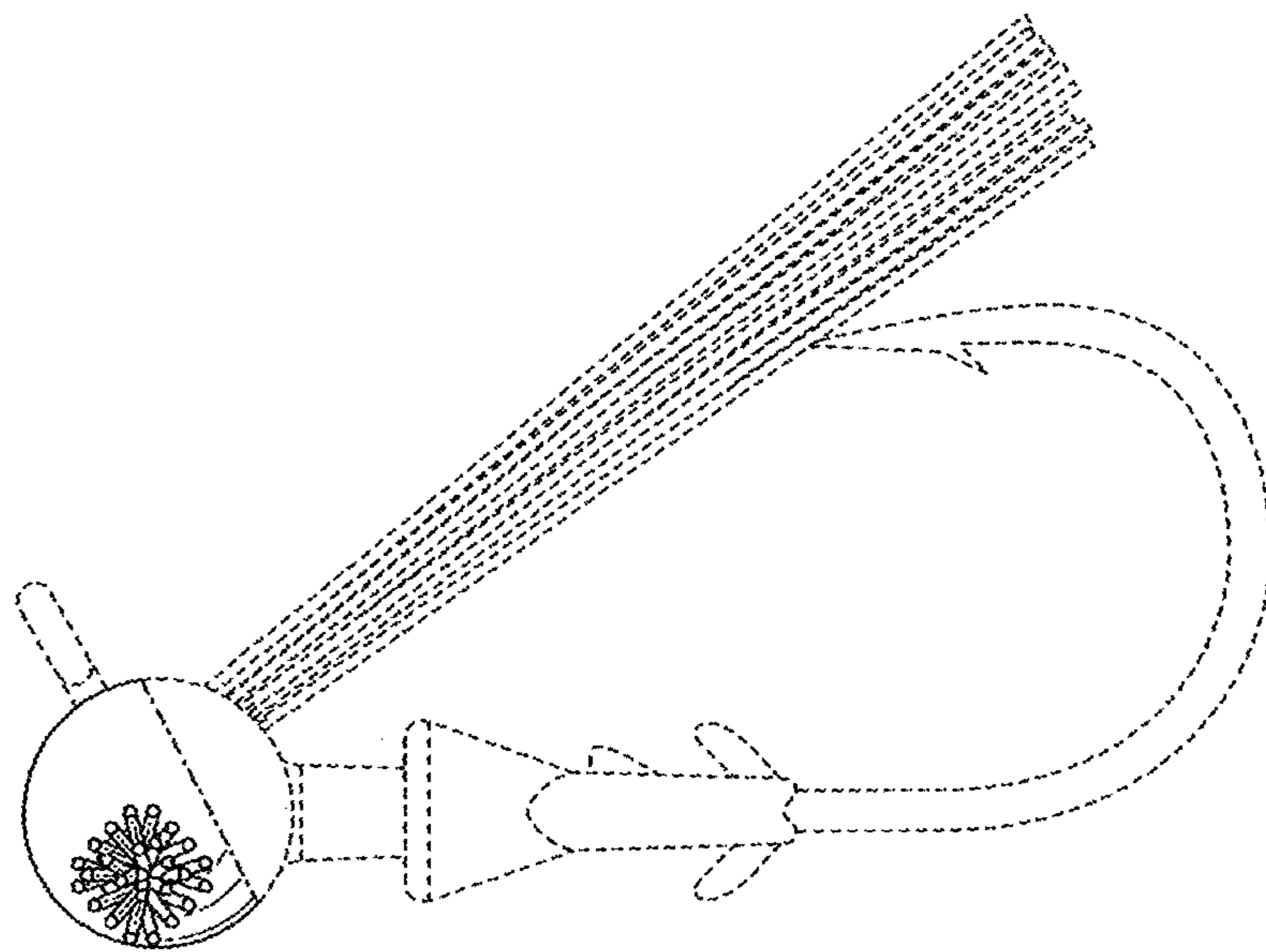


FIG. 33

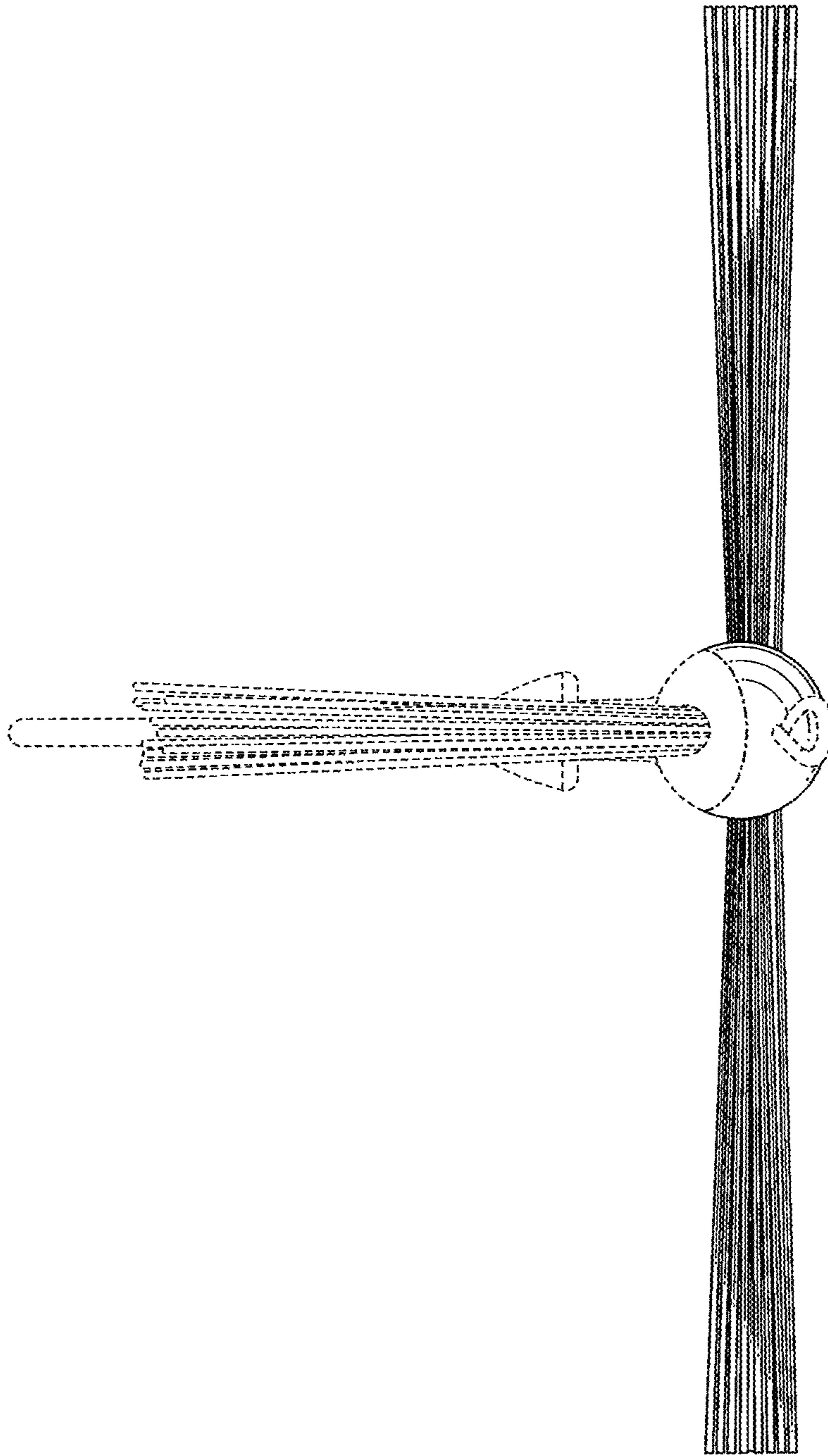


FIG. 34

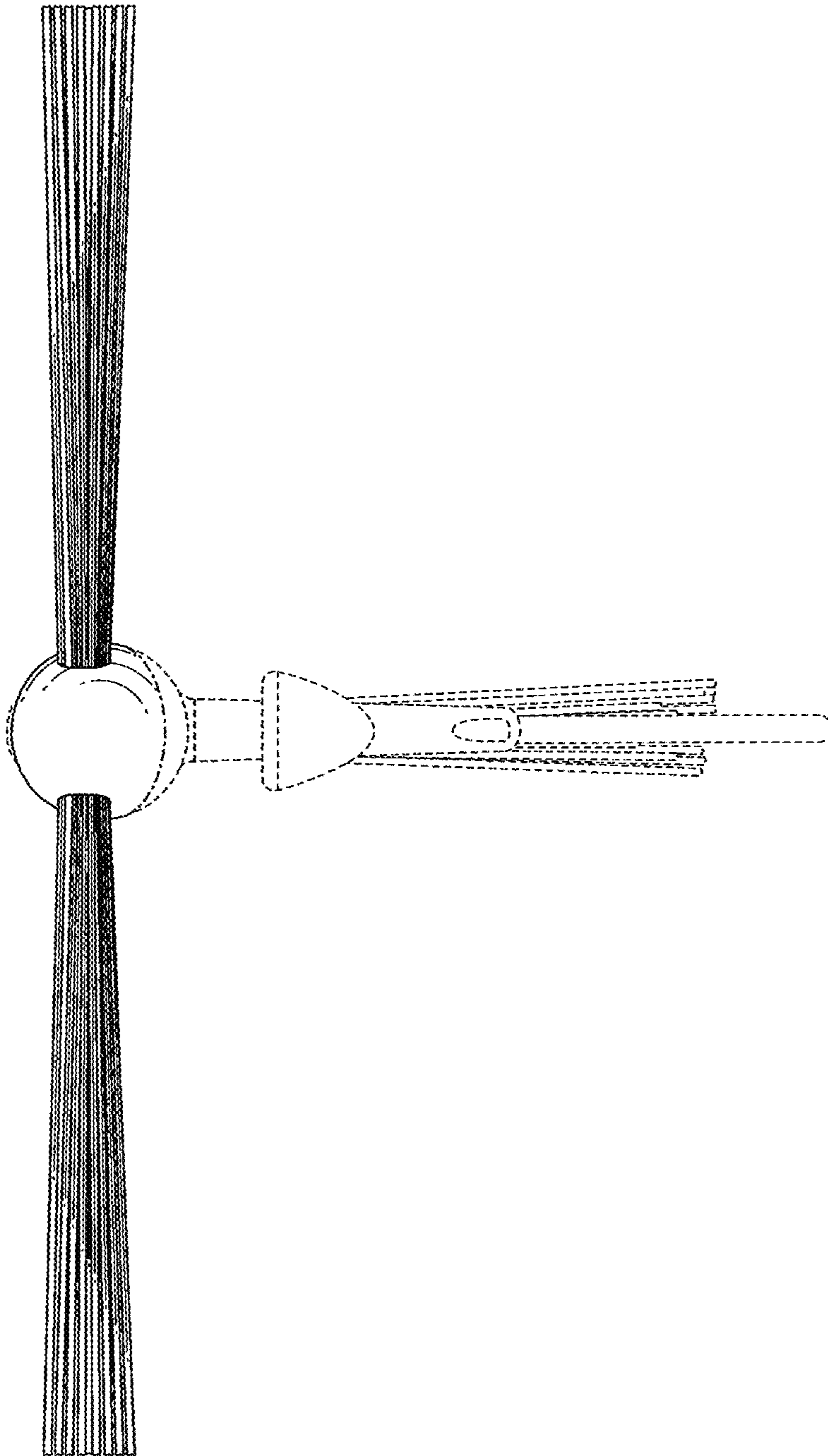


FIG. 35

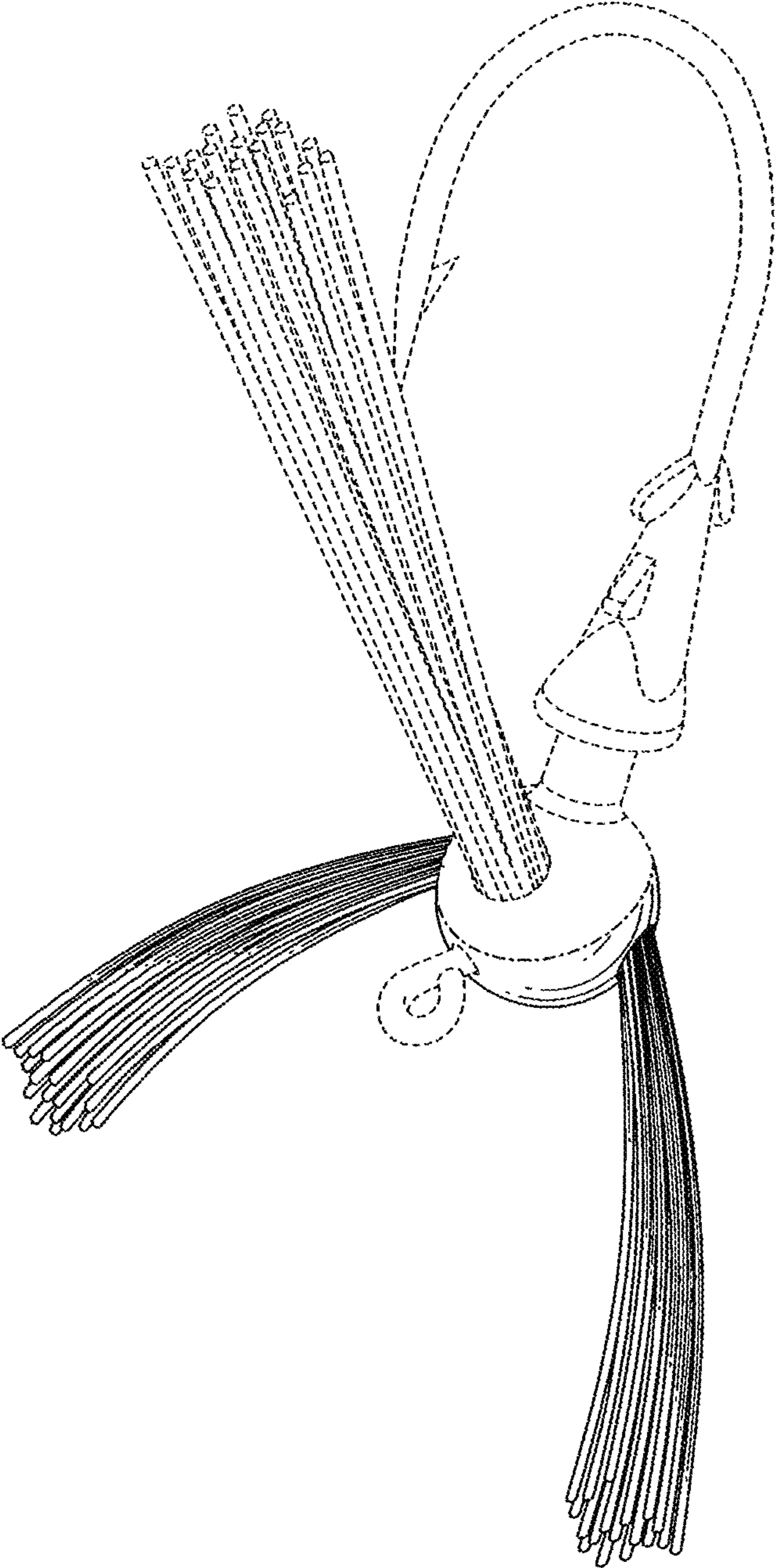


FIG. 36

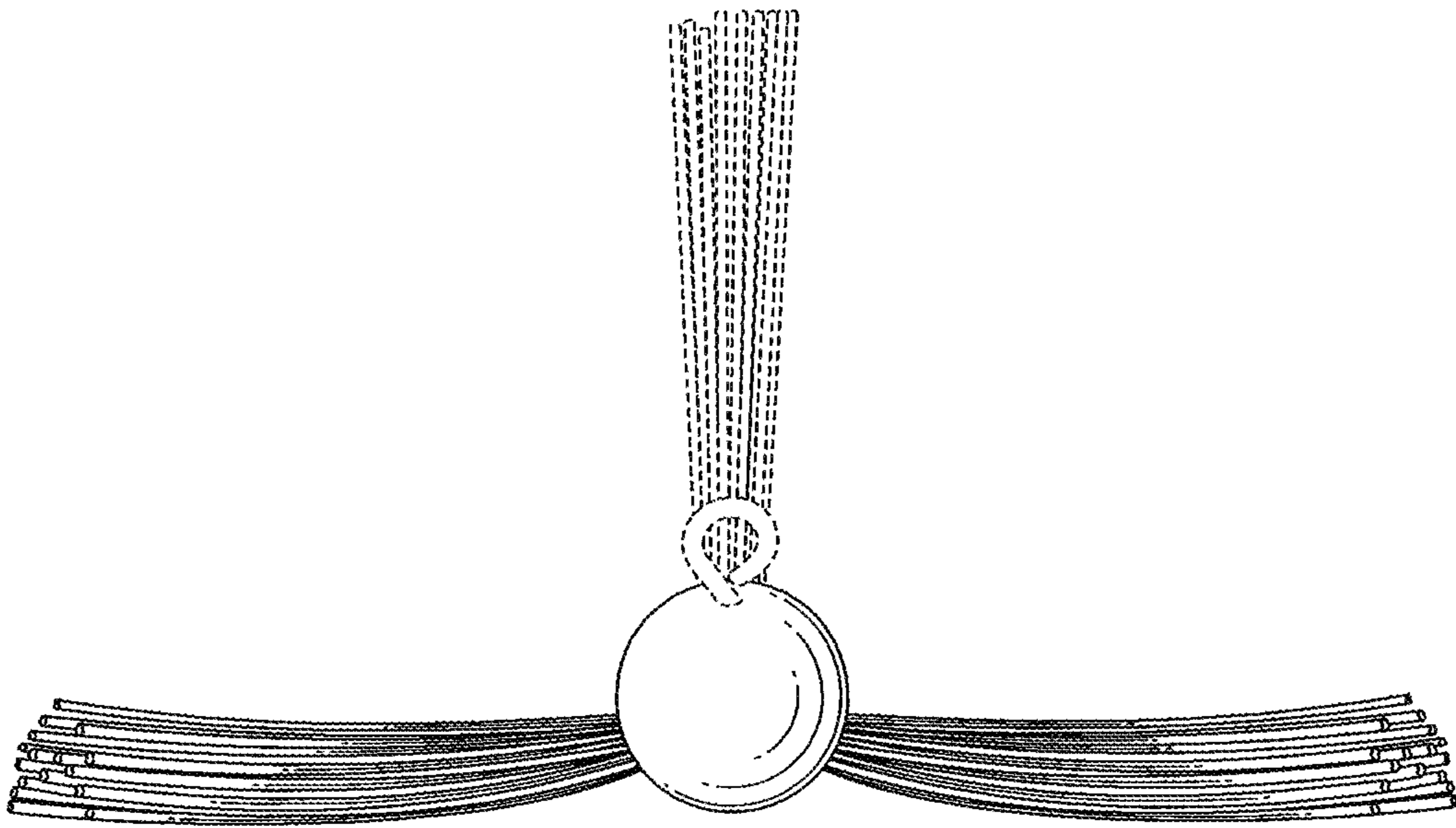


FIG. 37

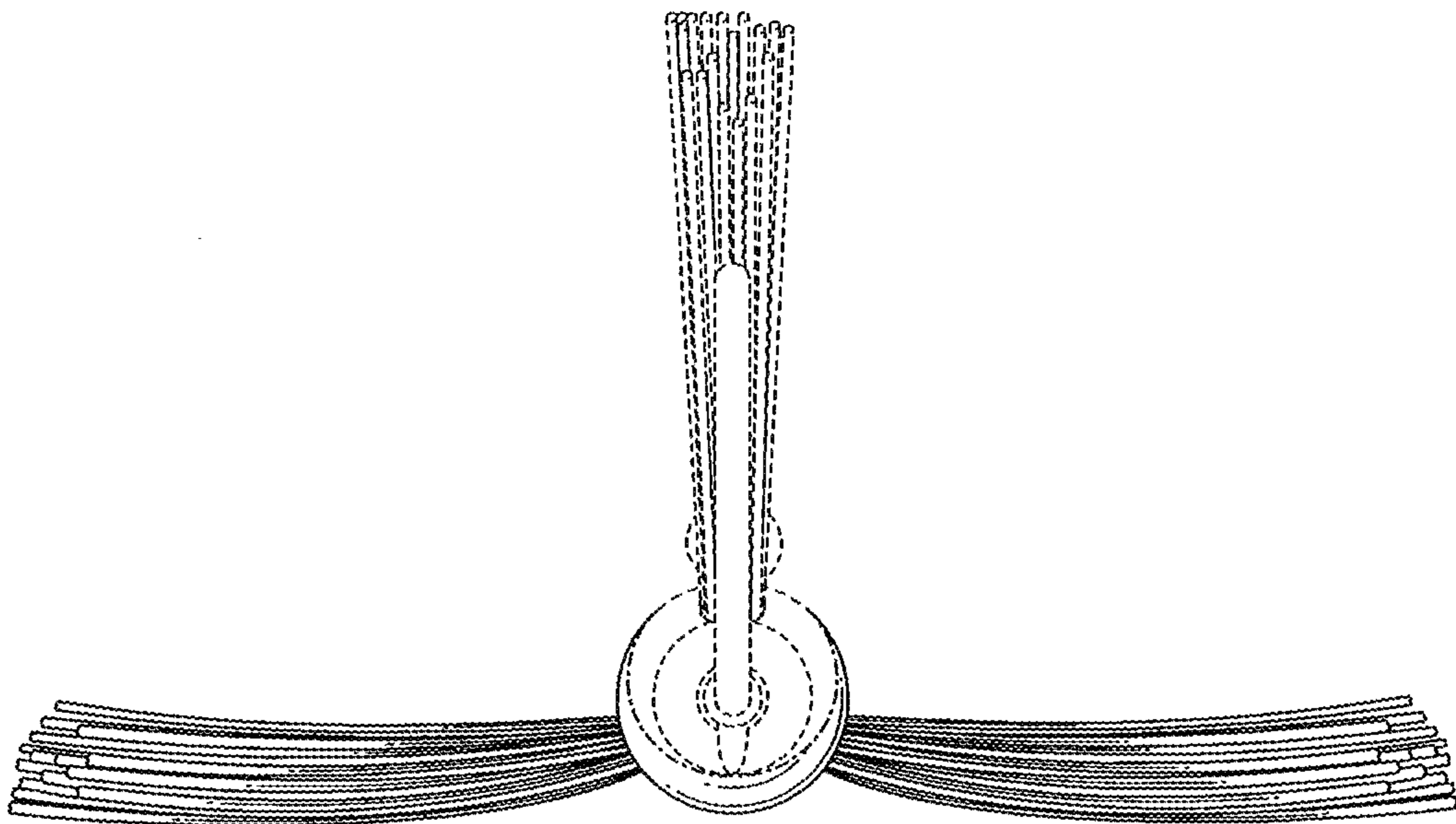


FIG. 38

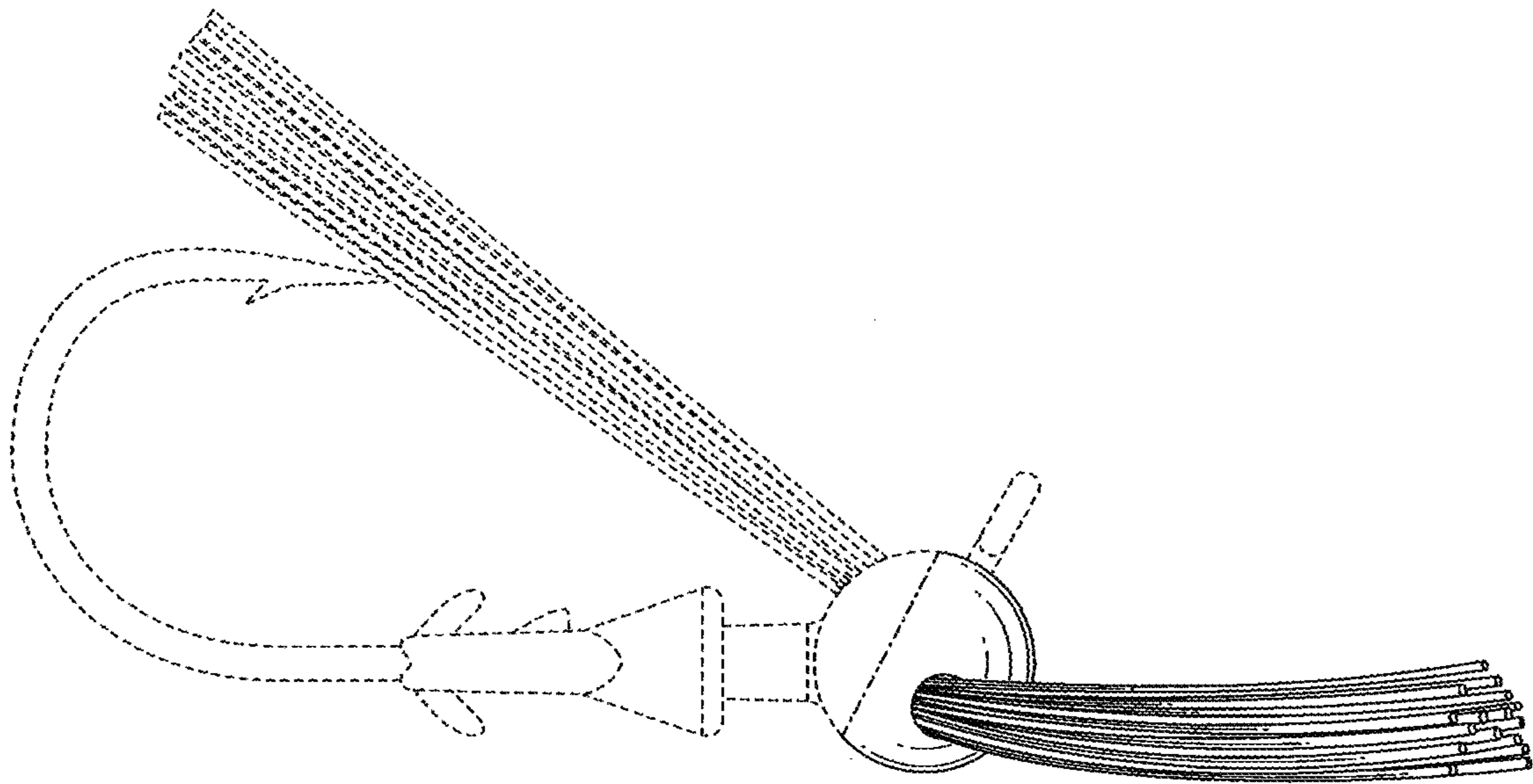


FIG. 39

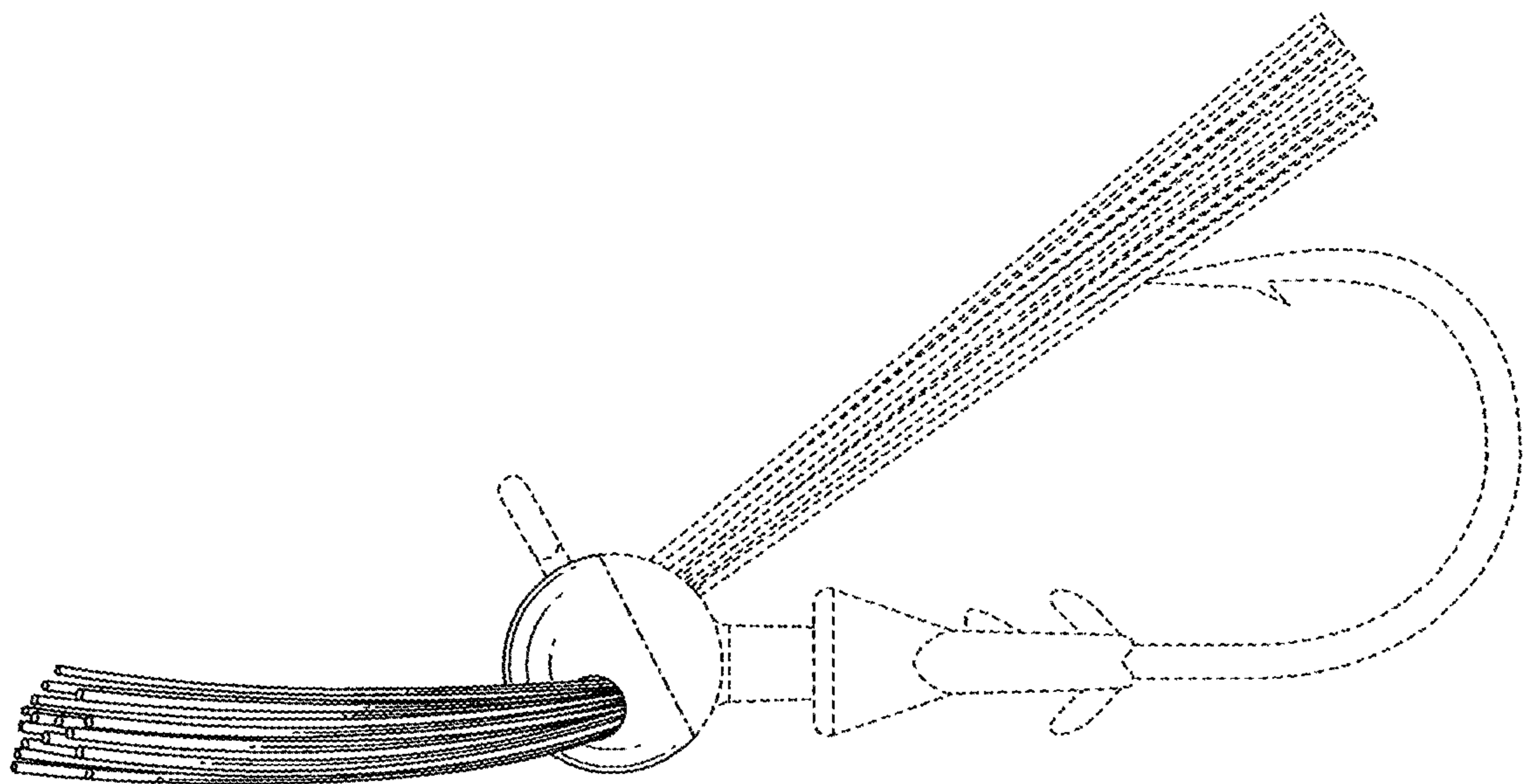


FIG. 40

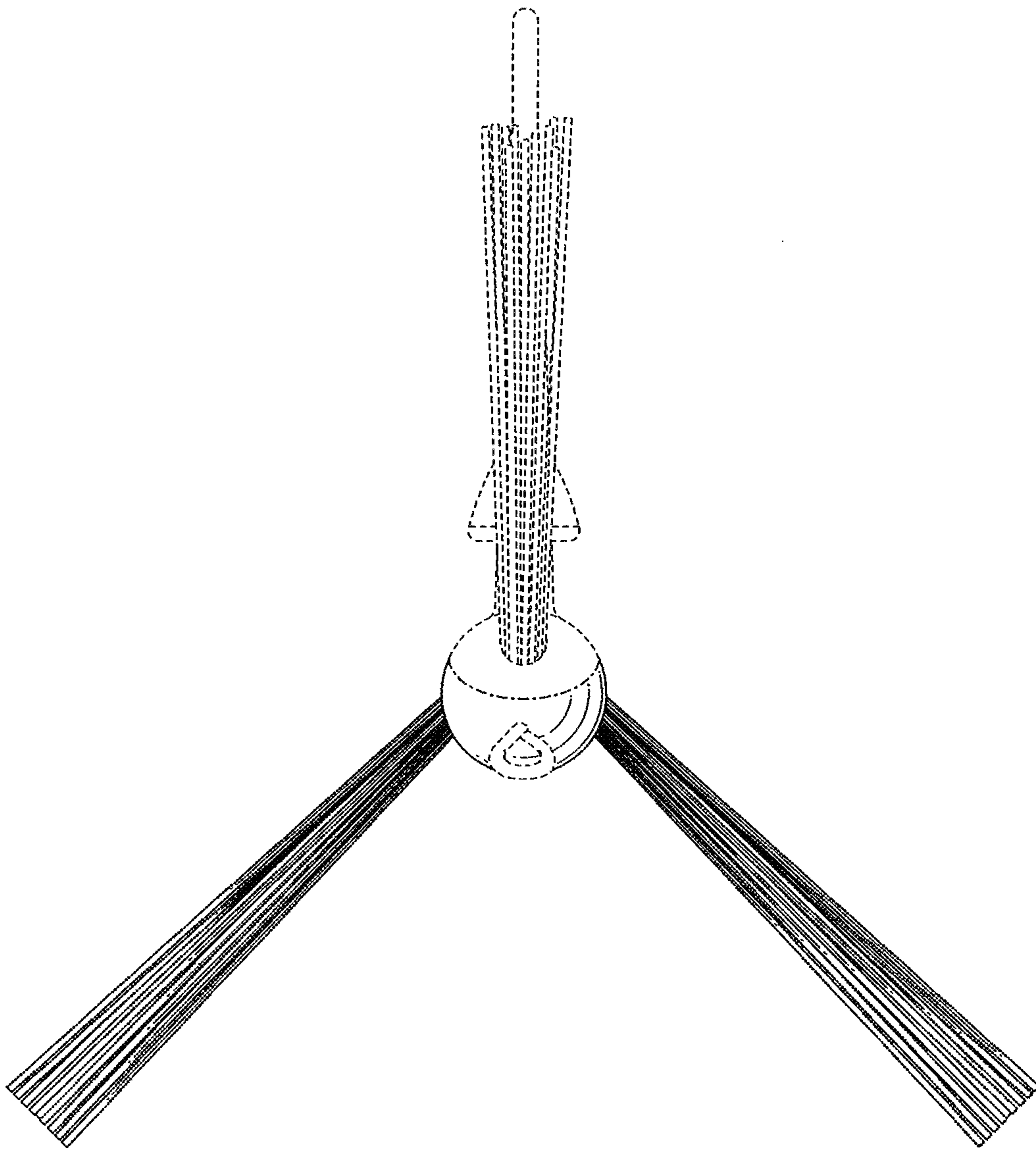


FIG. 41

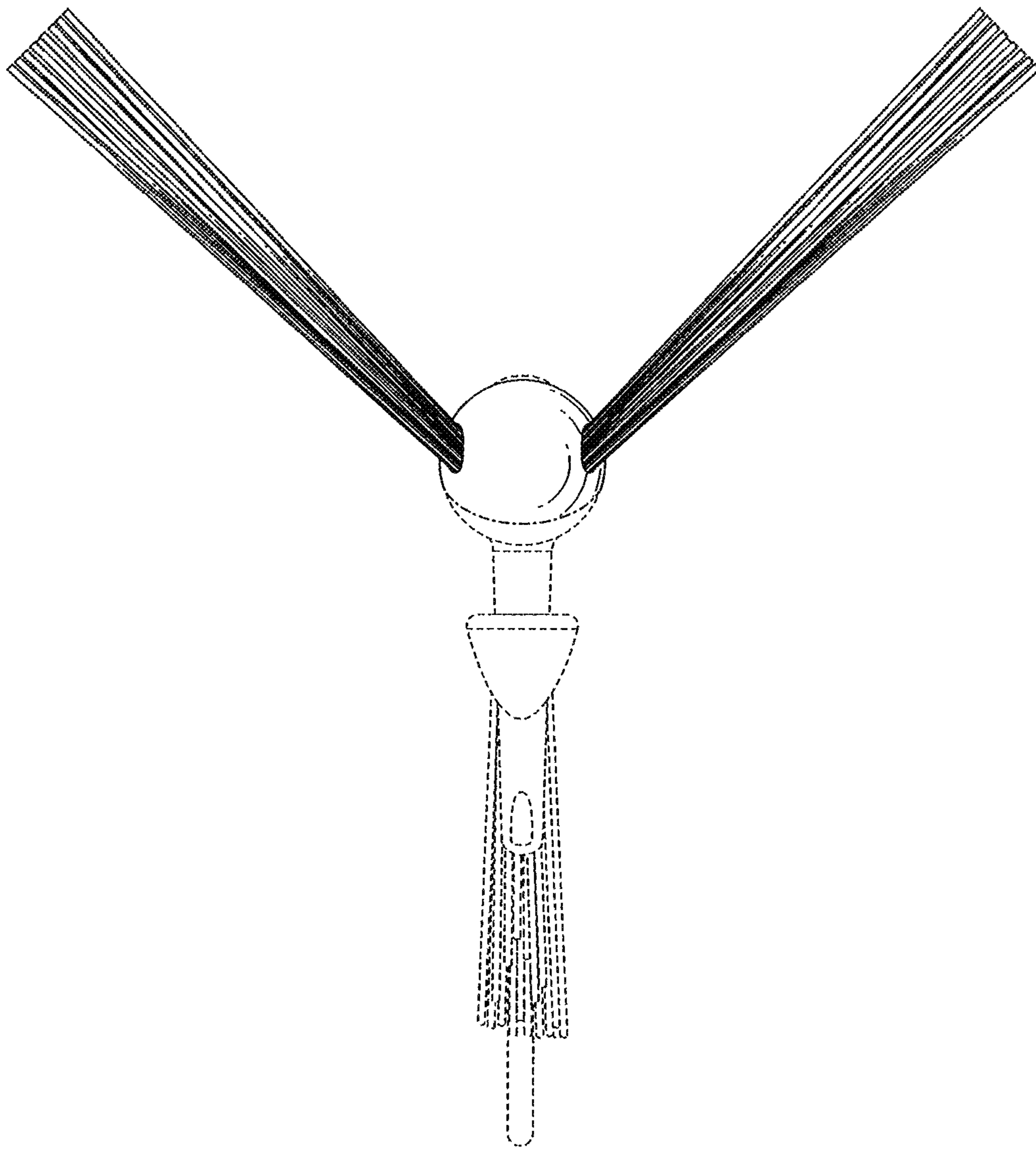


FIG. 42