



US00D893669S

(12) **United States Design Patent** (10) **Patent No.:** **US D893,669 S**  
**Aoki** (45) **Date of Patent:** **\*\* Aug. 18, 2020**

(54) **FISHING REEL PORTION**

(71) Applicant: **Shimano Inc.**, Sakai, Osaka (JP)

(72) Inventor: **Shingo Aoki**, Osaka (JP)

(73) Assignee: **Shimano Inc.**, Osaka (JP)

(\*\*) Term: **15 Years**

(21) Appl. No.: **29/694,701**

(22) Filed: **Jun. 12, 2019**

(30) **Foreign Application Priority Data**

Feb. 12, 2019 (JP) ..... 2019-002792

(51) **LOC (12) Cl.** ..... **22-05**

(52) **U.S. Cl.**  
USPC ..... **D22/140**

(58) **Field of Classification Search**  
USPC ..... D22/140-141; 242/223-224, 227, 230,  
242/234-240, 243, 283, 295, 310-318;  
43/19-21

CPC ..... A01K 89/00; F41B 5/1484  
See application file for complete search history.

(56) **References Cited**

**U.S. PATENT DOCUMENTS**

|            |   |         |          |       |         |
|------------|---|---------|----------|-------|---------|
| D583,010 S | * | 12/2008 | Gray     | ..... | D22/140 |
| D595,806 S |   | 7/2009  | Nago     |       |         |
| D709,985 S |   | 7/2014  | Deguchi  |       |         |
| D718,409 S |   | 11/2014 | Asaba    |       |         |
| D731,613 S | * | 6/2015  | Kano     | ..... | D22/140 |
| D767,083 S |   | 9/2016  | Niitsuma |       |         |
| D846,061 S | * | 4/2019  | Niitsuma | ..... | D22/140 |

**FOREIGN PATENT DOCUMENTS**

|    |            |        |
|----|------------|--------|
| JP | D1476570 S | 8/2013 |
| JP | D1476571 S | 8/2013 |

\* cited by examiner

*Primary Examiner* — Catherine R Oliver-Garcia

(74) *Attorney, Agent, or Firm* — Global IP Counselors, LLP

(57) **CLAIM**

An ornamental design for a fishing reel portion, as shown and described.

**DESCRIPTION**

FIG. 1 is a first perspective view of a fishing reel that includes a fishing reel portion in accordance with my new design;

FIG. 2 is a second perspective view of the fishing reel illustrated in FIG. 1 that includes the fishing reel portion;

FIG. 3 is a first side elevational view of the fishing reel illustrated in FIG. 1 that includes the fishing reel portion;

FIG. 4 is a second side elevational view of the fishing reel illustrated in FIG. 1 with the fishing reel portion completely hidden from sight;

FIG. 5 is a top plan view of the fishing reel illustrated in FIG. 1 with the fishing reel portion completely hidden from sight;

FIG. 6 is a bottom plan view of the fishing reel illustrated in FIG. 1 that includes the fishing reel portion;

FIG. 7 is a rear elevational view of the fishing reel illustrated in FIG. 1 with the fishing reel portion completely hidden from sight;

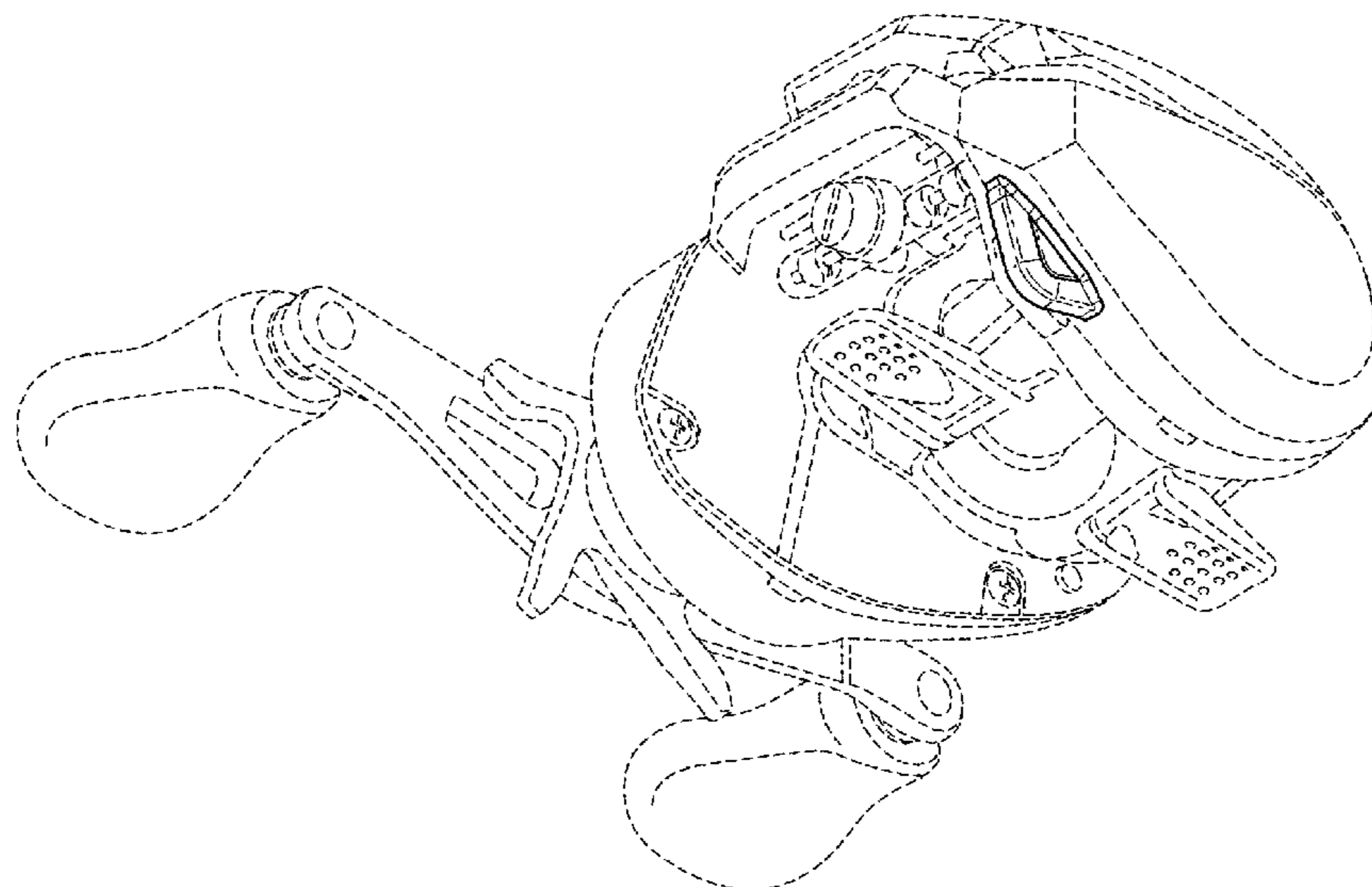
FIG. 8 is a front elevational view of the fishing reel illustrated in FIG. 1 that includes the fishing reel portion;

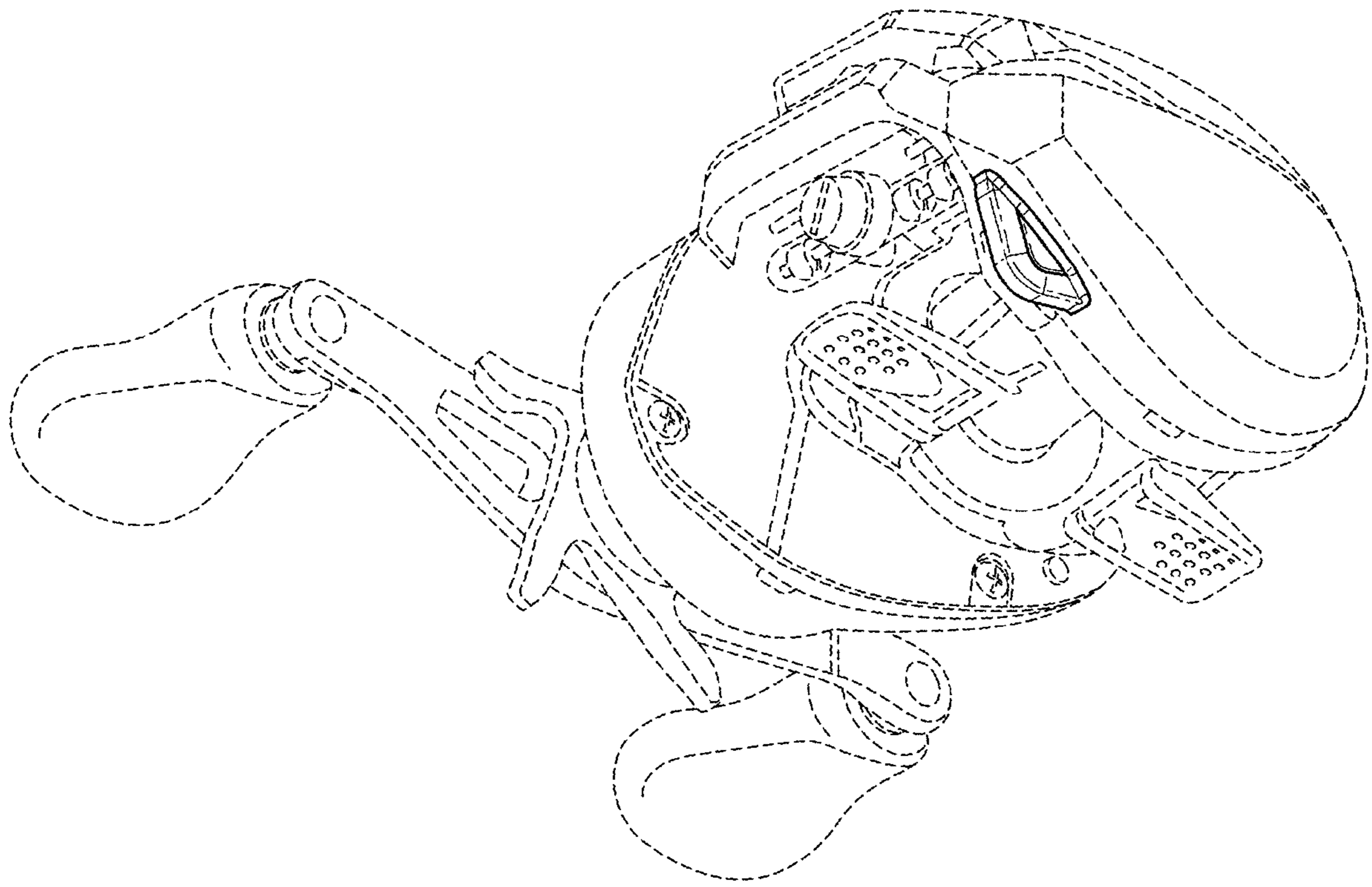
FIG. 9 is an enlarged, partial perspective view of a portion of the fishing reel illustrated in FIG. 1 that includes the fishing reel portion; and,

FIG. 10 is an enlarged, partial perspective view of a portion of the fishing reel illustrated in FIG. 1 that includes the fishing reel portion.

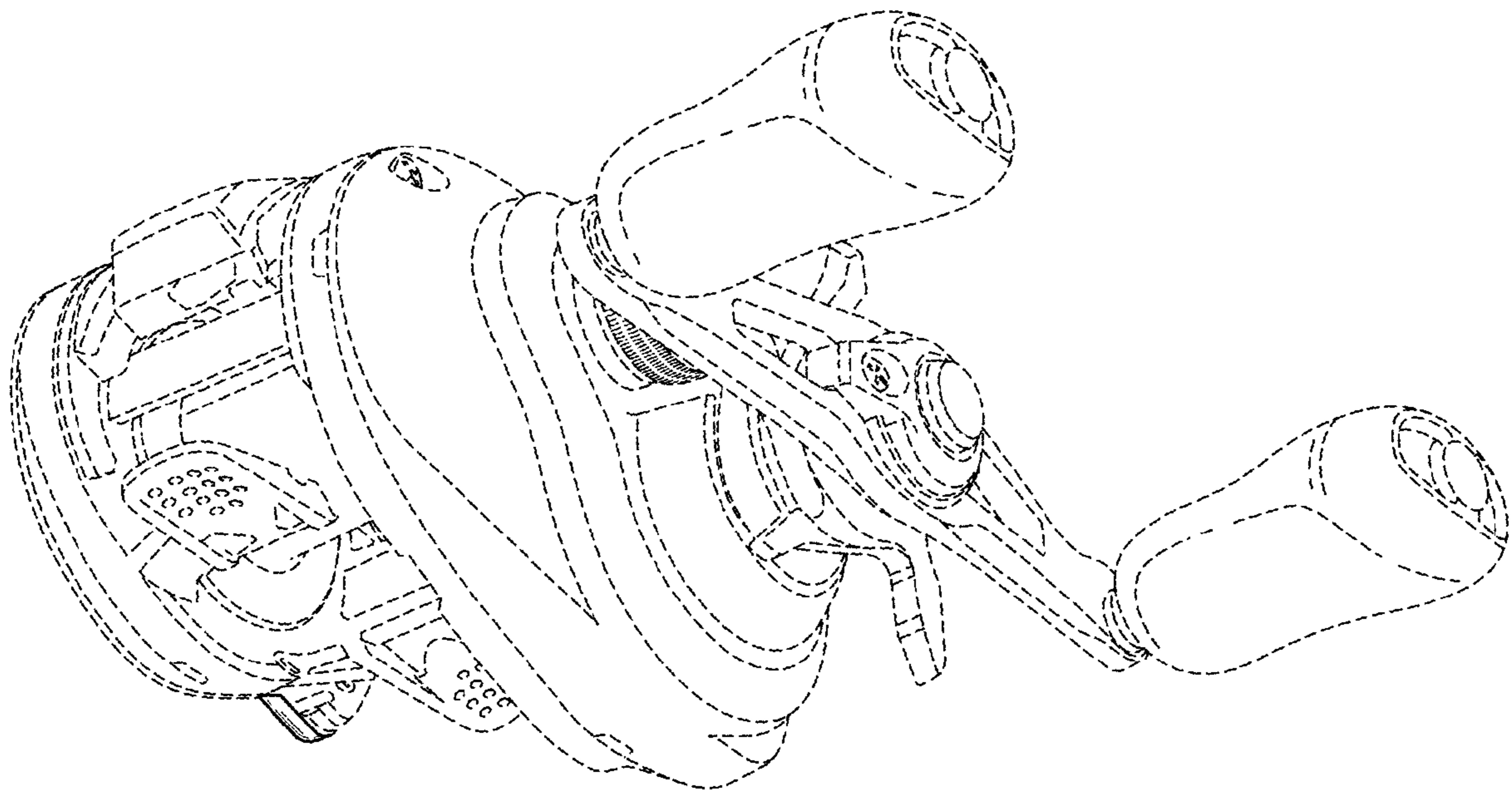
In the drawings, the broken line illustration of the environmental structure (the remaining structure of the fishing reel) in the drawings is not part of the claimed design. In other words, the broken line portion of the fishing reel does not form part of the claimed design.

**1 Claim, 6 Drawing Sheets**

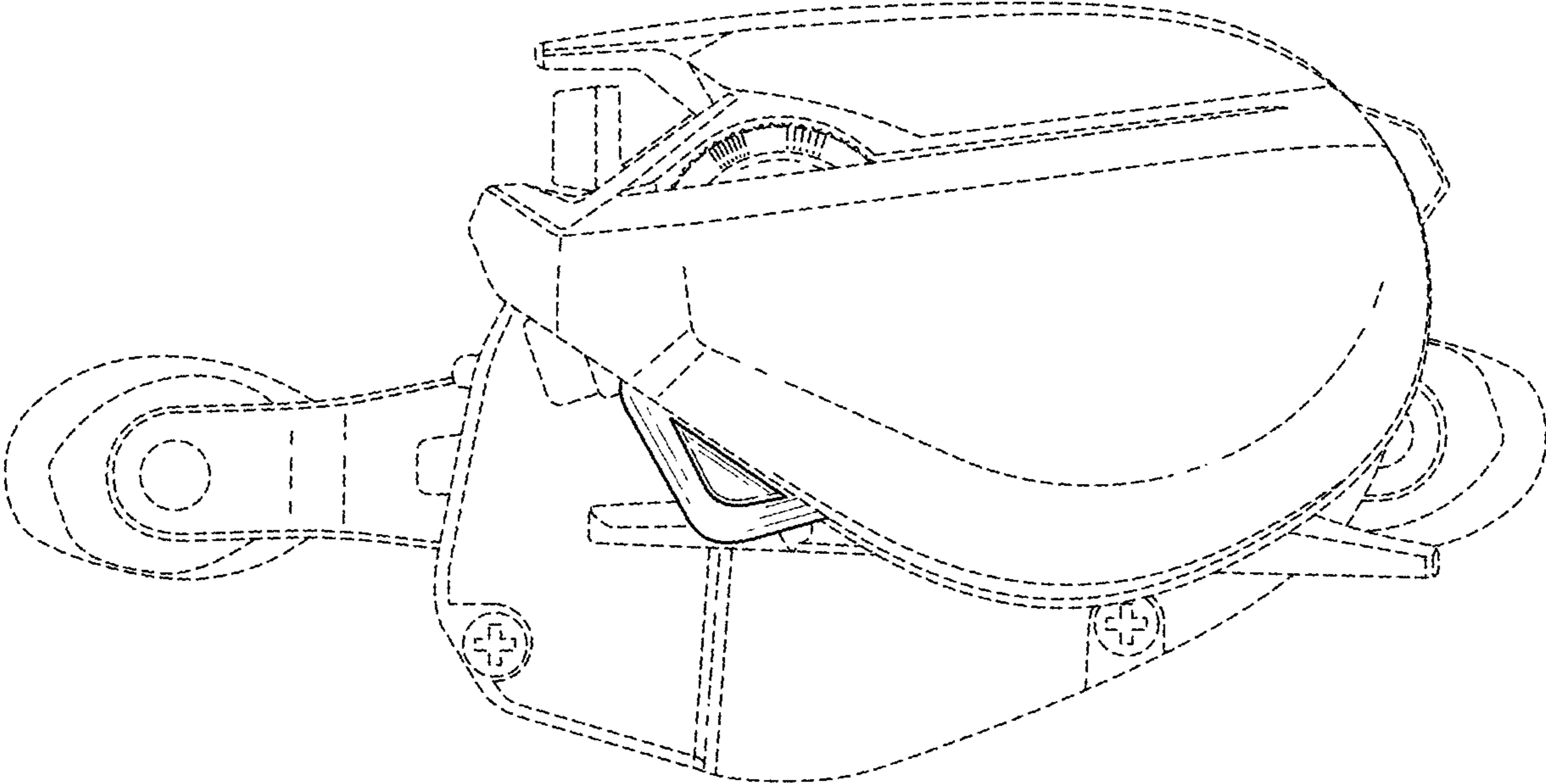




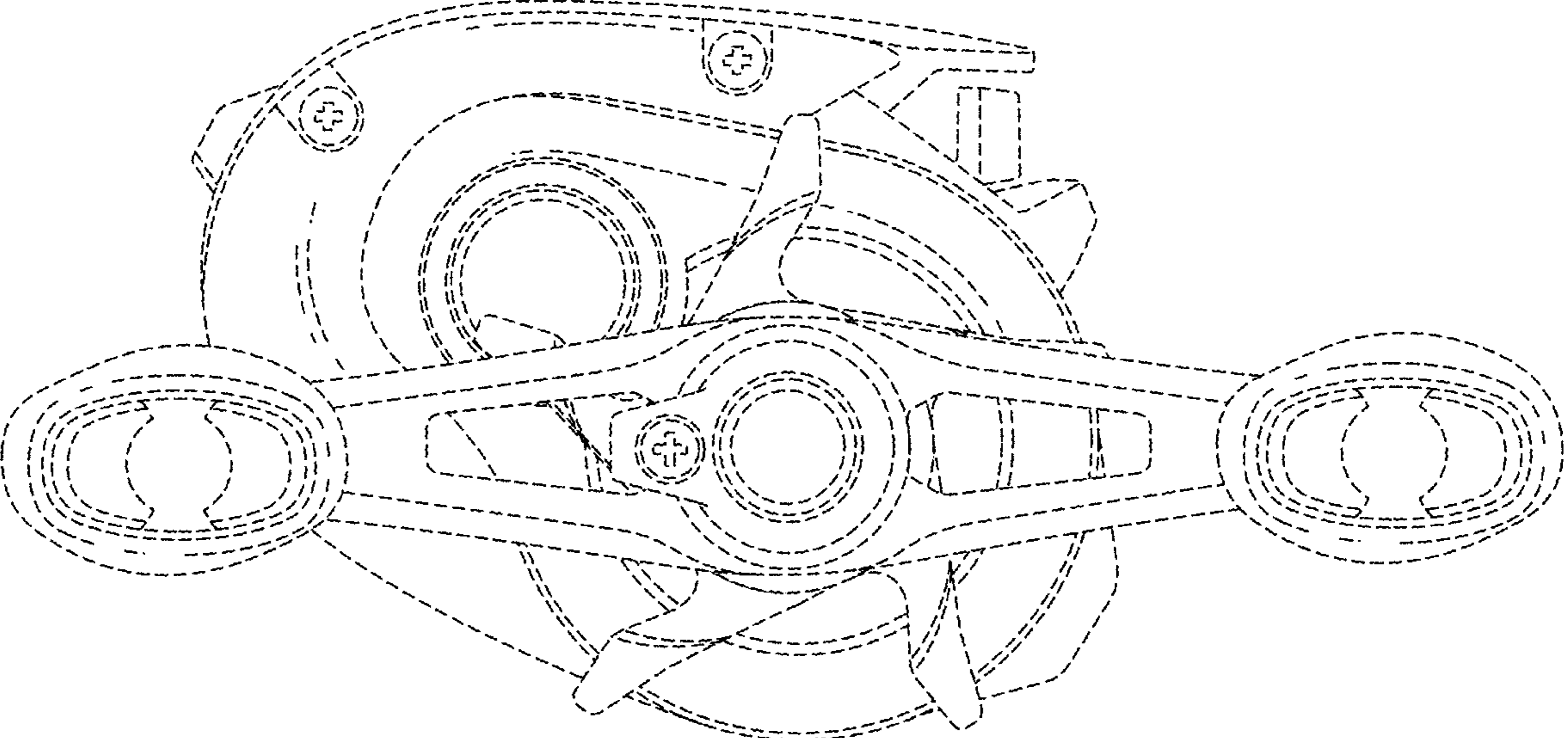
**FIG. 1**



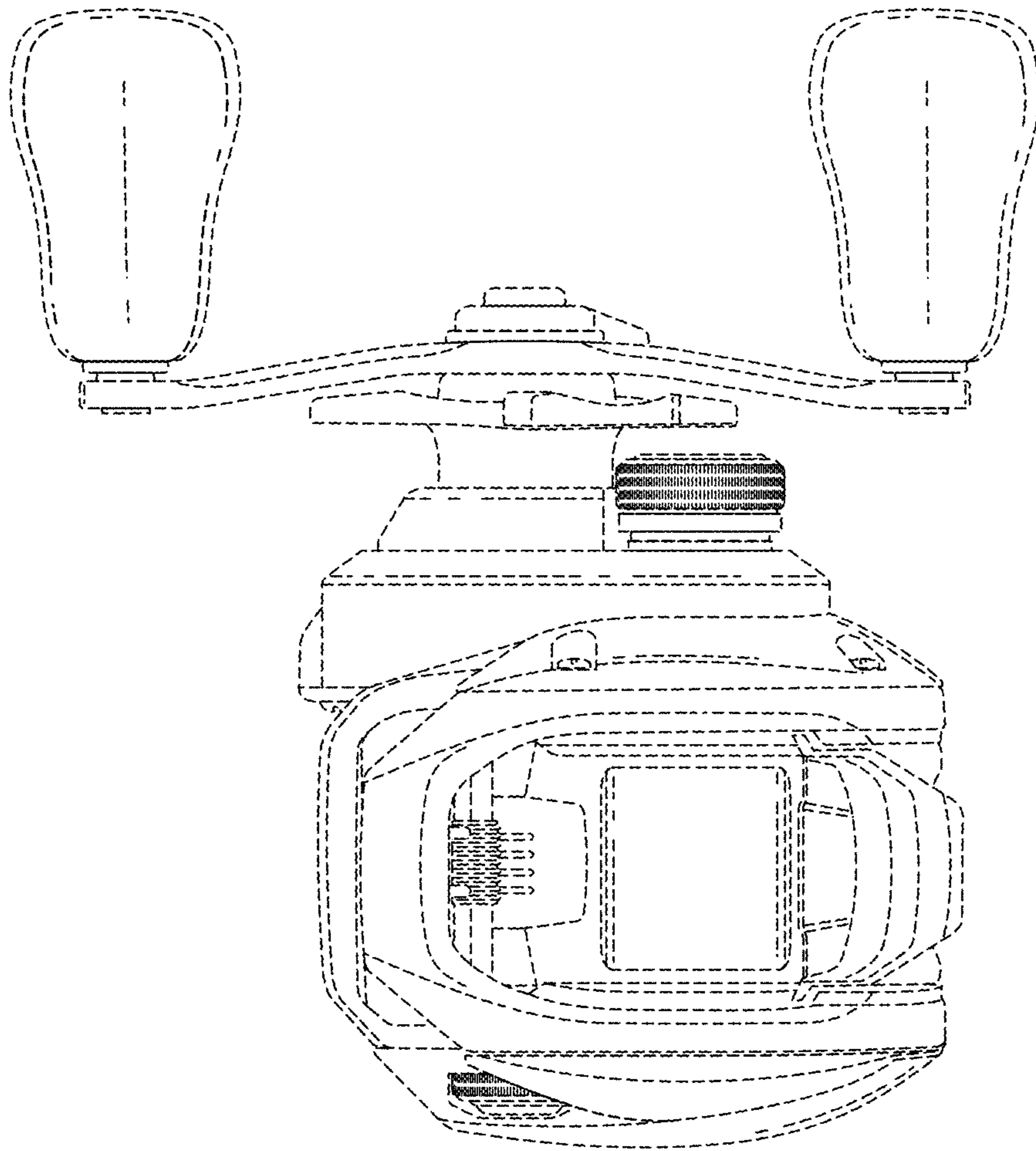
**FIG. 2**



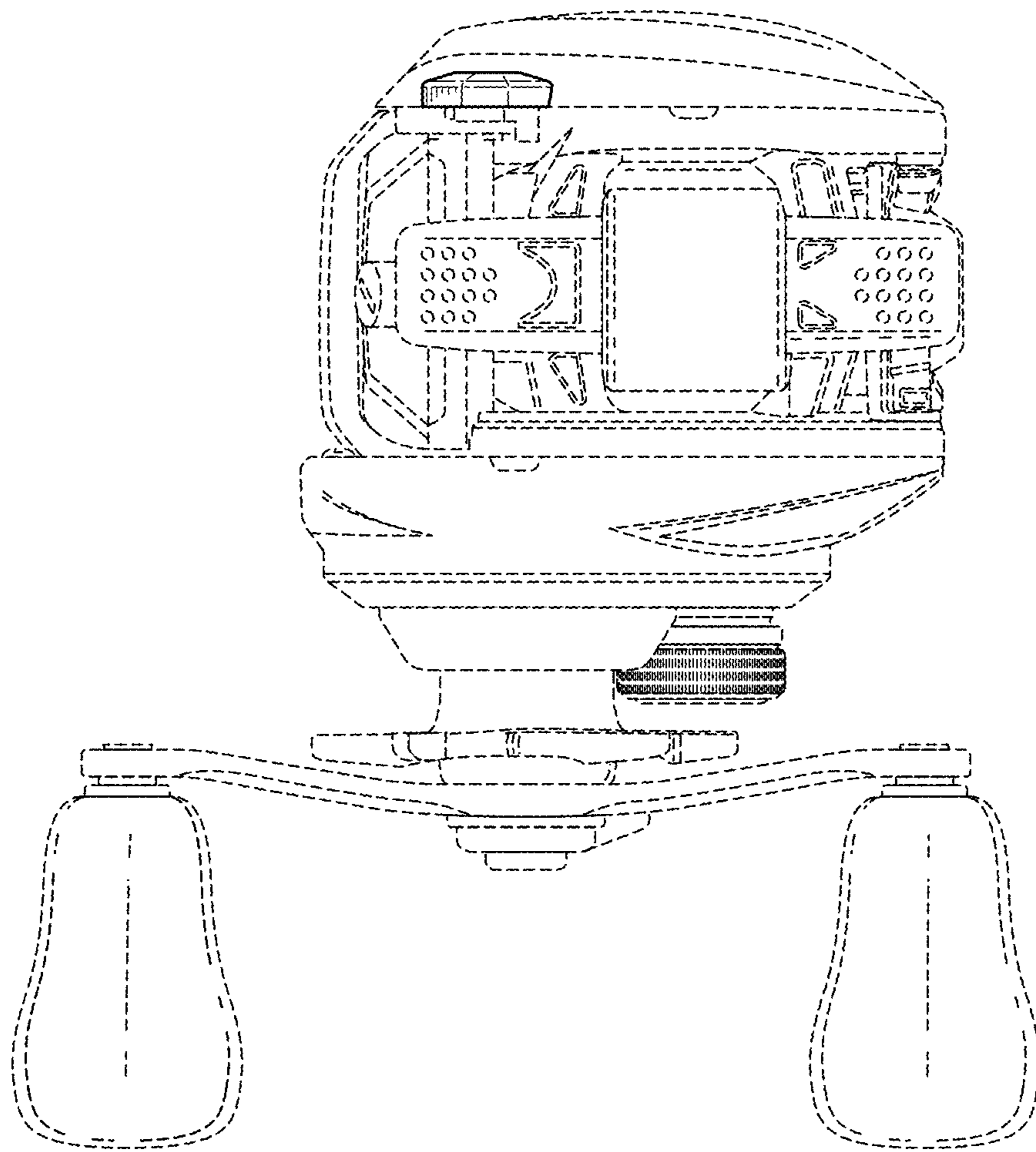
**FIG. 3**



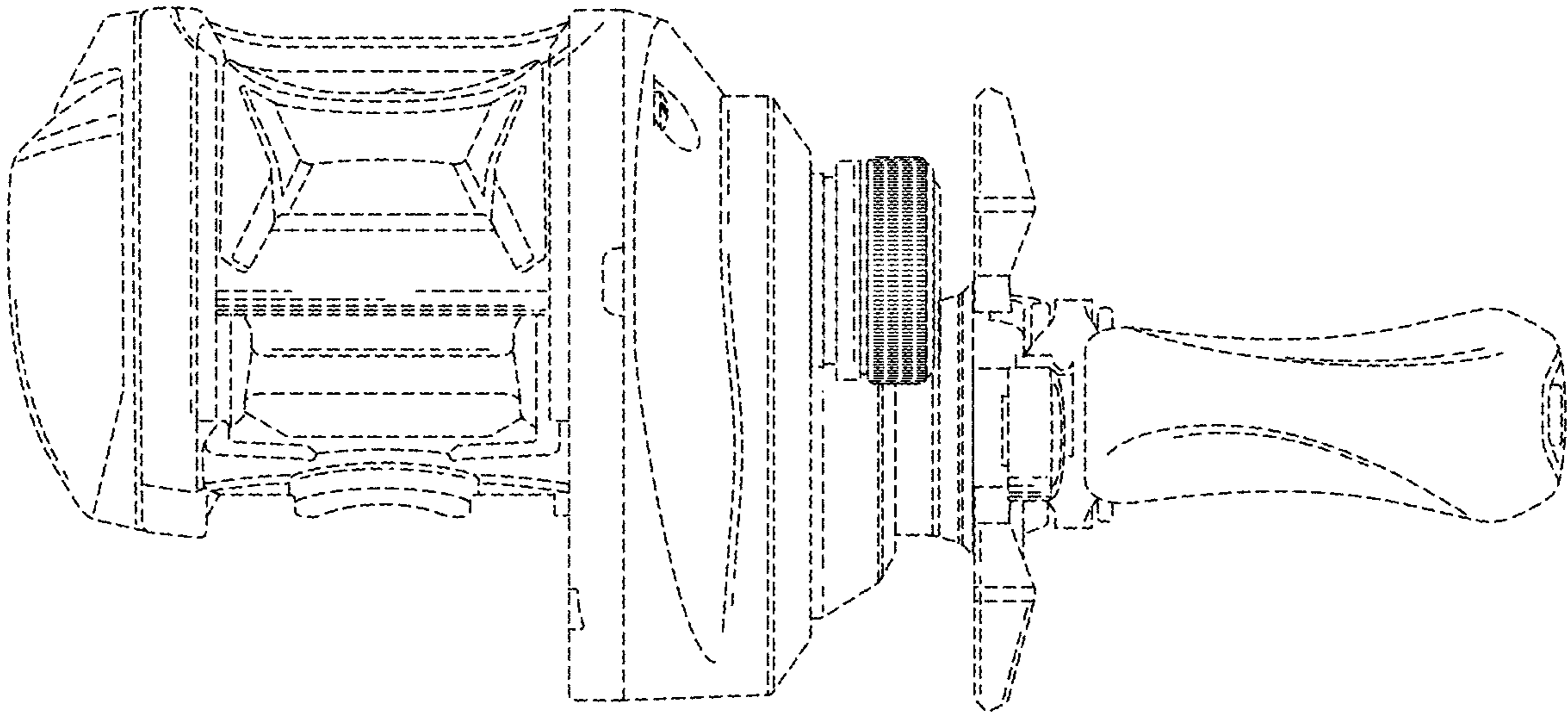
**FIG. 4**



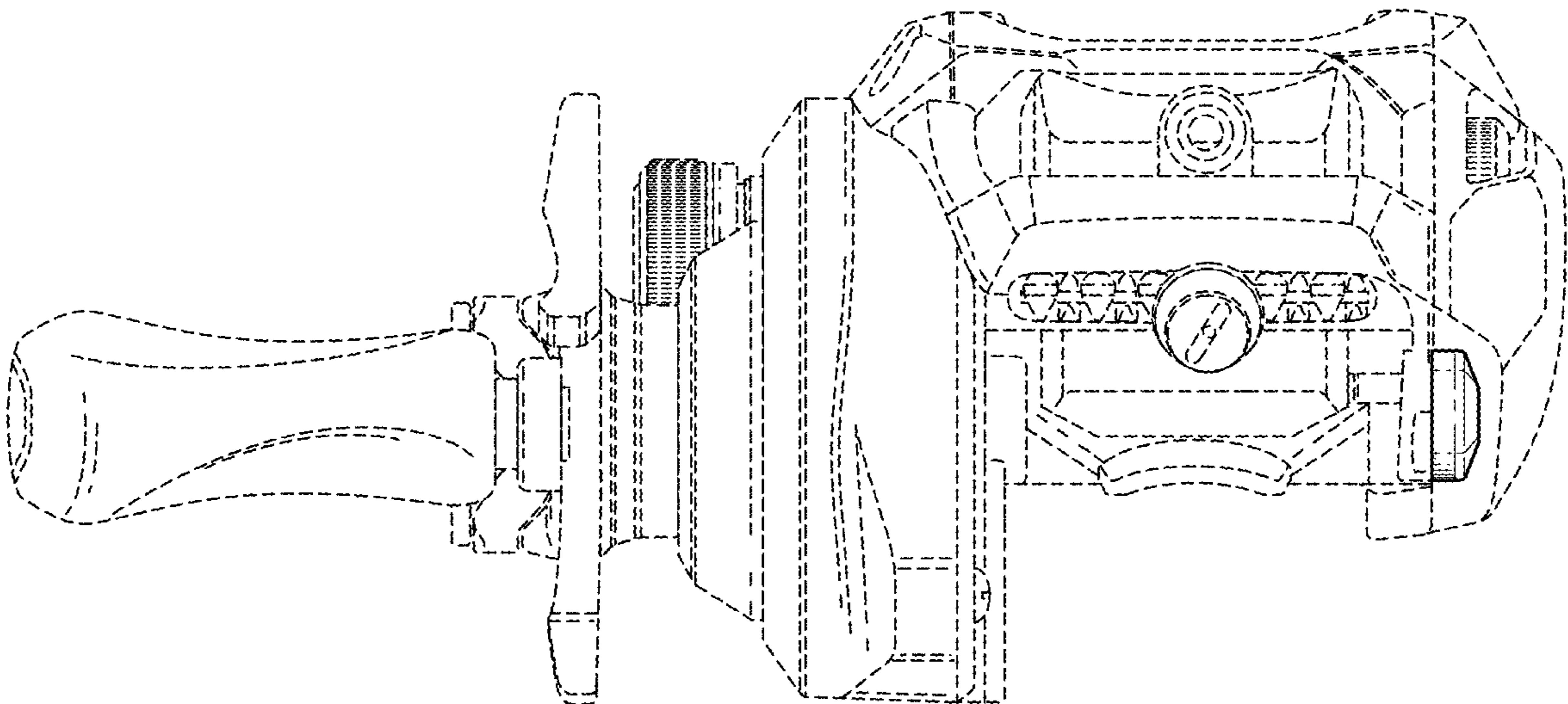
**FIG. 5**



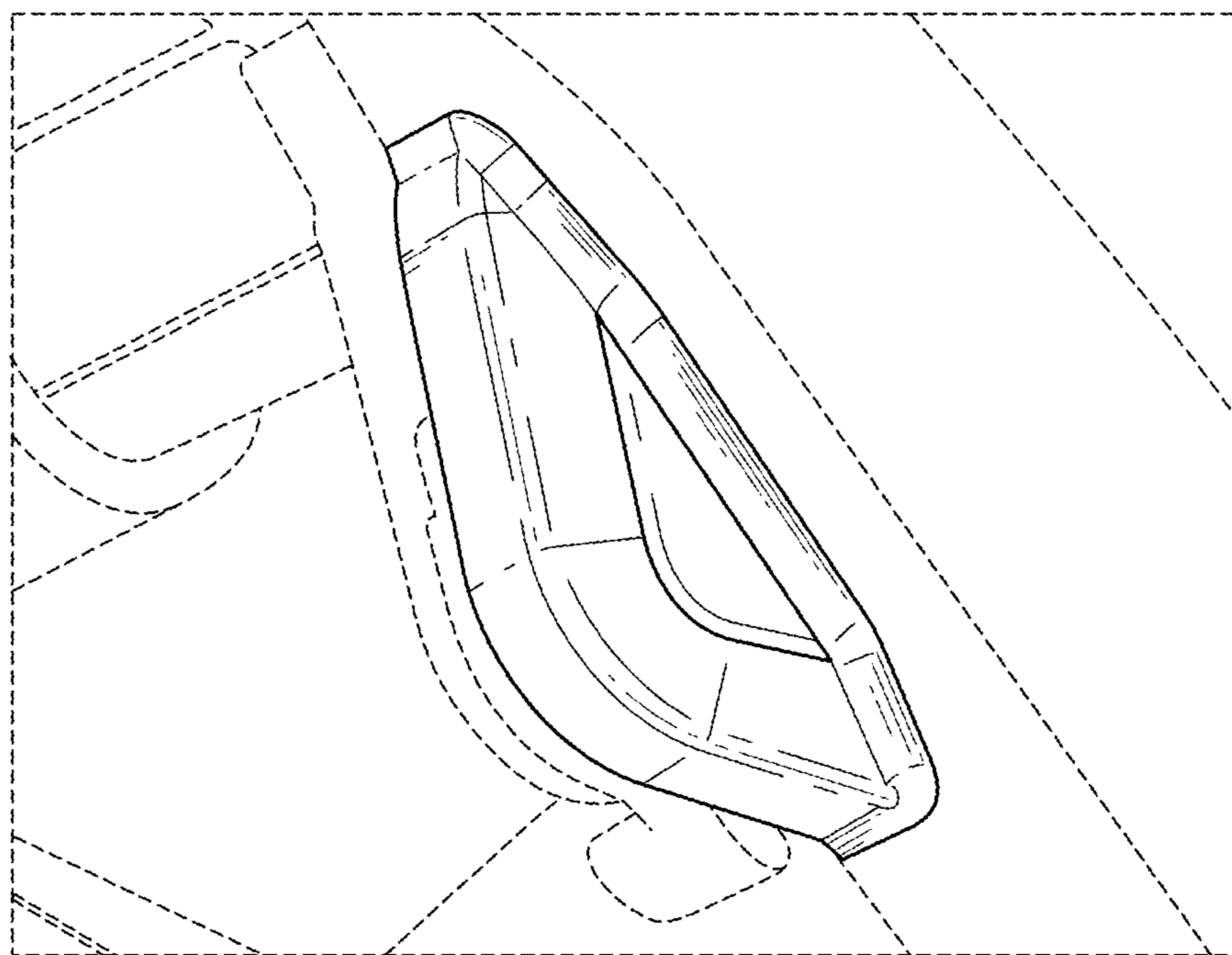
**FIG. 6**



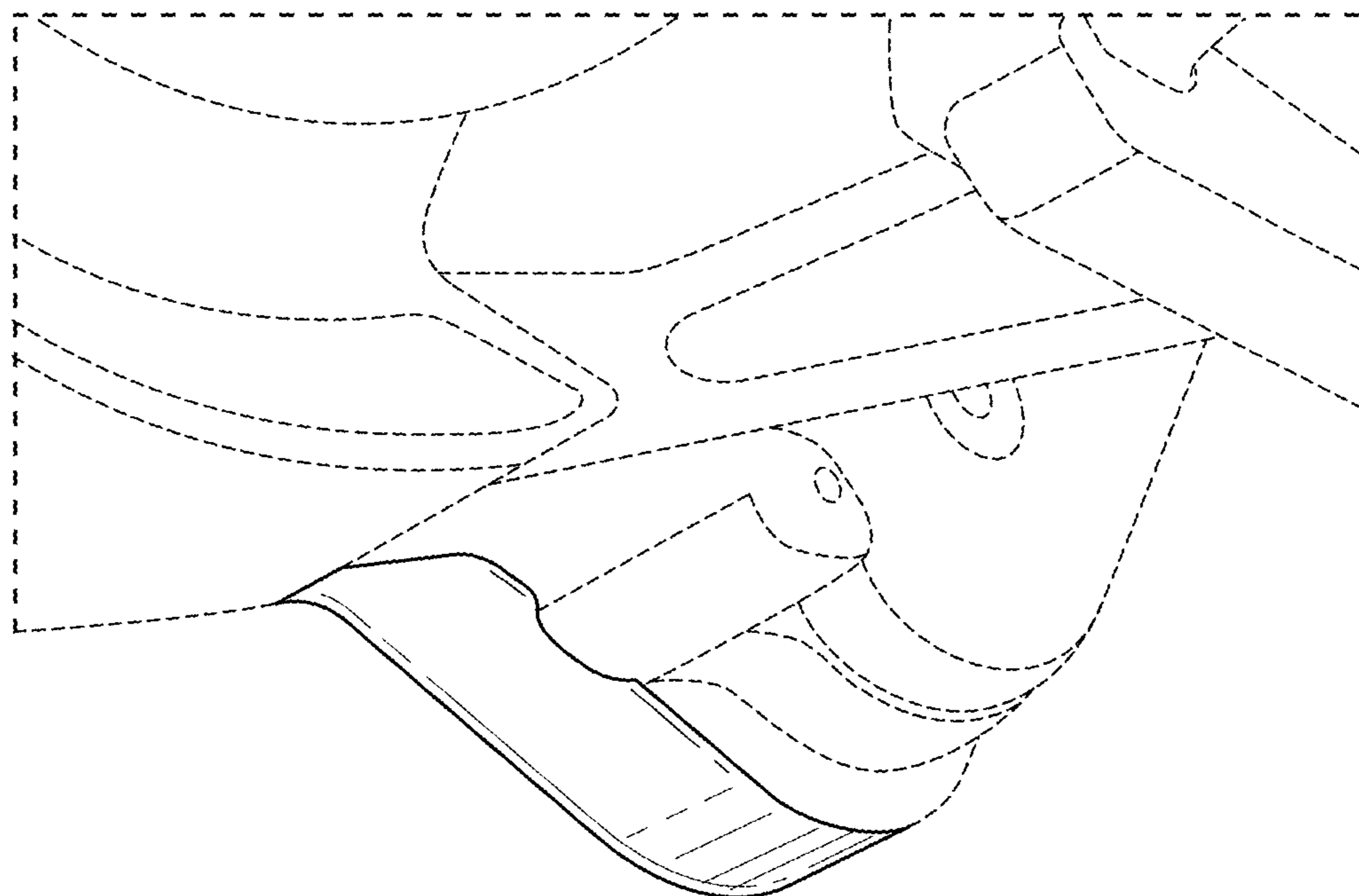
**FIG. 7**



**FIG. 8**



**FIG. 9**



**FIG. 10**