



US00D893664S

(12) **United States Design Patent** (10) **Patent No.:** **US D893,664 S**
Hu (45) **Date of Patent:** **** Aug. 18, 2020**

(54) **GUNSTOCK**

(71) Applicant: **Shih-Che Hu**, Tainan (TW)

(72) Inventor: **Shih-Che Hu**, Tainan (TW)

(**) Term: **15 Years**

(21) Appl. No.: **29/670,782**

(22) Filed: **Nov. 20, 2018**

(51) **LOC (12) Cl.** **22-01**

(52) **U.S. Cl.**
USPC **D22/111; D22/108**

(58) **Field of Classification Search**

USPC D22/100, 103, 104, 105, 108, 109, 110,
D22/111, 199; D21/567, 573, 574, 575
CPC F41C 23/04; F41C 23/08; F41C 23/16;
F41G 1/02; F41G 1/027; F41G 1/06;
F41A 17/46; F41A 19/11

See application file for complete search history.

(56) **References Cited**

U.S. PATENT DOCUMENTS

D607,078 S *	12/2009	Chu	D22/109
D620,546 S *	7/2010	Fitzpatrick	D22/111
D643,498 S *	8/2011	Burt	D22/111
D655,777 S *	3/2012	Burt	D22/108
D702,792 S *	4/2014	Burt	D22/103
D712,998 S *	9/2014	Gomez	D22/108
D714,413 S *	9/2014	Kerbrat	D22/104
D753,782 S *	4/2016	Vazquez	D22/108
9,541,347 B2 *	1/2017	Maugham	F41C 23/04
D792,550 S *	7/2017	Smith	D22/111
D795,982 S *	8/2017	Ottosen	D22/108
D810,225 S *	2/2018	Huang	D22/108
10,054,394 B2 *	8/2018	Jen	F41C 23/04
10,060,699 B1 *	8/2018	Hu	F41C 23/04
10,088,268 B2 *	10/2018	Hewes	F41C 23/14
D840,495 S *	2/2019	Kindig	D22/111
D847,933 S *	5/2019	Windfeldt	D22/108
2016/0116249 A1 *	4/2016	Maugham	F41C 23/04 42/74
2016/0305738 A1 *	10/2016	Huang	F41C 23/04
2017/0241737 A1 *	8/2017	Keller, II	F41C 23/14

OTHER PUBLICATIONS

“Sig Sauer MPX / MCX Collapsible Stock, Black”. [online] midwestgunworks.com [retrieved on Nov. 4, 2019]. Retrieved from the Internet: <https://www.midwestgunworks.com/page/mgwi/prod/STOCK-X-COLLAPS-BLK>.*

“HK MP5 / HK94 Collapsible Stock”. [online] gunpartscorp.com [retrieved on Nov. 4, 2019]. Retrieved from the Internet: <https://www.gunpartscorp.com/products/1086890>.*

“HK 93 & HK 33 A3 Retractable Stock Black German”. [online] guntechtexas.com [retrieved on Nov. 4, 2019]. Retrieved from the Internet: <https://guntechtexas.com/product/hk-93-33-stock/>.*

* cited by examiner

Primary Examiner — Khawaja Anwar

Assistant Examiner — Mojtaba Tehrani

(74) *Attorney, Agent, or Firm* — Raymond Y. Chan;
David and Raymond Patent Firm

(57) **CLAIM**

The ornamental design for a gunstock, as shown and described.

DESCRIPTION

FIG. 1 is a front perspective view of gunstock showing my new design;

FIG. 2 is a front view thereof;

FIG. 3 is a rear view thereof;

FIG. 4 is a left end view thereof;

FIG. 5 is a right end view thereof;

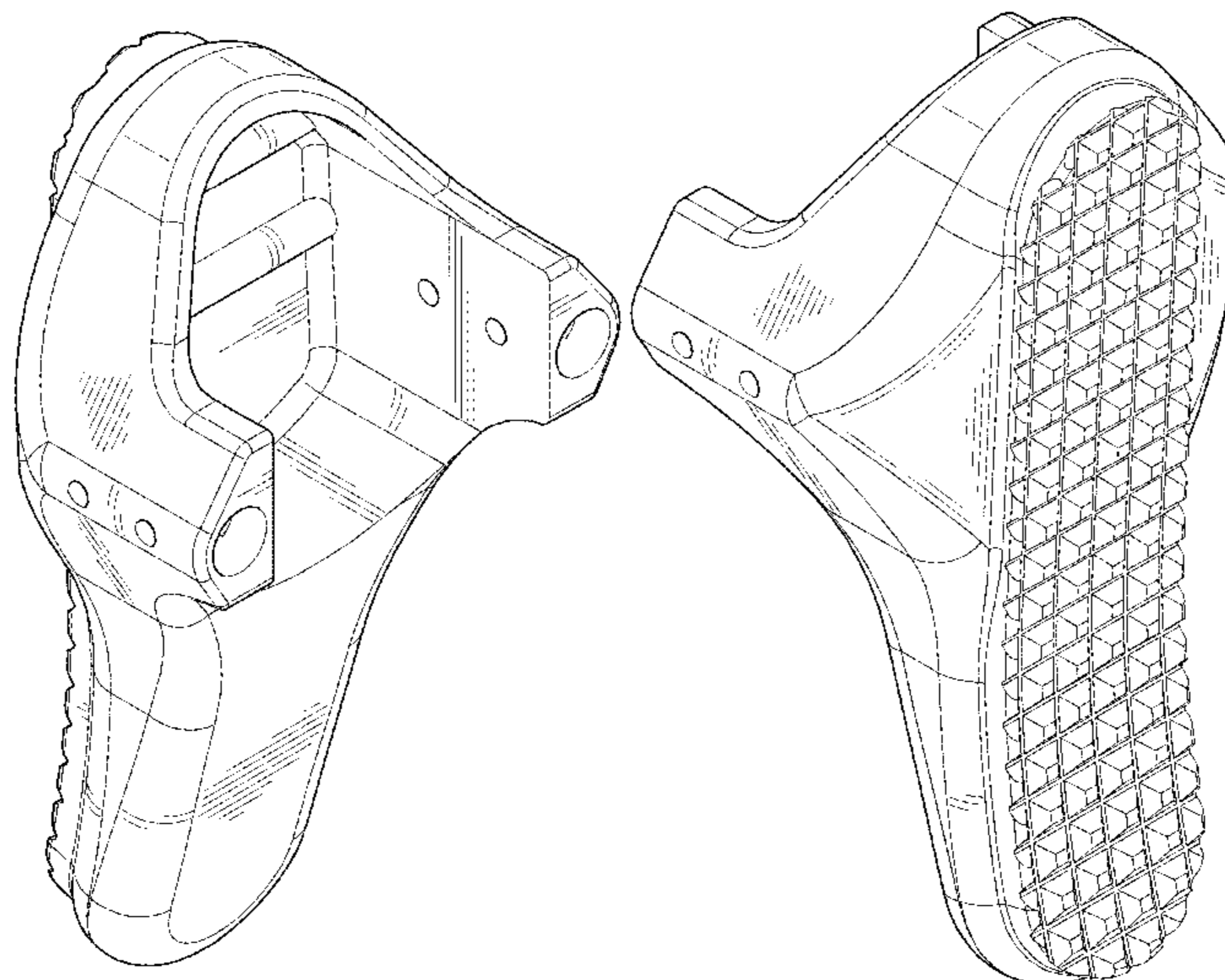
FIG. 6 is a top view thereof;

FIG. 7 is a bottom view thereof; and,

FIG. 8 is a rear perspective view thereof.

The broken line in the drawings depicts unclaimed portion of the gunstock only and forms no part of the claimed design.

1 Claim, 6 Drawing Sheets



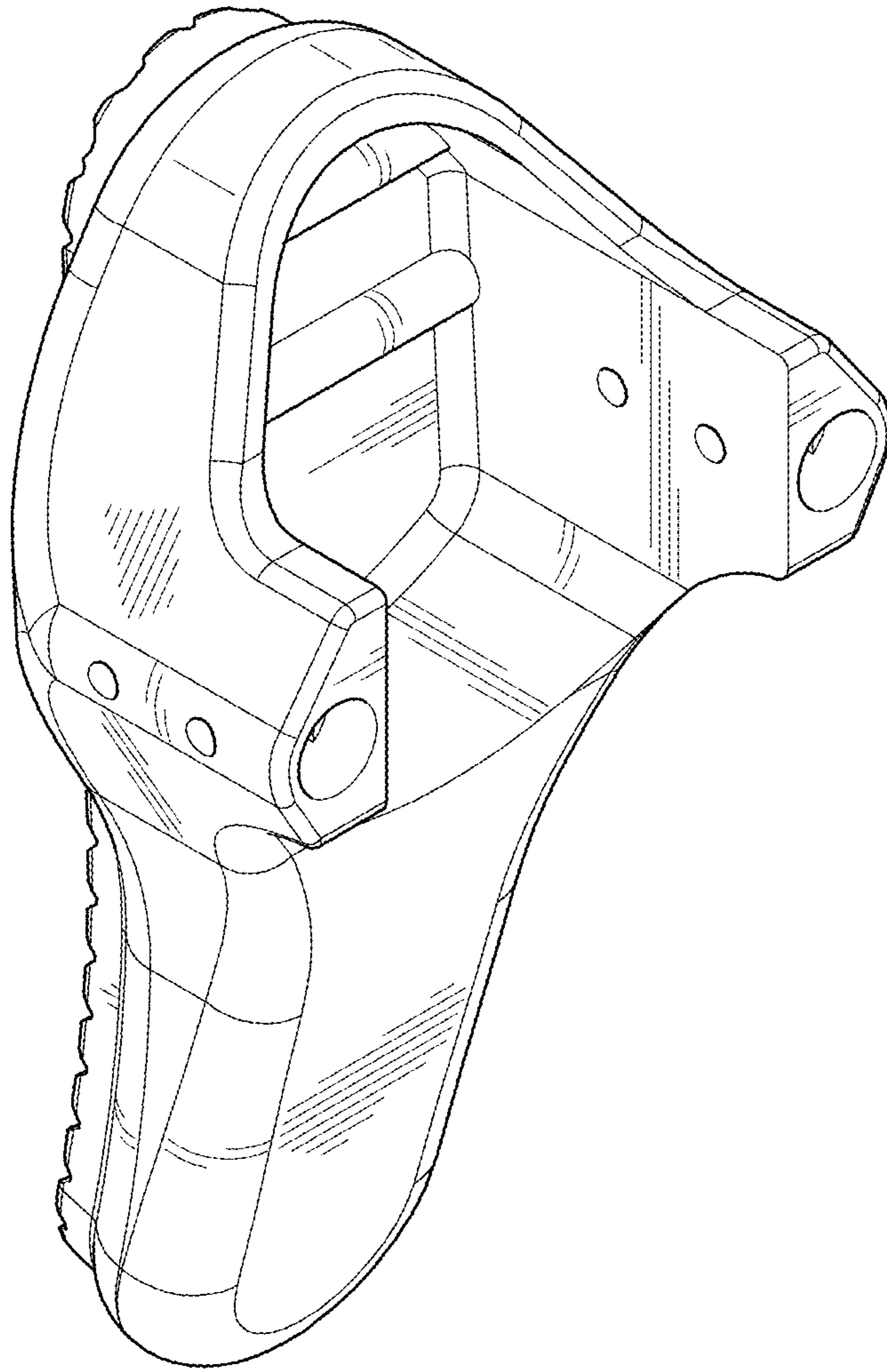


FIG. 1

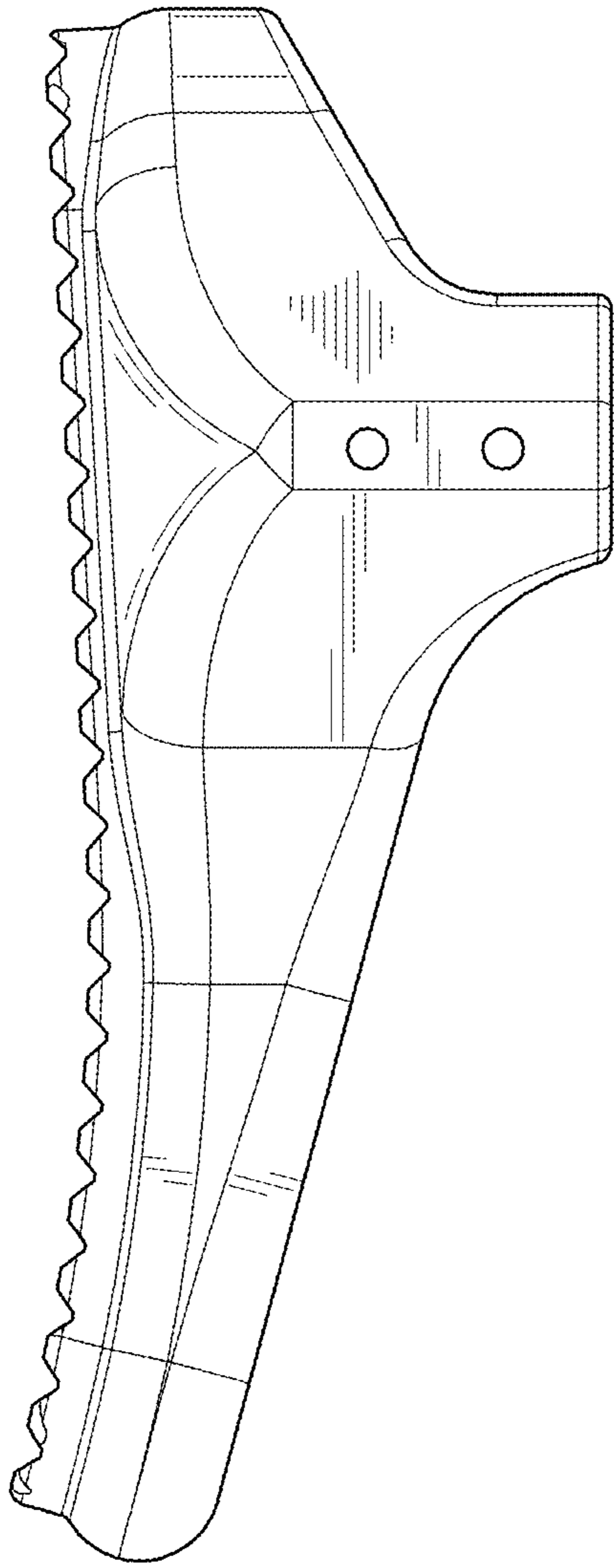


FIG. 2

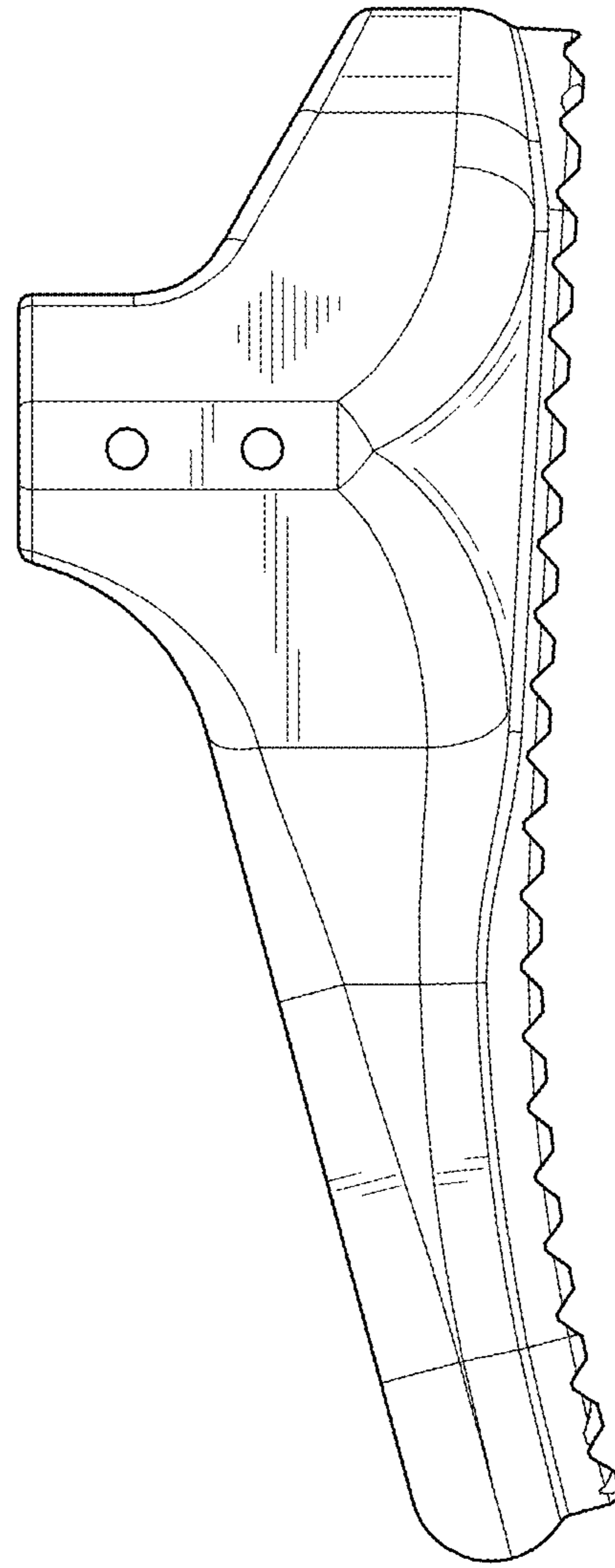


FIG. 3

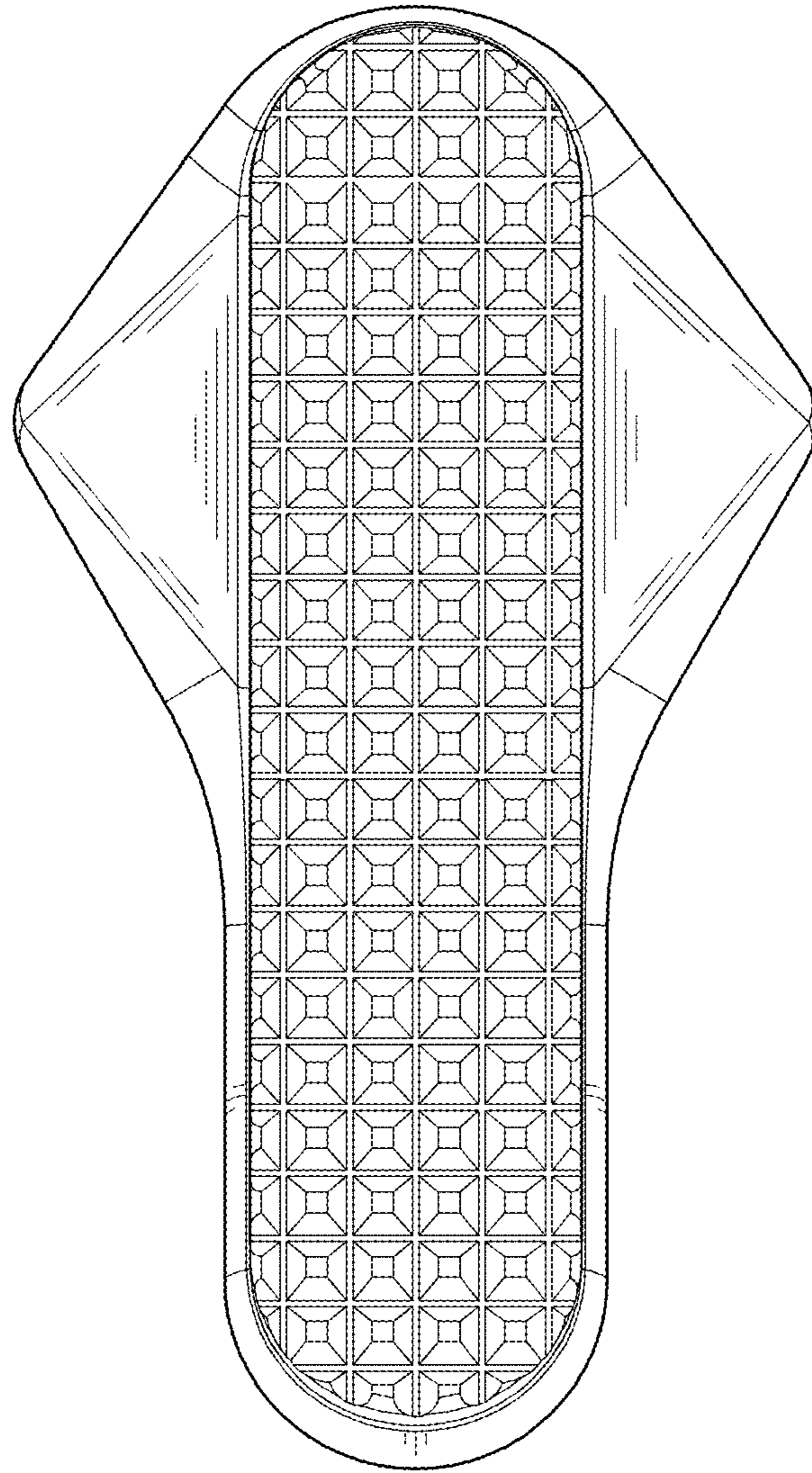


FIG. 4

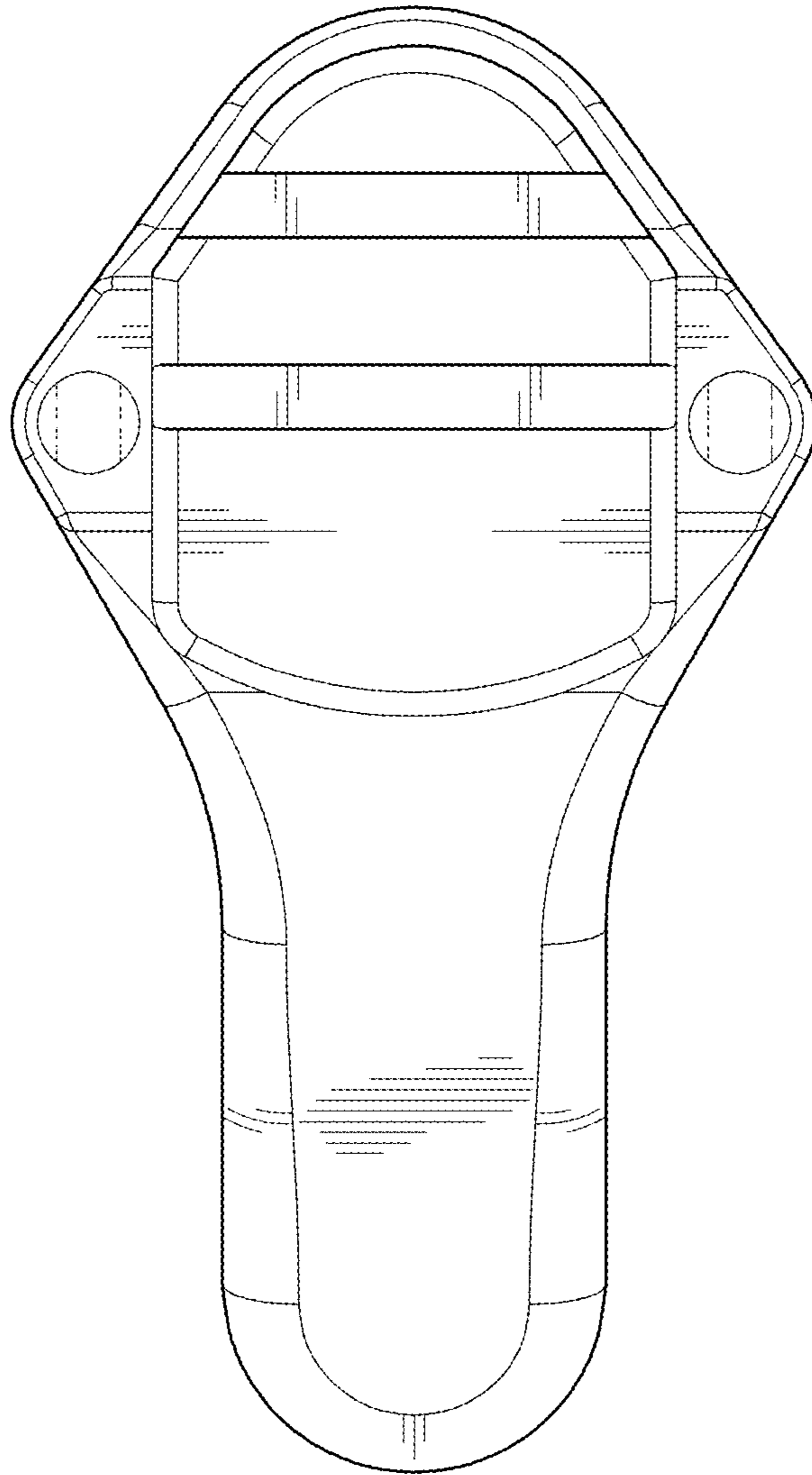


FIG. 5

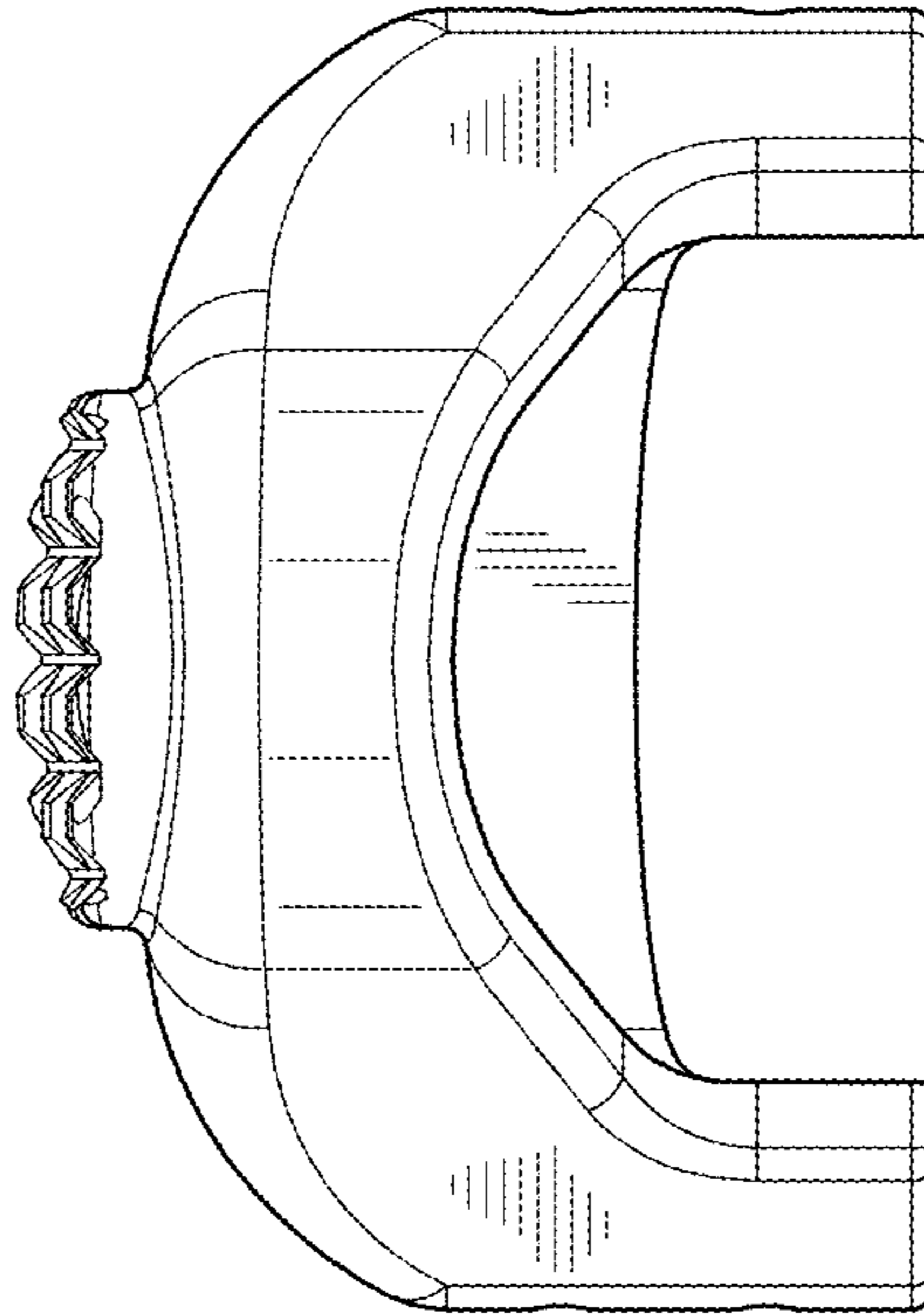


FIG. 6

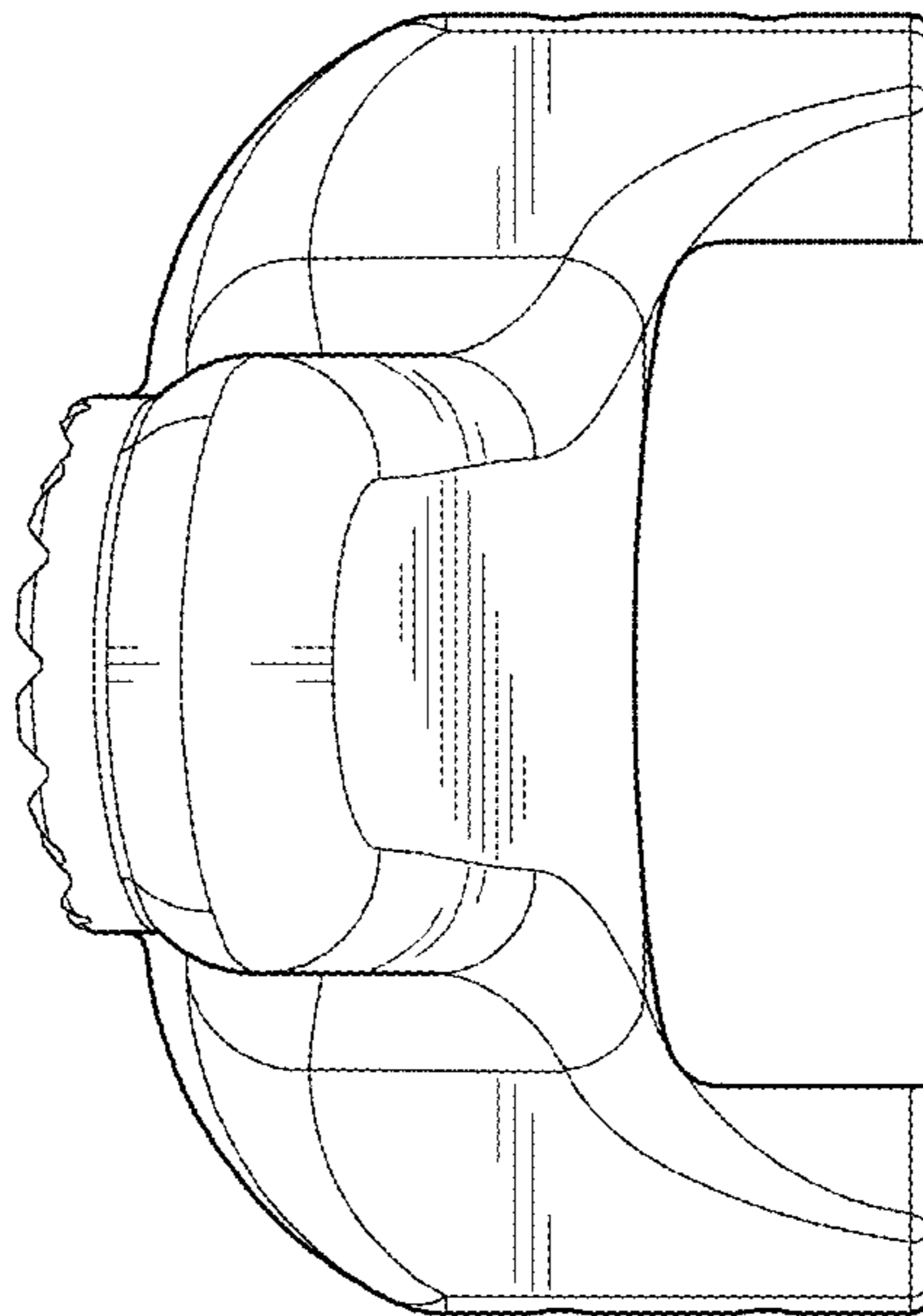


FIG. 7

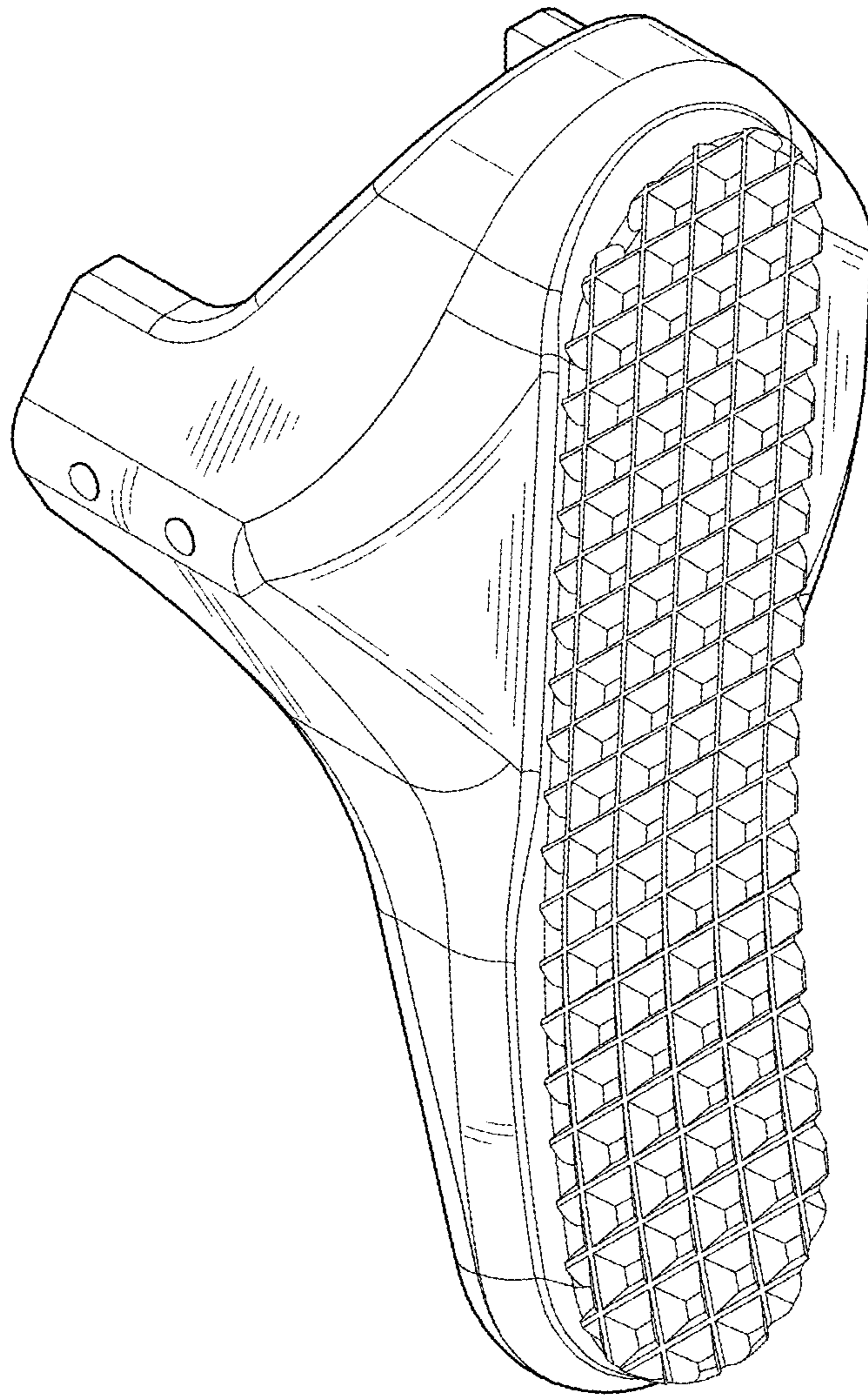


FIG. 8