



US00D893662S

(12) **United States Design Patent** (10) **Patent No.:** **US D893,662 S**
Shi (45) **Date of Patent:** **** Aug. 18, 2020**

(54) **FIREARM CHARGING HANDLE**
(71) Applicant: **All Pro Sporting Goods, Inc.**, Chino Hills, CA (US)
(72) Inventor: **Chuanwen Shi**, Walnut, CA (US)
(**) Term: **15 Years**
(21) Appl. No.: **29/688,692**
(22) Filed: **Apr. 23, 2019**
(51) **LOC (12) Cl.** **22-01**
(52) **U.S. Cl.**
USPC **D22/108**
(58) **Field of Classification Search**
USPC D22/108
CPC F41A 3/72; F41A 3/66; F41A 3/42
See application file for complete search history.

(56) **References Cited**
U.S. PATENT DOCUMENTS
1,781,816 A * 11/1930 Jovino F42B 39/02
224/223
2,215,726 A * 9/1940 Masterton-Smith F41A 9/85
42/89
2,889,974 A * 6/1959 Sauvago F42B 39/26
206/3
3,702,671 A * 11/1972 Leclere F42B 39/02
224/242
4,773,576 A * 9/1988 Moravek F41C 23/22
224/191
4,860,478 A * 8/1989 Clayton F42B 39/02
42/71.01

D705,383 S * 5/2014 Montes D22/108
D705,384 S 5/2014 Underwood
D726,860 S 4/2015 Underwood
D738,452 S 9/2015 Underwood
D749,687 S 2/2016 Warensford
D757,877 S * 5/2016 Huang D22/108
D762,804 S * 8/2016 Gardner D22/108
D775,304 S * 12/2016 Jen D22/108
2012/0006188 A1 * 1/2012 Kincl F41A 3/72
89/1.4
2012/0291612 A1 * 11/2012 Kincl F41A 3/72
89/1.4
2014/0318356 A1 * 10/2014 Cupps F41A 3/72
89/1.4
2018/0202732 A1 * 7/2018 Gibbens F41A 3/66

* cited by examiner

Primary Examiner — Michael A. Pratt

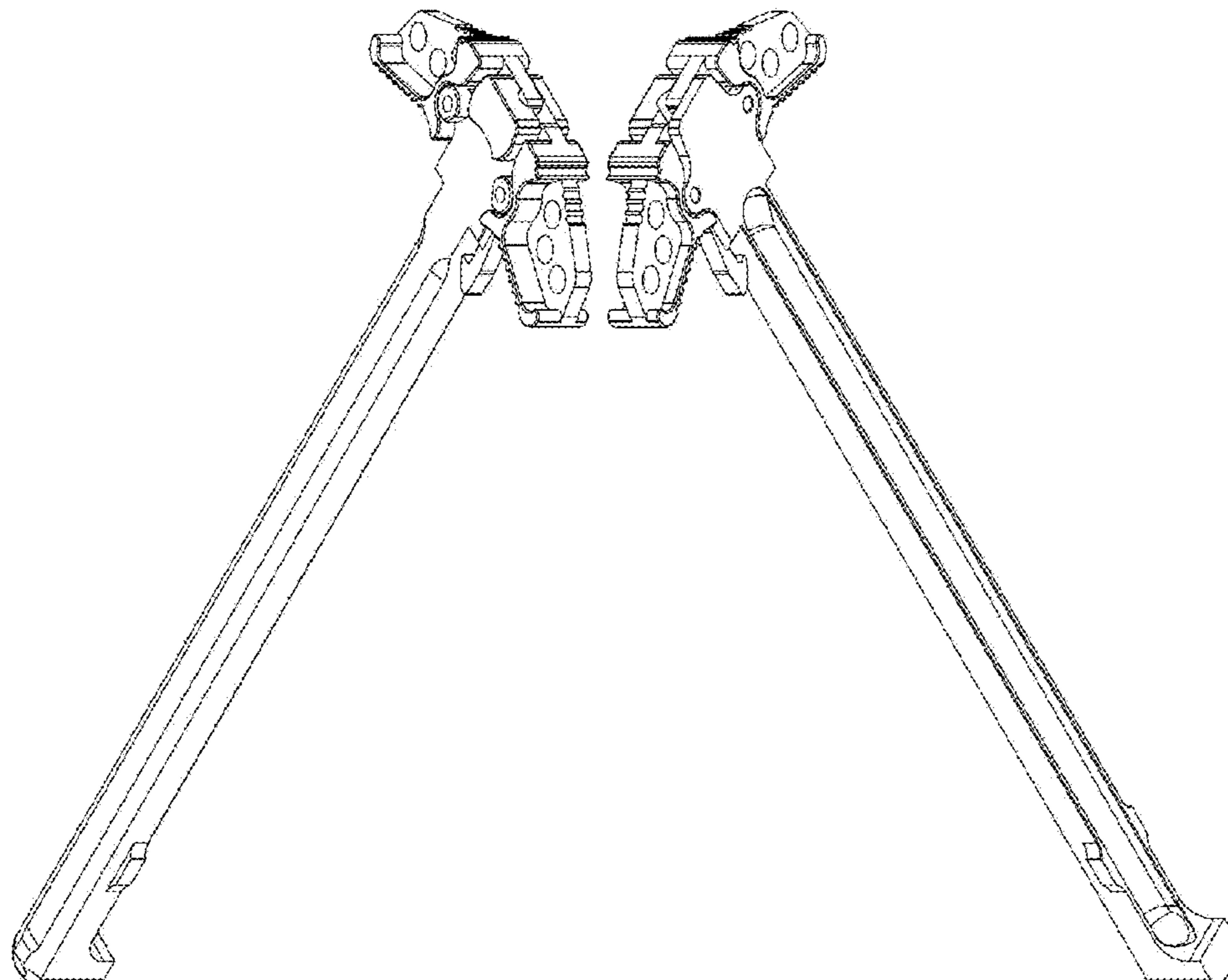
(57) **CLAIM**

I claim the ornamental design for a firearm charging handle, as shown and described.

DESCRIPTION

FIG. 1 is a front-side perspective view of the charging handle.
FIG. 2 is a back-side perspective view thereof.
FIG. 3 is a front view thereof.
FIG. 4 is a back view thereof.
FIG. 5 is a left side view thereof.
FIG. 6 is a right side view thereof.
FIG. 7 is a top view thereof; and,
FIG. 8 is a bottom view thereof.

1 Claim, 7 Drawing Sheets



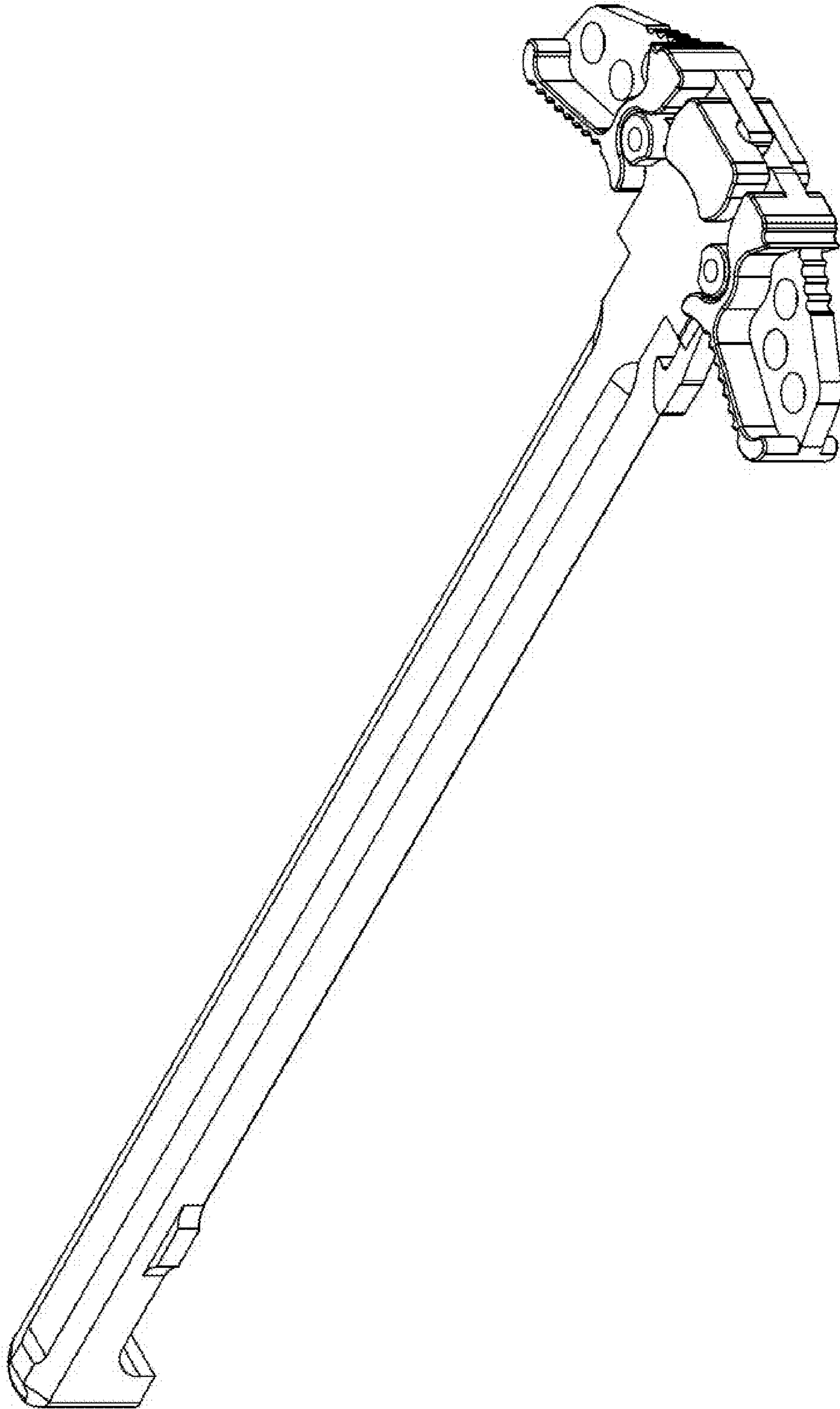


FIG. 1

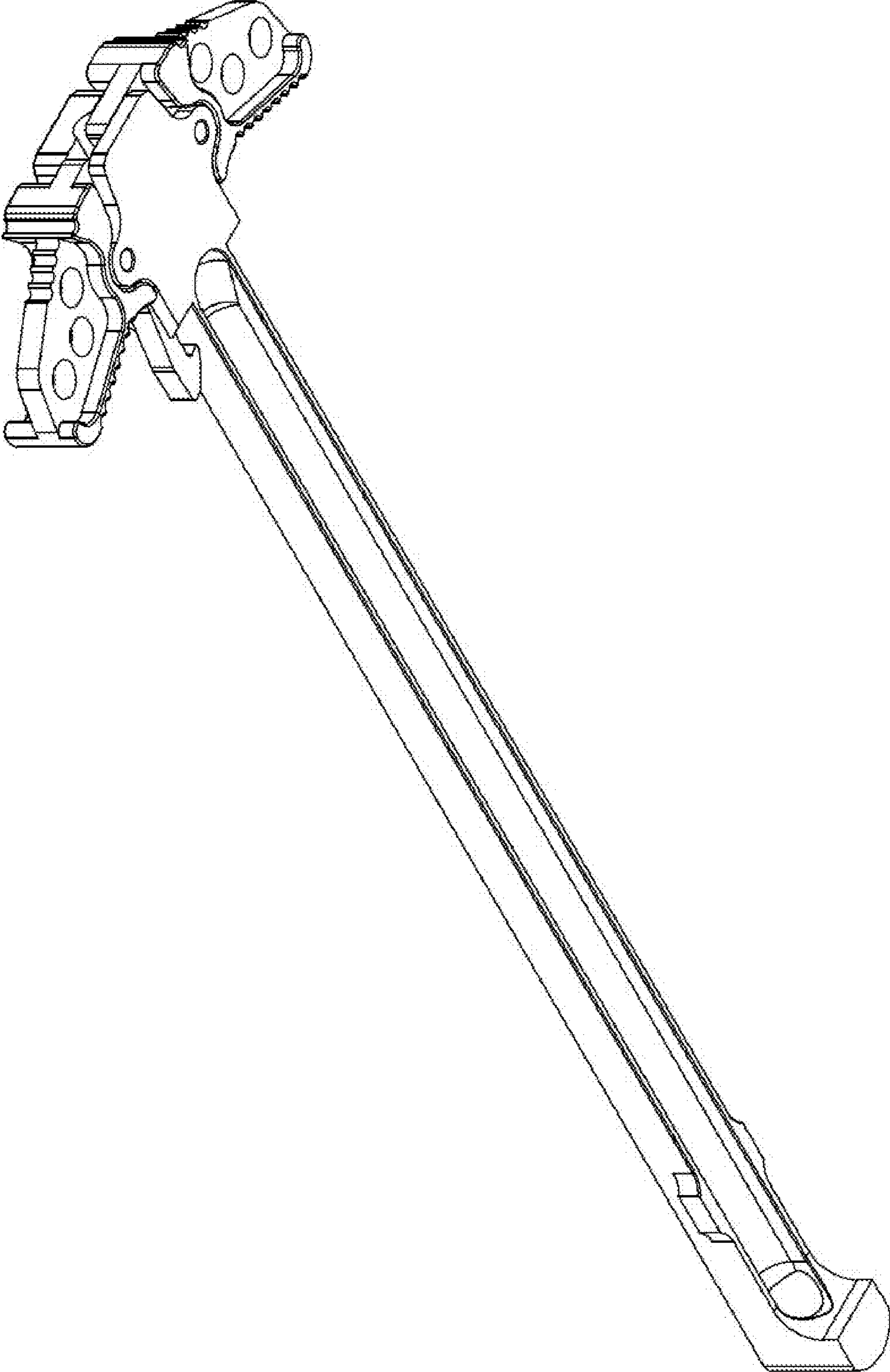


FIG. 2

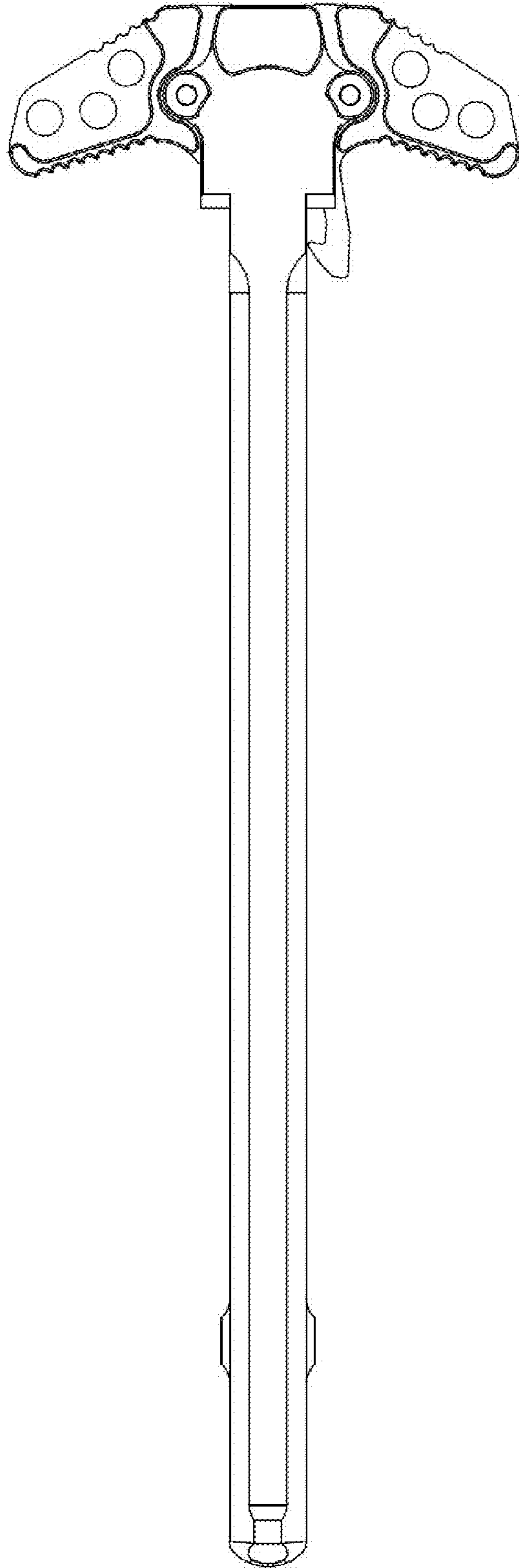


FIG. 3

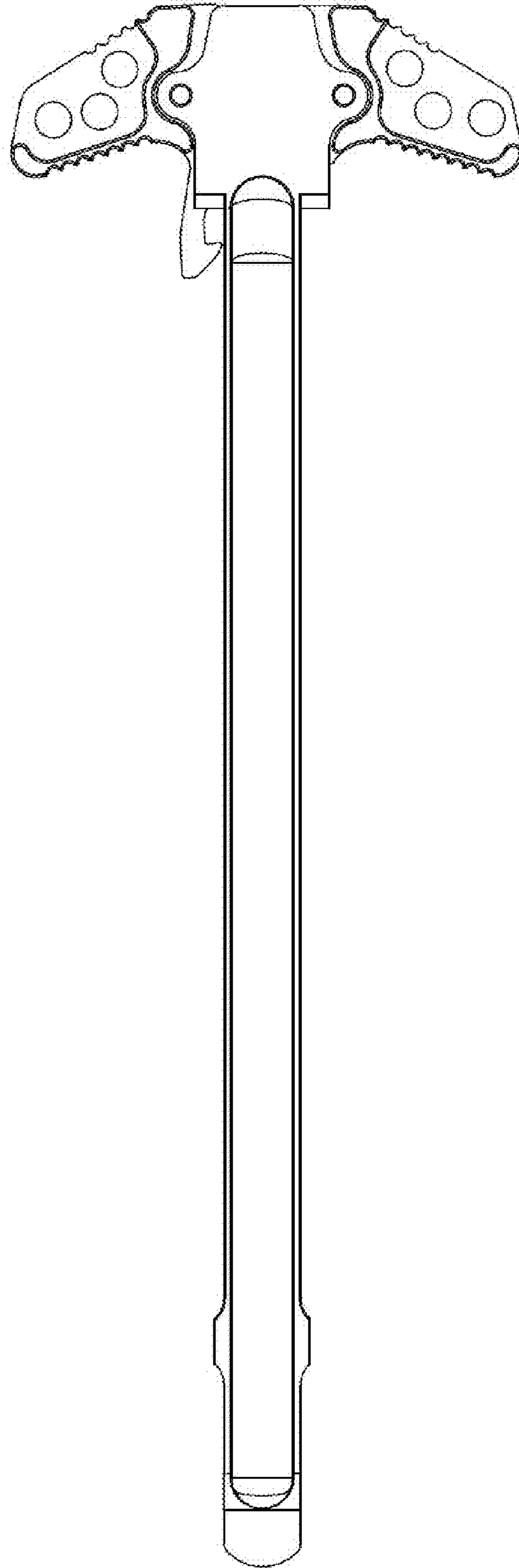


FIG. 4

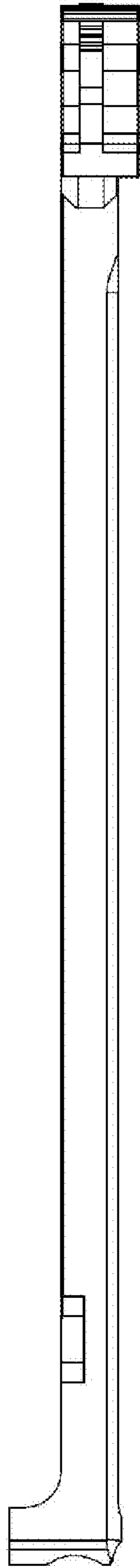


FIG. 5

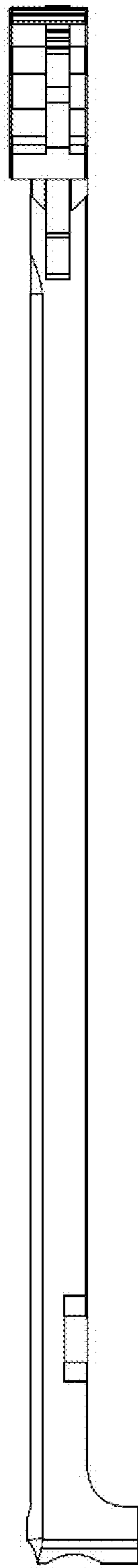


FIG. 6

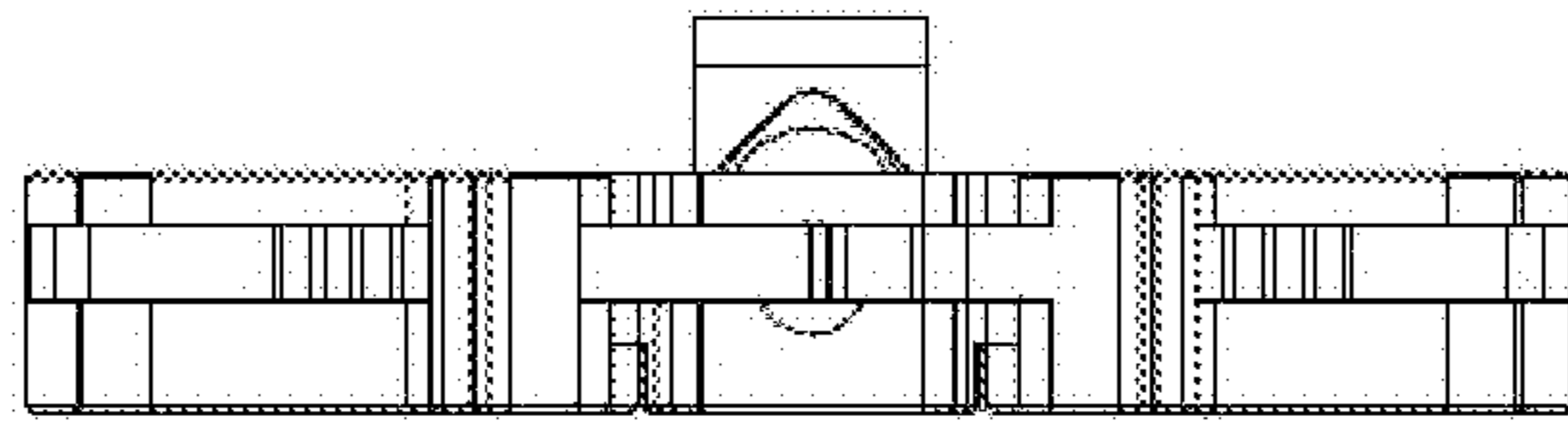


FIG. 7

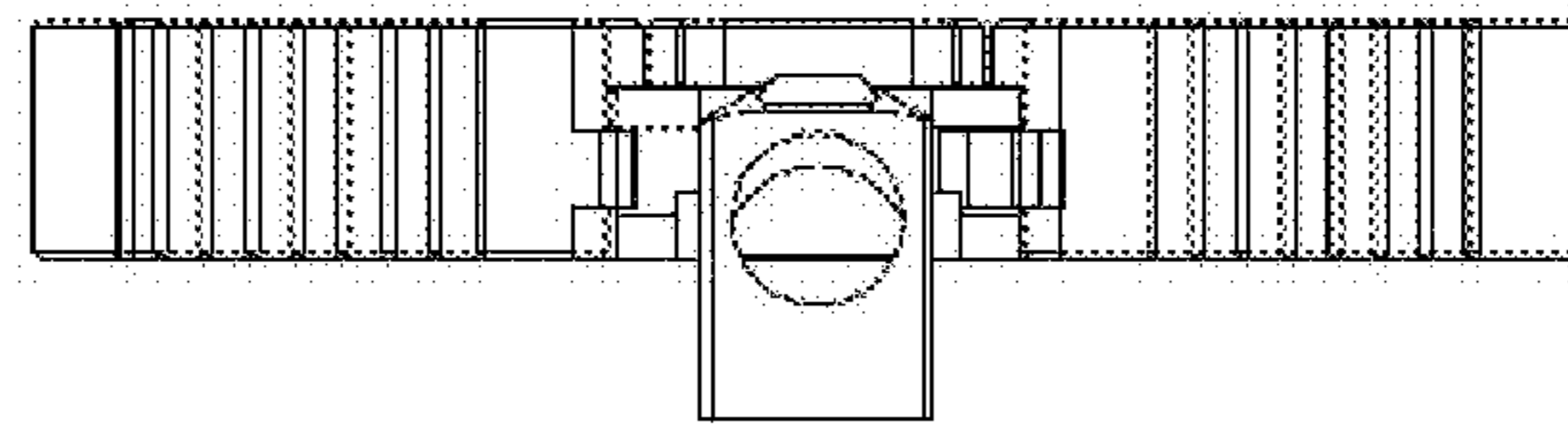


FIG. 8