



US00D893661S

(12) **United States Design Patent**
Cahill et al.

(10) **Patent No.:** **US D893,661 S**

(45) **Date of Patent:** **** Aug. 18, 2020**

(54) **FIREARM MAGAZINE**

(71) Applicants: **Jeffrey Matthew Cahill**, Tucson, AZ
(US); **Daniel Michel**, Diamond Bar, CA
(US)

(72) Inventors: **Jeffrey Matthew Cahill**, Tucson, AZ
(US); **Daniel Michel**, Diamond Bar, CA
(US)

(73) Assignee: **TangoDown, Inc.**, Tucson, AZ (US)

(**) Term: **15 Years**

(21) Appl. No.: **29/682,348**

(22) Filed: **Mar. 4, 2019**

(51) **LOC (12) Cl.** **22-01**

(52) **U.S. Cl.**
USPC **D22/108**

(58) **Field of Classification Search**
USPC D22/108; D21/572–575
CPC F41A 9/70; F41A 9/65; F41A 9/71; F41A
9/68; F41A 9/69; F41A 11/02; F41A
9/61; F41A 9/00; F41A 9/17; F41A 9/23;
F41A 9/34; F41A 9/84

See application file for complete search history.

(56) **References Cited**

U.S. PATENT DOCUMENTS

D706,379 S *	6/2014	Iannello	D22/108
D706,895 S *	6/2014	Zayatz	D22/108
2012/0233899 A1 *	9/2012	Daniel	F41A 9/65 42/49.01
2016/0025436 A1 *	1/2016	Higley	F41A 9/65 42/49.01

* cited by examiner

Primary Examiner — Michael A. Pratt

(74) *Attorney, Agent, or Firm* — Crump Law P.C.

(57) **CLAIM**

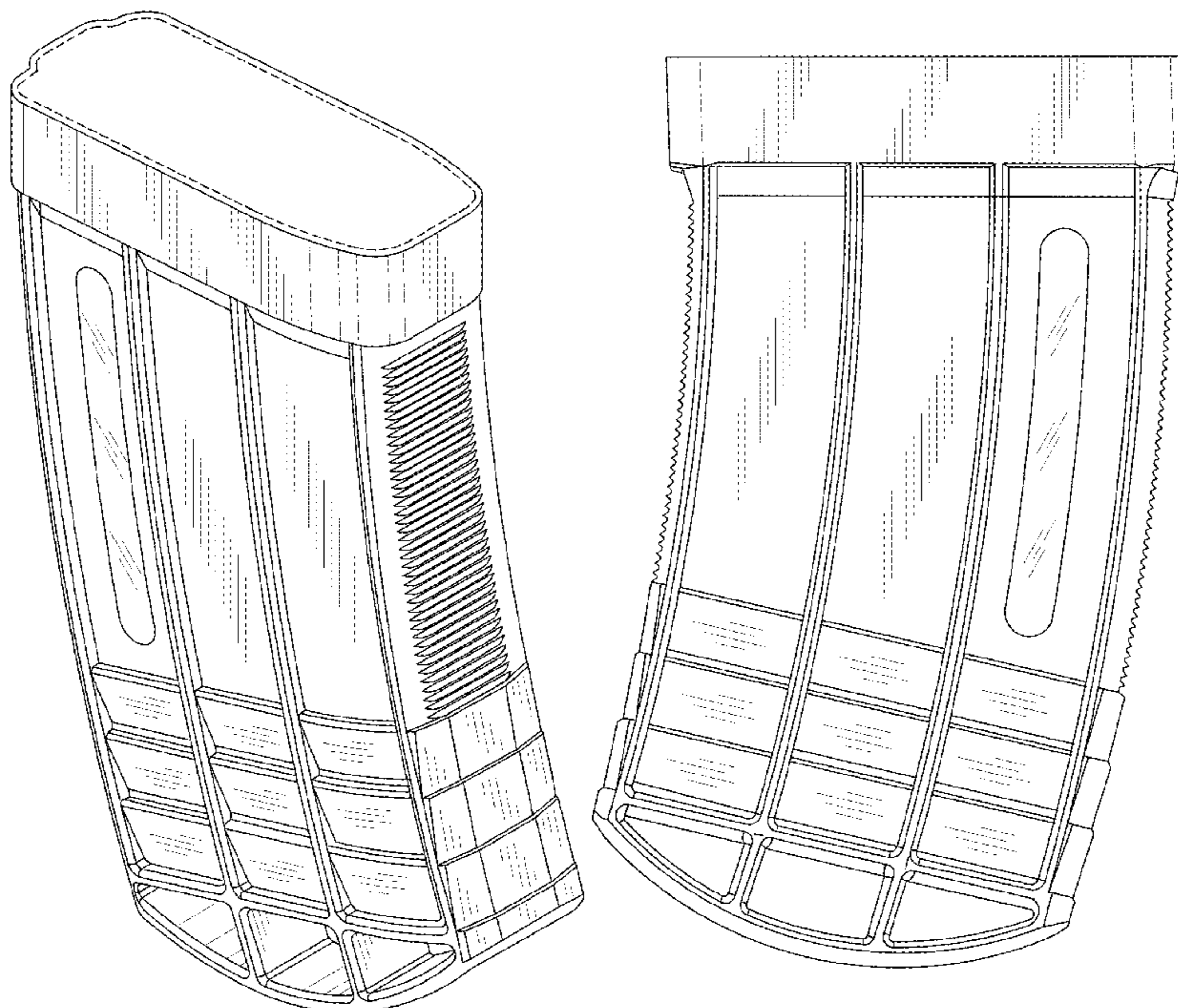
We claim the ornamental design of a firearm magazine, as shown and described.

DESCRIPTION

FIG. 1 is a perspective view of a firearm magazine showing our design;
FIG. 2 is a left side view thereof;
FIG. 3 is a right side view thereof;
FIG. 4 is a front view thereof;
FIG. 5 is a rear view thereof;
FIG. 6 is a bottom view thereof; and,
FIG. 7 is a top view thereof.

The broken lines in the drawings represent features, which are illustrated only for the purpose of understanding the design, and form no part of the claimed design.

1 Claim, 6 Drawing Sheets



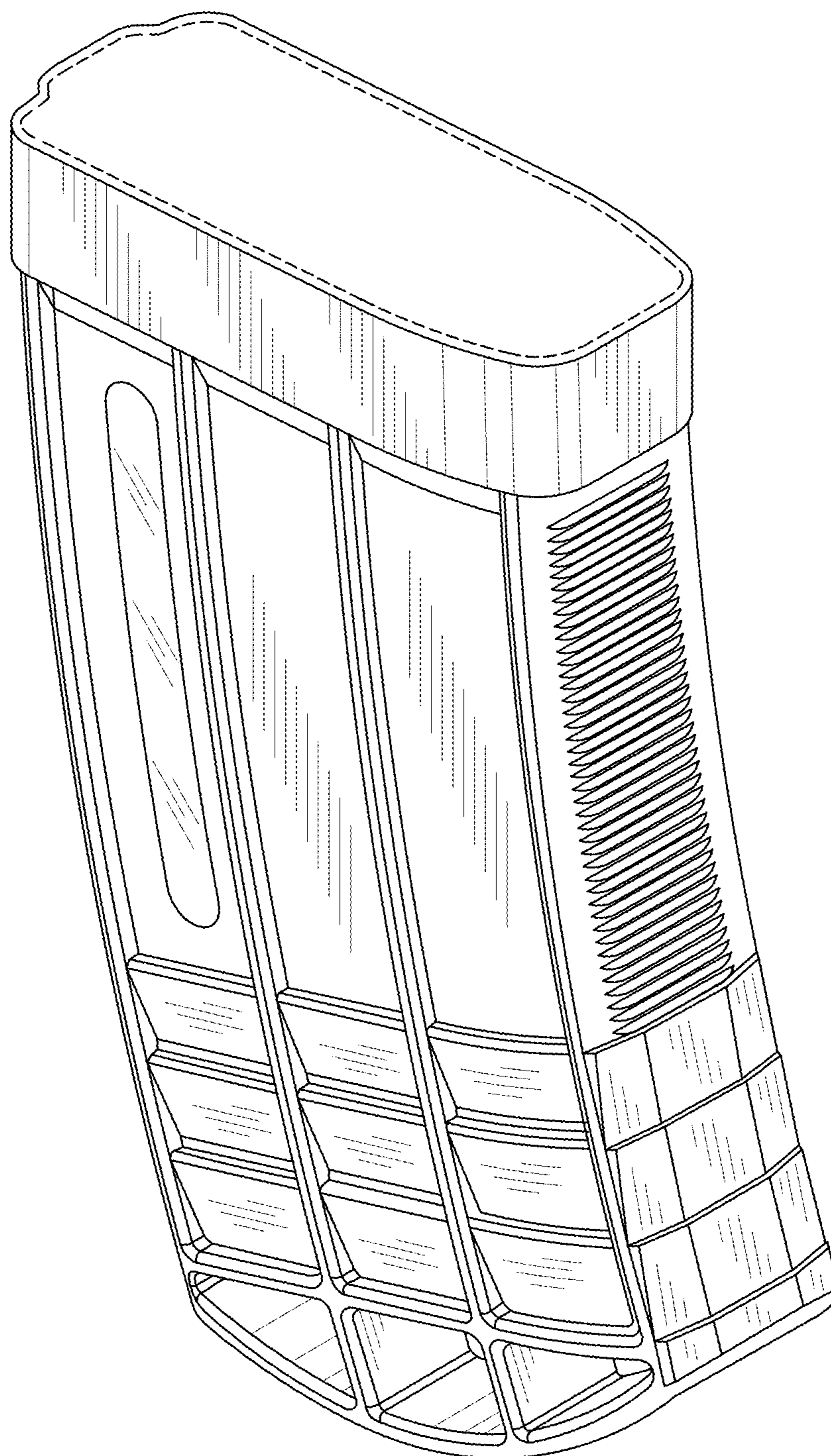


Fig. 1

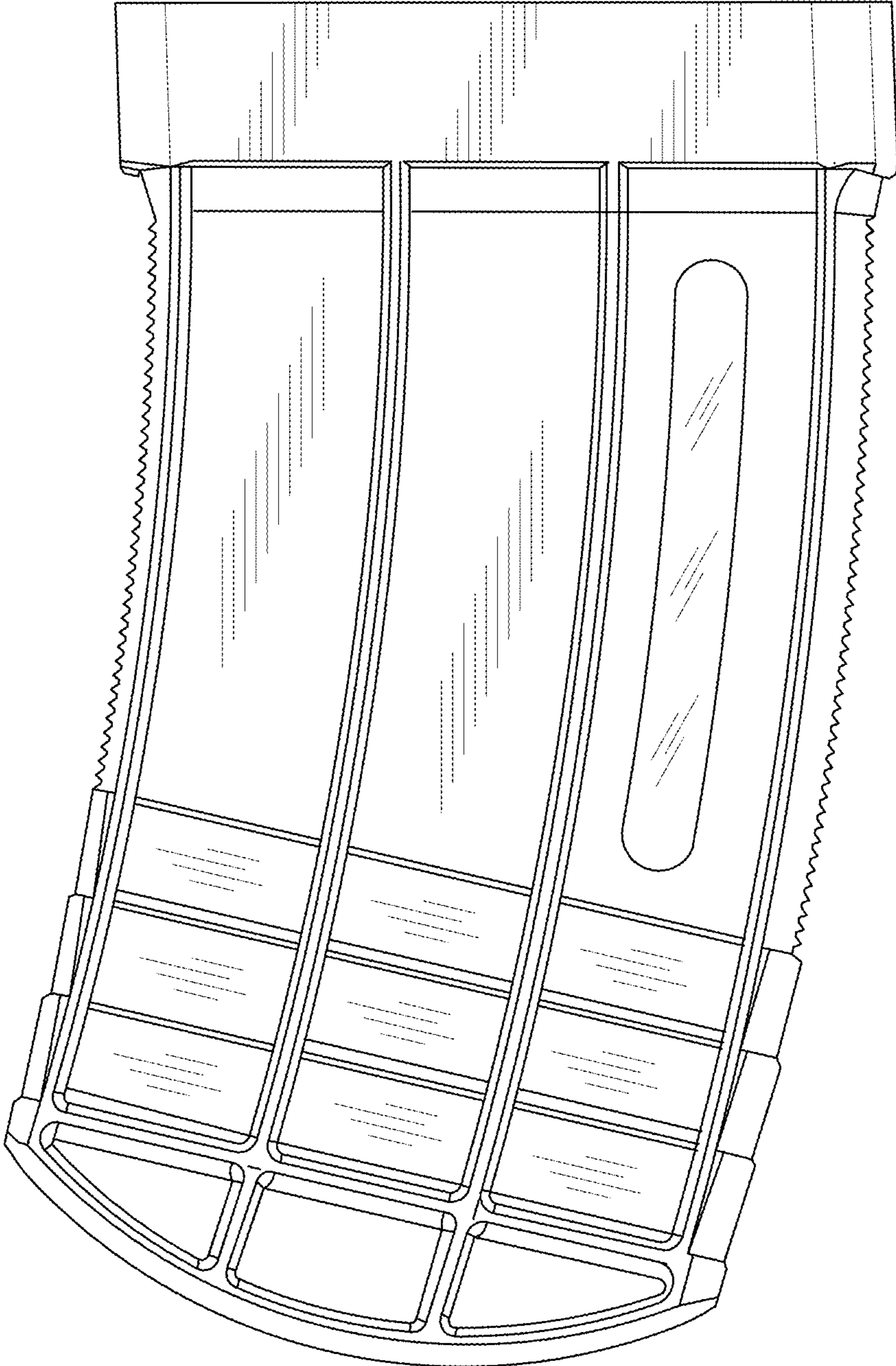


Fig. 2

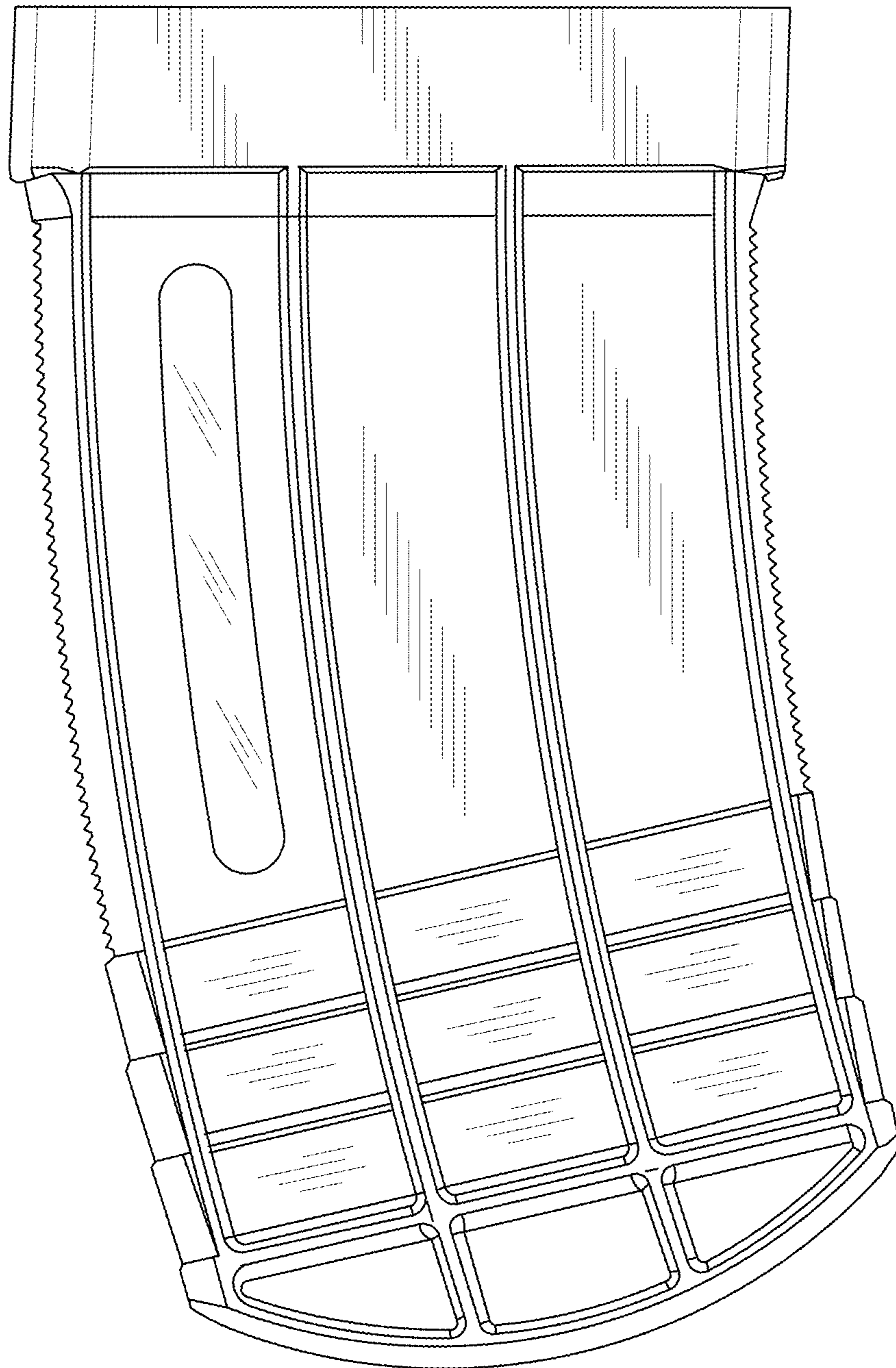


Fig. 3

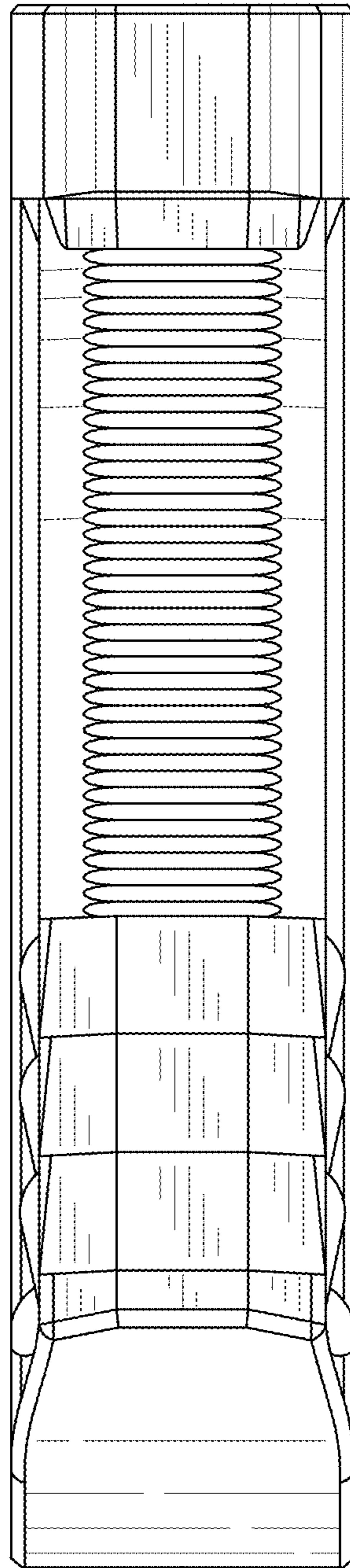


Fig. 4

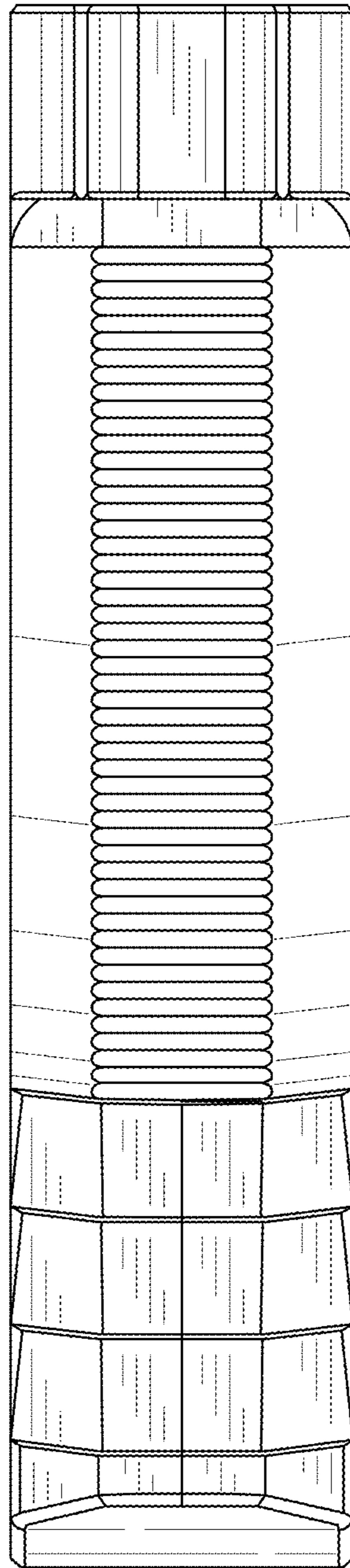


Fig. 5

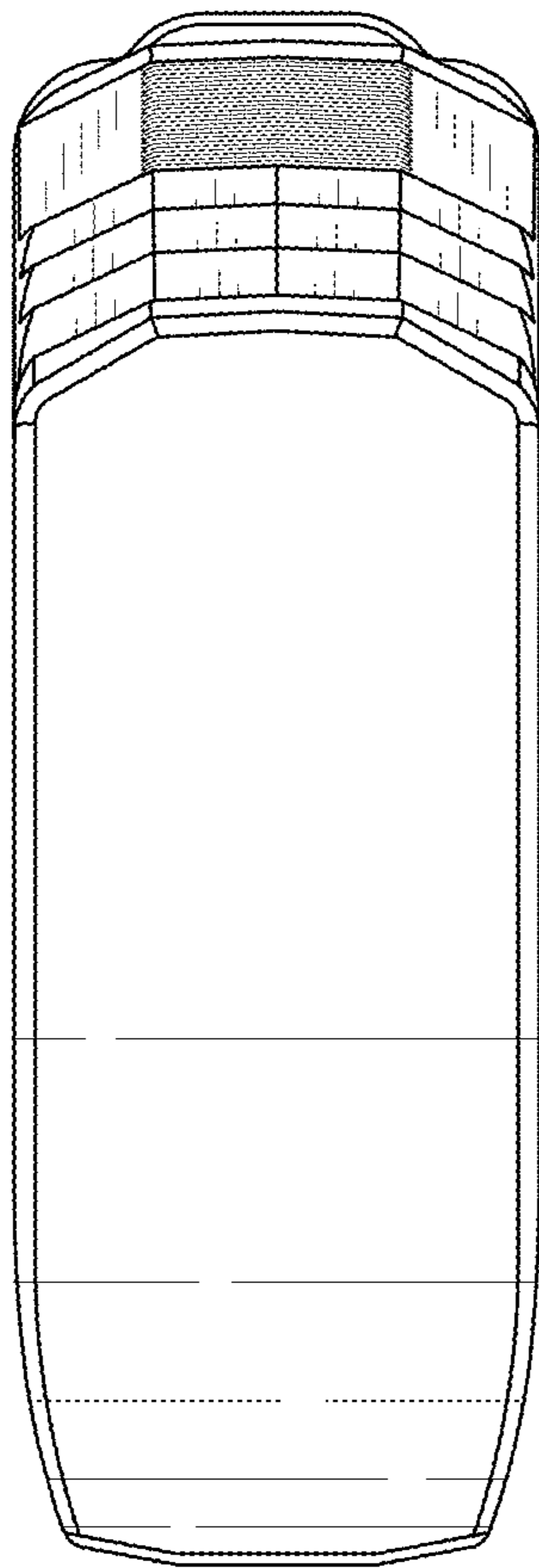


Fig. 6

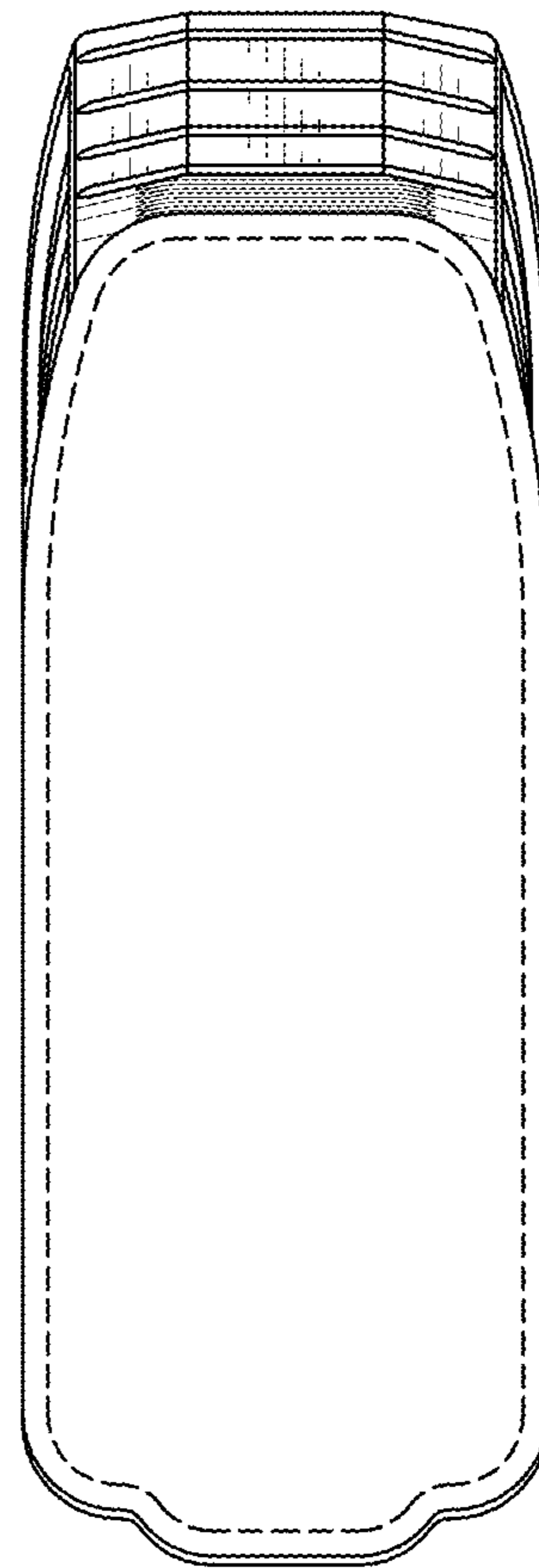


Fig. 7