



US00D893659S

(12) **United States Design Patent**
Noonan

(10) **Patent No.:** **US D893,659 S**

(45) **Date of Patent:** **** Aug. 18, 2020**

- (54) **FIREARM UPPER ASSEMBLY**
- (71) Applicant: **Paul T. Noonan**, Boise, ID (US)
- (72) Inventor: **Paul T. Noonan**, Boise, ID (US)
- (73) Assignee: **F. M. Products Inc**, Boise, ID (US)
- (**) Term: **15 Years**
- (21) Appl. No.: **29/616,186**

- 8,789,304 B2 * 7/2014 Engesser F41A 21/481
42/75.01
- D716,902 S * 11/2014 Nason D22/108
- D720,421 S * 12/2014 Chen D22/108
- D724,171 S * 3/2015 Trusty D22/108
- D733,827 S * 7/2015 Serbu D22/103
- D735,288 S * 7/2015 Gomez D22/108
- 9,239,208 B2 * 1/2016 Miller F41G 1/44
- D748,754 S * 2/2016 Chastain D22/108
- D752,171 S * 3/2016 Chen D22/108
- 9,574,852 B1 * 2/2017 McKillips F41G 11/003
- 9,702,652 B1 * 7/2017 Jackson F41A 21/482
- D797,232 S * 9/2017 Gibbens D22/108

(Continued)

- (22) Filed: **Sep. 3, 2017**
- (51) **LOC (12) Cl.** **22-01**
- (52) **U.S. Cl.**

- USPC **D22/108**; D22/103
- (58) **Field of Classification Search**
- USPC D21/300, 301, 304, 387, 567, 570, 571,
D21/573, 574, 575, 746; D22/100, 101,
D22/102, 103, 106, 107, 108, 109, 110,
D22/111, 112, 199

- CPC F41A 3/26; F41A 3/12; F41A 5/02; F41A
17/22; F41B 5/143; F41B 5/14; F41B
5/066; F41B 7/08; F41B 5/1446; F41B
5/148; F41B 5/1465; F42B 6/04; F42B
6/08; F42B 6/02; F42B 6/06; F42B
12/362; F41C 23/16; F41C 27/00; F41C
7/00; F41G 11/003; F41G 11/001; F41G
11/004; F41G 11/005; A63H 5/04

See application file for complete search history.

(56) **References Cited**

U.S. PATENT DOCUMENTS

- D590,473 S * 4/2009 Fitzpatrick D22/103
- D604,793 S * 11/2009 Fitzpatrick D22/108
- D636,048 S * 4/2011 Larson D22/108
- D674,859 S * 1/2013 Robbins D22/108
- 8,726,557 B2 * 5/2014 Stone F41C 23/16
42/71.01
- D708,693 S * 7/2014 Faxon D22/108
- D709,582 S * 7/2014 Geissele D22/108

OTHER PUBLICATIONS

<https://fm-products.com/upper-receiver-glock/>—Retrieved on Sep. 4, 2018.*

(Continued)

Primary Examiner — Khawaja Anwar
Assistant Examiner — Mojtaba Tehrani

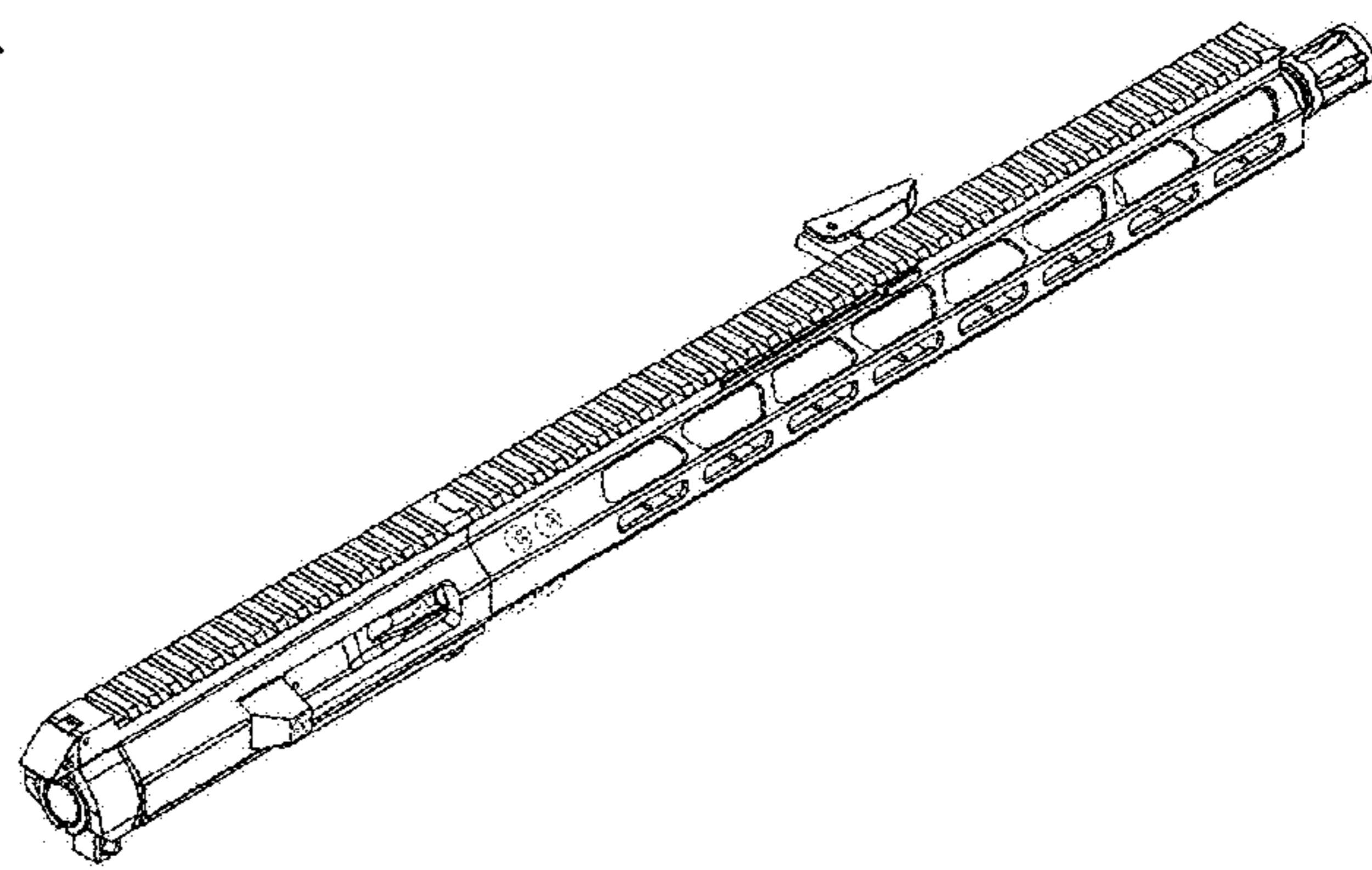
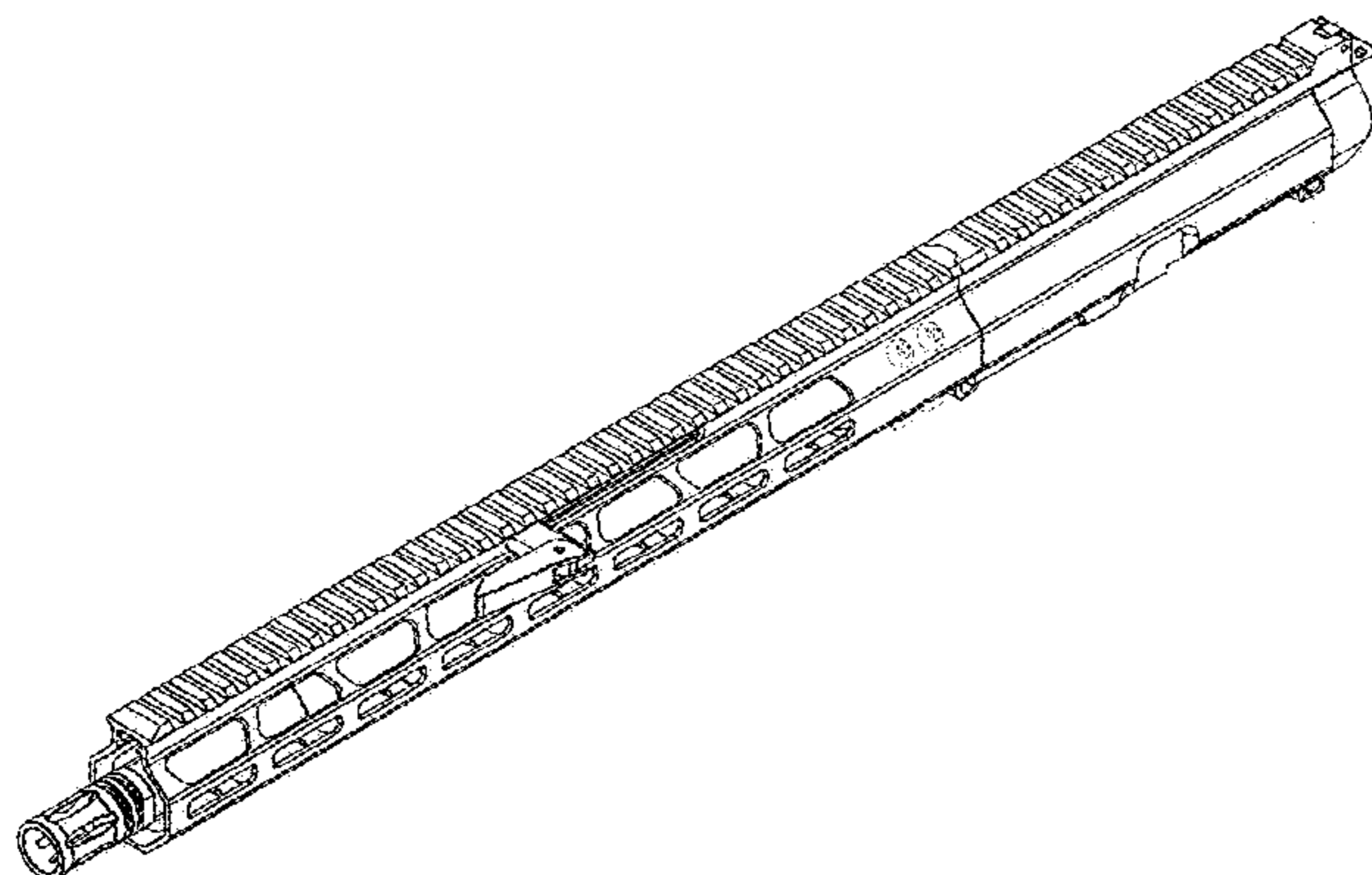
(57) **CLAIM**

I claim the ornamental design for a firearm upper assembly, as shown and described.

DESCRIPTION

FIG. 1 is a front perspective view of a firearm upper assembly showing my new design; FIG. 2 is a rear perspective view thereof; FIG. 3 is a right-side view thereof; FIG. 4 is a left-side view thereof; FIG. 5 is a rear view thereof; FIG. 6 is a front view thereof; FIG. 7 is a top view thereof; and, FIG. 8 is a bottom view thereof. The broken line in the drawings depicts unclaimed subject matter that and forms no part of the claimed design.

1 Claim, 8 Drawing Sheets



(56)

References Cited

U.S. PATENT DOCUMENTS

D819,766 S * 6/2018 Farris D22/104
10,024,632 B1 * 7/2018 Oglesby F41G 11/003
D827,753 S * 9/2018 Lessard D22/103
2012/0186123 A1 * 7/2012 Troy F41C 23/16
42/71.01
2014/0075804 A1 * 3/2014 Langevin F41C 23/16
42/16
2014/0130390 A1 * 5/2014 Geissele F41C 23/16
42/71.01
2015/0168096 A1 * 6/2015 Miller F41C 23/16
42/71.01
2015/0369555 A1 * 12/2015 Daniel F41A 21/485
42/75.02
2018/0195820 A1 * 7/2018 Noonan F41A 3/72
2018/0216904 A1 * 8/2018 Noonan F41A 9/68
2018/0224239 A1 * 8/2018 Noonan F41C 23/22

OTHER PUBLICATIONS

<https://www.youtube.com/watch?v=Hkr9wV3axwM>—Published on
Jan. 18, 2017.*

* cited by examiner

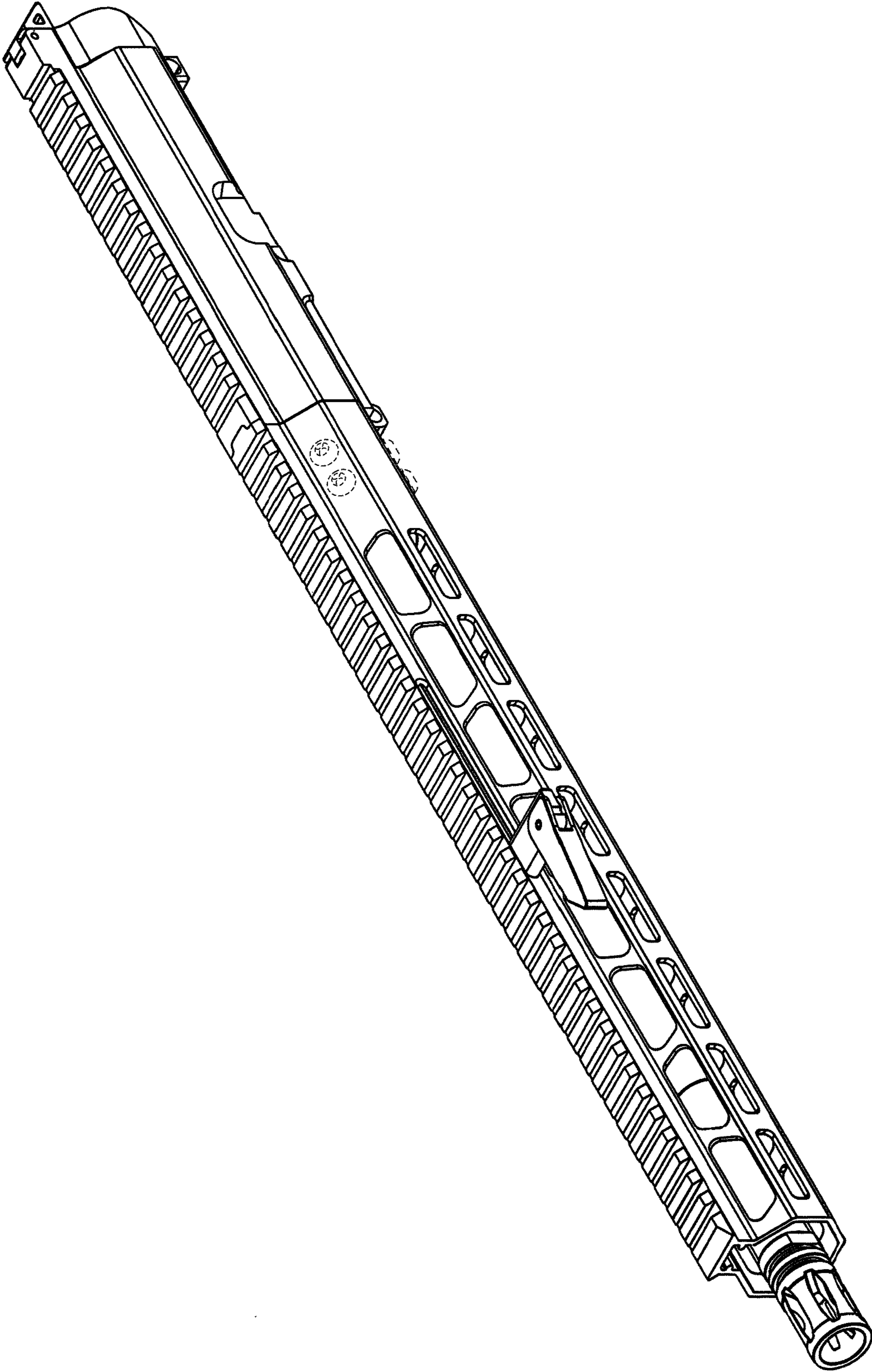


Figure 1

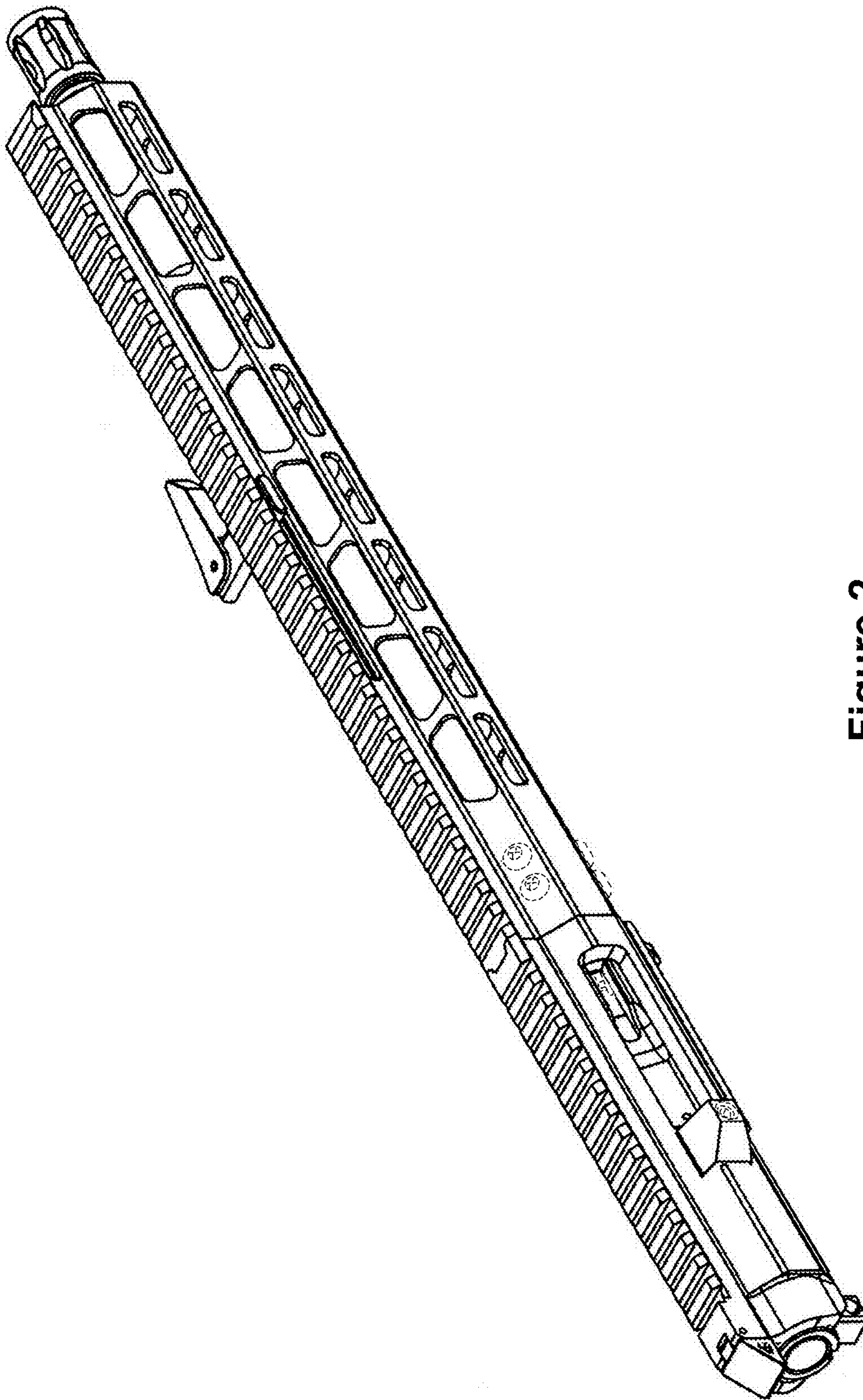


Figure 2

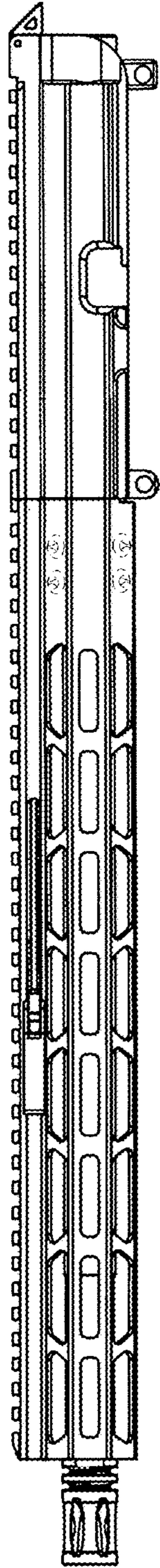


Figure 3

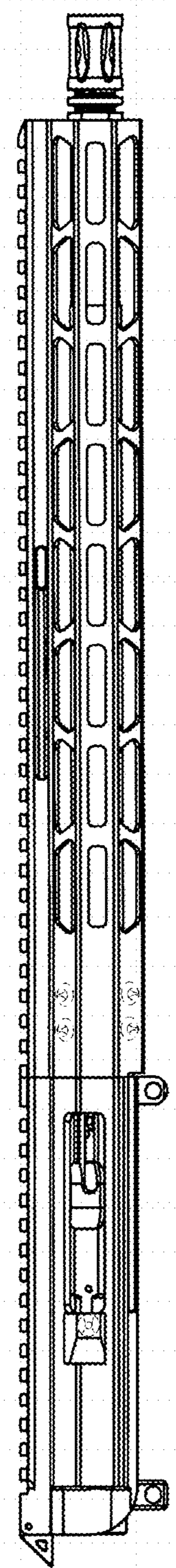


Figure 4

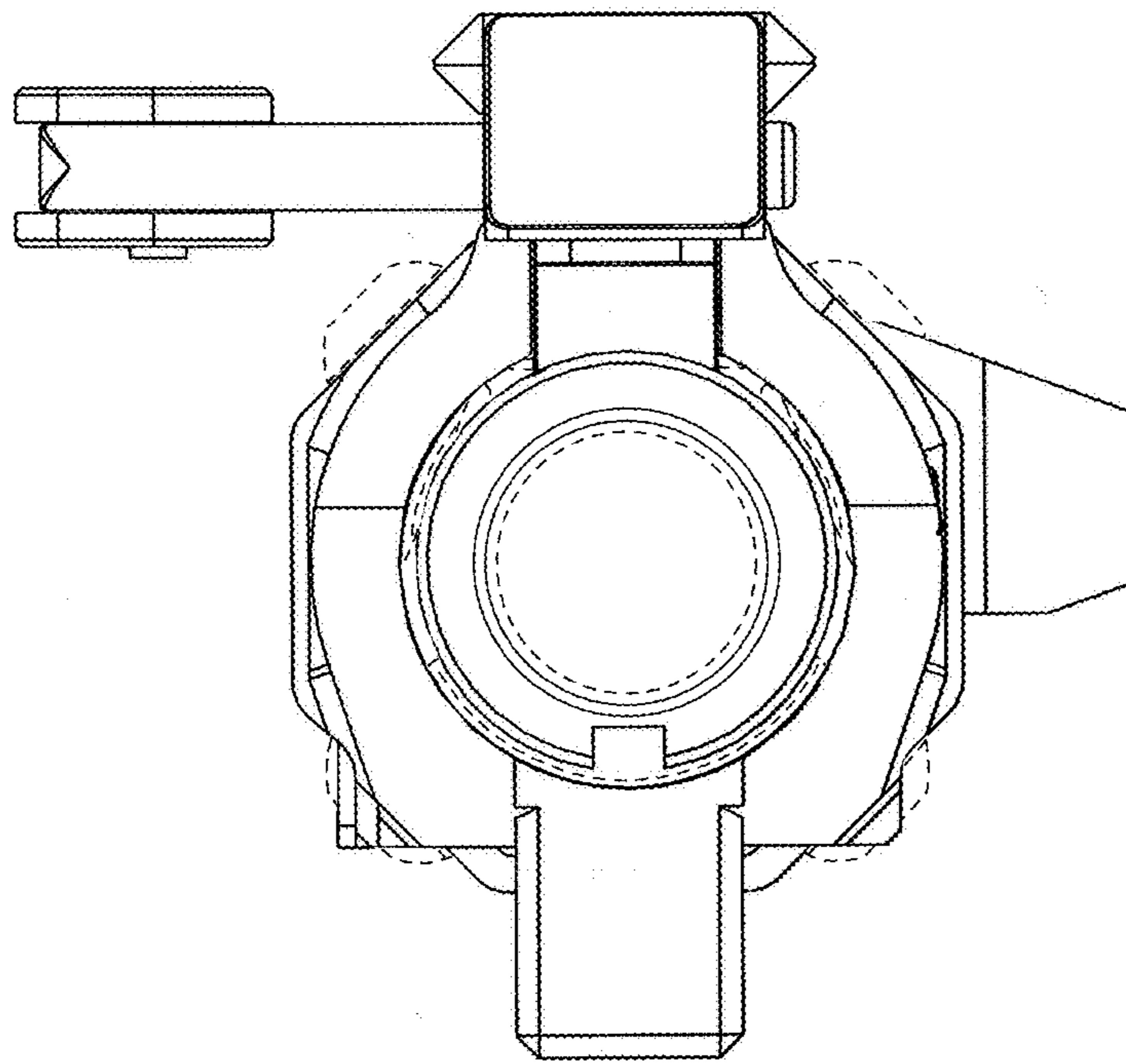


Figure 5

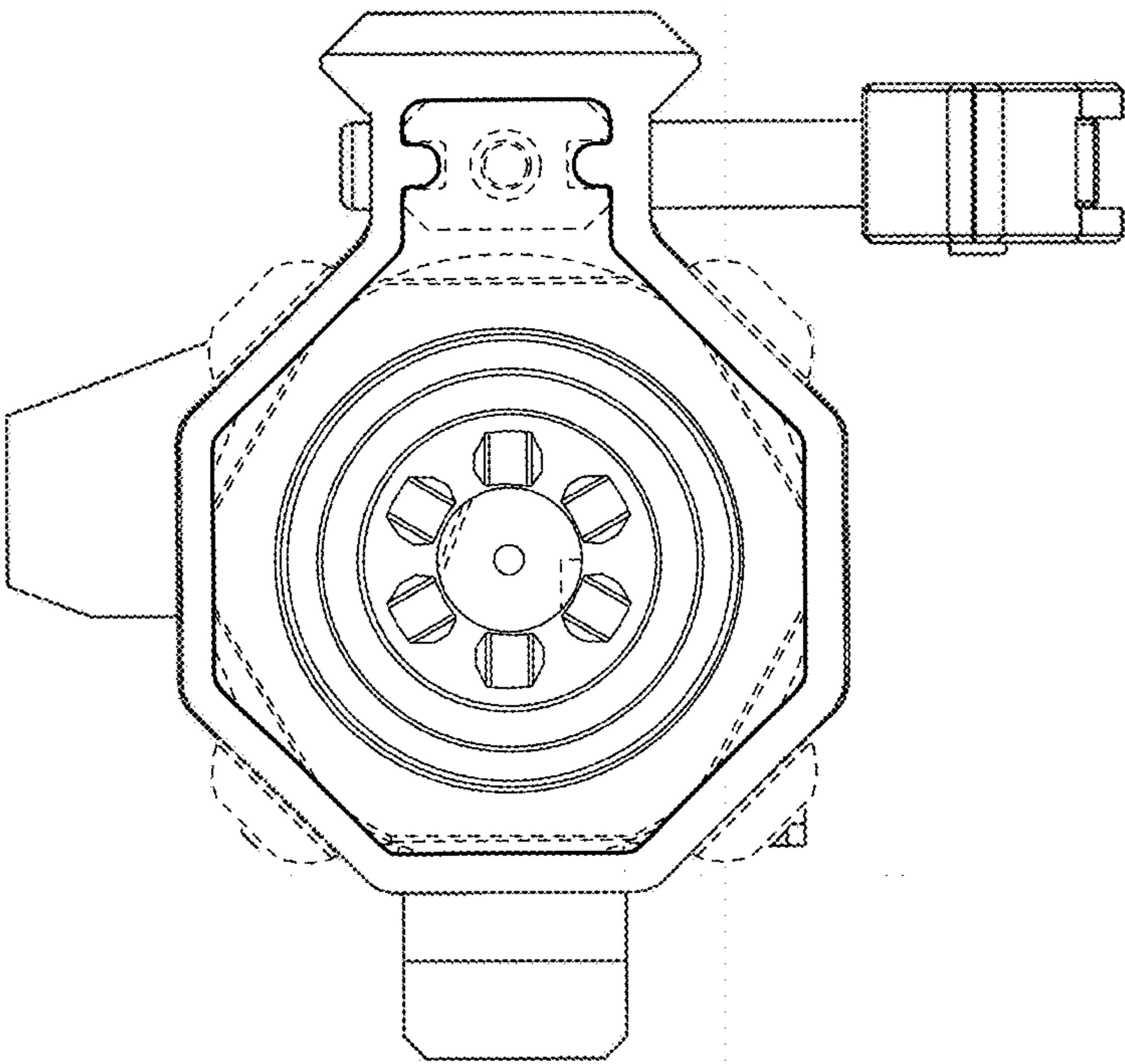


Figure 6

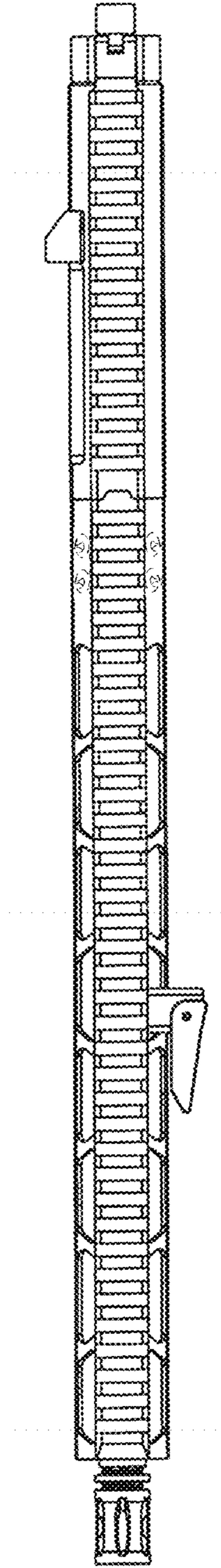


Figure 7

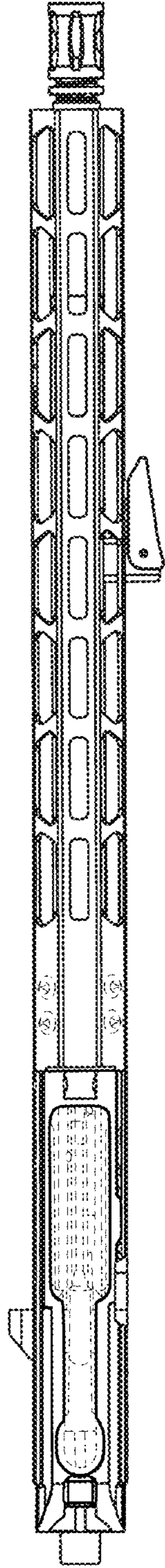


Figure 8