



US00D893658S

(12) **United States Design Patent**
Noonan

(10) **Patent No.:** **US D893,658 S**

(45) **Date of Patent:** **** Aug. 18, 2020**

- (54) **BOLT CARRIER**
- (71) Applicant: **F.M. Products Inc**, Boise, ID (US)
- (72) Inventor: **Paul T. Noonan**, Boise, ID (US)
- (73) Assignee: **F.M. Products Inc.**, Boise, ID (US)
- (**) Term: **15 Years**

- 8,844,424 B2 * 9/2014 Gomez F41A 3/26
89/132
- 8,950,097 B2 * 2/2015 Sugg F41A 3/68
42/16
- 8,950,312 B2 * 2/2015 Gomez F41A 3/38
89/132
- 9,103,611 B2 * 8/2015 Neitzling F41A 3/26
- D754,273 S * 4/2016 Oglesby D22/108
- 9,372,038 B1 * 6/2016 Sylvester F41A 5/24
- 9,470,469 B2 * 10/2016 Daniel F41A 35/00

(Continued)

(21) Appl. No.: **29/616,179**

(22) Filed: **Sep. 2, 2017**

(51) **LOC (12) Cl.** **22-01**

(52) **U.S. Cl.**
USPC **D22/108**

(58) **Field of Classification Search**
USPC D21/300, 301, 304, 387, 567, 570, 571,
D21/573, 574, 575, 746; D22/100, 101,
D22/102, 103, 106, 107, 108, 109, 110,
D22/111, 112, 199

CPC F41A 3/26; F41A 3/12; F41A 5/02; F41A
17/22; F41B 5/143; F41B 5/14; F41B
5/066; F41B 7/08; F41B 5/1446; F41B
5/148; F41B 5/1465; F42B 6/04; F42B
6/08; F42B 6/02; F42B 6/06; F42B
12/362; F41C 23/16; F41C 27/00; F41C
7/00; F41G 11/003; F41G 11/001; F41G
11/004; F41G 11/005; A63H 5/04

See application file for complete search history.

(56) **References Cited**

U.S. PATENT DOCUMENTS

- 7,316,091 B1 * 1/2008 Desomma F41A 3/26
42/16
- 7,779,743 B2 * 8/2010 Herring F41A 5/18
89/193
- 7,930,968 B2 * 4/2011 Giefing F41A 3/26
42/16
- D641,451 S * 7/2011 Gomez F41A 5/20
D22/108
- 8,689,672 B2 * 4/2014 Cassels F41A 5/26
42/69.02

OTHER PUBLICATIONS

“Product Spotlight Foxtrot Mike 9MM Complete Bolt Carrier”
[online]. Foxtrot Mike Products [Published on Jul. 17, 2017].
Retrieved from the Internet: <<https://www.youtube.com/watch?v=nsntlYhKNJs>>.*

Primary Examiner — Khawaja Anwar
Assistant Examiner — Mojtaba Tehrani

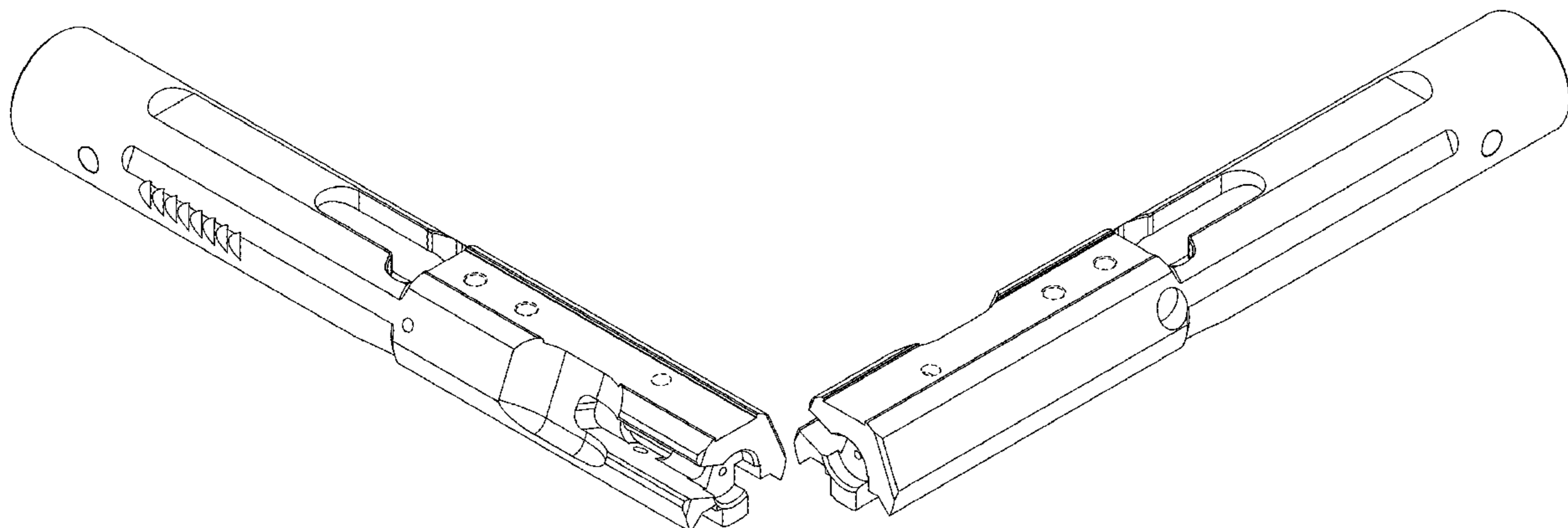
(57) **CLAIM**

I claim ornamental design for a bolt carrier, as shown and described.

DESCRIPTION

FIG. 1 is a front perspective view of a bolt carrier showing my new design;
FIG. 2 is a rear, right side, perspective view thereof;
FIG. 3 is a rear, left side, perspective view thereof;
FIG. 4 is a right-side view thereof;
FIG. 5 is a left-side view thereof;
FIG. 6 is a front view thereof;
FIG. 7 is a rear view thereof;
FIG. 8 is a top view thereof; and,
FIG. 9 is a bottom view thereof.
The broken line in the drawings depicts unclaimed portion of the bolt carrier only and forms no part of the claimed design.

1 Claim, 9 Drawing Sheets



(56)

References Cited

U.S. PATENT DOCUMENTS

9,791,224	B1 *	10/2017	Russo	F41A 3/66
9,857,129	B1 *	1/2018	Kelly	F41A 3/30
9,970,721	B1 *	5/2018	Oglesby	F41A 3/64
10,006,726	B1 *	6/2018	Oglesby	F41A 3/20
10,018,434	B2 *	7/2018	Daley, Jr.	F41G 11/003
10,041,750	B2 *	8/2018	Oglesby	F41A 3/26
2014/0076144	A1 *	3/2014	Gomez	F41A 3/38
				89/132
2014/0090283	A1 *	4/2014	Gomez	F41A 3/26
				42/25
2016/0123685	A1 *	5/2016	Oglesby	F41A 3/26
				89/180

* cited by examiner

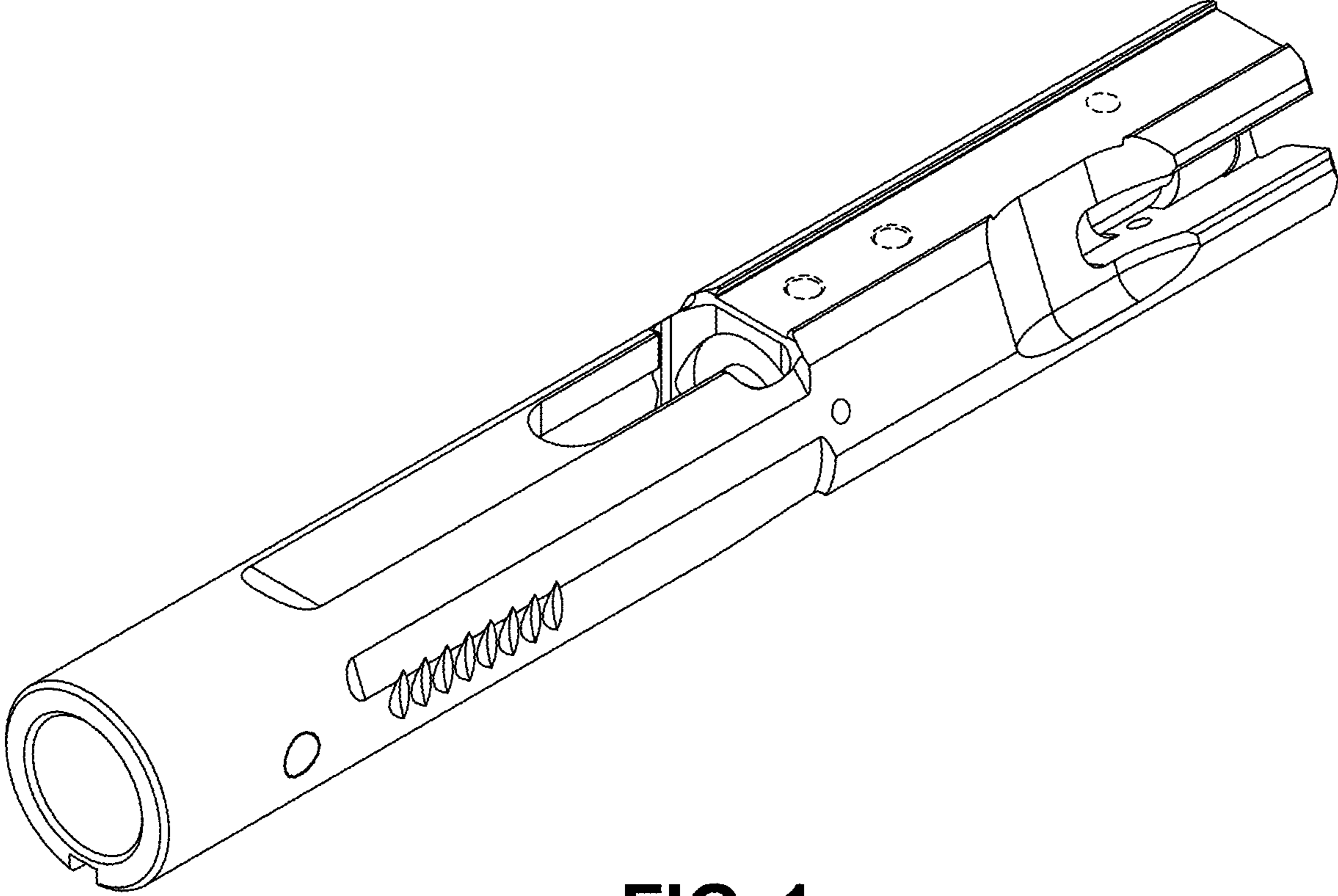


FIG. 1

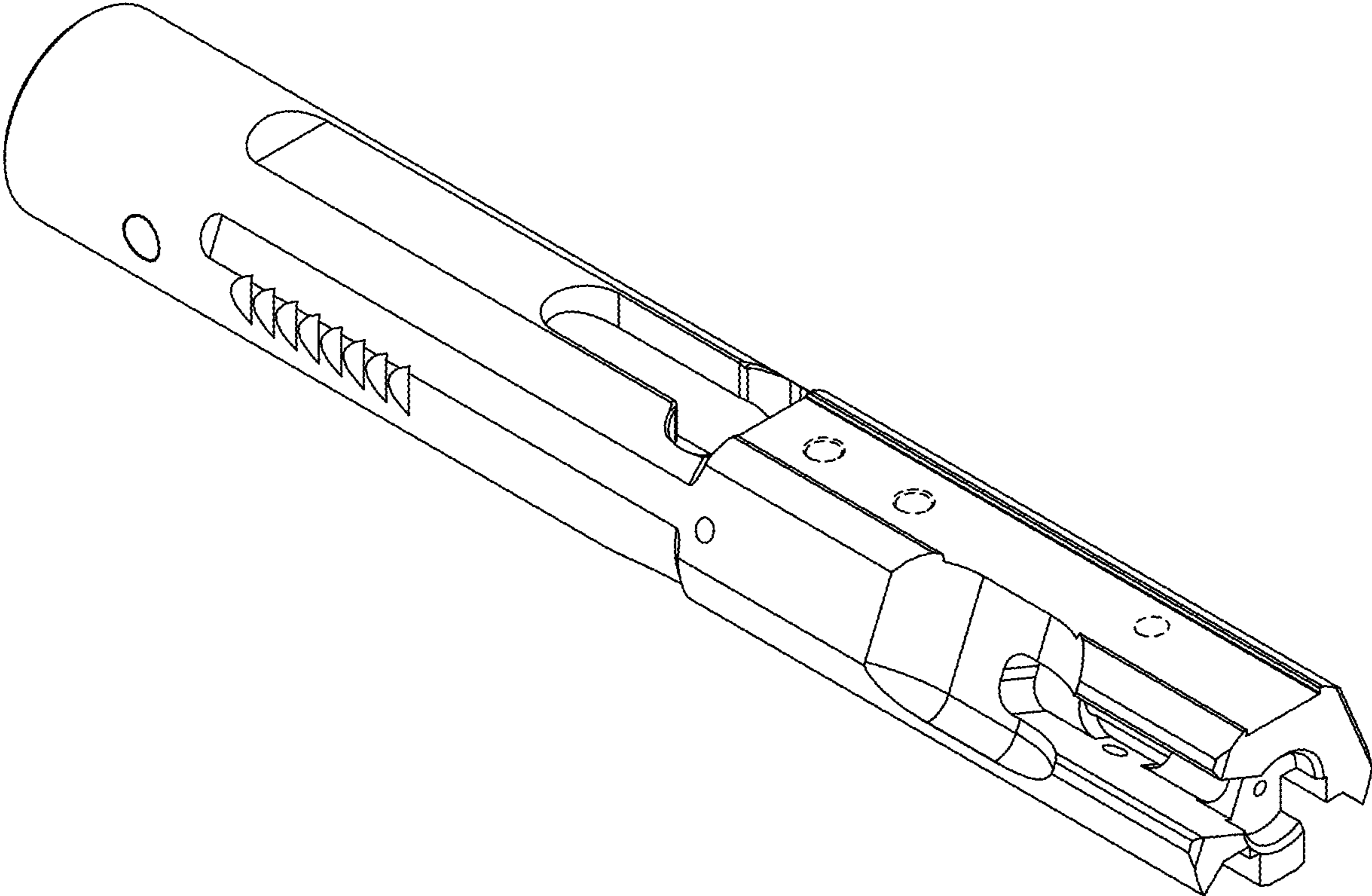


FIG. 2

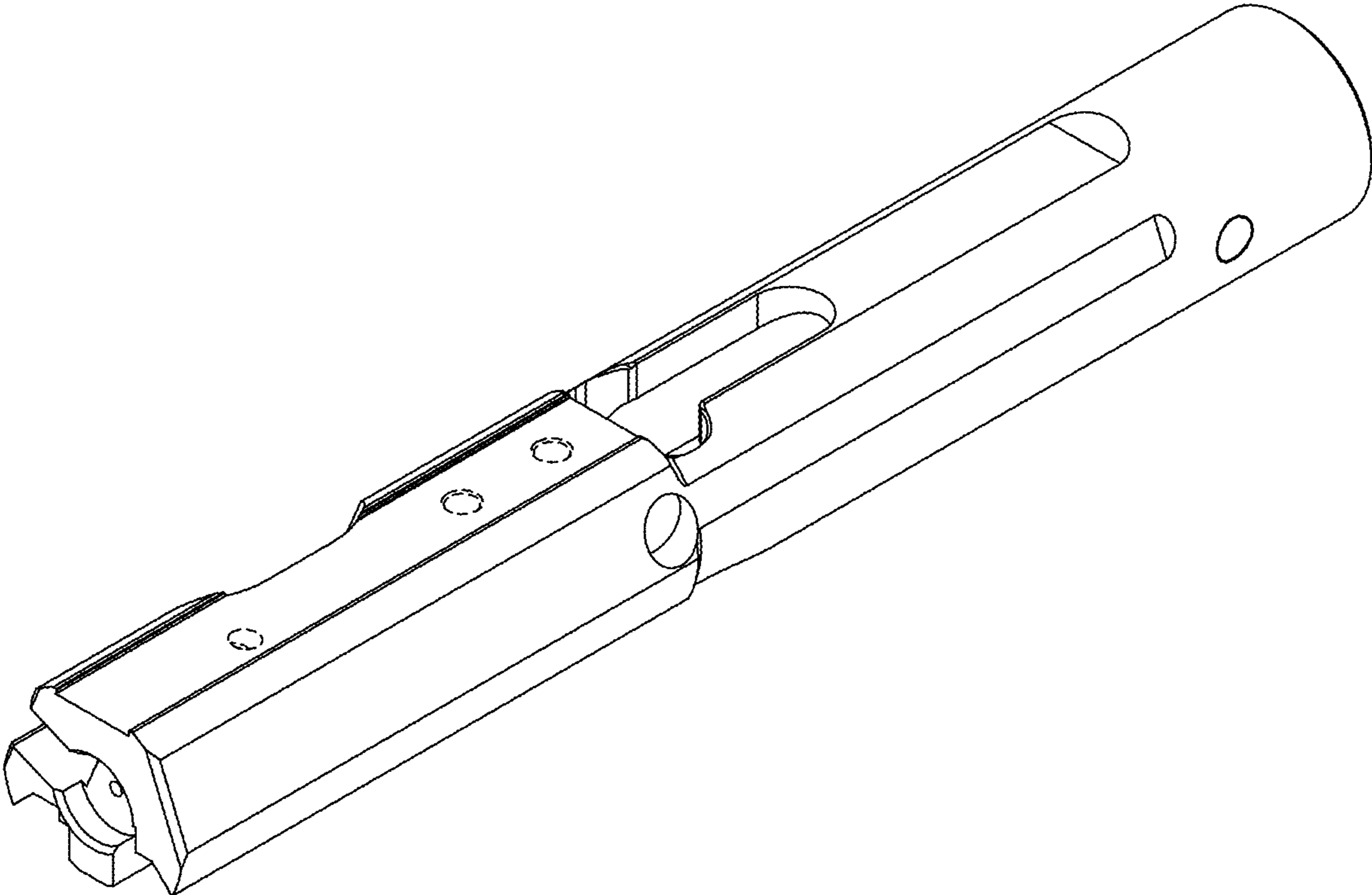


FIG. 3

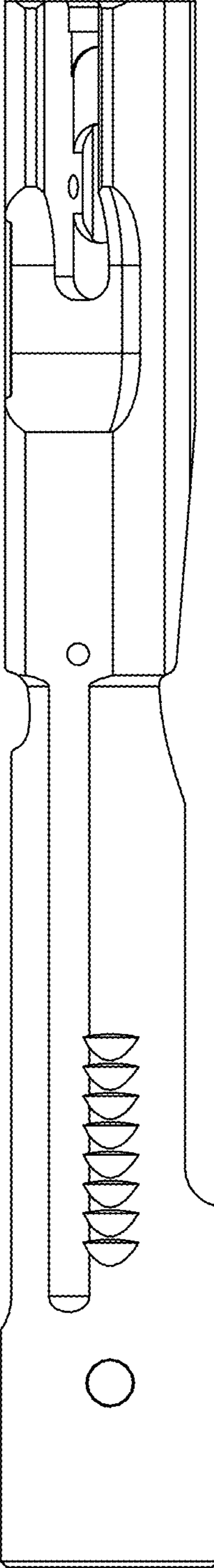


FIG. 4

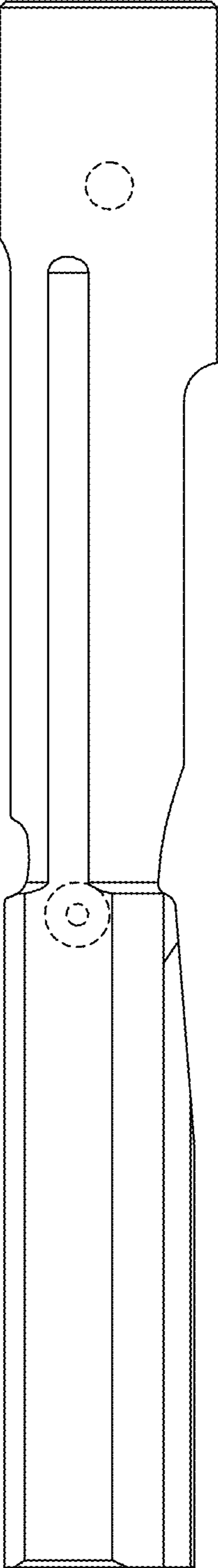


FIG. 5

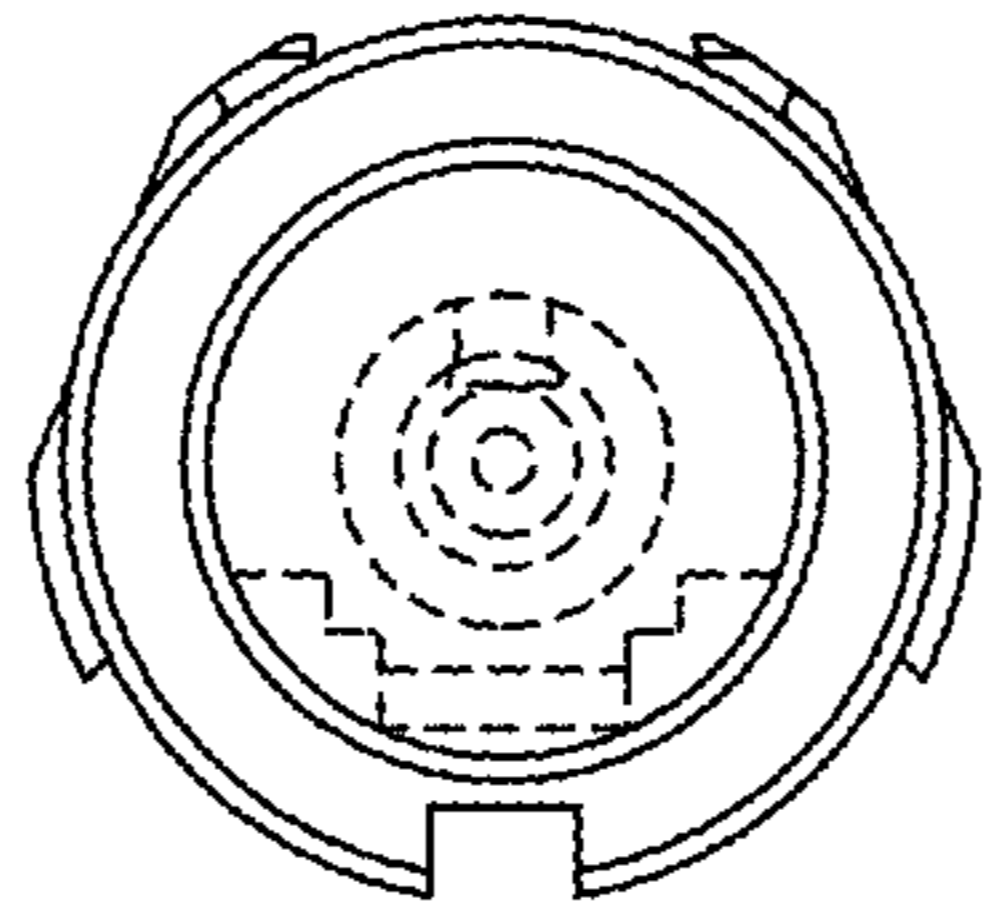


FIG. 6

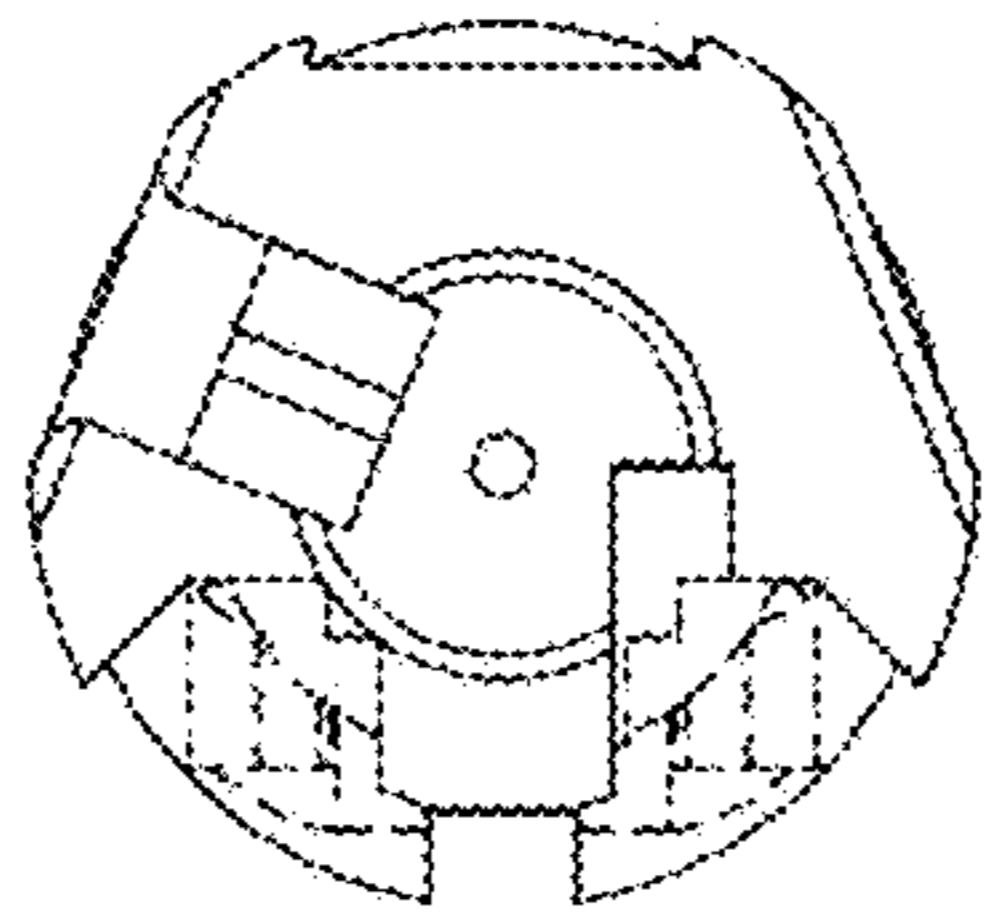


FIG. 7

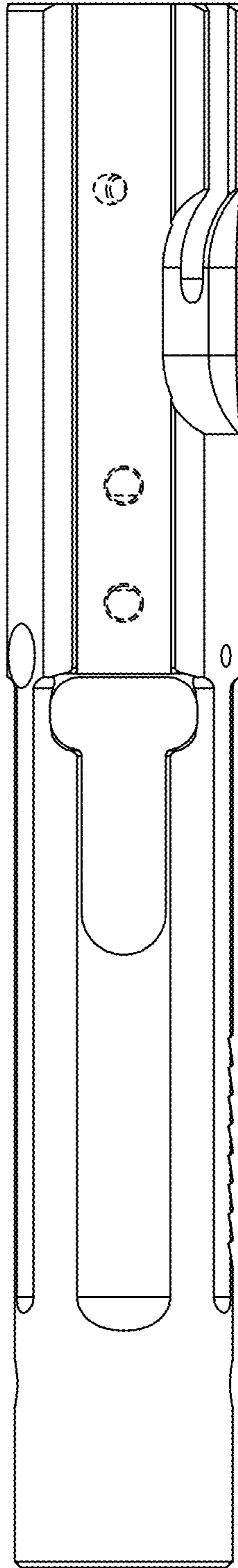


FIG. 8

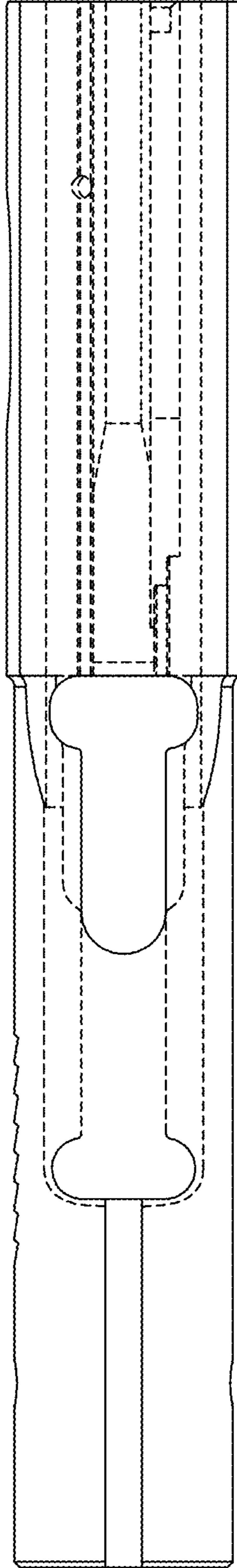


FIG. 9