



US00D893656S

(12) **United States Design Patent**
Azar Cohen et al.

(10) **Patent No.:** **US D893,656 S**

(45) **Date of Patent:** **** Aug. 18, 2020**

(54) **INFLATABLE CHAIR HAVING BUILT IN WIRELESS SPEAKERS AND POCKETS**

(71) Applicant: **Leon Azar Cohen**, Brooklyn, NY (US)

(72) Inventors: **Leon Azar Cohen**, Brooklyn, NY (US);
Peter Ragonetti, Brooklyn, NY (US)

(**) Term: **15 Years**

(21) Appl. No.: **29/606,839**

(22) Filed: **Jun. 8, 2017**

(51) **LOC (12) Cl.** **21-02**

(52) **U.S. Cl.**
USPC **D21/803**

(58) **Field of Classification Search**
USPC D21/769–770, 801, 803, 809; D12/5, 6,
D12/316; D6/392, 595, 596, 601, 604,
D6/605
CPC B63B 35/58; B63B 35/73; B63B 35/76;
B63B 35/79; B63B 35/83; B63B 35/02;
B63B 35/56; B63B 35/60; A63G 31/00;
A63H 23/10
See application file for complete search history.

(56) **References Cited**

U.S. PATENT DOCUMENTS

D481,435 S * 10/2003 Zheng D21/803
D483,088 S * 12/2003 Zheng D21/803

D484,213 S * 12/2003 Linder D21/803
D552,203 S * 10/2007 Peterson D21/803
D552,205 S * 10/2007 Peterson D21/803
D554,224 S * 10/2007 Peterson D21/803
D610,216 S * 2/2010 Le Gette D21/803
D702,789 S * 4/2014 Berenson D21/803
D711,488 S * 8/2014 Lau D21/803
D766,393 S * 9/2016 Lau D21/803
D806,196 S * 12/2017 Hoffmann D21/803

* cited by examiner

Primary Examiner — Zenia I Bennett

(74) *Attorney, Agent, or Firm* — Ezra Sutton

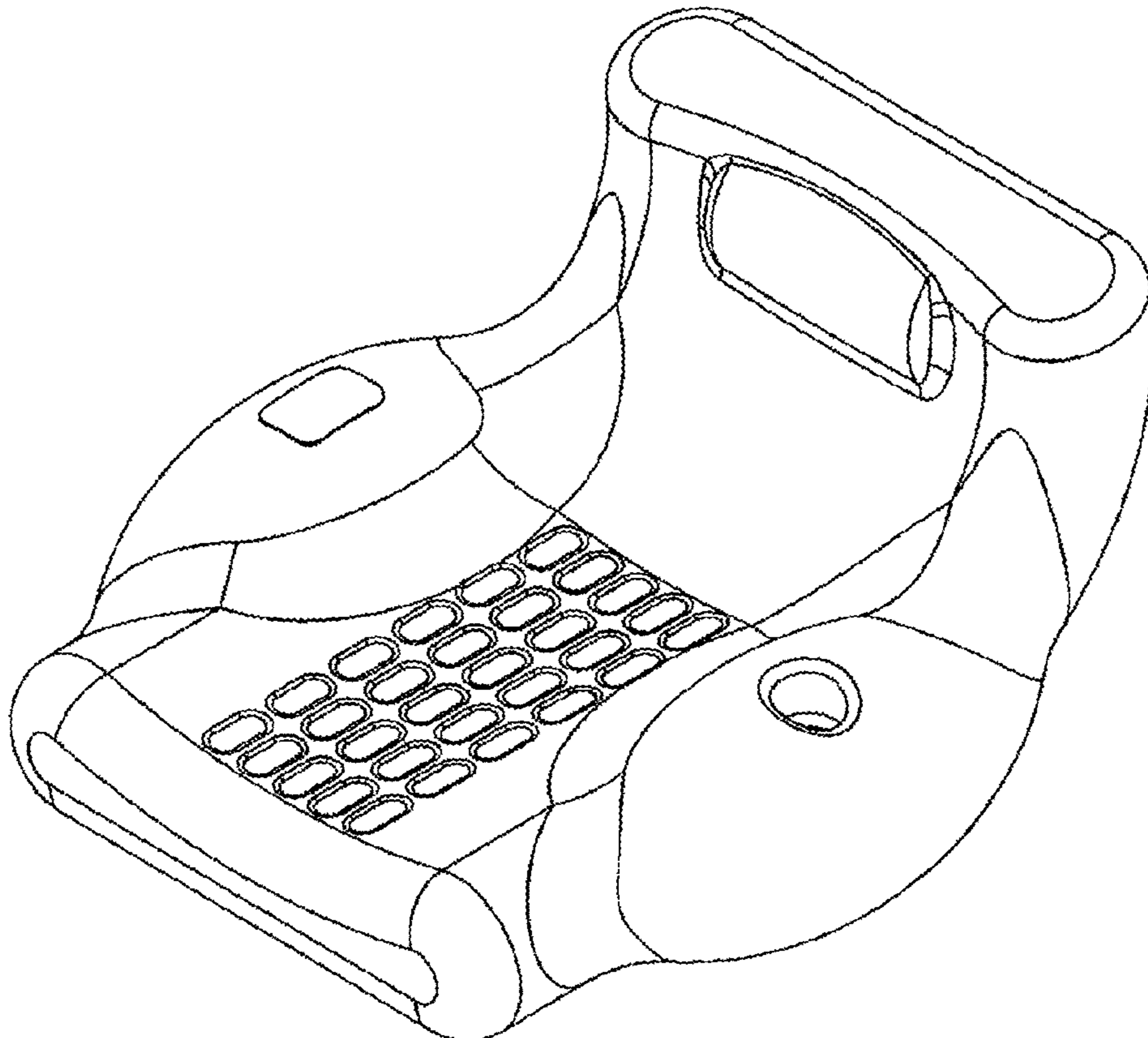
(57) **CLAIM**

The ornamental design for the inflatable chair having built in wireless speakers and pockets, as shown and described.

DESCRIPTION

FIG. 1 is a front perspective view of the inflatable chair having built in wireless speakers and pockets;
FIG. 2 is a rear perspective view of the inflatable chair shown in FIG. 1;
FIG. 3 is a top view thereof, showing a new handle design on the sides thereof;
FIG. 4 is a front view thereof;
FIG. 5 is a rear view thereof;
FIG. 6 is a bottom view thereof;
FIG. 7 is a right side view thereof; and,
FIG. 8 is a left side view thereof.

1 Claim, 8 Drawing Sheets



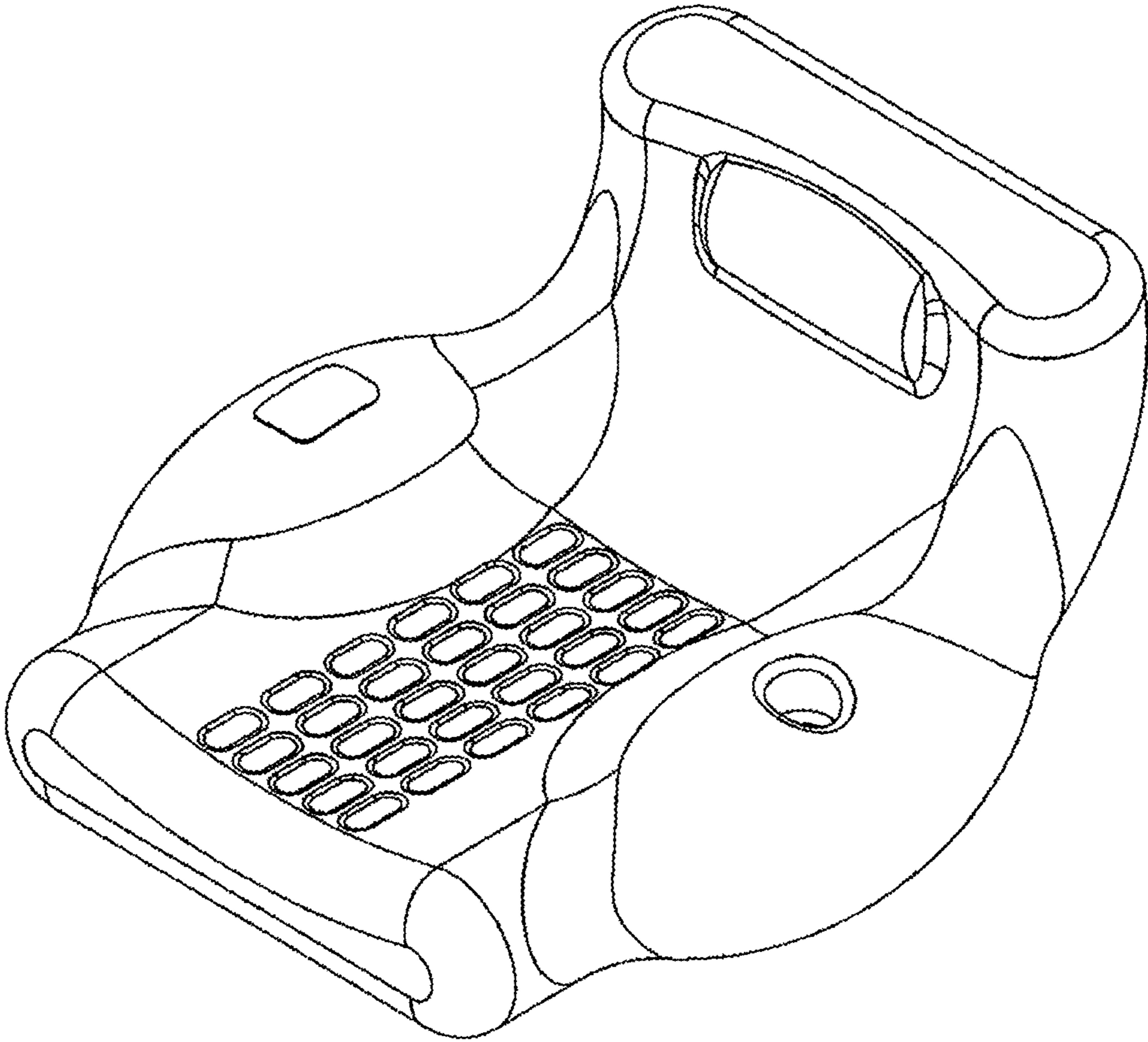


FIGURE 1

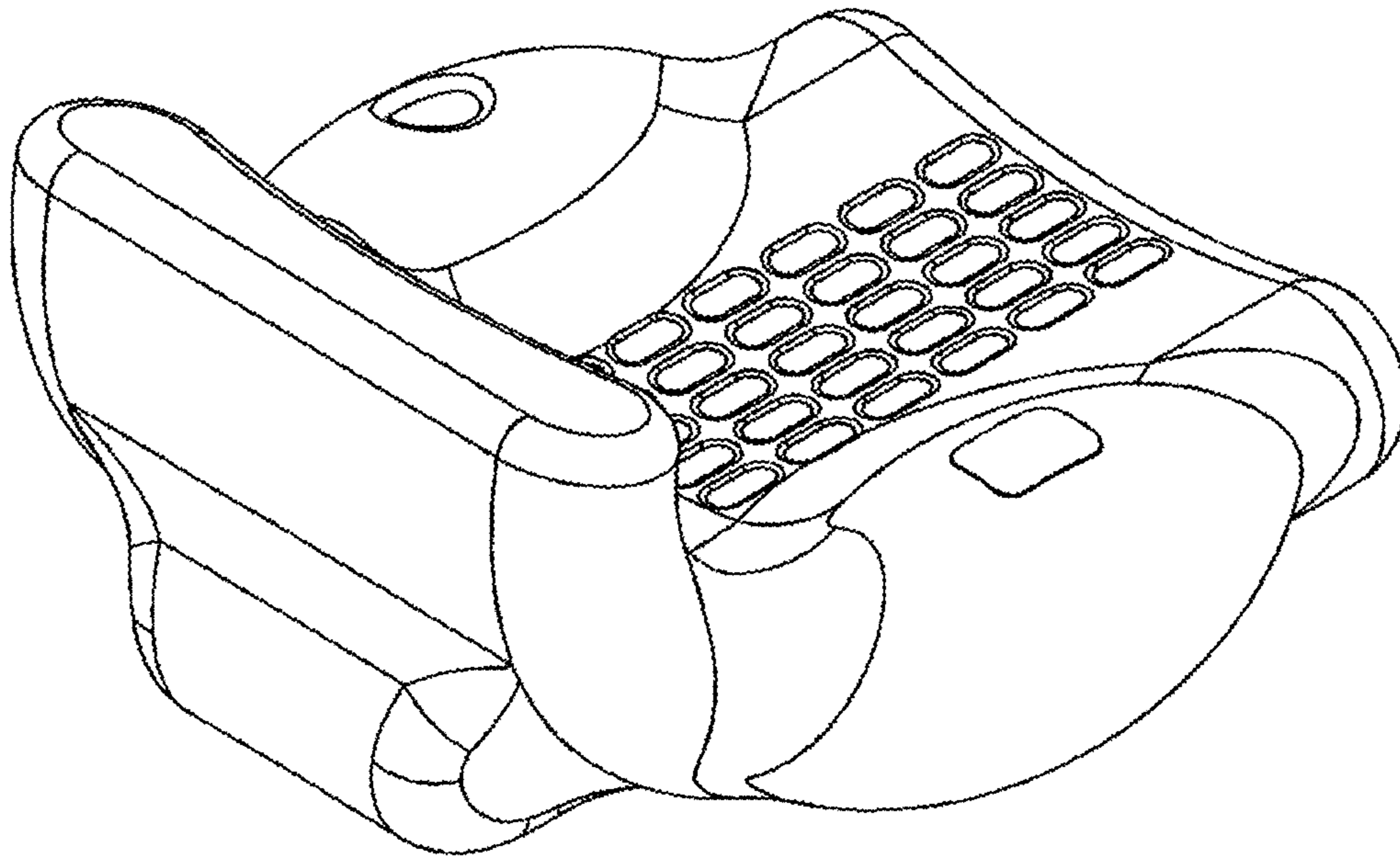


FIGURE 2

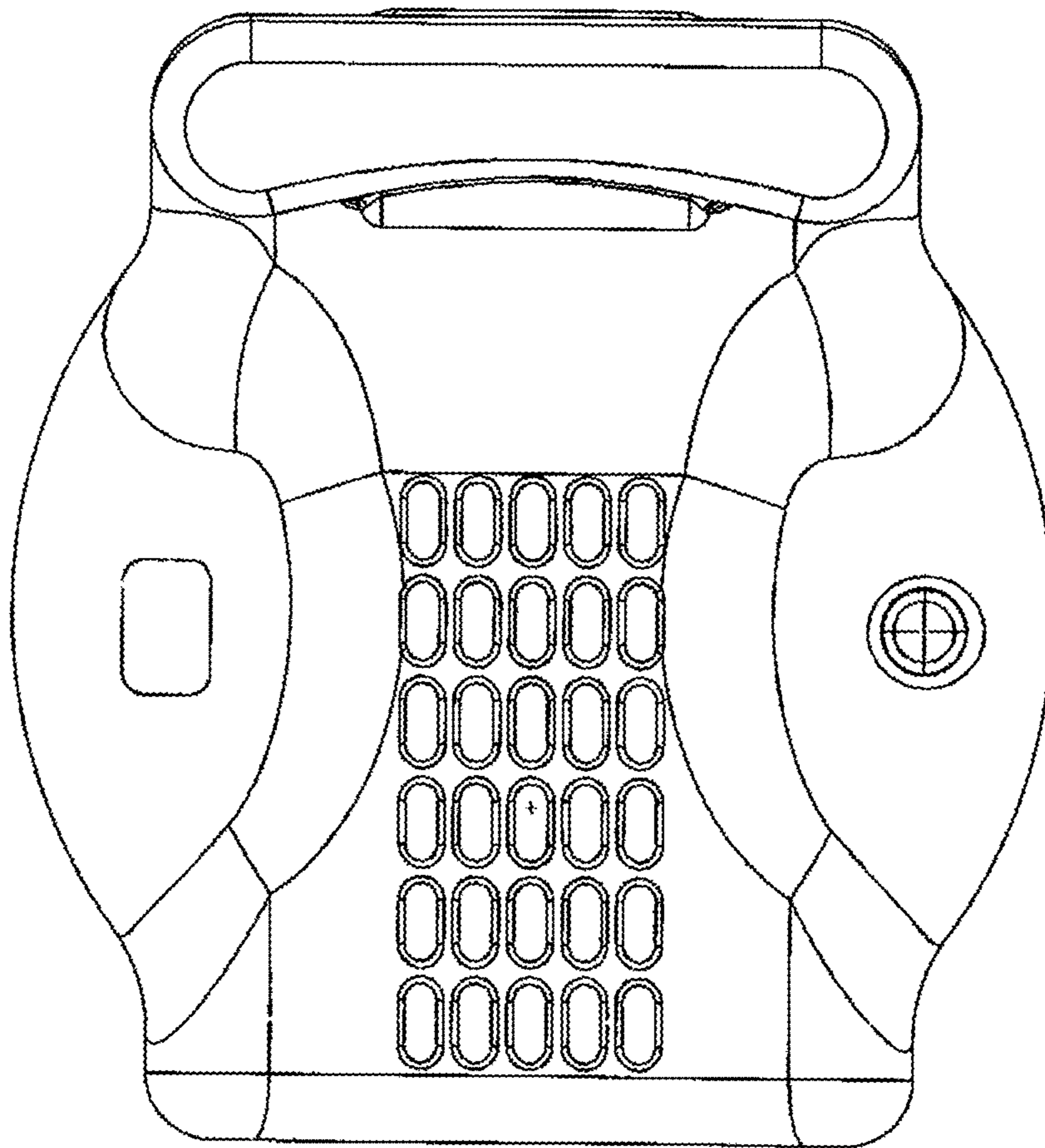


FIGURE 3

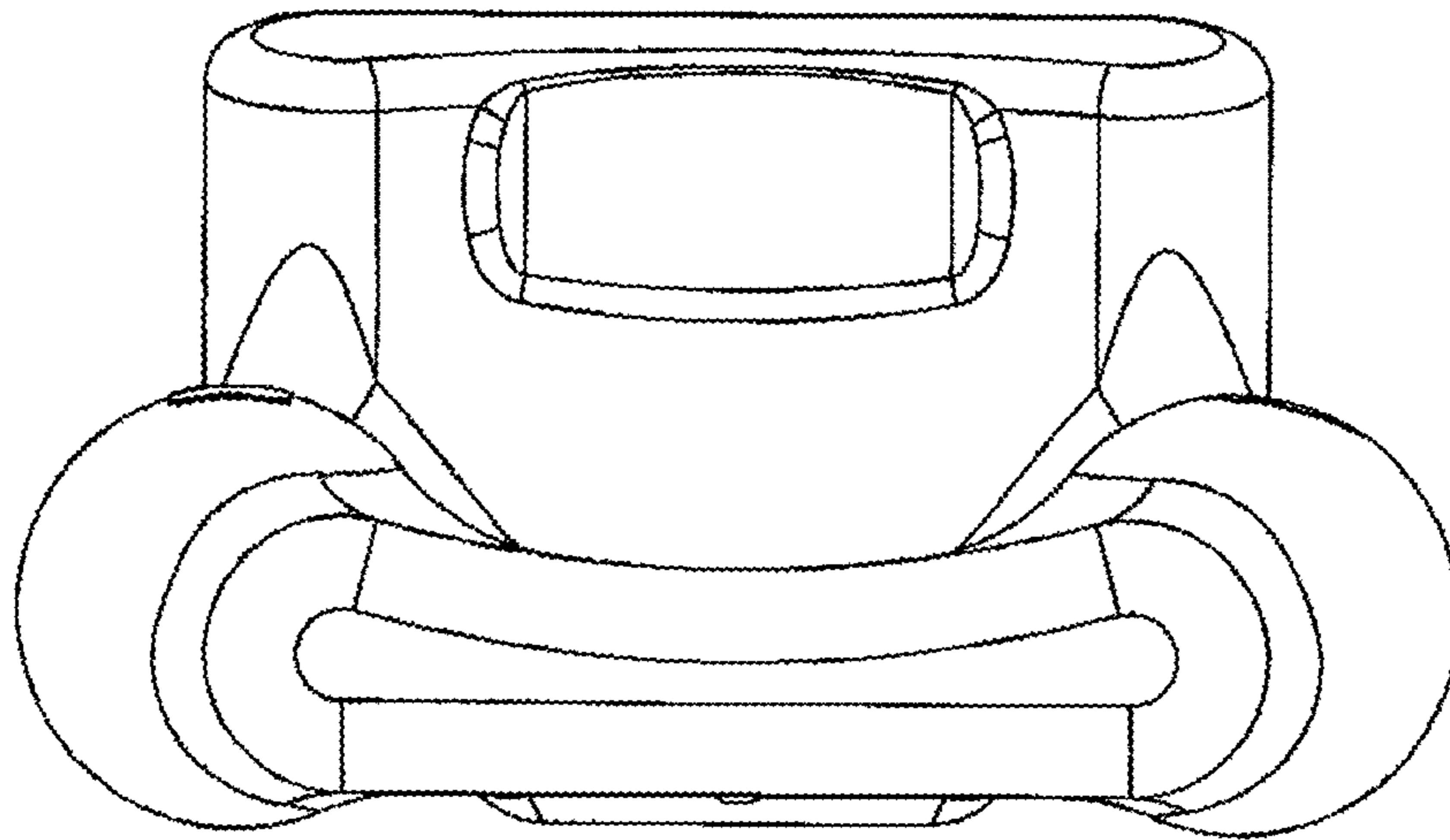


FIGURE 4

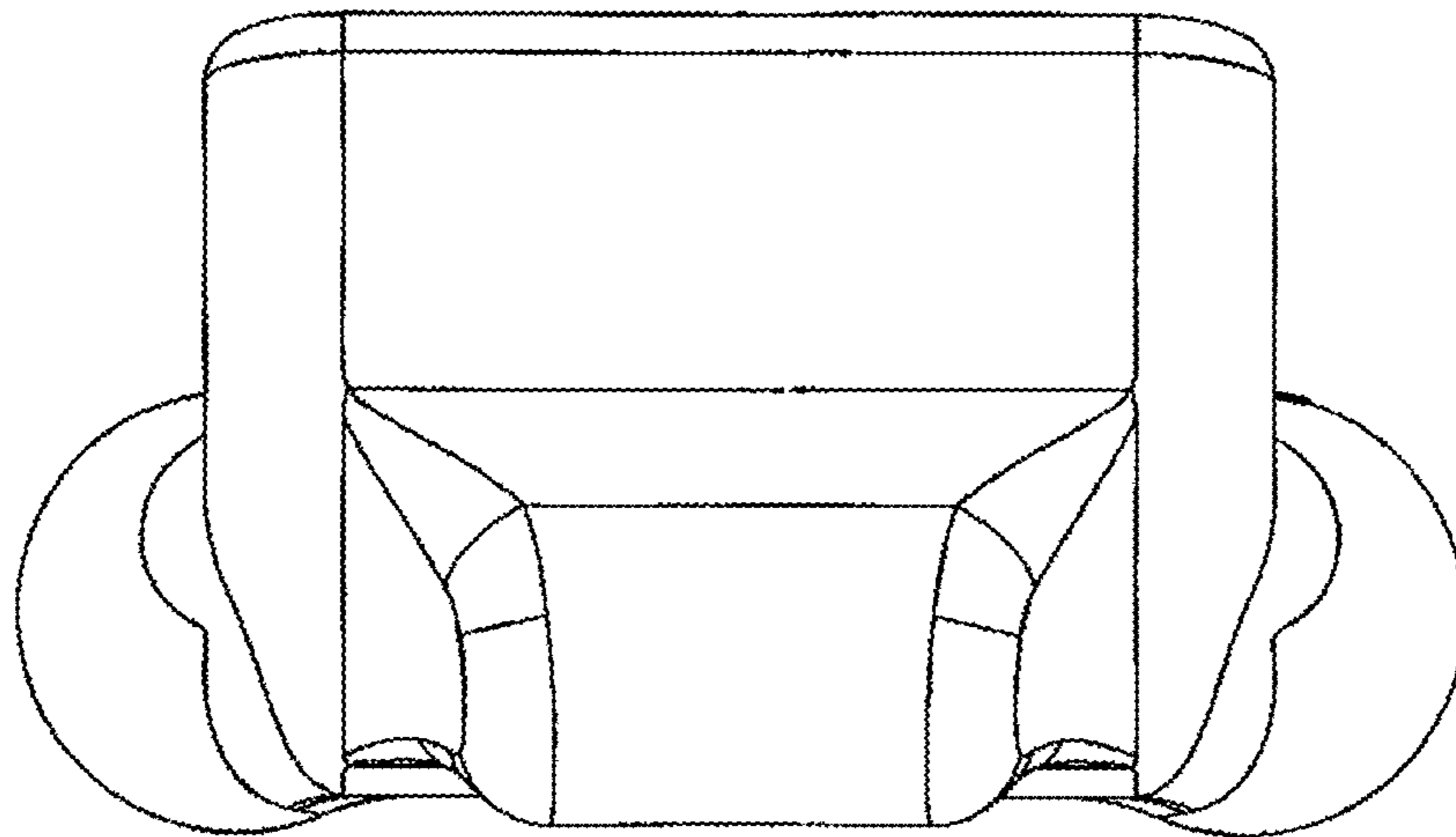


FIGURE 5

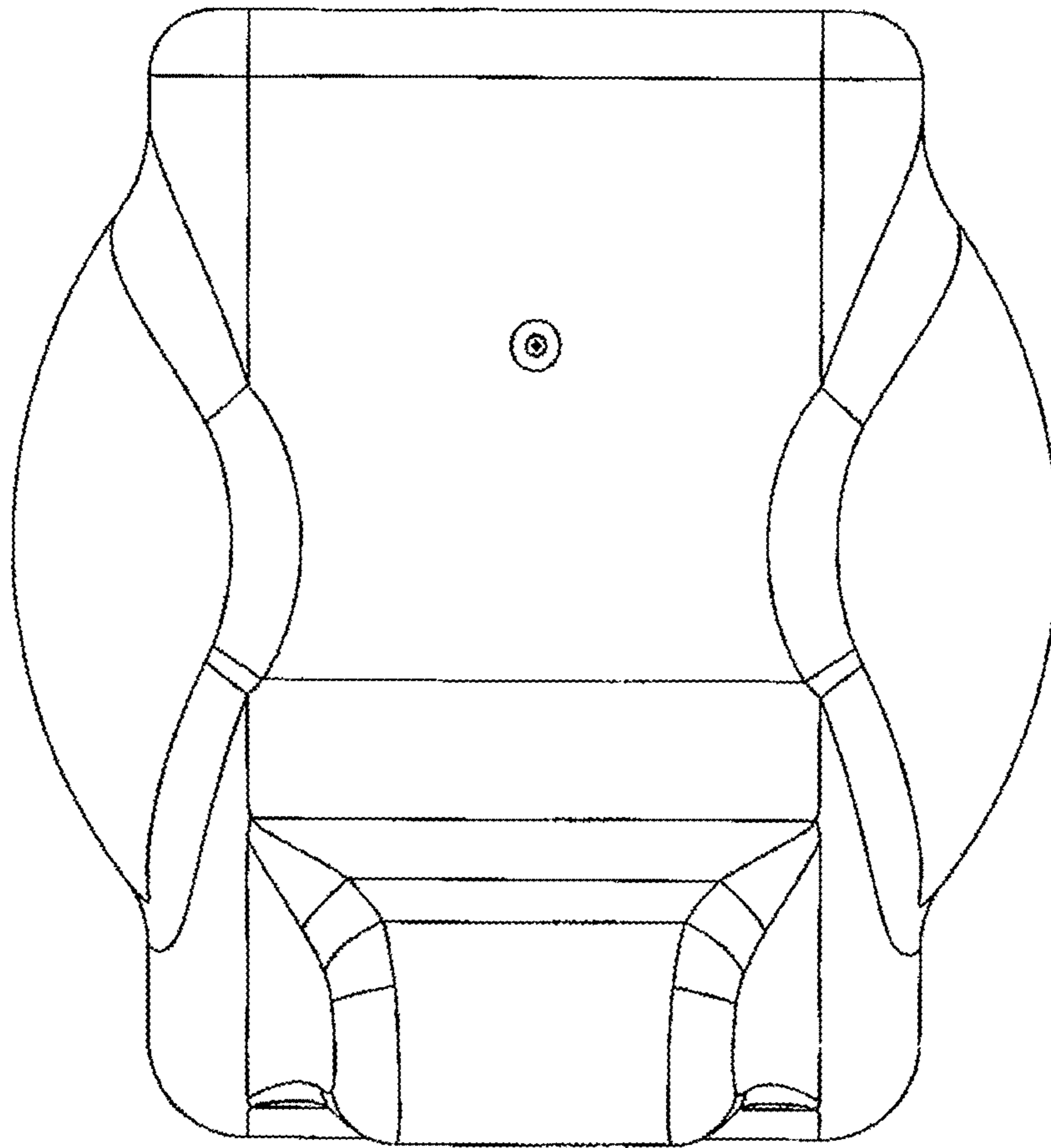


FIGURE 6

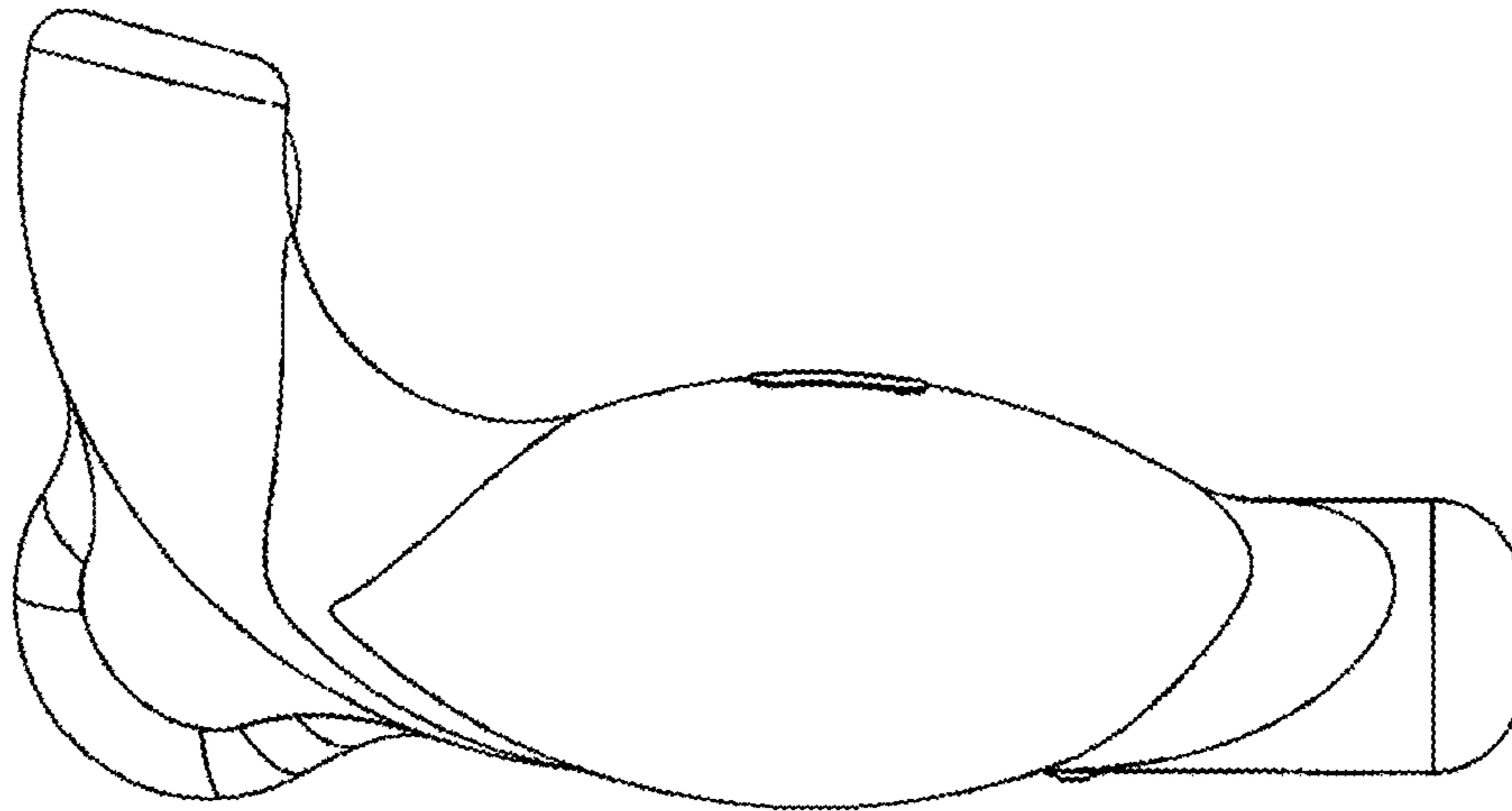


FIGURE 7

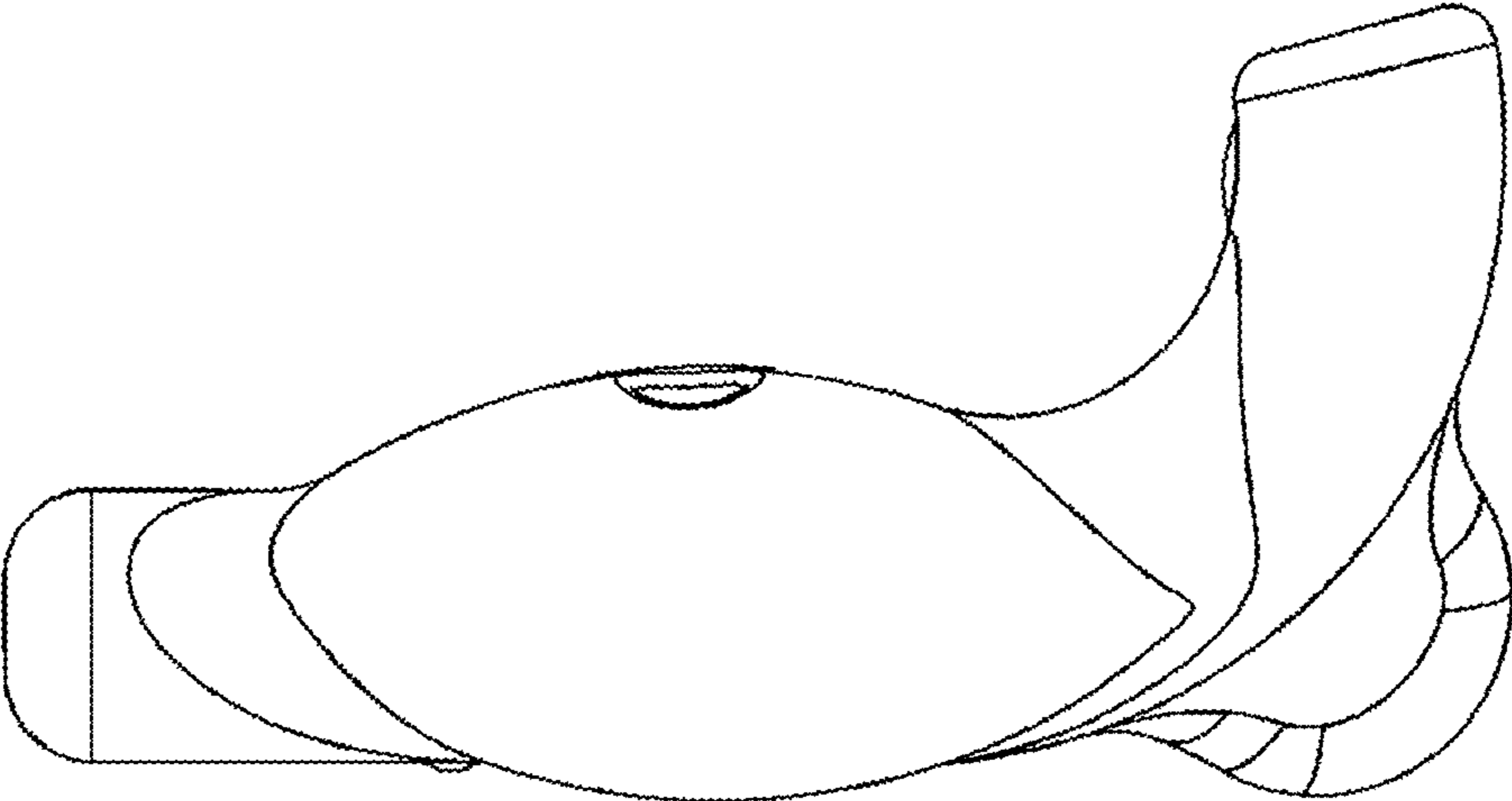


FIGURE 8