

US00D893651S

(12) **United States Design Patent**
Hoffman et al.

(10) **Patent No.:** **US D893,651 S**

(45) **Date of Patent:** **** Aug. 18, 2020**

(54) **GOLF CLUB HEAD**

(71) Applicant: **Taylor Made Golf Company, Inc.**,
Carlsbad, CA (US)

(72) Inventors: **Joseph H. Hoffman**, Carlsbad, CA
(US); **Matthew D. Johnson**, San
Diego, CA (US); **Todd P. Beach**,
Encinitas, CA (US)

(73) Assignee: **Taylor Made Golf Company, Inc.**,
Carlsbad, CA (US)

(**) Term: **15 Years**

(21) Appl. No.: **29/672,911**

(22) Filed: **Dec. 10, 2018**

(51) **LOC (12) Cl.** **21-02**

(52) **U.S. Cl.**
USPC **D21/759**

(58) **Field of Classification Search**
USPC D21/747-751, 759
CPC A63B 53/00; A63B 53/02; A63B 53/04;
A63B 53/047; A63B 53/0475; A63B
2053/0479; A63B 2053/0483; A63B
2053/0445; A63B 60/00; A63B 60/46
See application file for complete search history.

(56) **References Cited**

U.S. PATENT DOCUMENTS

D44,457 S *	8/1913	Taylor, Jr.	D21/751
1,089,881 A *	3/1914	Taylor, Jr.	A63B 53/04 473/328
1,414,124 A *	4/1922	Griffin	A63B 53/04 473/242
1,535,670 A *	4/1925	Kidd	A63B 53/04 473/331
1,835,718 A *	12/1931	Morton	A63B 53/04 473/328
1,854,548 A *	4/1932	Hunt	A63B 53/04 473/329

(Continued)

OTHER PUBLICATIONS

Rick Shiels Golf, published Sep. 18, 2017, *5 Years of Taylormade Golf Drivers Tested!* 2012-2017. Retrieved from www.youtube.com/watch?v=1DnttqbxL-o&t=3s.

(Continued)

Primary Examiner — Mitchell I. Siegel

(74) *Attorney, Agent, or Firm* — Klarquist Sparkman LLP

(57) **CLAIM**

We claim the ornamental design for a golf club head, as shown and described.

DESCRIPTION

FIG. 1 is a perspective view of a golf club head, as viewed from the front, top and one side, according to one embodiment.

FIG. 2 is a front elevation view of a golf club head of FIG. 1.

FIG. 3 is a rear elevation view of the golf club head of FIG. 1.

FIG. 4 is a side elevation view of a toe side of the golf club head of FIG. 1.

FIG. 5 is a side elevation view of a heel side of the golf club head of FIG. 1.

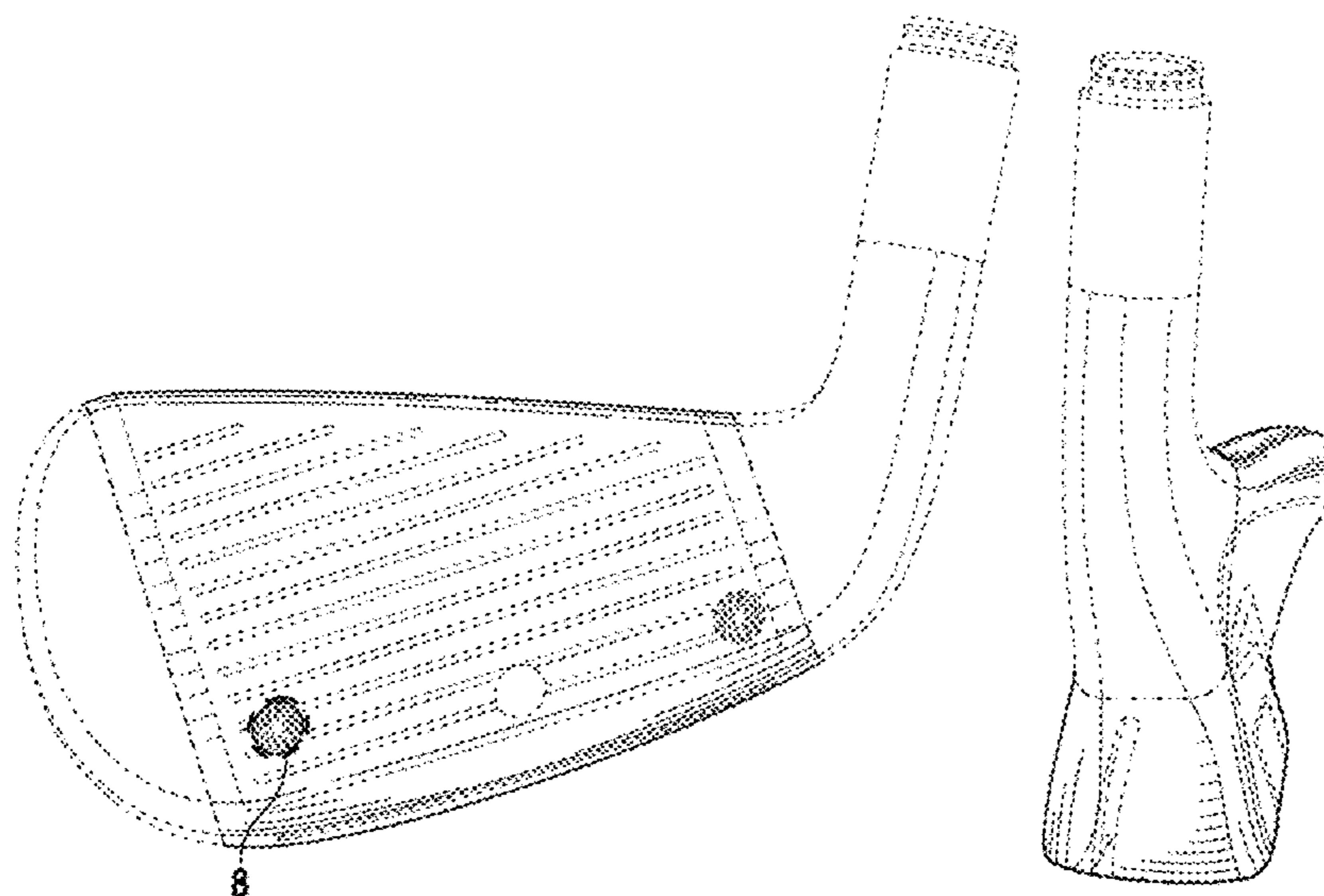
FIG. 6 is a top plan view of the golf club head of FIG. 1.

FIG. 7 is a bottom plan view of the golf club head of FIG. 1; and,

FIG. 8 is an enlarged view of a circular face port shown in FIG. 2, with other face ports being identical thereto except for being shown entirely in dashed lines (including the outer periphery).

The broken lines in the drawings are for purpose of illustrating environmental structure as well as portions of the design that form no part of the present claimed design. The dash-dot broken lines represent the boundary and form no part of the claimed design.

1 Claim, 5 Drawing Sheets



(56)

References Cited

U.S. PATENT DOCUMENTS

1,968,092 A * 7/1934 Oldham A63B 53/04
473/342
1,968,626 A * 7/1934 Young A63B 53/04
473/329
D101,108 S * 9/1936 Ellingham D21/751
D190,034 S * 4/1961 Penna D21/751
D190,430 S * 5/1961 Penna D21/751
D192,366 S * 3/1962 Penna D21/751
D294,617 S * 3/1988 Perkins D21/749
D345,191 S * 3/1994 Inuma D21/748
D357,045 S * 4/1995 Simmons D21/748
D379,485 S * 5/1997 Ragano D21/749
D421,080 S * 2/2000 Chen D21/747
6,077,171 A * 6/2000 Yoneyama A63B 53/04
473/291
D428,458 S * 7/2000 Antonious D21/759
D445,862 S * 7/2001 Ford D21/747
6,398,665 B1 * 6/2002 Antonious A63B 53/04
473/330
6,471,599 B2 * 10/2002 Ford A63B 69/3617
473/242
D470,554 S * 2/2003 Truesdale D21/747
D472,287 S * 3/2003 Truesdale D21/759
6,729,967 B2 * 5/2004 Ford A63B 69/3617
473/242
D523,500 S * 6/2006 Ford D21/747
D534,595 S * 1/2007 Hasebe D21/747
D543,601 S * 5/2007 Kawami D21/759
D555,219 S * 11/2007 Lin D21/759
D618,293 S * 6/2010 Foster D21/747
D722,352 S * 2/2015 Nicolette D21/747
D723,120 S * 2/2015 Nicolette D21/747
8,961,336 B1 * 2/2015 Parsons A63B 53/0475
473/332
D726,265 S * 4/2015 Nicolette D21/747
D746,926 S * 1/2016 Parsons D21/747
D748,214 S * 1/2016 Nicolette D21/747
D748,749 S * 2/2016 Nicolette D21/759

D751,660 S * 3/2016 Greenlaw D21/759
D756,471 S * 5/2016 Nicolette D21/747
9,364,727 B2 * 6/2016 Parsons A63B 53/0475
D764,610 S * 8/2016 Parsons D21/747
D765,809 S * 9/2016 Peterson D21/759
D767,057 S * 9/2016 Mickelson D21/747
9,468,821 B2 * 10/2016 Parsons A63B 53/0466
D773,575 S * 12/2016 Nicolette D21/747
9,533,201 B2 * 1/2017 Parsons A63B 53/0475
9,610,481 B2 * 4/2017 Parsons A63B 53/04
D795,979 S * 8/2017 Parsons D21/759
9,764,208 B1 * 9/2017 Parsons A63B 53/0475
D802,068 S * 11/2017 Parsons D21/747
9,814,952 B2 * 11/2017 Parsons A63B 53/047
D816,787 S * 5/2018 Nicolette D21/747
10,029,159 B2 * 7/2018 Parsons A63B 60/54
D825,891 S * 8/2018 Parsons D2/747
D827,065 S * 8/2018 Nicolette D21/747
10,052,533 B1 * 8/2018 Kuc A63B 53/0466
D835,737 S * 12/2018 Parsons D21/747
10,232,235 B2 * 3/2019 Parsons A63B 60/54
10,265,590 B2 * 4/2019 Parsons A63B 60/02
10,286,267 B2 * 5/2019 Nicolette A63B 53/0475
D852,302 S * 6/2019 Parsons D21/747
D856,451 S * 8/2019 Parsons D21/747
D858,667 S * 9/2019 Marukawa D21/747
D863,478 S * 10/2019 Parsons D21/747
10,449,428 B2 * 10/2019 Parsons A63B 53/047
10,478,684 B2 * 11/2019 Parsons A63B 53/047
10,512,829 B2 * 12/2019 Parsons A63B 53/047
2015/0231454 A1 * 8/2015 Parsons A63B 53/0475
473/335
2015/0231806 A1 * 8/2015 Parsons A63B 53/0475
264/261

OTHER PUBLICATIONS

Rick Shiels Golf, published Dec. 2, 2014, *What is a GC2 and HMT Launch Monitor?*. Retrieved from www.youtube.com/watch?v=d2vwnjMNvo0.

* cited by examiner

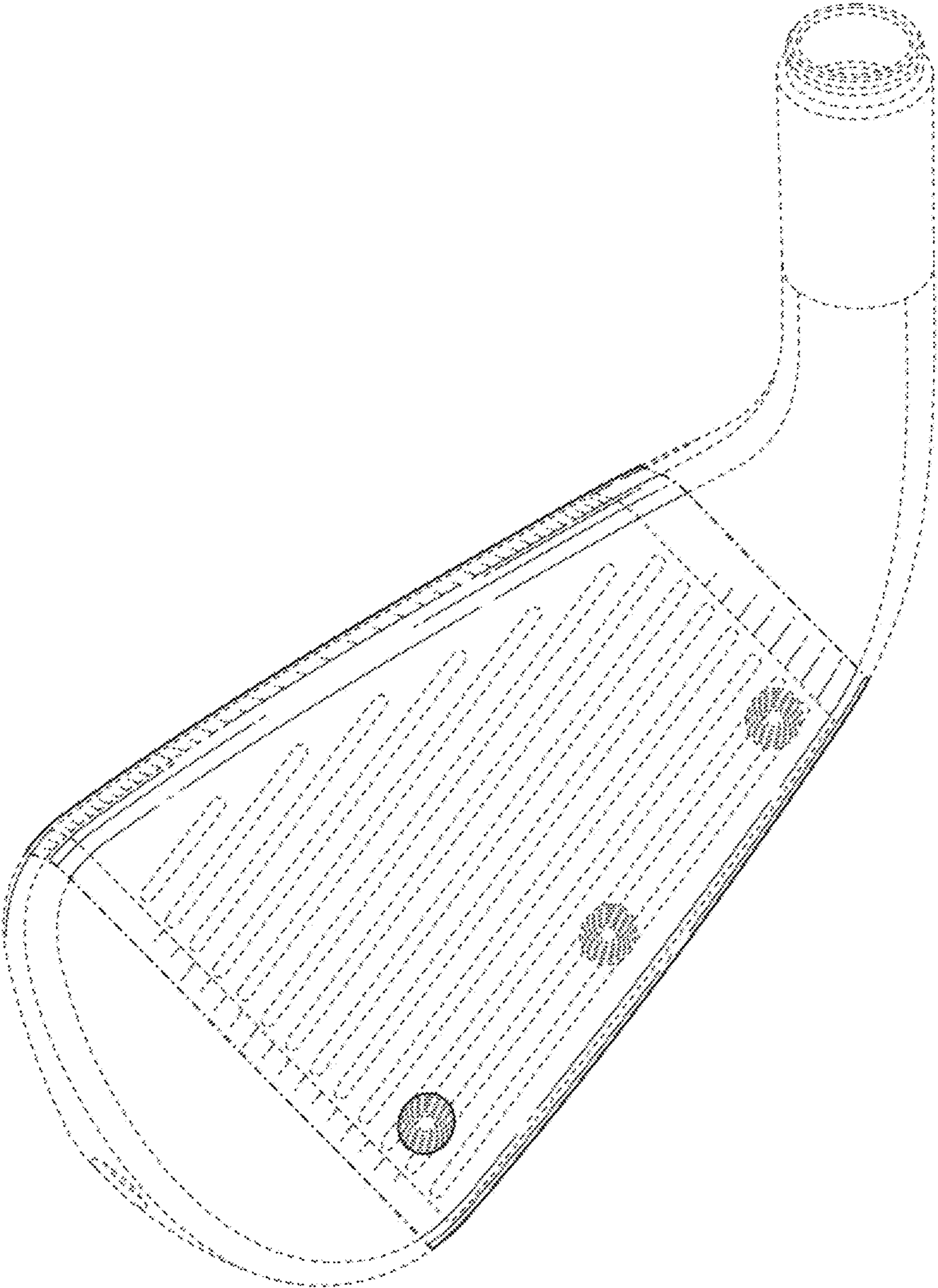


FIG. 1

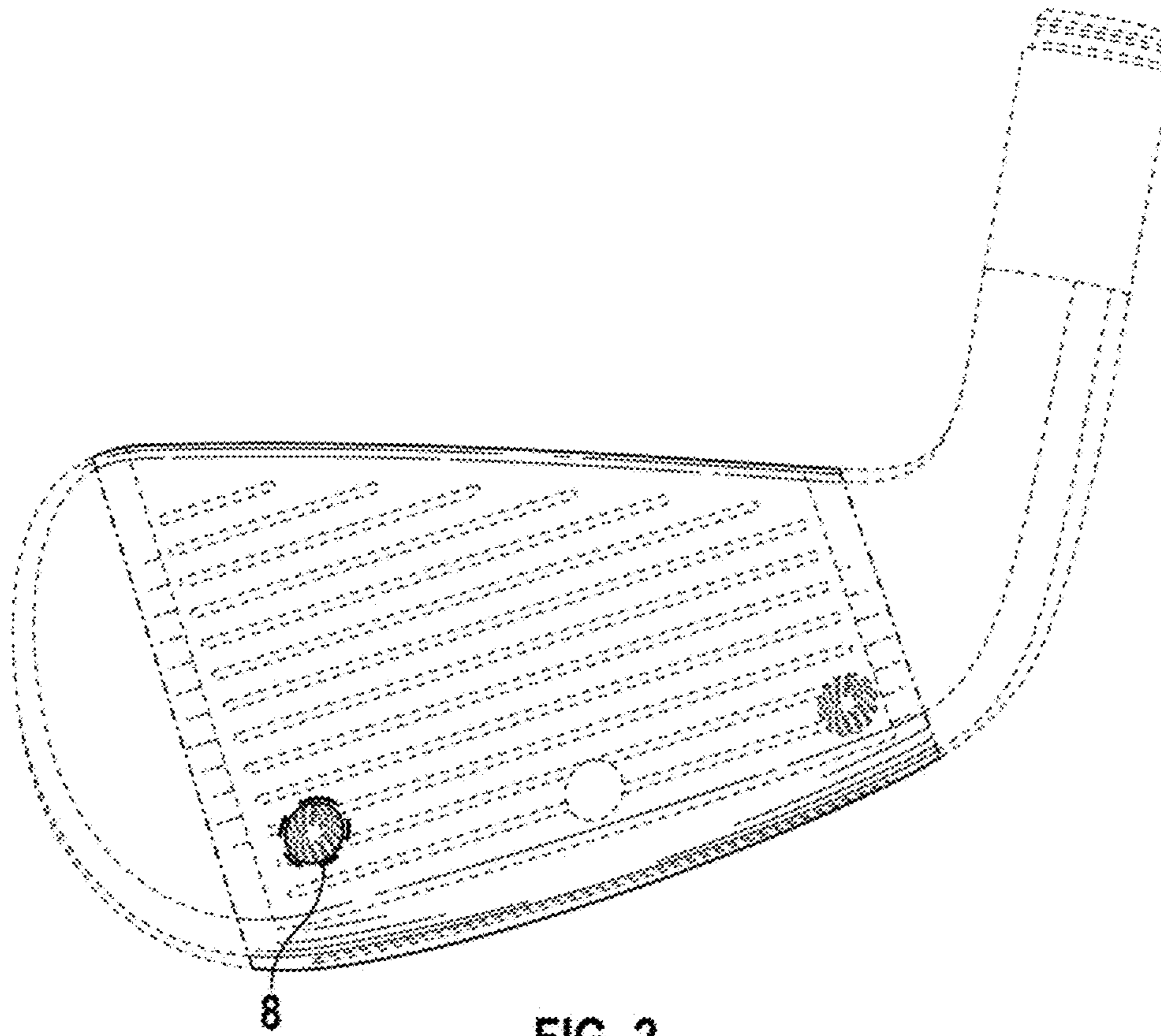


FIG. 2

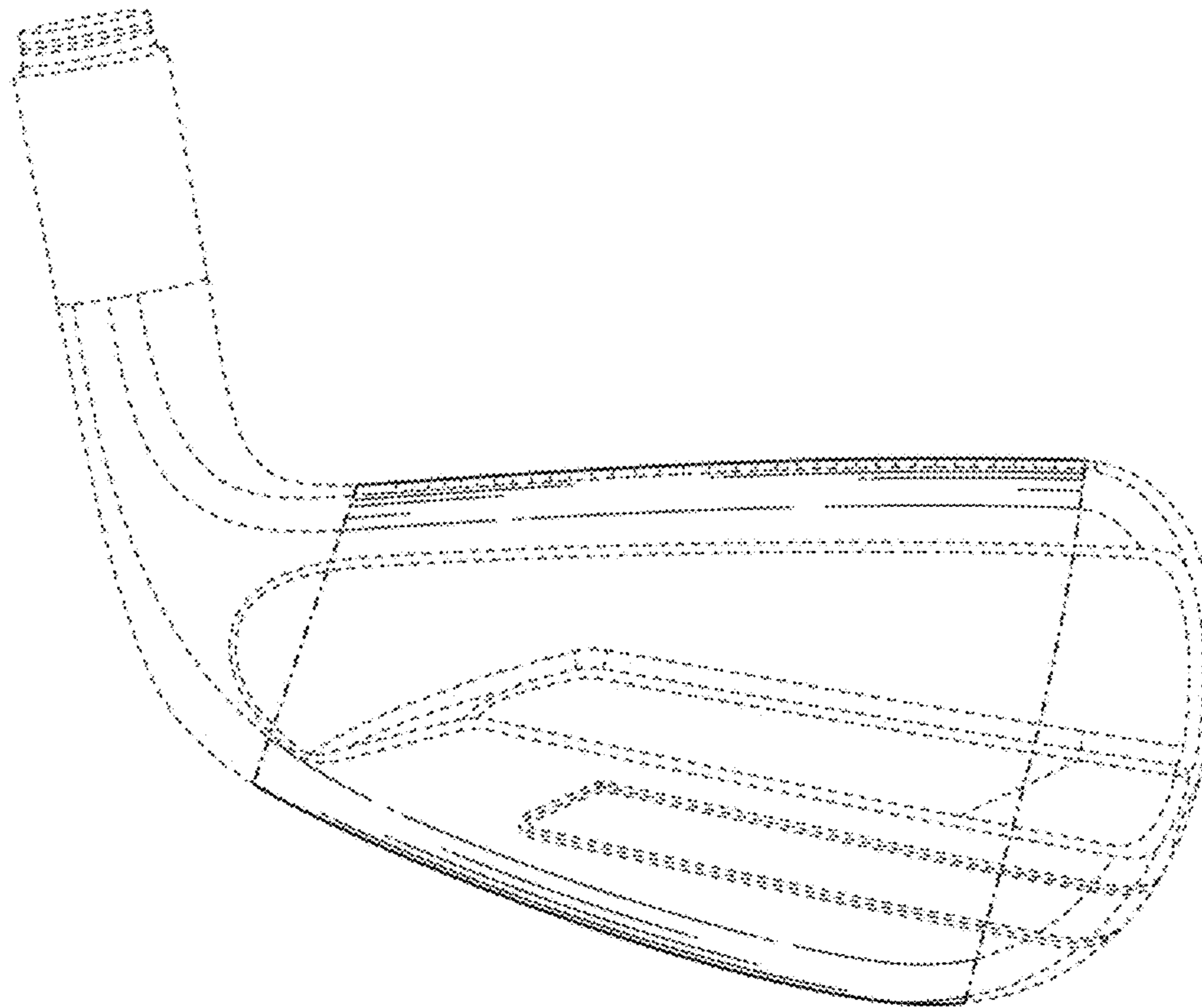


FIG. 3

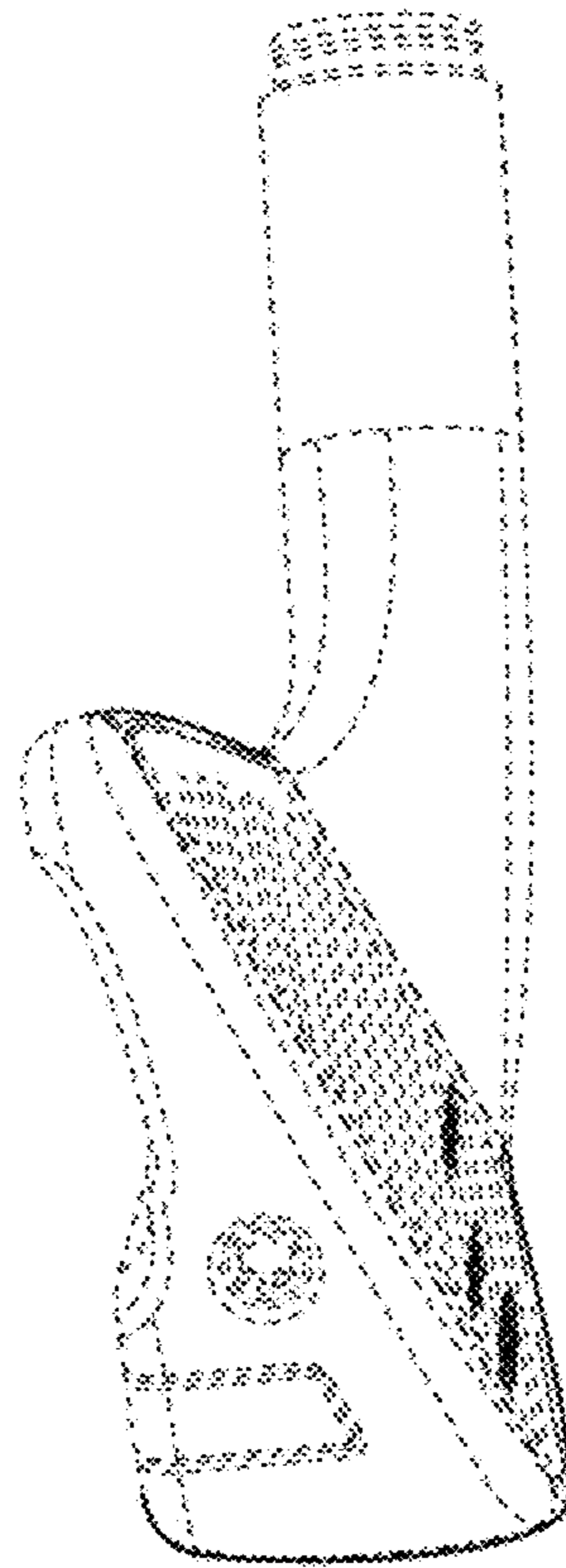


FIG. 4

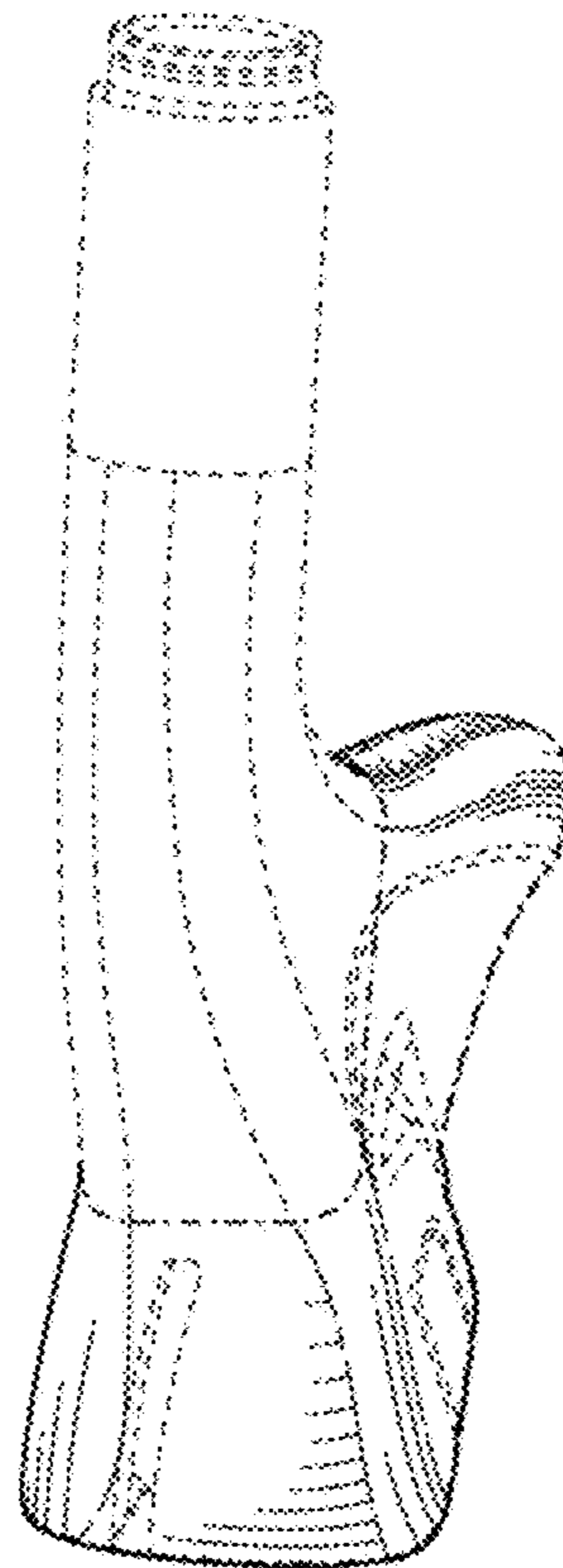


FIG. 5

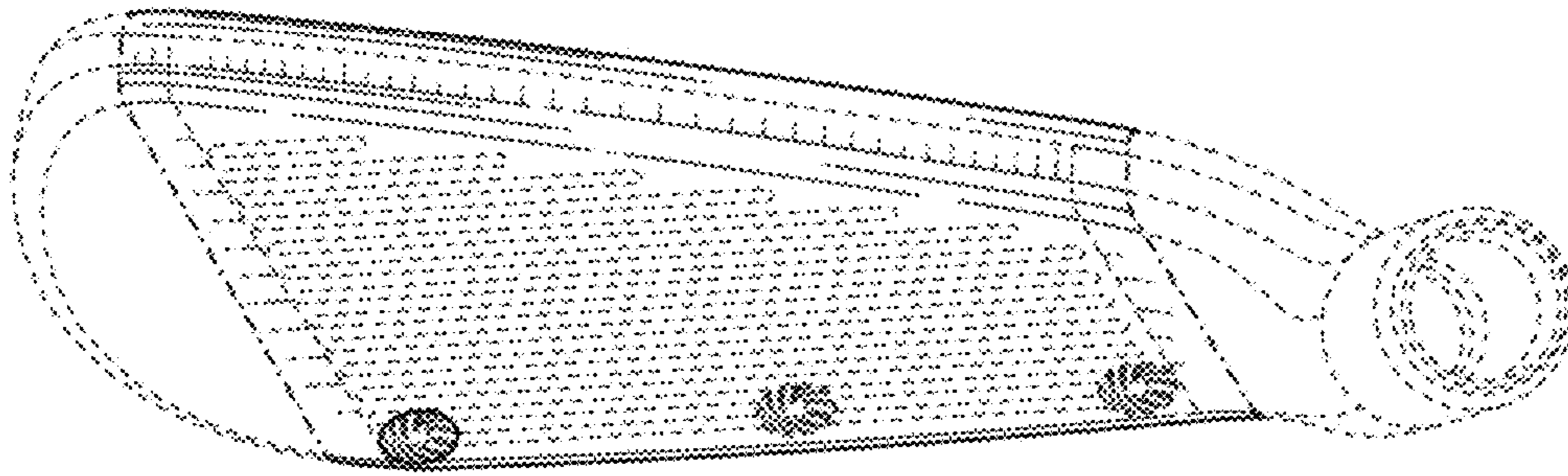


FIG. 6

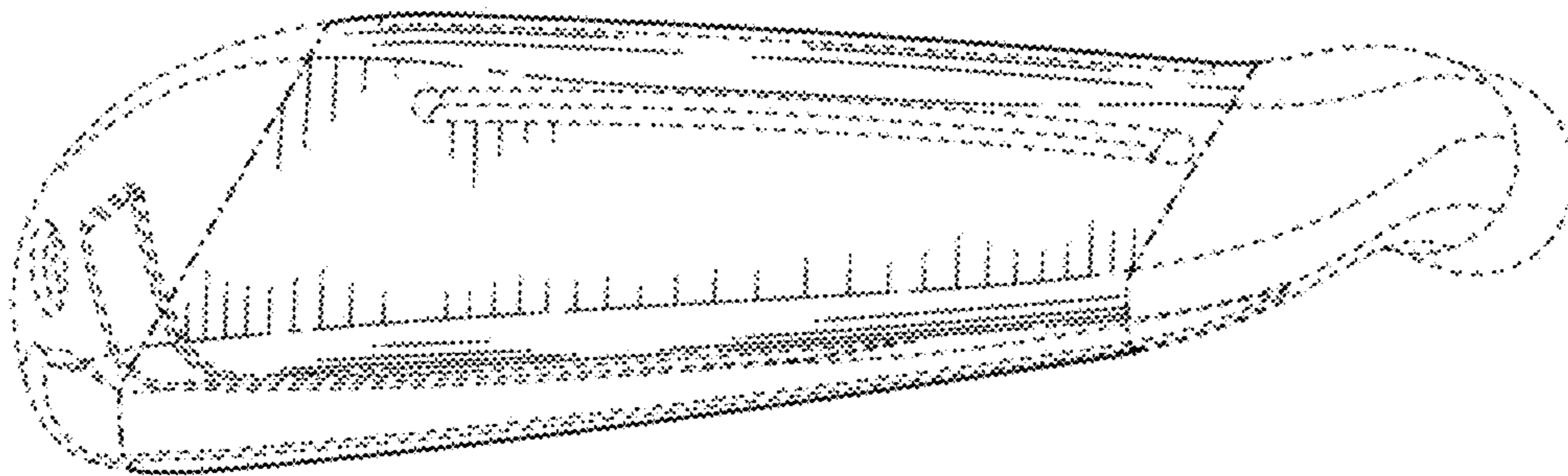


FIG. 7

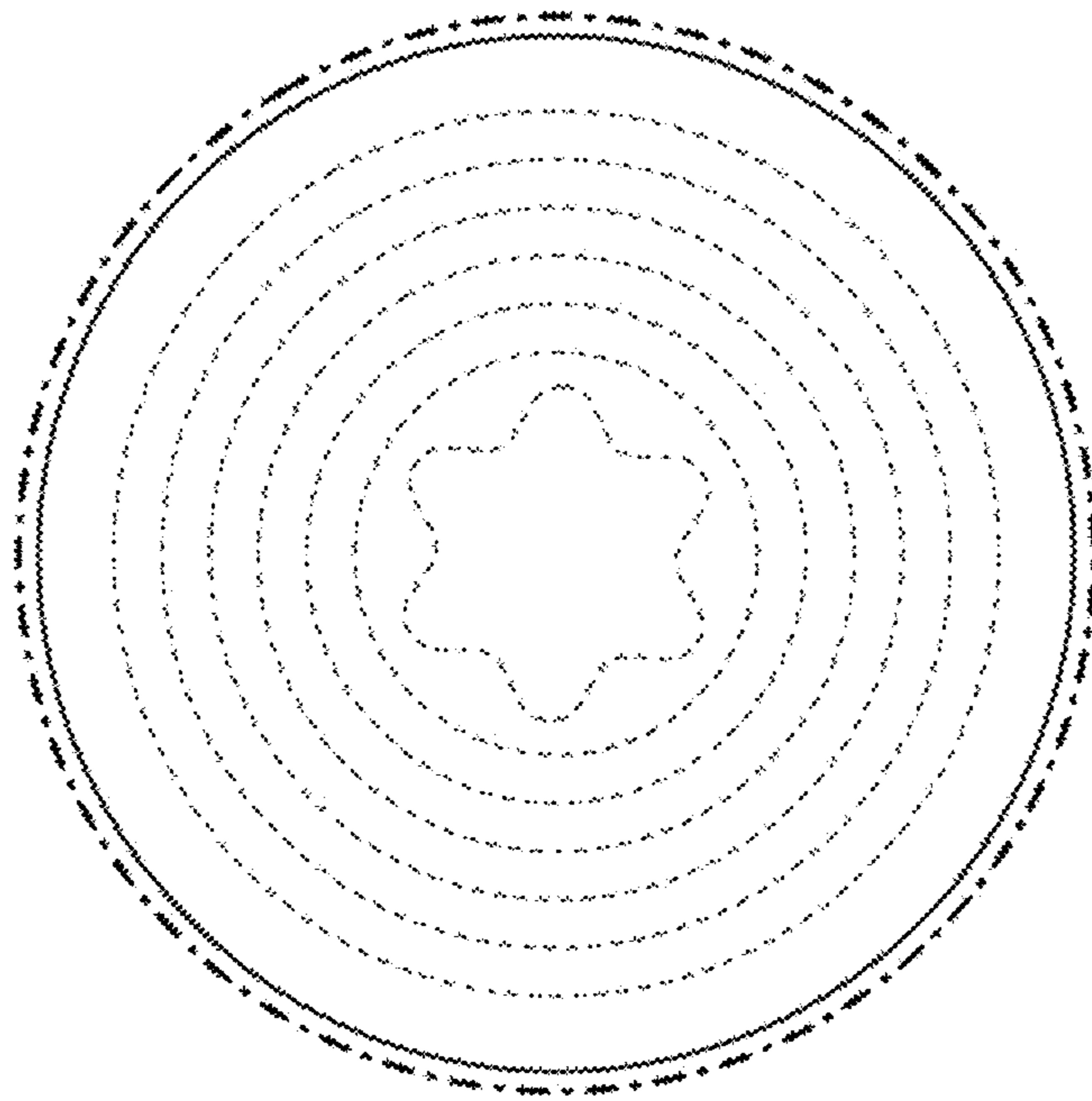


FIG. 8