



US00D893648S

(12) **United States Design Patent** (10) **Patent No.:** **US D893,648 S**
Parsons et al. (45) **Date of Patent:** **** Aug. 18, 2020**

(54) **GOLF CLUB HEAD**

(56) **References Cited**

(71) Applicant: **PARSONS XTREME GOLF, LLC**,
Scottsdale, AZ (US)

(72) Inventors: **Robert R. Parsons**, Scottsdale, AZ
(US); **Michael R. Nicolette**, Scottsdale,
AZ (US); **Bradley D. Schweigert**,
Anthem, AZ (US)

(73) Assignee: **PARSONS XTREME GOLF, LLC**,
Scottsdale, AZ (US)

(**) Term: **15 Years**

(21) Appl. No.: **29/679,960**

(22) Filed: **Feb. 12, 2019**

U.S. PATENT DOCUMENTS

1,133,129 A	3/1915	Govan	
D164,469 S	9/1951	Behrendt	
D164,597 S	9/1951	Penna	D21/751
3,020,048 A	2/1962	Carroll	
D203,936 S	3/1966	Long	
D215,101 S	9/1969	Sabat	
D234,963 S	4/1975	Yutaka	
D239,550 S	4/1976	Timbrook	
D240,054 S	5/1976	Meissler	
D244,792 S	6/1977	Gelinas	
D250,136 S	10/1978	Gelinas	
D261,167 S	10/1981	Swanson	
D294,617 S	3/1988	Perkins	
4,754,977 A	7/1988	Sahm	
4,824,116 A	4/1989	Nagamoto	
4,988,104 A	1/1991	Shiotani	
5,158,296 A	10/1992	Lee	
5,176,384 A	1/1993	Sata	
5,213,328 A	5/1993	Long	
D336,672 S	6/1993	Gorman	
D353,862 S	12/1994	Saito	
D357,520 S	4/1995	Helmstetter et al.	
5,419,560 A	5/1995	Bamber	
5,425,535 A	6/1995	Gee	
D361,358 S	8/1995	Simmons	
5,447,311 A	9/1995	Viollaz	
5,451,056 A	9/1995	Manning	
D362,884 S	10/1995	Blough et al.	
D362,885 S	10/1995	Blough et al.	
D362,887 S	10/1995	Blough et al.	
D370,514 S	6/1996	Blough et al.	
5,540,437 A	7/1996	Bamber	
D379,106 S	5/1997	Maltby	
5,637,045 A	6/1997	Igarashi	
5,669,830 A	9/1997	Bamber	
D389,540 S	1/1998	Mendenhall	
D389,541 S	1/1998	Huan-Chiang	
D395,476 S	6/1998	Pond et al.	
5,766,091 A	6/1998	Humphrey	
5,766,092 A	6/1998	Mimeur	
D399,277 S	10/1998	Exaki	
5,827,132 A	10/1998	Bamber	
D408,485 S	4/1999	Takahashi et al.	
5,899,821 A	5/1999	Hsu	
5,935,016 A	8/1999	Antonious	
D414,535 S	9/1999	Mertens	
D421,080 S	2/2000	Chen	
D426,276 S	6/2000	Besnard	D21/747
D426,476 S	6/2000	Goss	

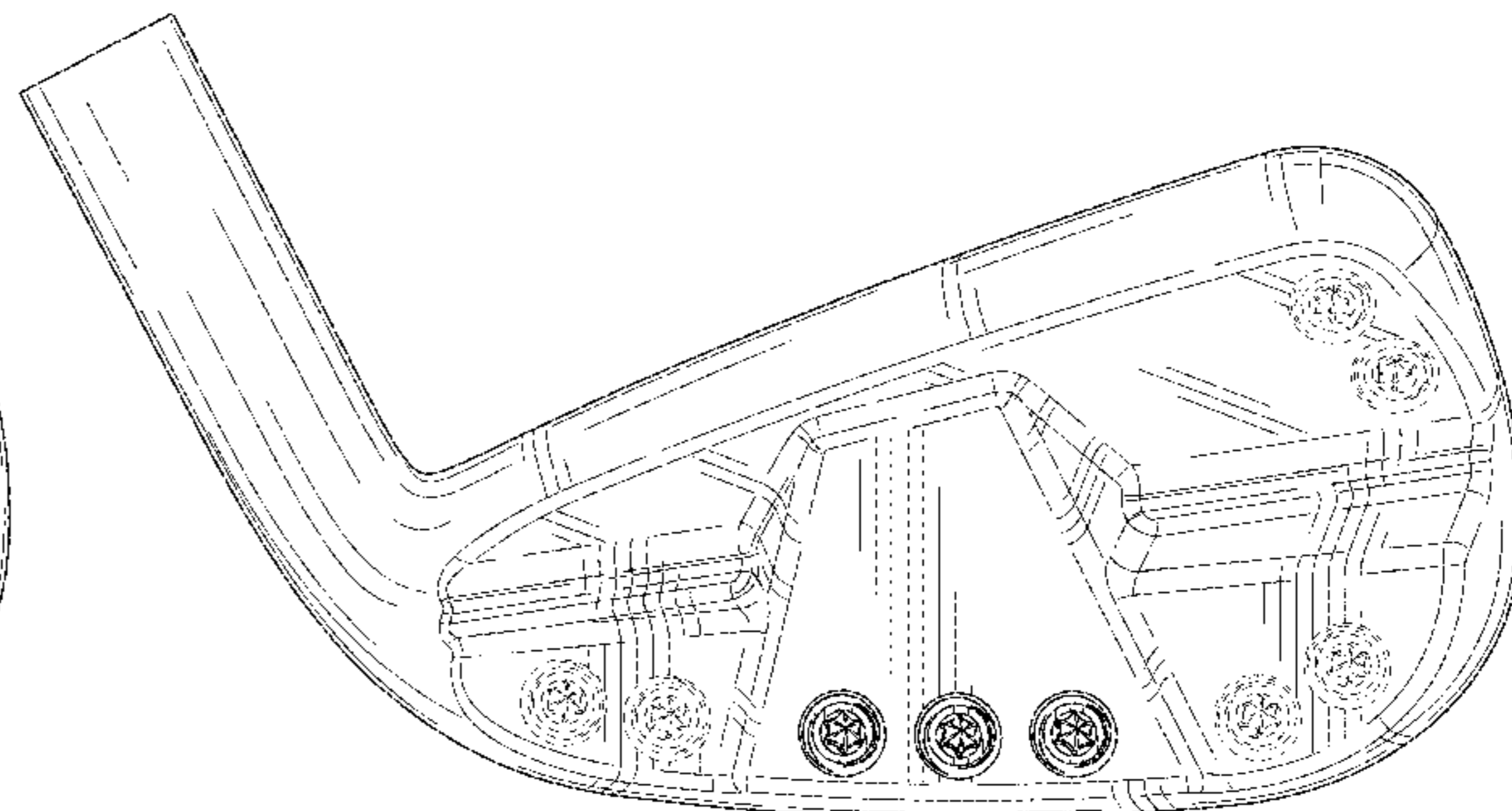
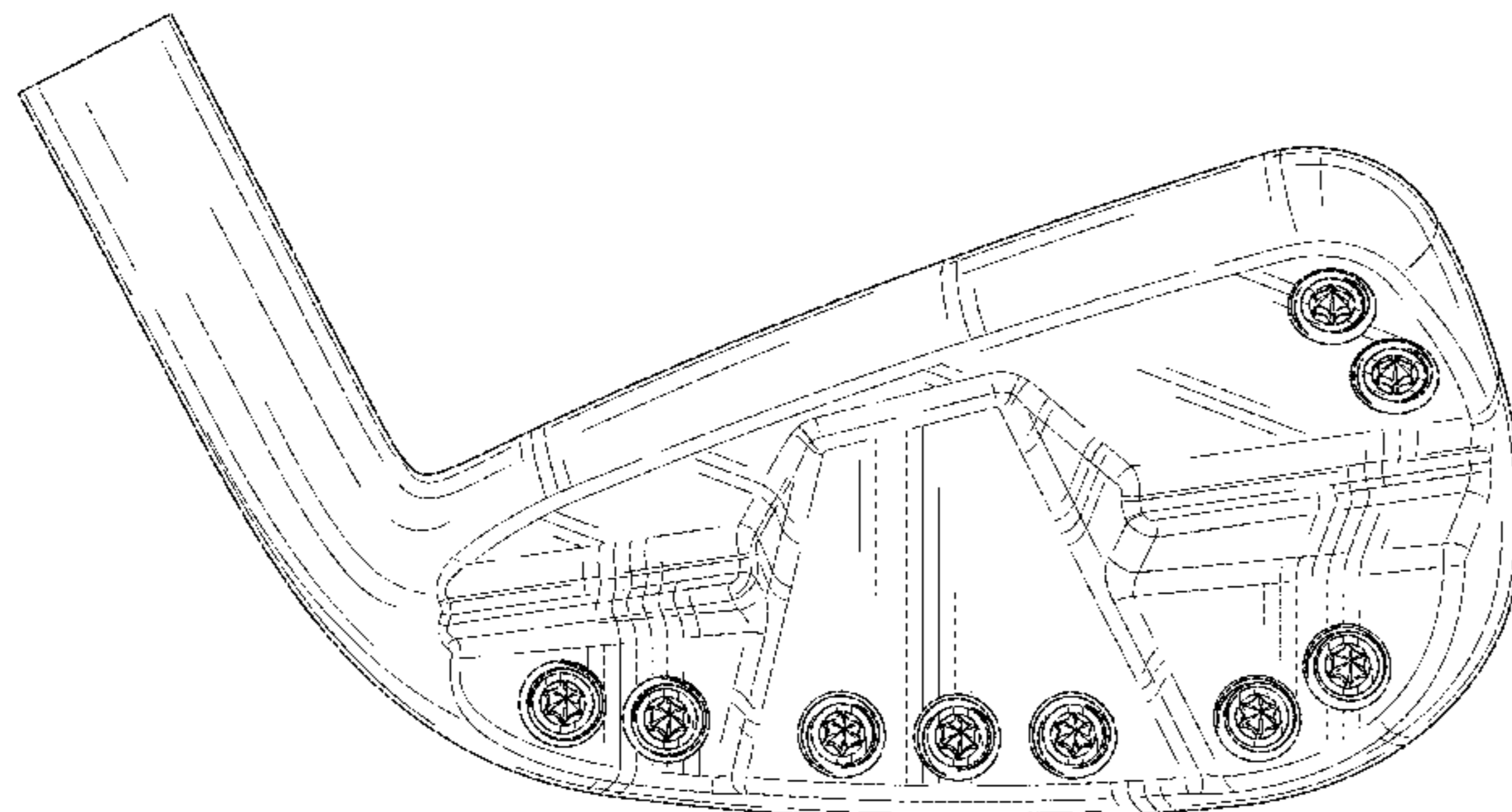
Related U.S. Application Data

(63) Continuation-in-part of application No. 29/671,747, filed on Nov. 29, 2018, now abandoned, which is a continuation-in-part of application No. 29/670,876, filed on Nov. 20, 2018, now abandoned, which is a continuation-in-part of application No. 29/670,459, filed on Nov. 15, 2018, now abandoned, which is a continuation-in-part of application No. 29/669,367, filed on Nov. 7, 2018, now abandoned, which is a continuation-in-part of application No. 29/665,176, filed on Oct. 1, 2018, now Pat. No. Des. 852,302, which is a continuation-in-part of application No. 29/657,820, filed on Jul. 25, 2018, now abandoned.

(51) **LOC (12) Cl.** **21-02**

(52) **U.S. Cl.**
USPC **D21/747**

(58) **Field of Classification Search**
USPC D21/747-751, 759
CPC A63B 53/00; A63B 53/02; A63B 53/04;
A63B 53/047; A63B 53/0475; A63B
2053/0479; A63B 2053/0483; A63B
2053/0445; A63B 60/00; A63B 60/46
See application file for complete search history.



US D893,648 S

Page 2

6,077,171 A *	6/2000	Yoneyama	A63B 53/04 473/291	D572,329 S	7/2008	Nicolette et al.	
				D573,219 S	7/2008	Schweigert et al.	
D442,659 S	5/2001	Kubica et al.		7,396,299 B2	7/2008	Nicolette	
D443,008 S	5/2001	Kubica et al.		7,413,518 B2	8/2008	Cole	
D445,862 S	7/2001	Ford		D577,783 S	9/2008	Schweigert et al.	
6,290,609 B1	9/2001	Takeda		D578,590 S	10/2008	Schweigert et al.	
D449,866 S	10/2001	Miller		D581,000 S	11/2008	Nicolette et al.	
D457,211 S	5/2002	Bakke		D581,004 S	11/2008	Chen	
D458,328 S	6/2002	Solheim et al.		D584,370 S	1/2009	Cleveland et al.	
D469,833 S	2/2003	Roberts et al.		D585,103 S	1/2009	Foster et al.	
D473,605 S	4/2003	Petersen et al.		D586,414 S	2/2009	Foster et al.	
D475,107 S	5/2003	Madore		D587,327 S	2/2009	Ines et al.	
D476,048 S	6/2003	Cleveland et al.		D594,518 S	6/2009	Schweigert	
D478,949 S	8/2003	DeLaCruz		D596,256 S	7/2009	Schweigert et al.	
6,638,182 B2	10/2003	Kosmatka		D596,257 S	7/2009	Jertson et al.	
6,695,714 B1	2/2004	Bliss		D596,258 S	7/2009	Jertson	
6,702,693 B2	3/2004	Bamber		D596,688 S	7/2009	Chen	
D488,201 S	4/2004	Wahl et al.		D597,158 S	7/2009	Schweigert et al.	
D492,376 S	6/2004	Nicolette et al.		7,588,502 B2	9/2009	Nishino	
D494,240 S	8/2004	Schweigert		7,601,075 B2	10/2009	Cole	
D494,648 S	8/2004	Schweigert		D601,216 S	11/2009	Jertson et al.	
6,780,123 B2	8/2004	Hasebe		D604,783 S	11/2009	Nicolette et al.	
D497,963 S	11/2004	Toulon et al.		7,611,424 B2	11/2009	Nagai	
6,811,496 B2	11/2004	Wahl		D606,605 S	12/2009	Wada et al.	
D499,779 S	12/2004	Mahaffey et al.		D607,070 S	12/2009	Wada et al.	
D500,350 S	12/2004	Schweigert		D607,071 S	12/2009	Wada et al.	
D500,351 S	12/2004	Schweigert		7,658,686 B2	2/2010	Soracco	
D502,237 S	2/2005	Schweigert		D612,438 S	3/2010	Carlyle et al.	
D502,975 S	3/2005	Schweigert et al.		D612,439 S	3/2010	Carlyle et al.	
D503,204 S	3/2005	Nicolette et al.		D617,406 S	6/2010	Carlyle et al.	
D504,925 S	5/2005	Schweigert		D618,293 S	6/2010	Foster et al.	
D505,171 S	5/2005	Schweigert et al.		7,736,243 B2	6/2010	Sanchez	
D507,320 S	7/2005	Roberts et al.		7,744,484 B1	6/2010	Chao	
D507,614 S	7/2005	Schweigert		D621,893 S	8/2010	Nicolette et al.	
D508,099 S	8/2005	Schweigert et al.		D621,894 S	8/2010	Schweigert	
D508,545 S	8/2005	Roberts et al.		D621,895 S	8/2010	Schweigert et al.	
6,923,733 B2	8/2005	Chen		7,798,917 B2	9/2010	Nguyen	
D514,183 S	1/2006	Schweigert et al.		7,815,521 B2	10/2010	Ban	
D516,650 S	3/2006	Wolfe et al.		D627,409 S	11/2010	Schweigert et al.	
D518,863 S	4/2006	Motoyoshi et al.		D627,410 S	11/2010	Nicolette et al.	
D523,501 S	6/2006	Nicolette et al.		7,846,040 B2	12/2010	Ban	
D523,917 S	6/2006	Wolfe et al.		D633,159 S	2/2011	Holt et al.	
D524,889 S	7/2006	Yu et al.		D633,967 S	3/2011	Carlyle et al.	
D530,759 S	10/2006	Nicolette et al.		D635,627 S	4/2011	Nicolette	
D530,760 S	10/2006	Schweigert et al.		7,938,738 B2	5/2011	Roach	
7,121,956 B2	10/2006	Lo		D642,642 S	8/2011	Jertson et al.	
7,128,663 B2	10/2006	Bamber		D643,488 S	8/2011	Holt et al.	
D531,688 S	11/2006	Frame et al.		D643,490 S	8/2011	Wada et al.	
D532,849 S	11/2006	Nicolette et al.		D643,491 S	8/2011	Stokke et al.	
D534,228 S	12/2006	Nicolette et al.		D643,492 S	8/2011	Nicolette et al.	
D534,595 S	1/2007	Hasebe		D643,895 S	8/2011	Wieland	
D534,597 S	1/2007	Nicolette et al.		D643,896 S	8/2011	Jertson et al.	
7,156,751 B2	1/2007	Wahl		D647,582 S	10/2011	Nicolette et al.	
D536,759 S	2/2007	Schweigert et al.		D647,984 S *	11/2011	Atwell D21/747	
D537,494 S	2/2007	Jertson et al.		D649,211 S	11/2011	Jertson et al.	
7,182,698 B2	2/2007	Tseng		8,062,150 B2	11/2011	Gilbert	
D538,366 S	3/2007	Nicolette et al.		D651,268 S	12/2011	Nicolette et al.	
D539,864 S	4/2007	Nicolette et al.		8,088,025 B2	1/2012	Wahl	
D540,898 S	4/2007	Solheim et al.		8,092,319 B1	1/2012	Cackett	
D541,360 S	4/2007	Schweigert et al.		8,105,180 B1	1/2012	Cackett	
7,207,900 B2	4/2007	Nicolette		8,142,307 B2	3/2012	Sanchez	
D543,601 S	5/2007	Kawami		D658,248 S	4/2012	Nunez et al.	
D544,056 S	6/2007	Nicolette et al.		8,221,262 B1	7/2012	Cackett	
D547,410 S	7/2007	Nicolette et al.		8,246,487 B1	8/2012	Cackett	
D555,219 S	11/2007	Lin		D670,775 S	11/2012	Jertson et al.	
7,303,486 B2	12/2007	Imamoto		D672,417 S	12/2012	Jertson et al.	
D559,932 S	1/2008	Belmont		8,328,662 B2	12/2012	Nakamura	
D561,855 S	2/2008	Schweigert et al.		D673,633 S	1/2013	Jertson et al.	
D562,925 S	2/2008	Schweigert et al.		D673,634 S	1/2013	Jertson et al.	
7,351,164 B2	4/2008	Schweigert		8,376,878 B2	2/2013	Bennett	
D570,435 S	6/2008	Sanchez et al.		D680,603 S	4/2013	Nicolette et al.	
D570,935 S	6/2008	Nicolette et al.		D681,142 S	4/2013	Fossum et al.	
D570,936 S	6/2008	Schweigert et al.		D681,143 S	4/2013	Nicolette et al.	
D570,942 S	6/2008	Chen et al.		8,414,422 B2	4/2013	Peralta	
D571,422 S	6/2008	Schweigert et al.		8,506,420 B2	8/2013	Hocknell	
D571,425 S	6/2008	Chen et al.		8,545,343 B2	10/2013	Boyd	
D571,427 S	6/2008	Schweigert et al.		8,574,094 B2	11/2013	Nicolette	
D571,881 S	6/2008	Nicolette et al.		8,657,700 B2	2/2014	Nicolette	
D572,326 S	7/2008	Schweigert et al.		8,663,026 B2	3/2014	Blowers	

8,690,710	B2	4/2014	Nicolette	
D707,316	S	6/2014	Aguayo et al.	
D707,317	S	6/2014	Aguayo et al.	
8,753,230	B2	6/2014	Stokke	
D708,688	S	7/2014	Nicolette et al.	
8,827,832	B2	9/2014	Breier	
8,827,833	B2	9/2014	Amano	
8,845,455	B2	9/2014	Ban	
D716,387	S	10/2014	Aguayo et al.	
D716,388	S	10/2014	Aguayo et al.	
D716,391	S *	10/2014	Roche	D21/759
D719,627	S *	12/2014	Wieland	D21/759
D722,352	S *	2/2015	Nicolette	D21/747
D723,120	S *	2/2015	Nicolette	D21/747
8,961,336	B1 *	2/2015	Parsons	A63B 53/0475 473/332
D726,265	S *	4/2015	Nicolette	D21/747
9,199,143	B1	12/2015	Parsons	
D746,926	S *	1/2016	Parsons	D21/747
D748,214	S *	1/2016	Nicolette	D21/747
D748,749	S *	2/2016	Nicolette	D21/759
D756,471	S *	5/2016	Nicolette	D21/747
9,345,938	B2 *	5/2016	Parsons	A63B 53/0475
D764,610	S *	8/2016	Parsons	D21/747
9,421,437	B2	8/2016	Parsons	
9,427,634	B2	8/2016	Parsons	
9,468,821	B2 *	10/2016	Parsons	A63B 53/0466
D773,575	S *	12/2016	Nicolette	D21/747
9,533,201	B2 *	1/2017	Parsons	A63B 53/0475
9,610,481	B2 *	4/2017	Parsons	A63B 53/04
9,649,542	B2 *	5/2017	Nicolette	A63B 53/047
D795,979	S *	8/2017	Parsons	D21/759
9,764,208	B1 *	9/2017	Parsons	A63B 53/0475
D802,068	S *	11/2017	Parsons	D21/747
D816,787	S *	5/2018	Nicolette	D21/747
D825,891	S *	8/2018	Parsons	D2/747
D827,065	S *	8/2018	Nicolette	D21/747
D835,737	S *	12/2018	Parsons	D21/747
D852,302	S *	6/2019	Parsons	D21/747
D856,451	S *	8/2019	Parsons	D21/747
D863,478	S *	10/2019	Parsons	D21/747
2002/0107087	A1	8/2002	Fagot	
2003/0139226	A1	7/2003	Cheng	
2003/0176231	A1	9/2003	Hasebe	
2004/0204263	A1	10/2004	Fagot	
2005/0009632	A1	1/2005	Schweigert	
2005/0014573	A1	1/2005	Lee	
2005/0096148	A1	5/2005	Noble	
2005/0119066	A1	6/2005	Stites	
2005/0239569	A1	10/2005	Best	
2005/0277485	A1	12/2005	Hou	
2006/0111200	A1	5/2006	Poynor	
2007/0032308	A1	2/2007	Fagot	
2007/0225084	A1	9/2007	Schweigert	
2008/0058113	A1	3/2008	Nicolette	
2008/0188322	A1	8/2008	Anderson	
2008/0300065	A1	12/2008	Schweigert	
2009/0029790	A1	1/2009	Nicolette	
2010/0130306	A1	5/2010	Schweigert	
2010/0178999	A1	7/2010	Nicolette	
2011/0111683	A1	5/2011	Kelnhofer	
2011/0165963	A1	7/2011	Cackett	
2011/0269567	A1	11/2011	Ban	
2011/0294596	A1	12/2011	Ban	
2012/0267410	A1	10/2012	Loudenslager	
2013/0137532	A1	5/2013	Deshmukh	
2013/0225319	A1	8/2013	Kato	
2013/0281226	A1	10/2013	Ban	
2013/0288823	A1	10/2013	Hebreo	
2013/0303303	A1	11/2013	Ban	
2013/0310192	A1	11/2013	Whal	
2014/0080621	A1	3/2014	Nicolette	
2014/0128175	A1	5/2014	Jertson	
2014/0274441	A1	9/2014	Greer	
2014/0274451	A1	9/2014	Knight	

2015/0136825	A1	5/2015	Kalck	
2015/0231454	A1 *	8/2015	Parsons	A63B 53/0475 473/335
2015/0231806	A1 *	8/2015	Parsons	A63B 60/00 264/261

OTHER PUBLICATIONS

International Search Report and Written Opinion Issued in connection with corresponding Application No. PCT/US2015/016666, dated May 14, 2015 (8 Pages).

Kzuchowski, Zak, "Callaway Mack Daddy 2 PM Grind Wedges" (<http://golfwrz.com276203/callaway-mack-daddy-2-pm-grind-wedges/>), www.golfwrz.com, GolfWRX Holdings, LLC, Published Jan. 21, 2015.

Wall, Jonathan, "Details: Phil's Prototype Mack Daddy PM-Grind Wedge," (<http://www.pgatour.com/equipmentreport/2015/01/21/callaway-wedge.html>), Www.pgatour.com, PGA Tour, Inc., Published Jan. 21, 2015.

* cited by examiner

Primary Examiner — Mitchell I. Siegel

(57) CLAIM

The ornamental design for a golf club head, as shown and described.

DESCRIPTION

FIG. 1 is a top perspective view of a golf club head; FIG. 2 is a bottom perspective view of the golf club head of FIG. 1; FIG. 3 is a front elevational view of the golf club head of FIG. 1; FIG. 4 is a rear elevational view of the golf club head of FIG. 1; FIG. 5 is a top view of the golf club head of FIG. 1; FIG. 6 is a bottom view of the golf club head of FIG. 1; FIG. 7 is a left side view of the golf club head of FIG. 1; FIG. 8 is a right side view of the golf club head of FIG. 1; FIG. 9 is a top perspective view of a second embodiment of a golf club head; FIG. 10 is a bottom perspective view of the golf club head of FIG. 9; FIG. 11 is a front elevational view of the golf club head of FIG. 9; FIG. 12 is a rear elevational view of the golf club head of FIG. 9; FIG. 13 is a top view of the golf club head of FIG. 9; FIG. 14 is a bottom view of the golf club head of FIG. 9; FIG. 15 is a left side view of the golf club head of FIG. 9; FIG. 16 is a right side view of the golf club head of FIG. 9; FIG. 17 is a top perspective view of a third embodiment of a golf club head; FIG. 18 is a bottom perspective view of the golf club head of FIG. 17; FIG. 19 is a front elevational view of the golf club head of FIG. 17; FIG. 20 is a rear elevational view of the golf club head of FIG. 17; FIG. 21 is a top view of the golf club head of FIG. 17; FIG. 22 is a bottom view of the golf club head of FIG. 17; FIG. 23 is a left side view of the golf club head of FIG. 17; FIG. 24 is a right side view of the golf club head of FIG. 17; FIG. 25 is a top perspective view of a fourth embodiment of a golf club head;

FIG. 26 is a bottom perspective view of the golf club head of FIG. 25;

FIG. 27 is a front elevational view of the golf club head of FIG. 25;

FIG. 28 is a rear elevational view of the golf club head of FIG. 25;

FIG. 29 is a top view of the golf club head of FIG. 25;

FIG. 30 is a bottom view of the golf club head of FIG. 25;

FIG. 31 is a left side view of the golf club head of FIG. 25;

FIG. 32 is a right side view of the golf club head of FIG. 25;

FIG. 33 is a top perspective view of a fifth embodiment of a golf club head;

FIG. 34 is a bottom perspective view of the golf club head of FIG. 33;

FIG. 35 is a front elevational view of the golf club head of FIG. 33;

FIG. 36 is a rear elevational view of the golf club head of FIG. 33;

FIG. 37 is a top view of the golf club head of FIG. 33;

FIG. 38 is a bottom view of the golf club head of FIG. 33;

FIG. 39 is a left side view of the golf club head of FIG. 33;

and,

FIG. 40 is a right side view of the golf club head of FIG. 33.

The broken line showing is included for the purpose of illustrating unclaimed subject matter and forms no part of the claimed design.

1 Claim, 35 Drawing Sheets

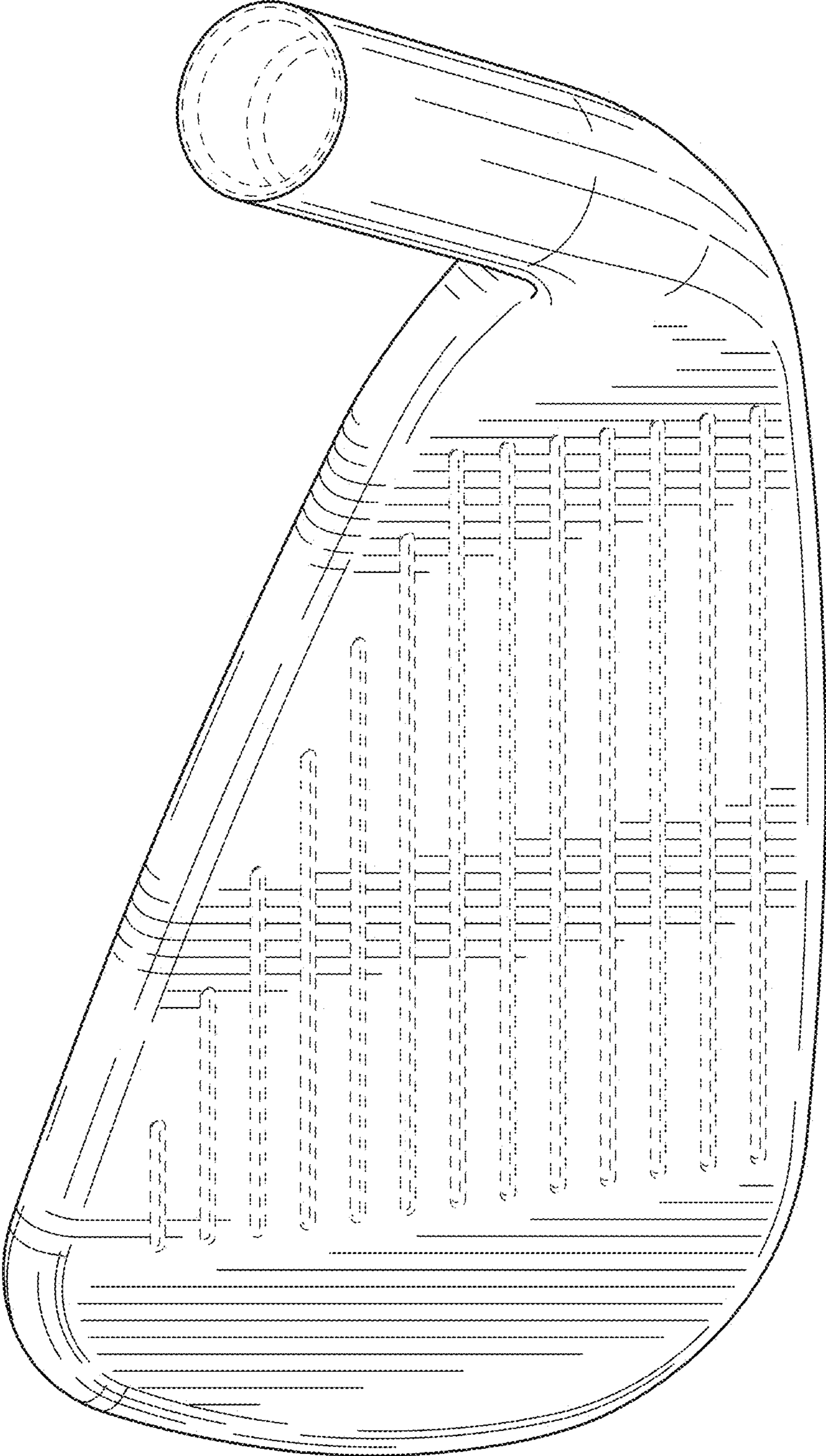


FIG. 1

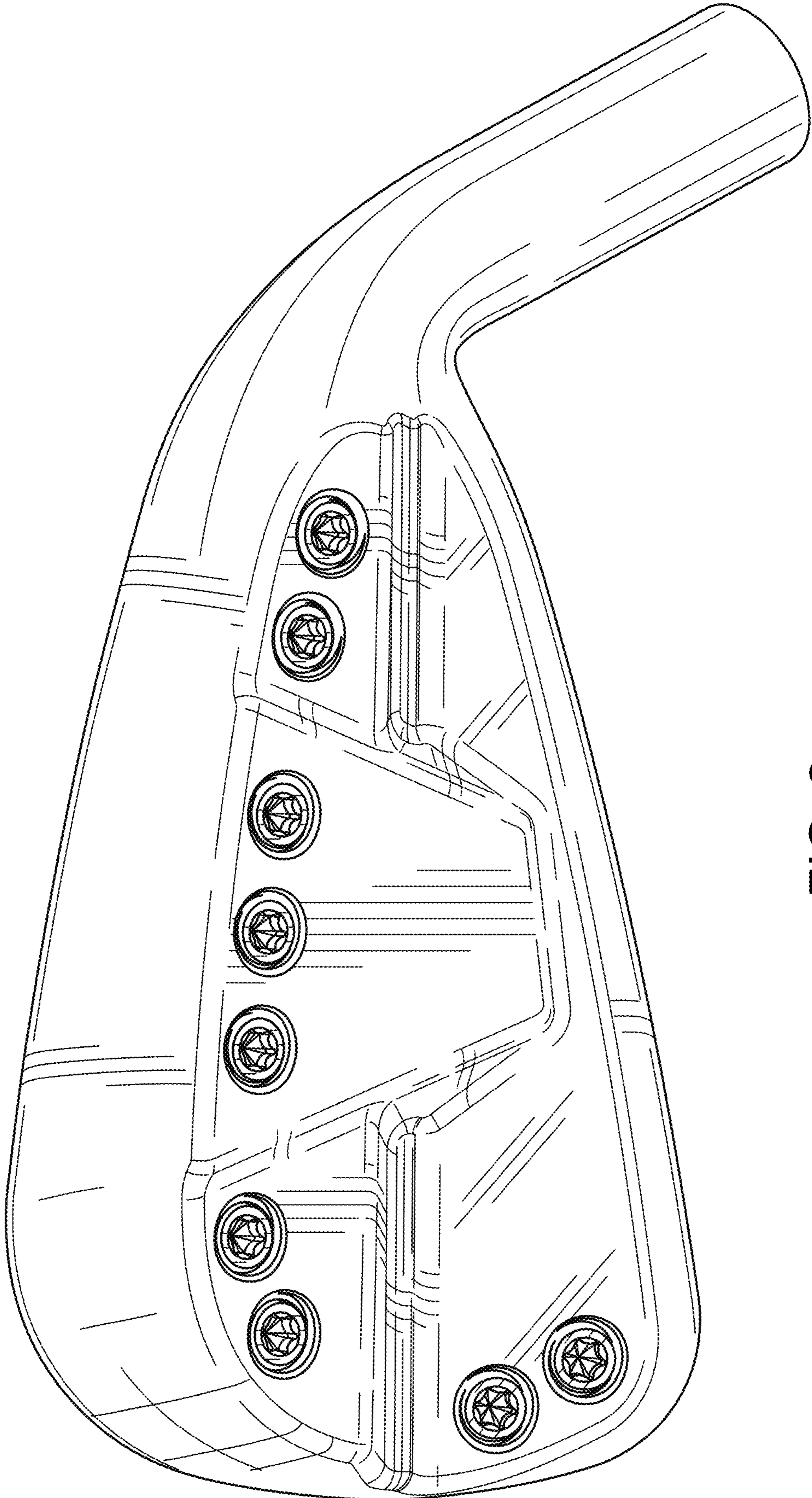


FIG. 2

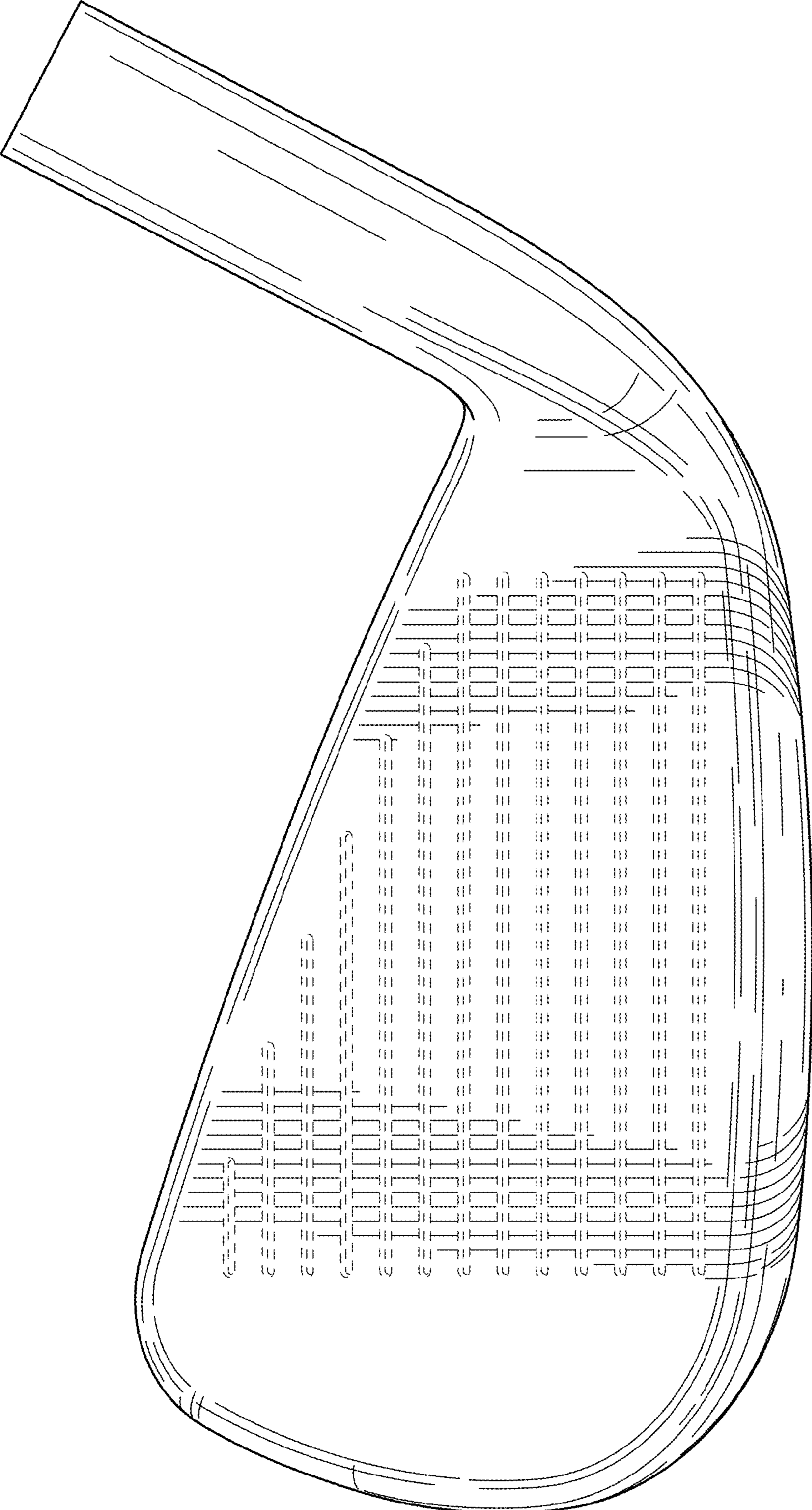


FIG. 3

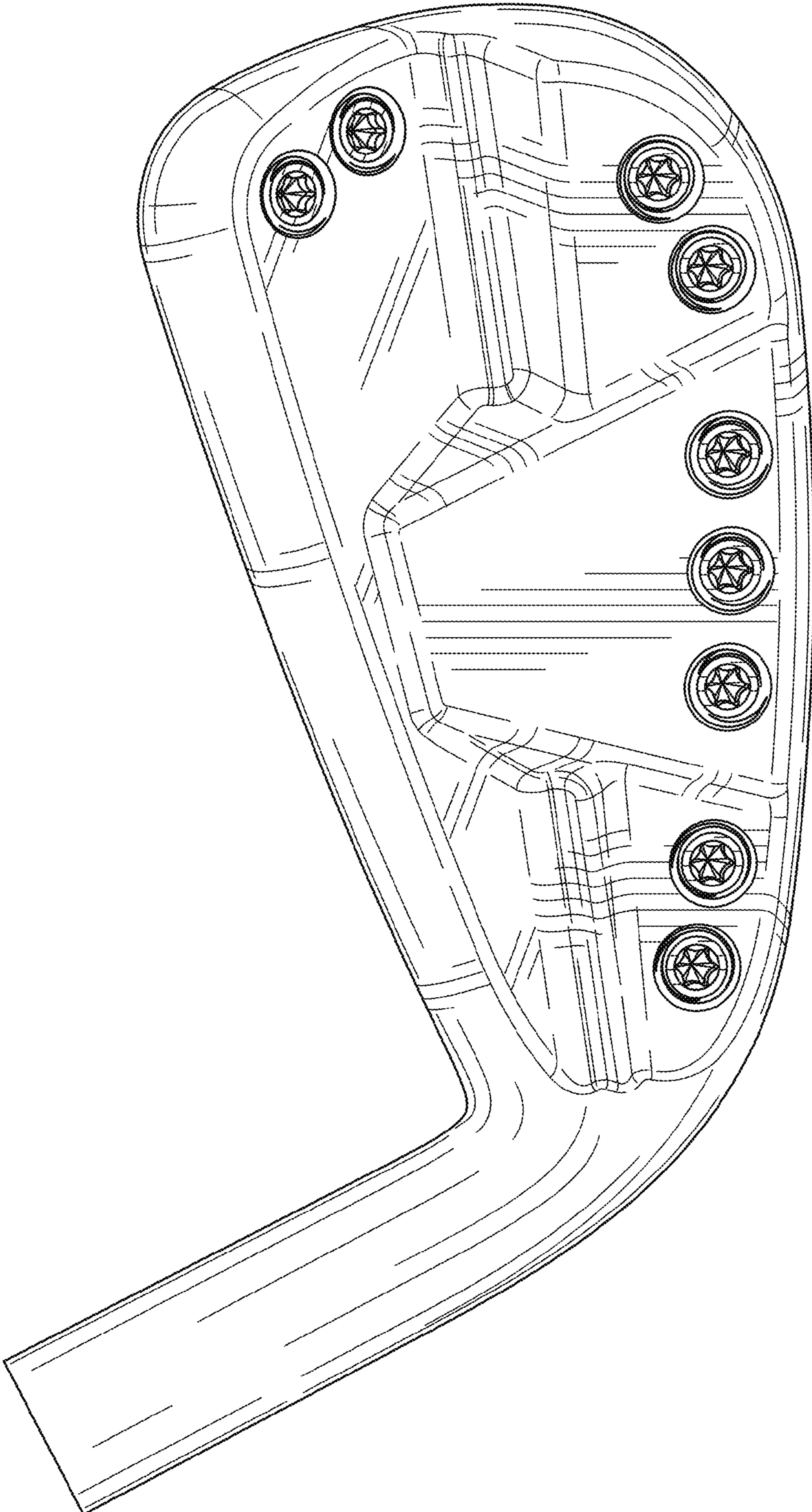


FIG. 4

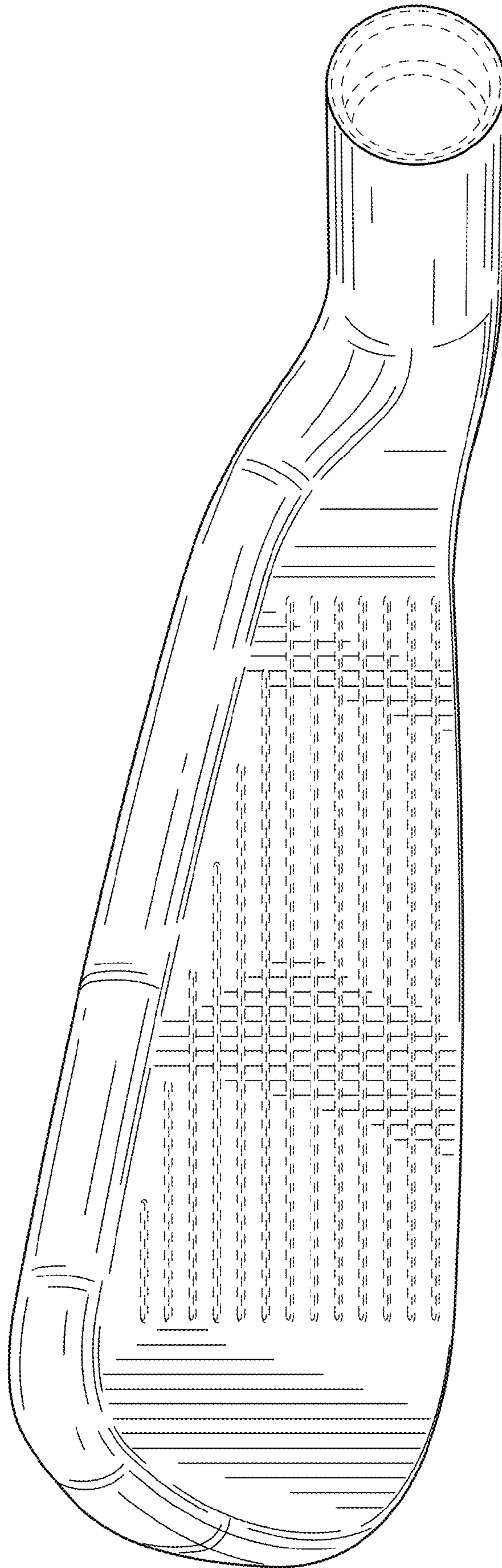


FIG. 5

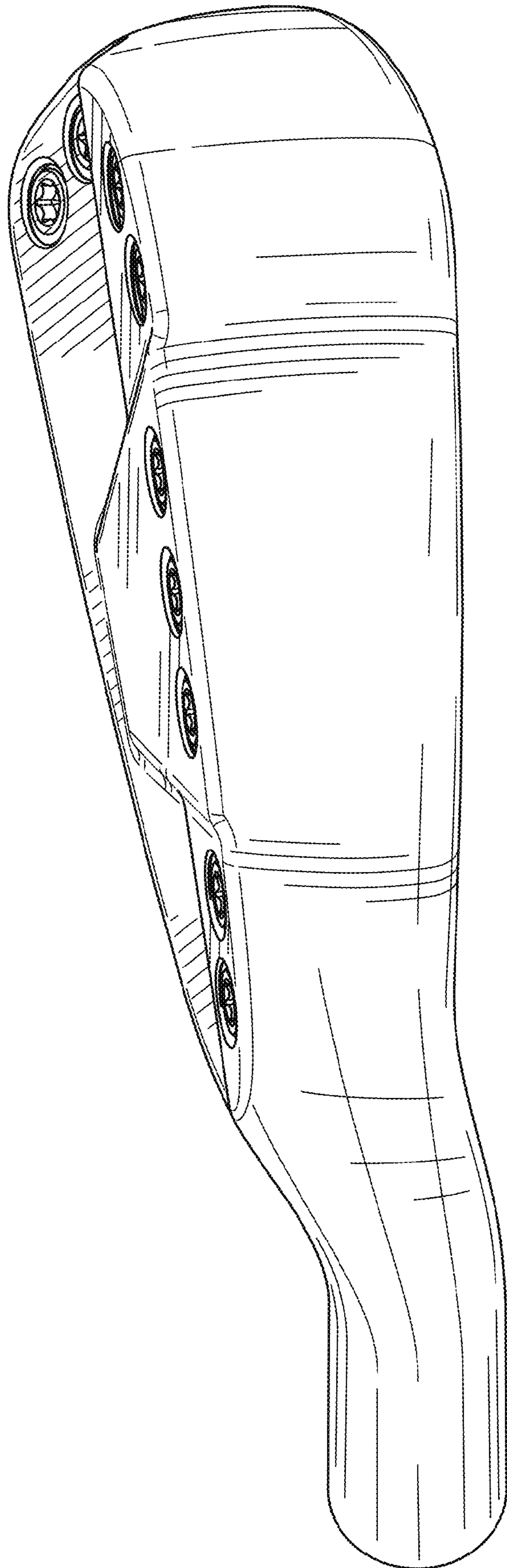


FIG. 6



FIG. 7

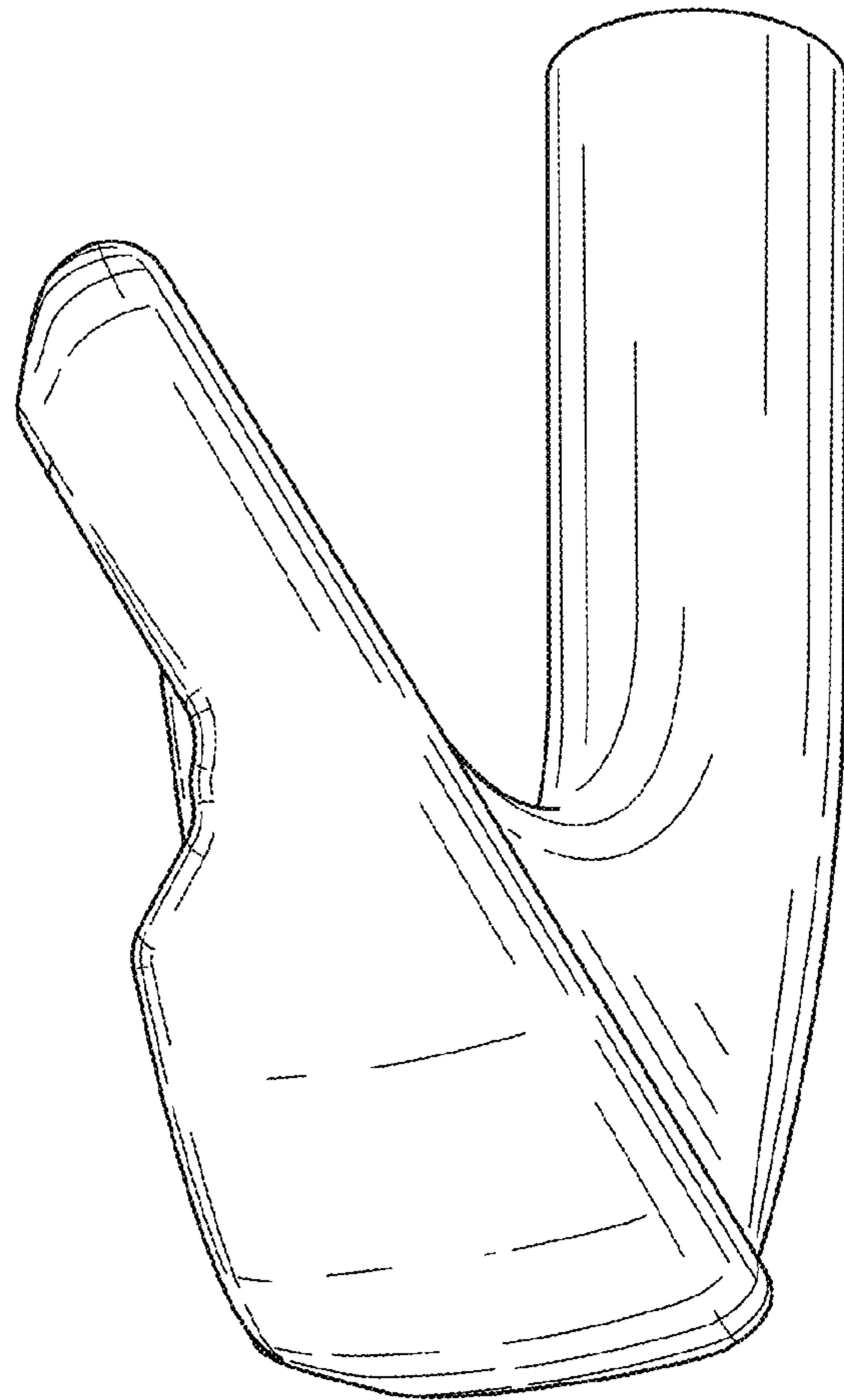


FIG. 8

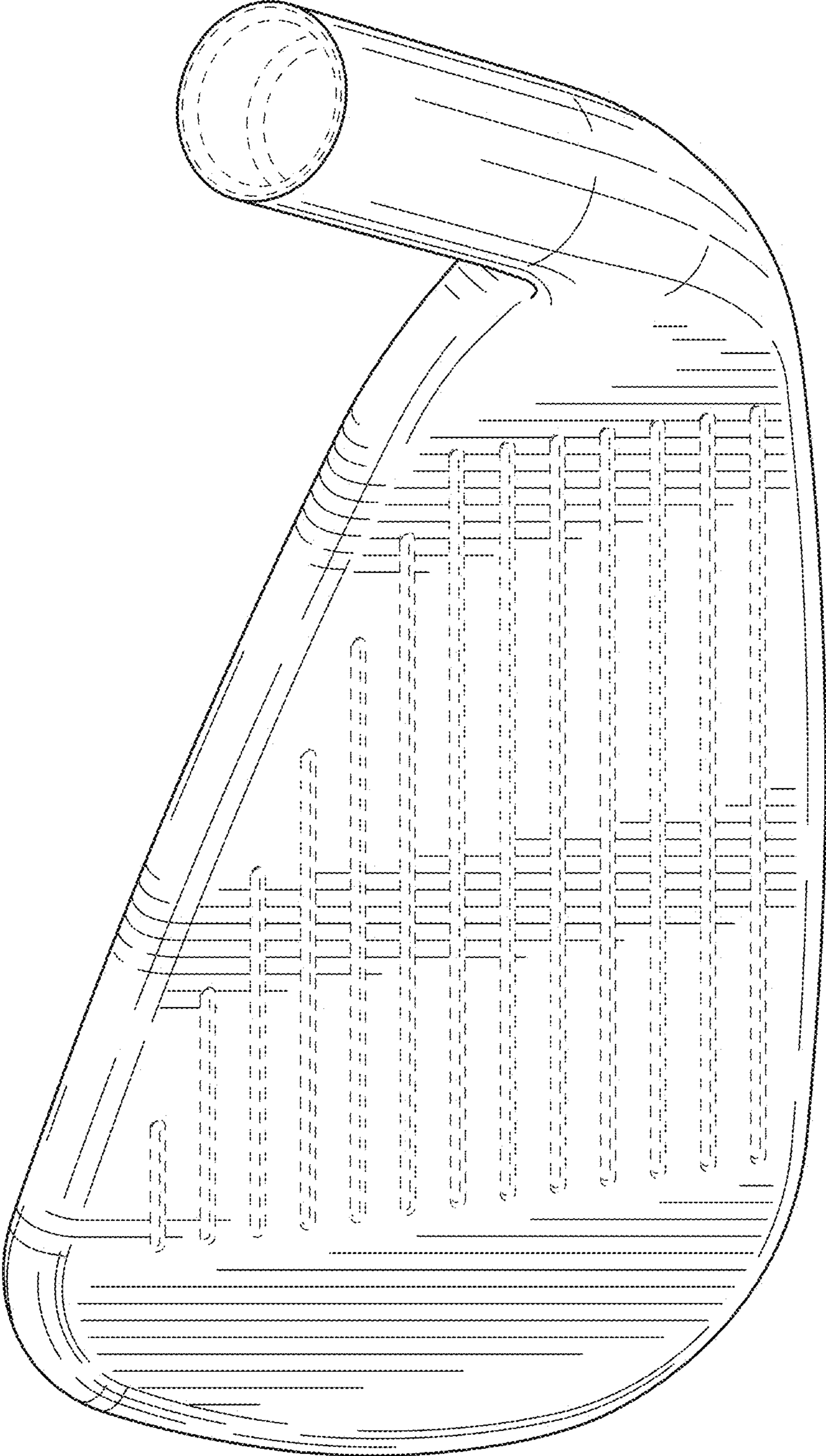


FIG. 9

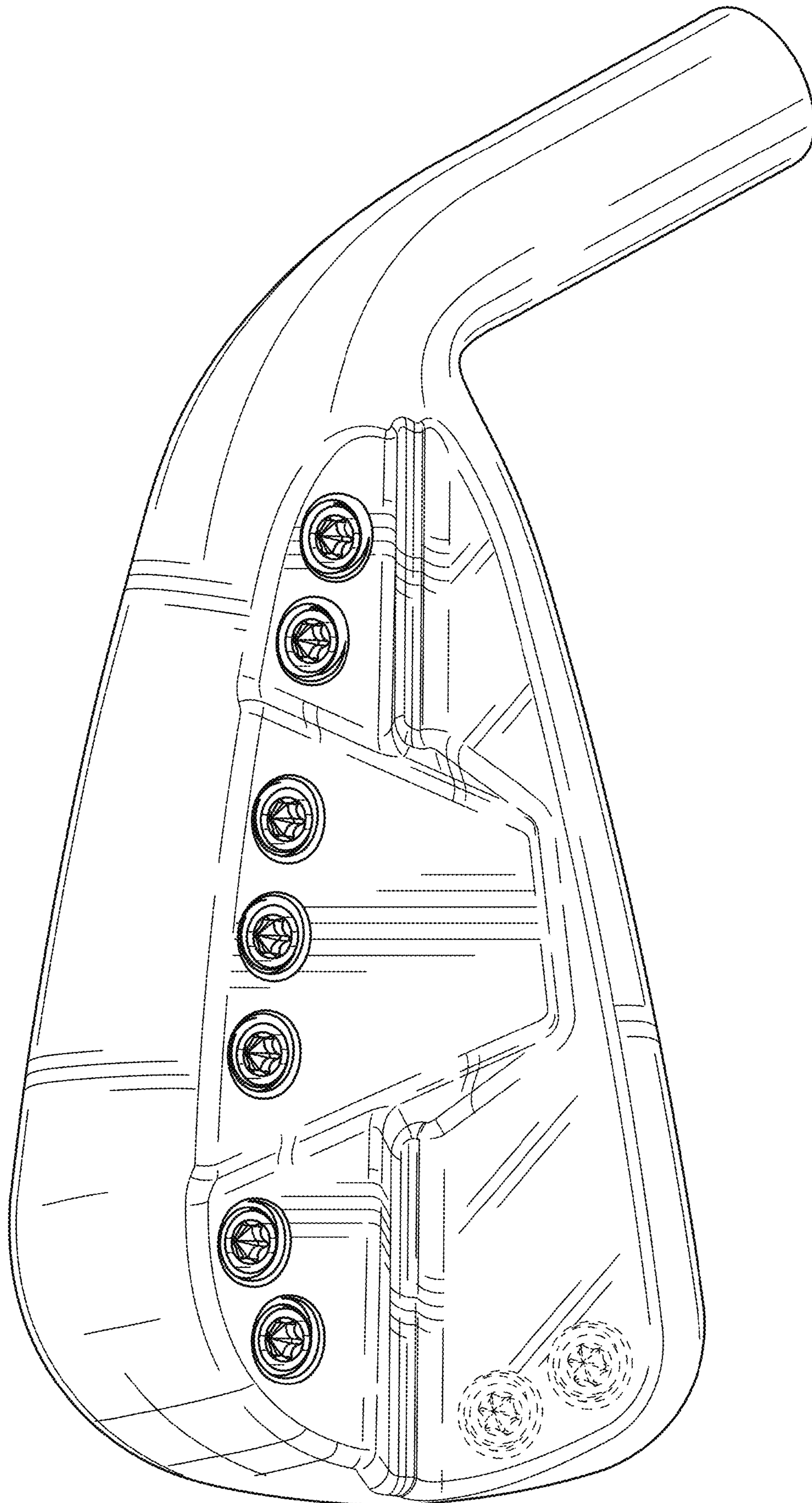


FIG. 10

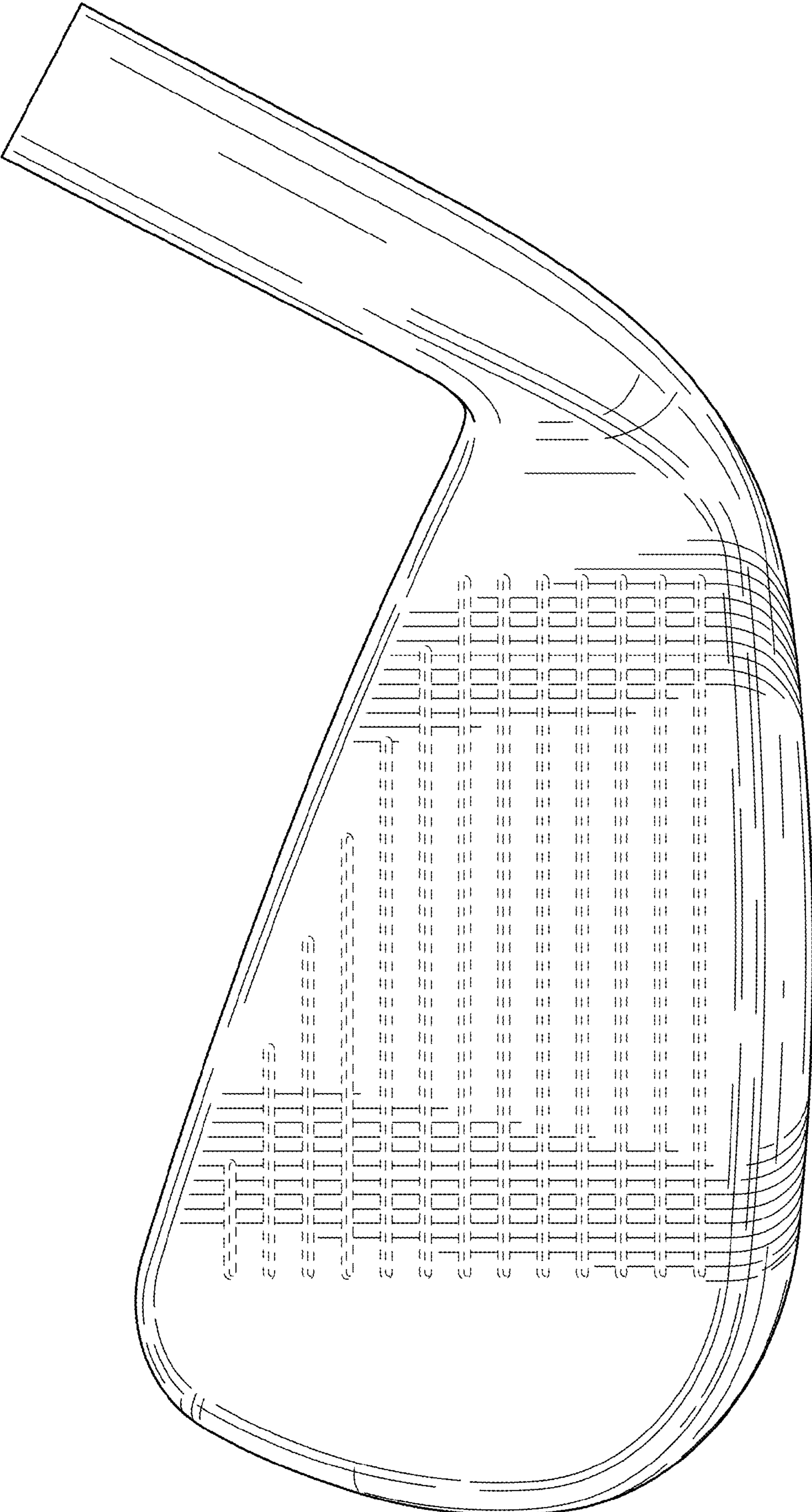


FIG. 11

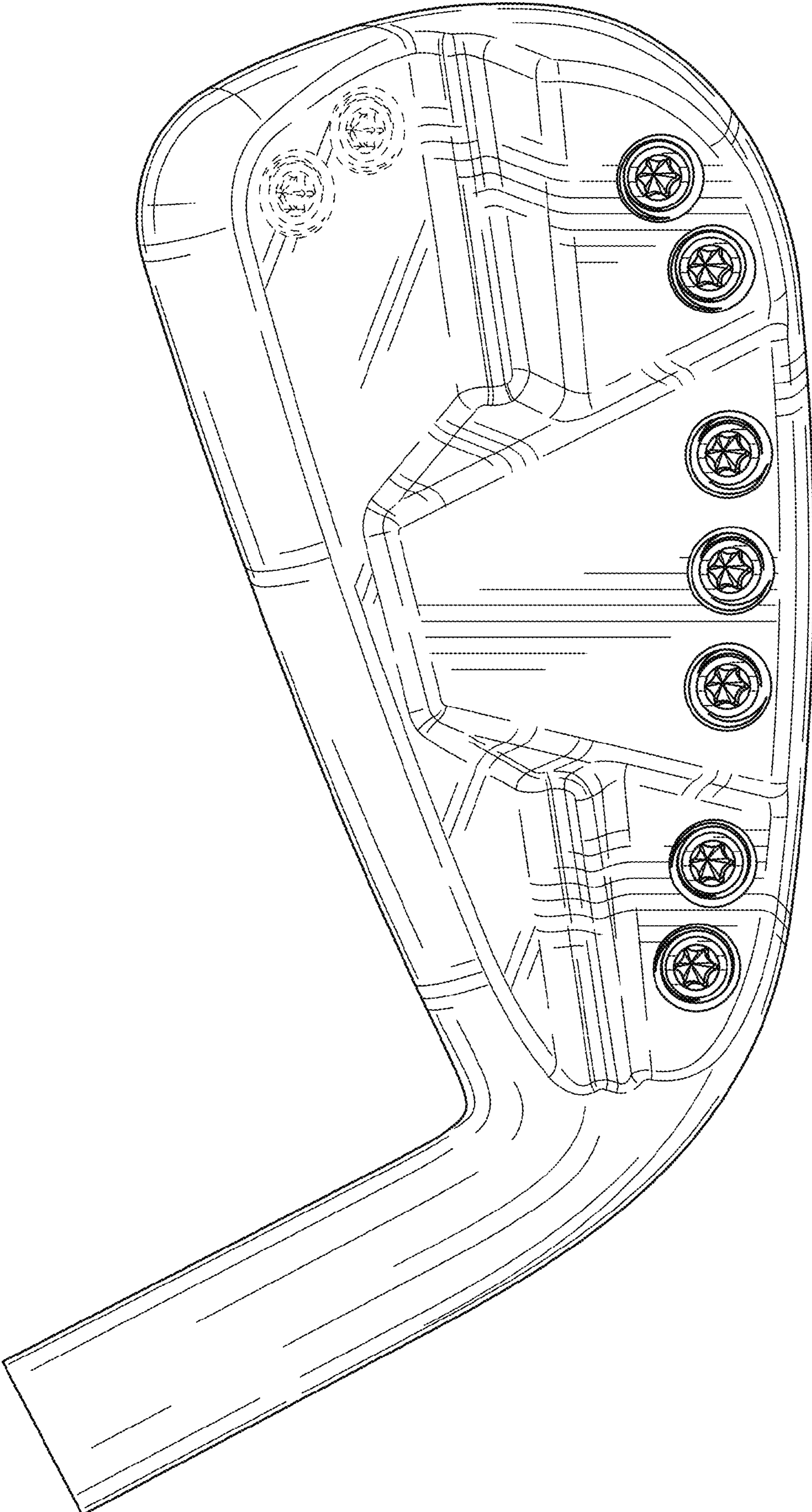


FIG. 12

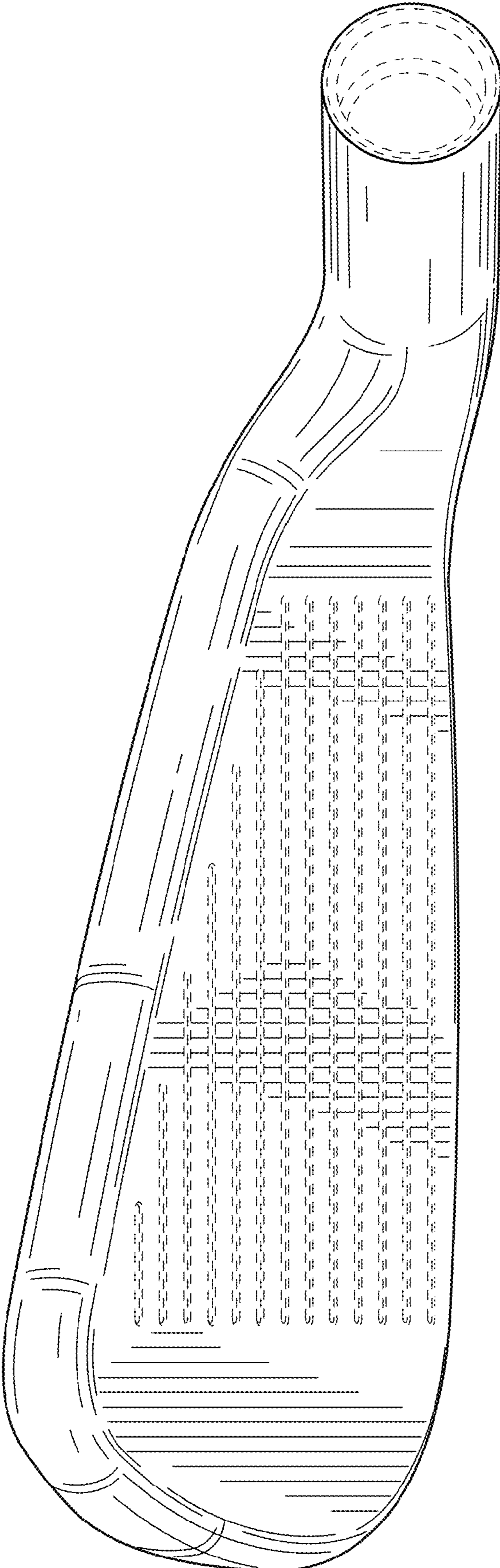


FIG. 13

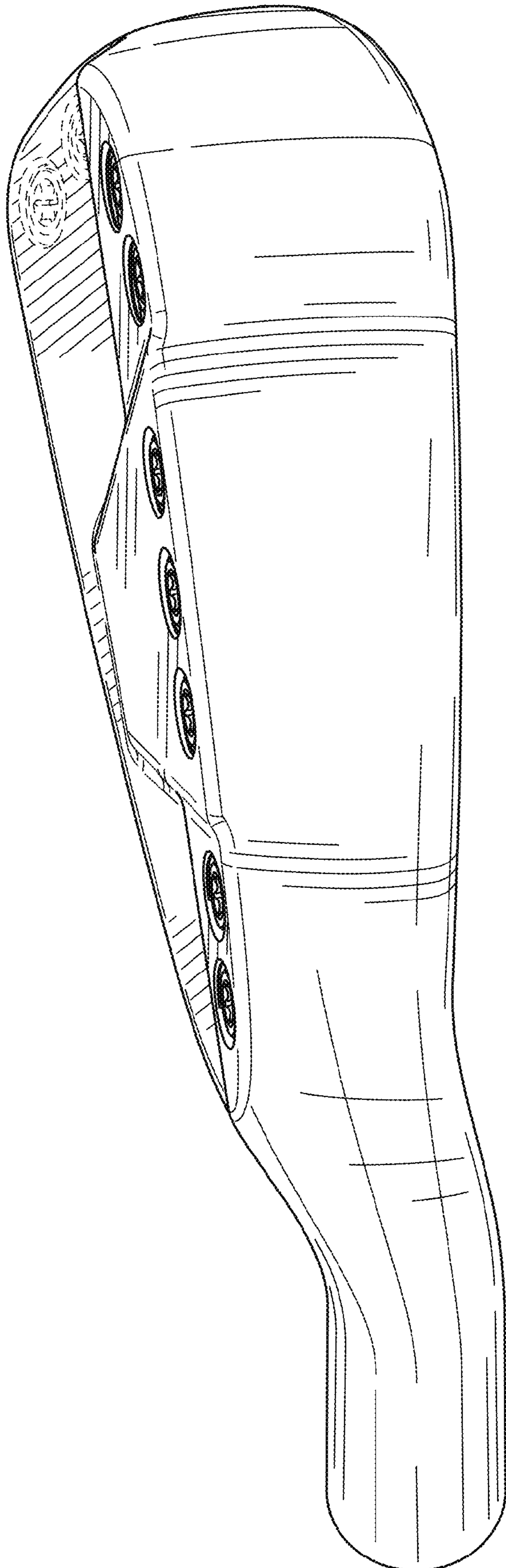


FIG. 14



FIG. 15



FIG. 16

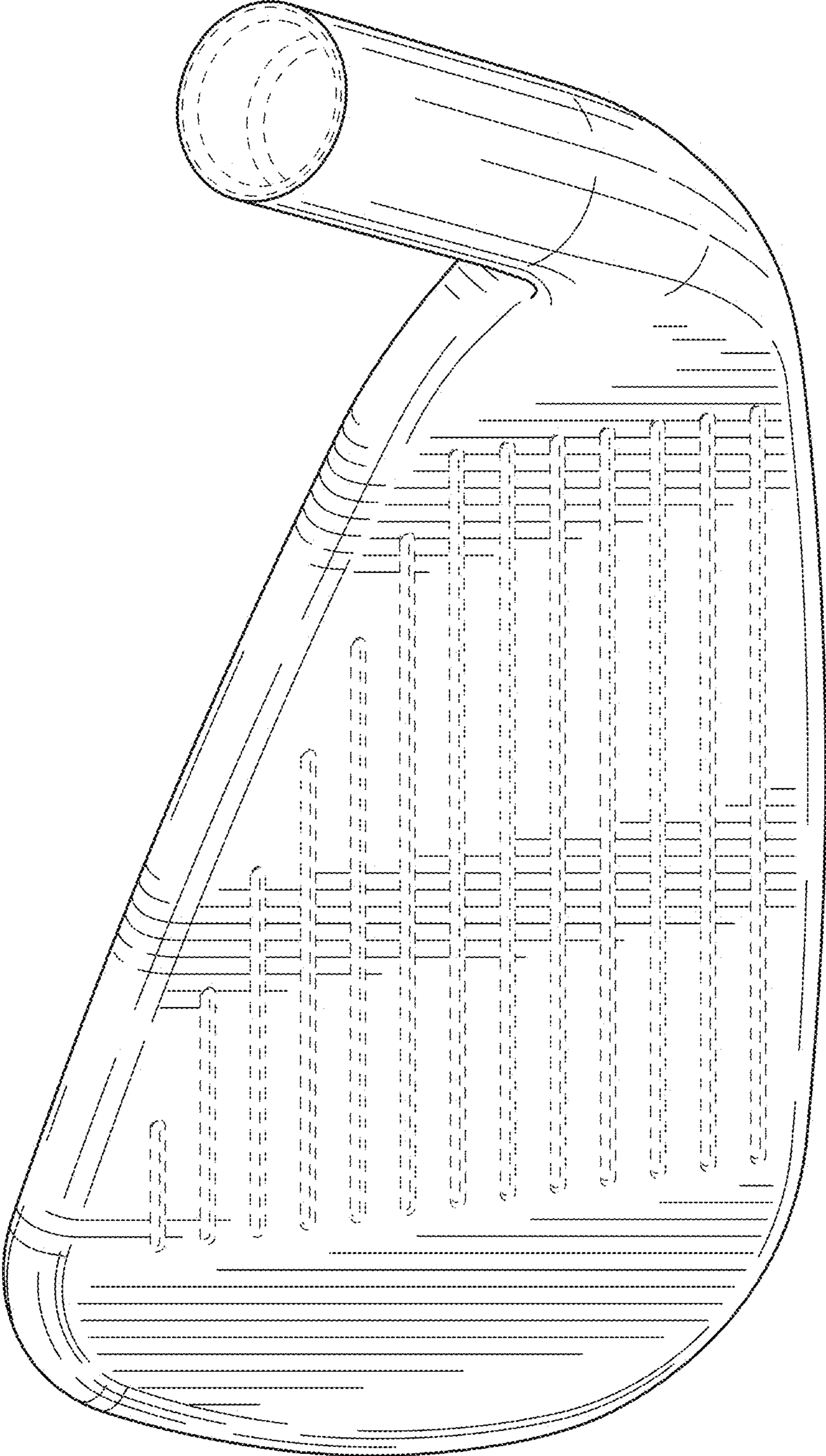


FIG. 17

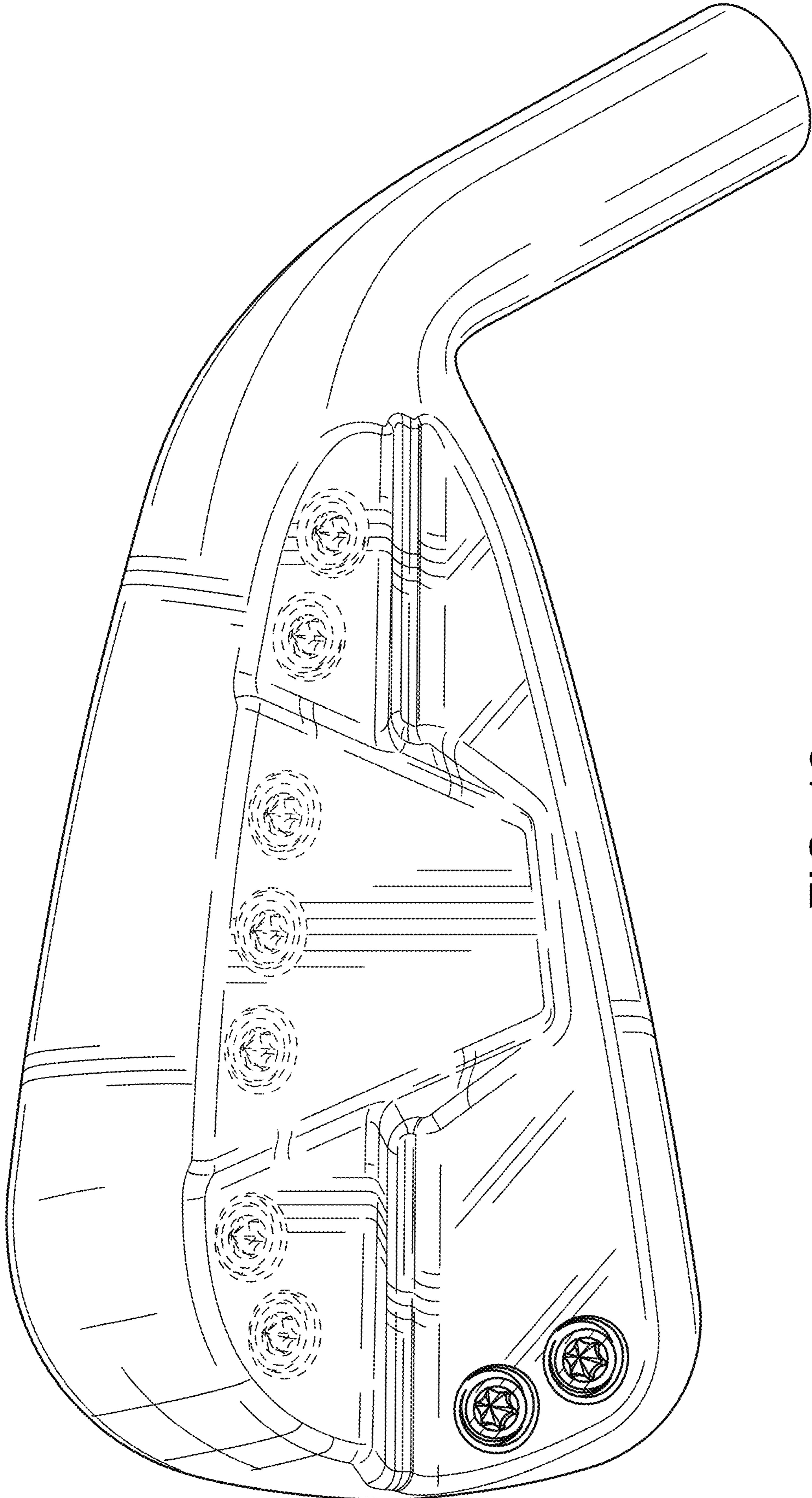


FIG. 18

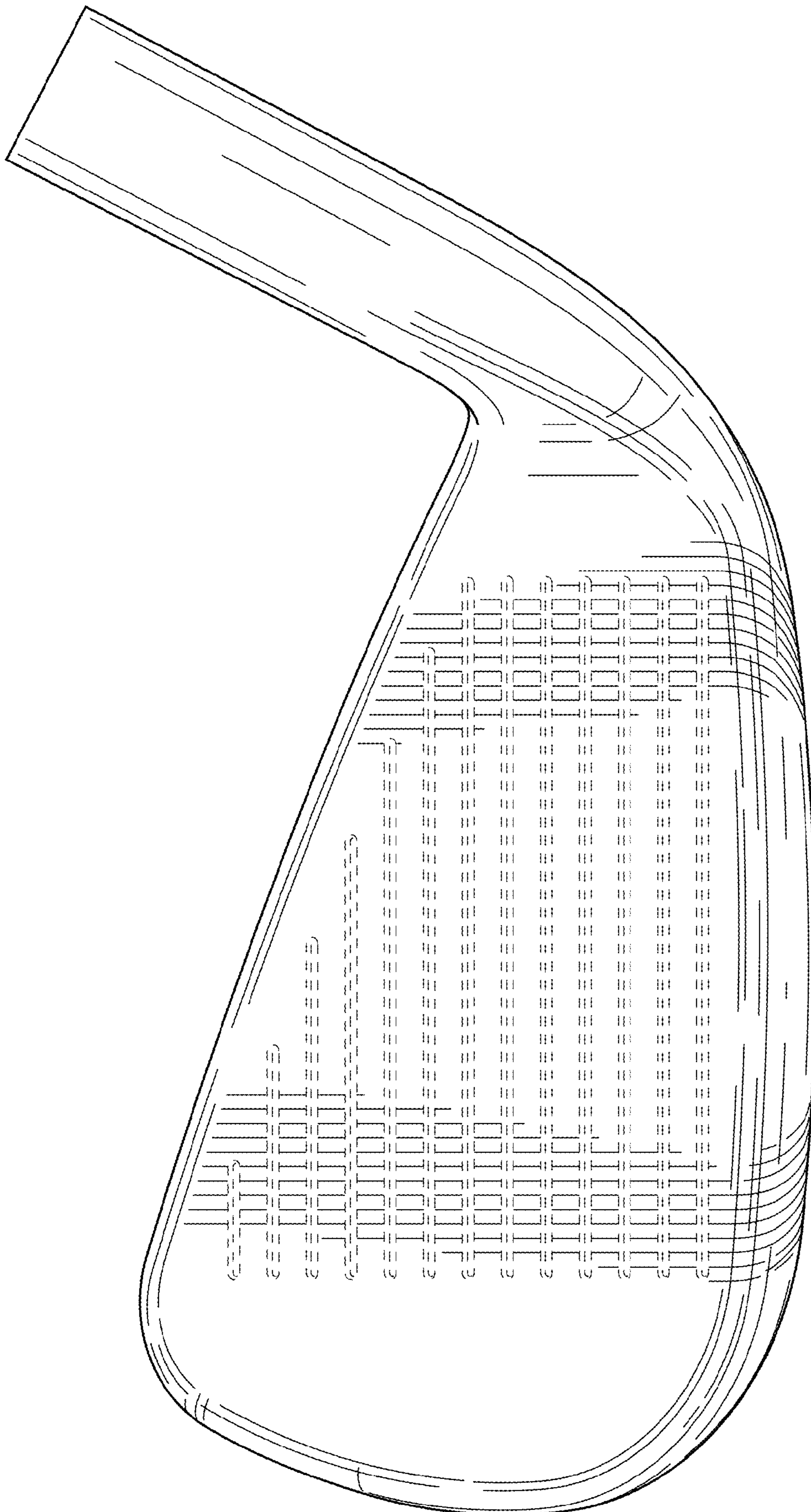


FIG. 19

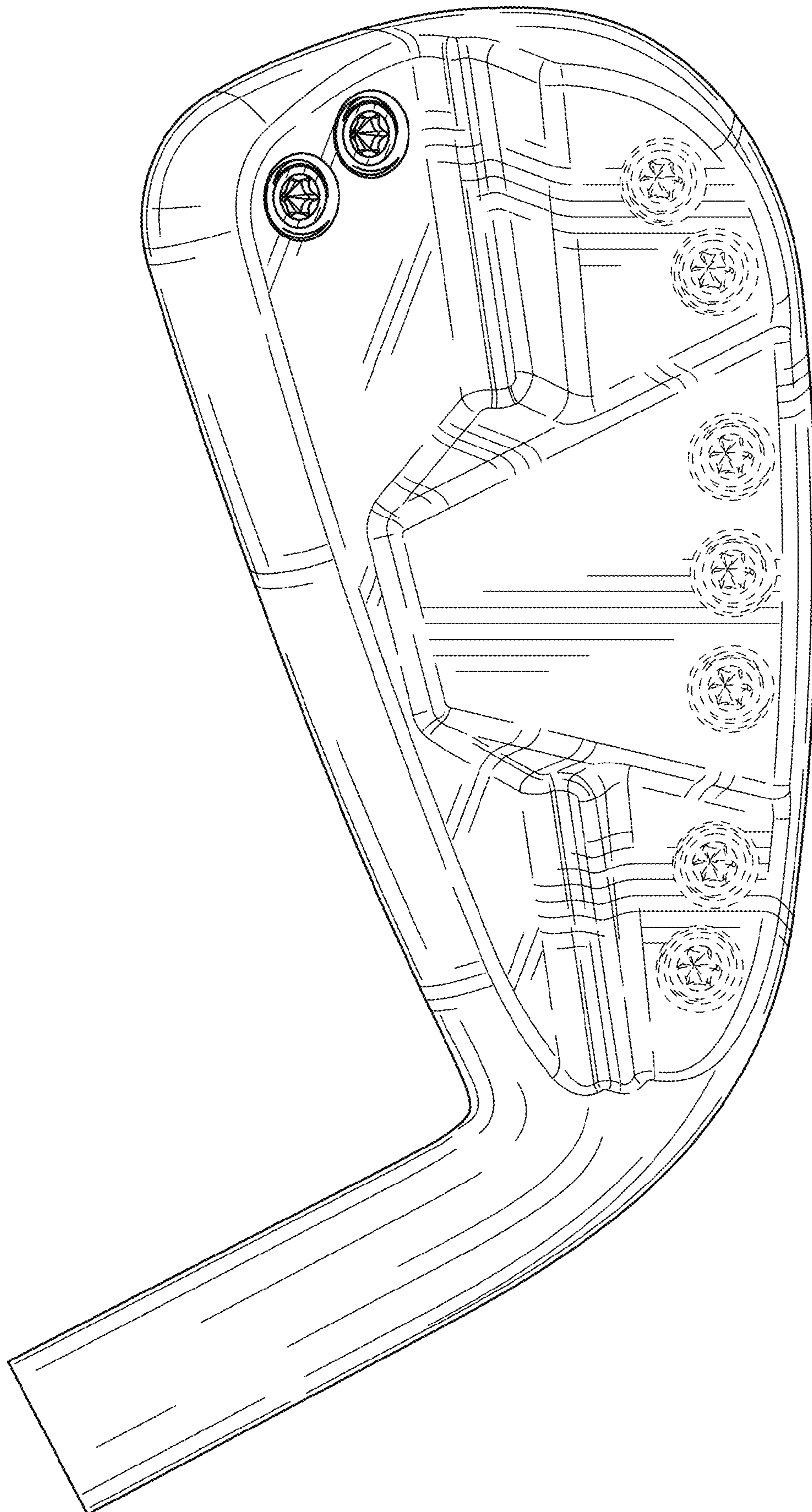


FIG. 20

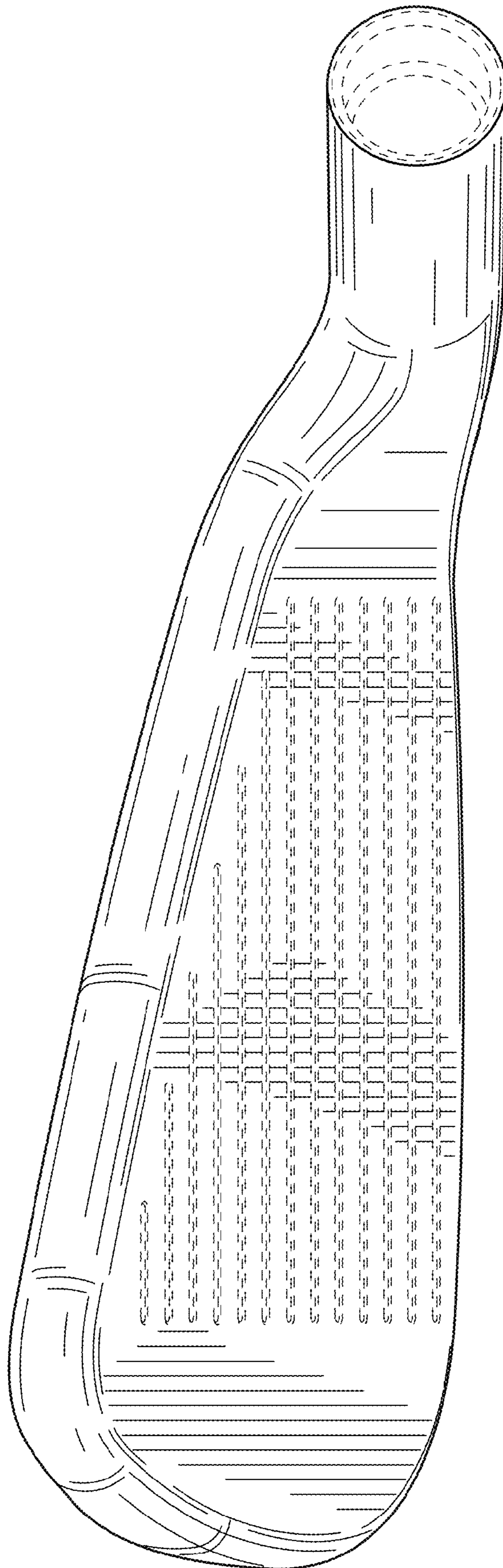


FIG. 21

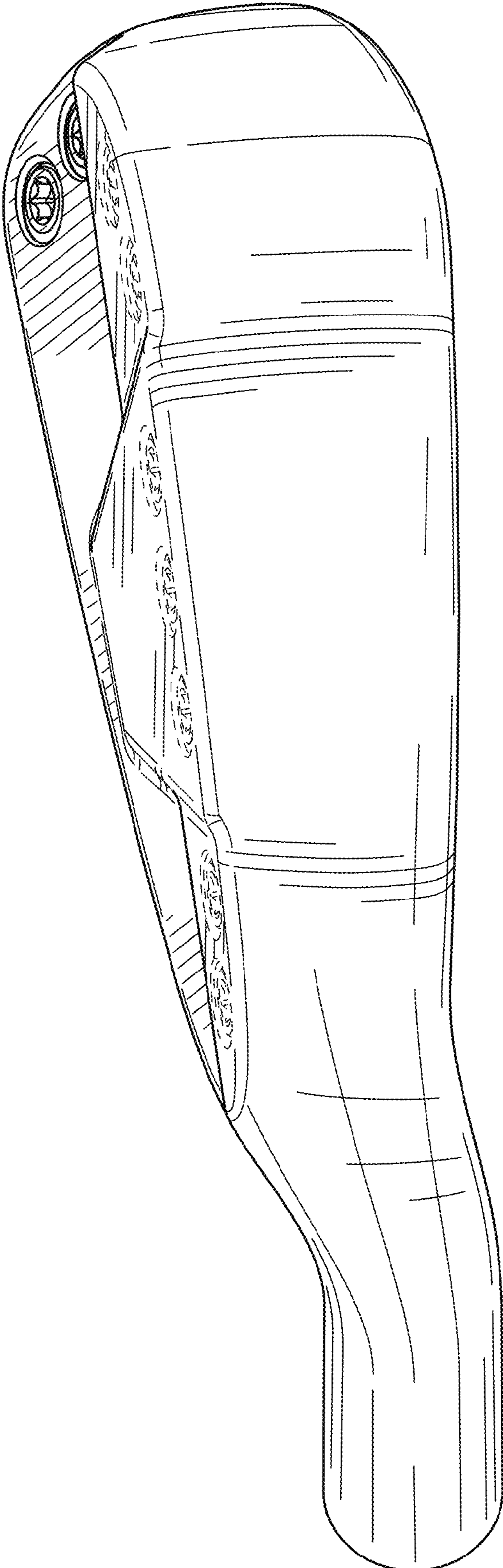


FIG. 22



FIG. 23

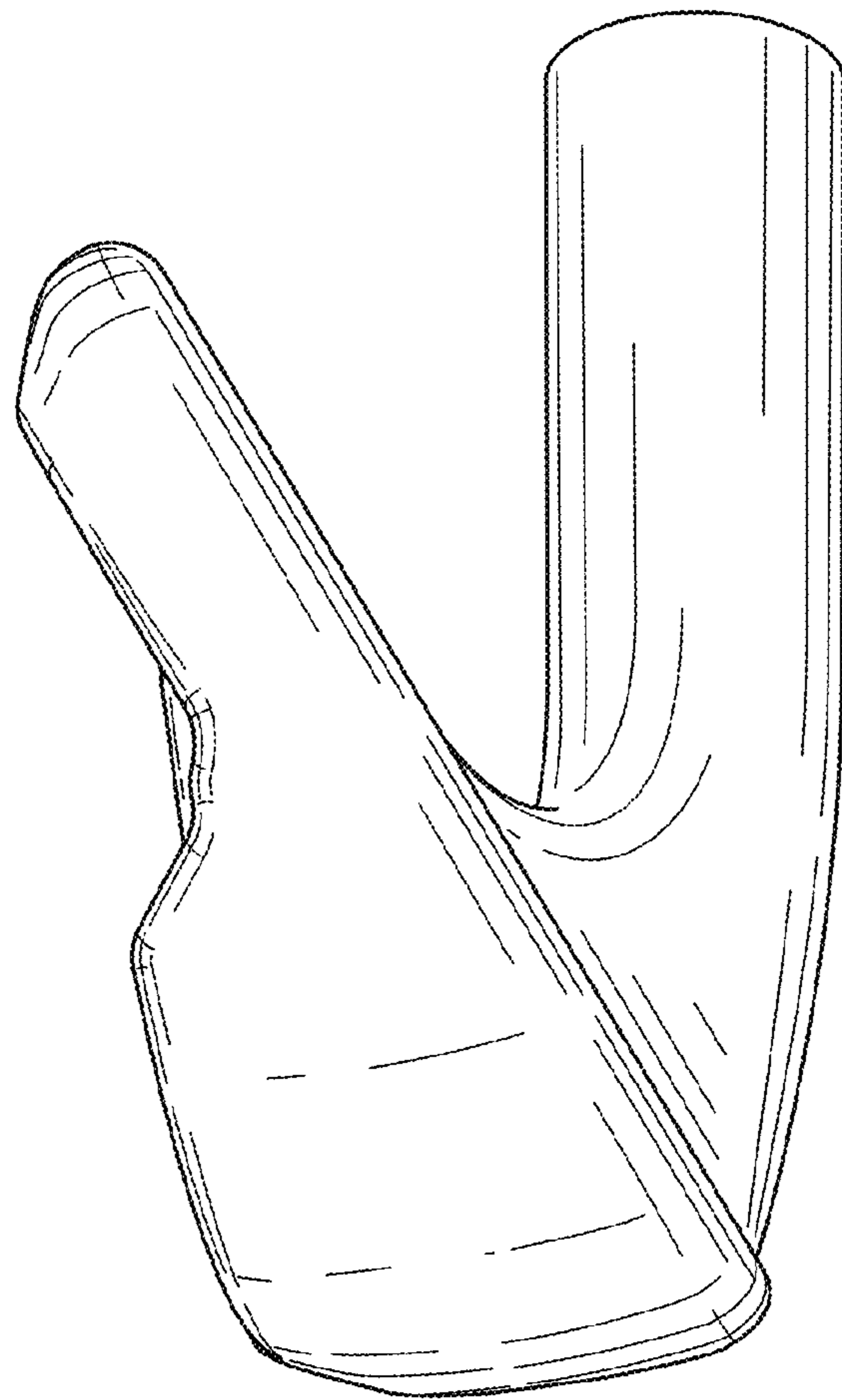


FIG. 24

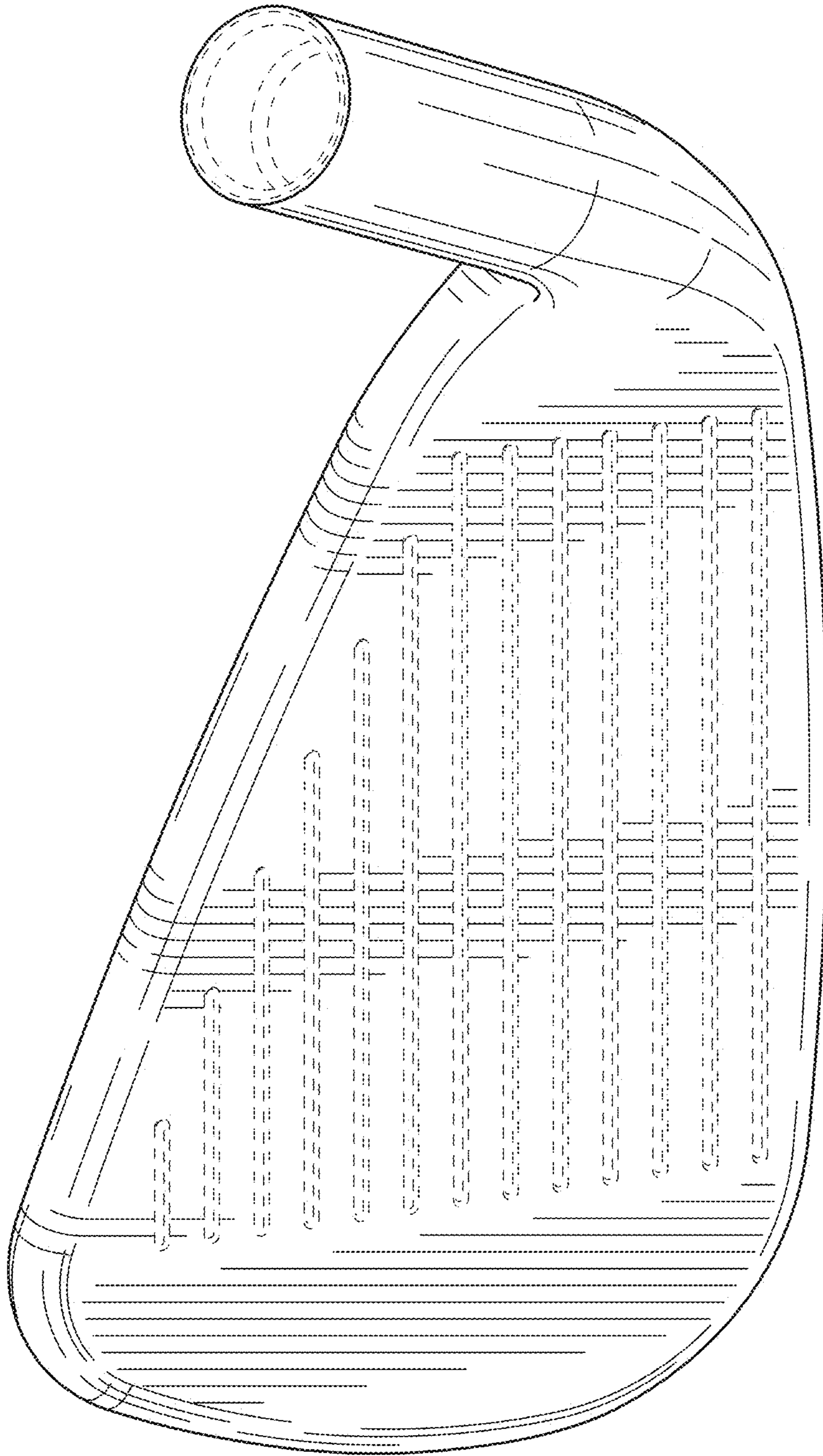


FIG. 25

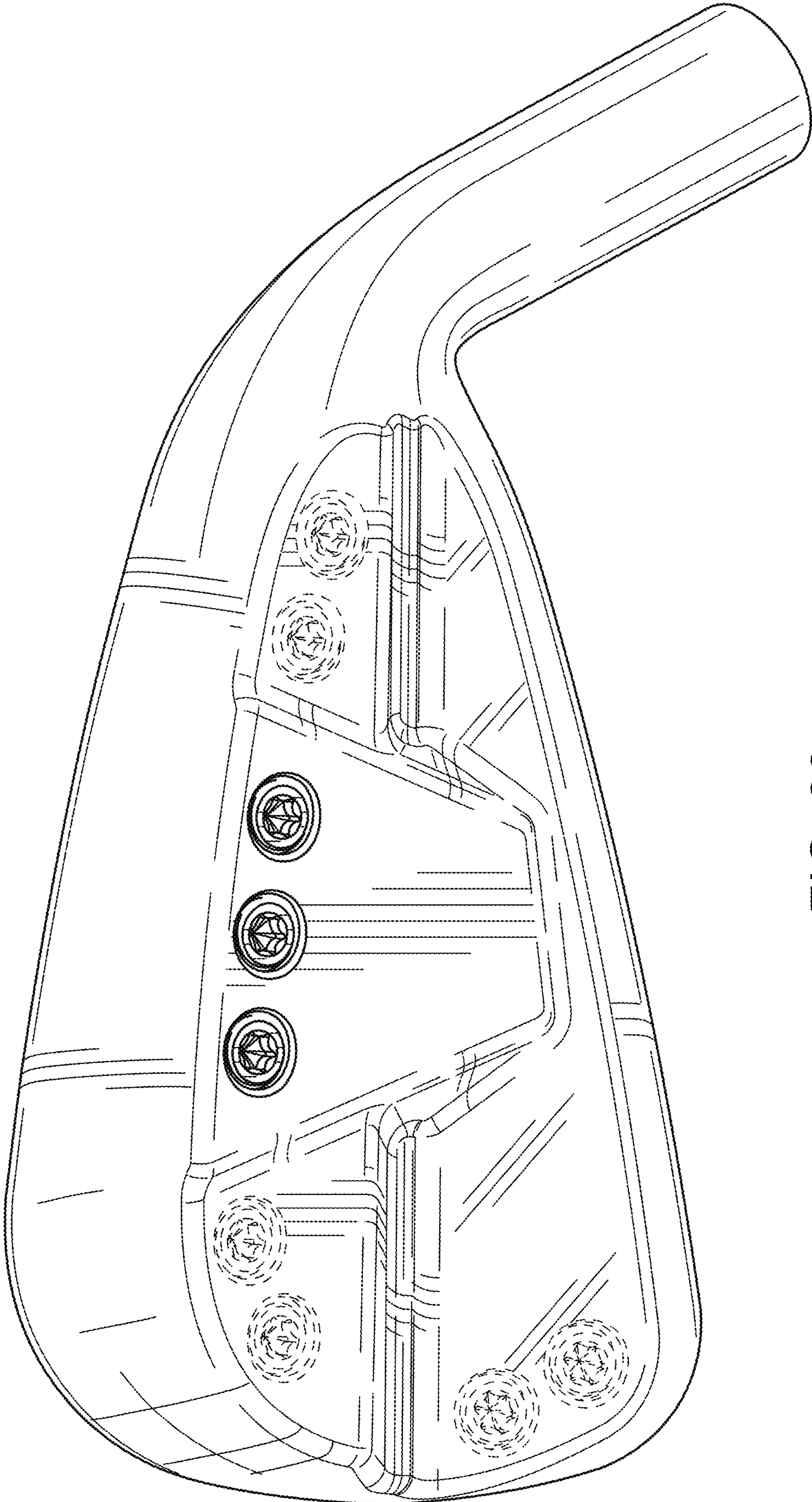


FIG. 26

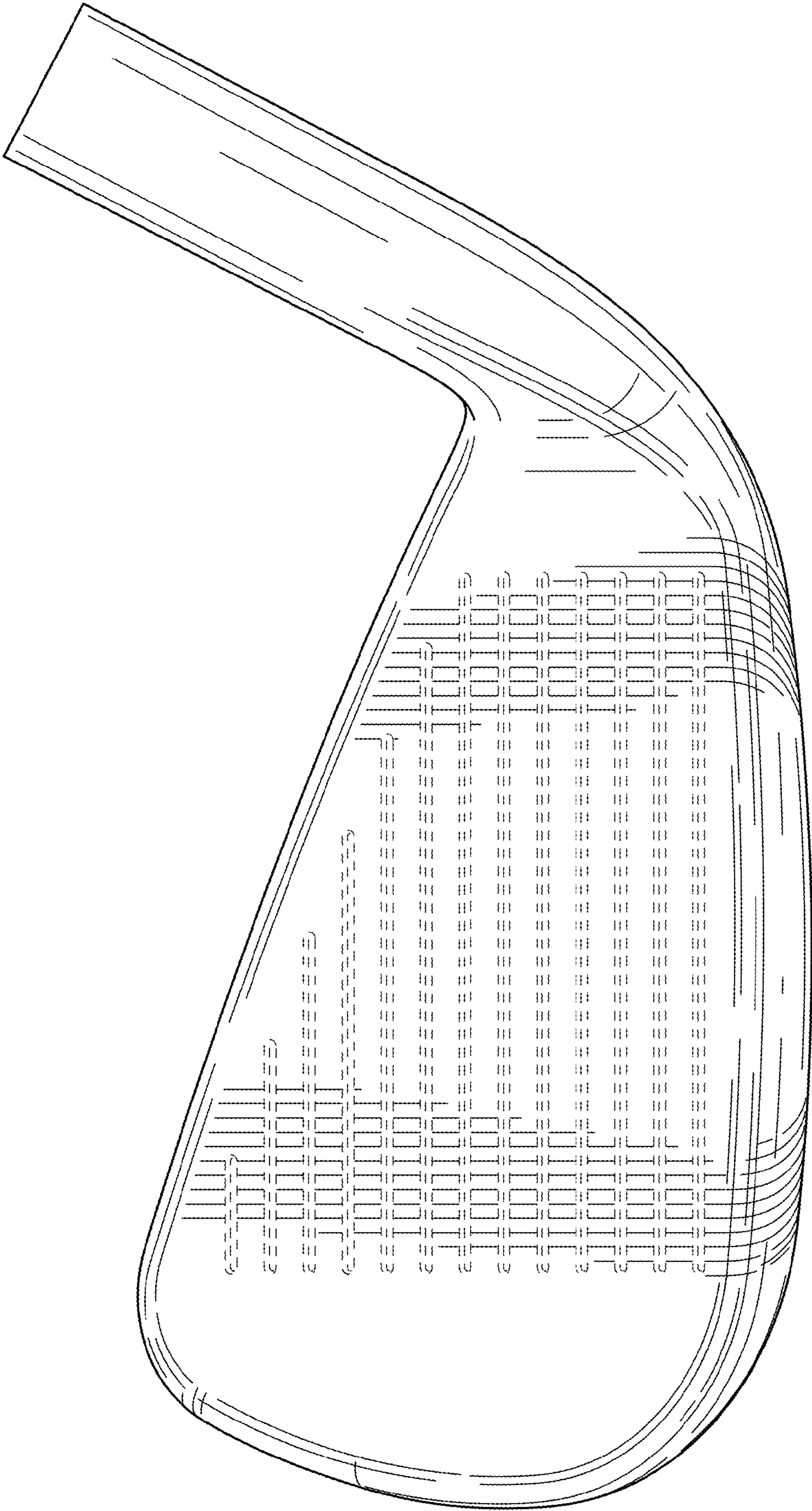


FIG. 27

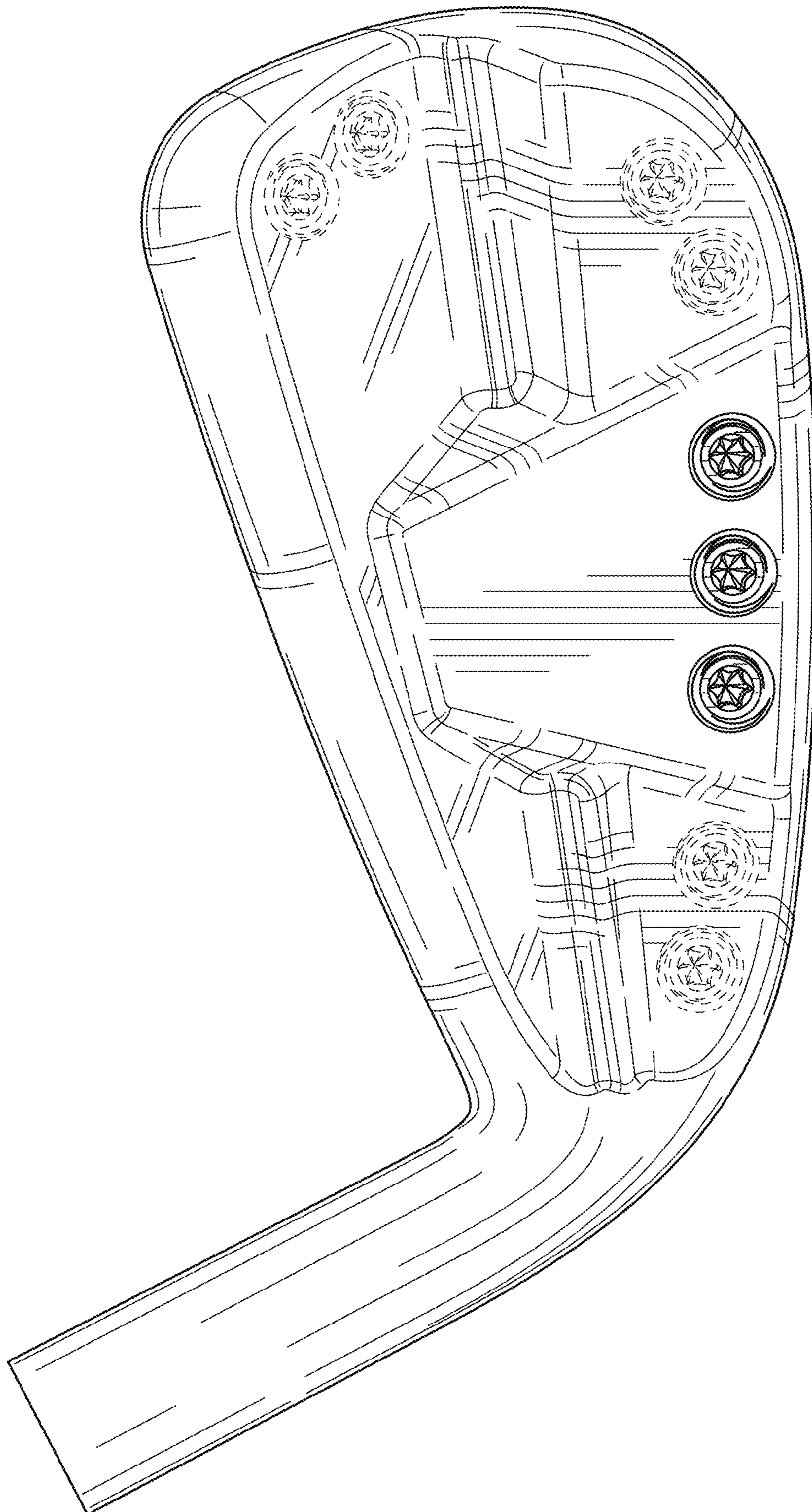


FIG. 28

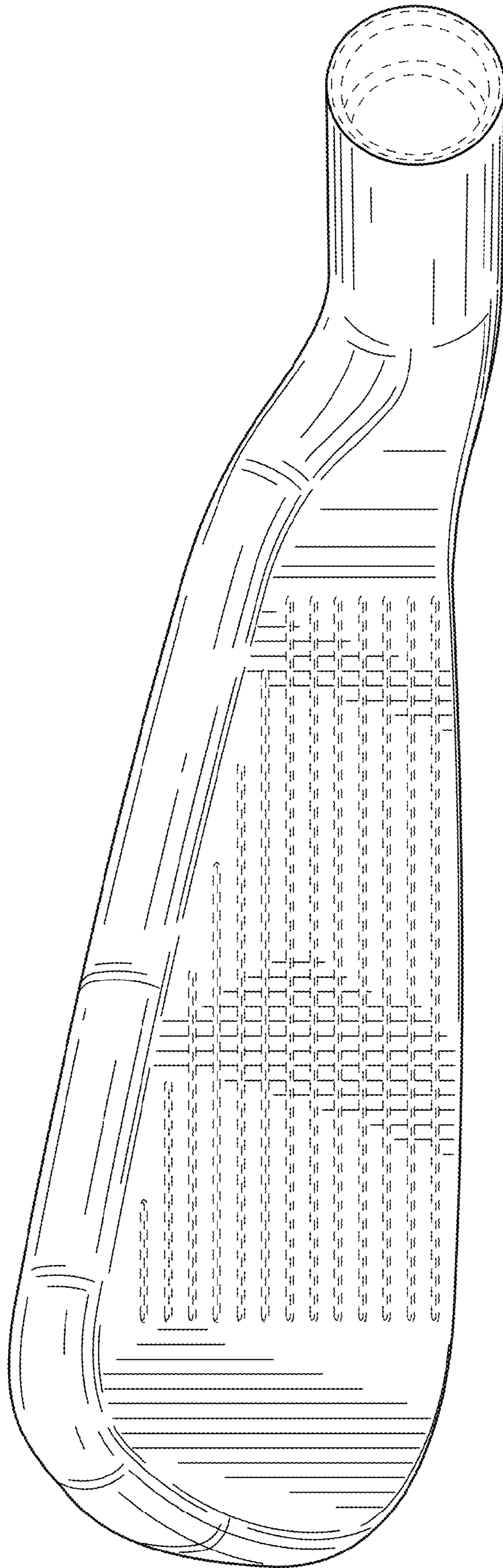


FIG. 29

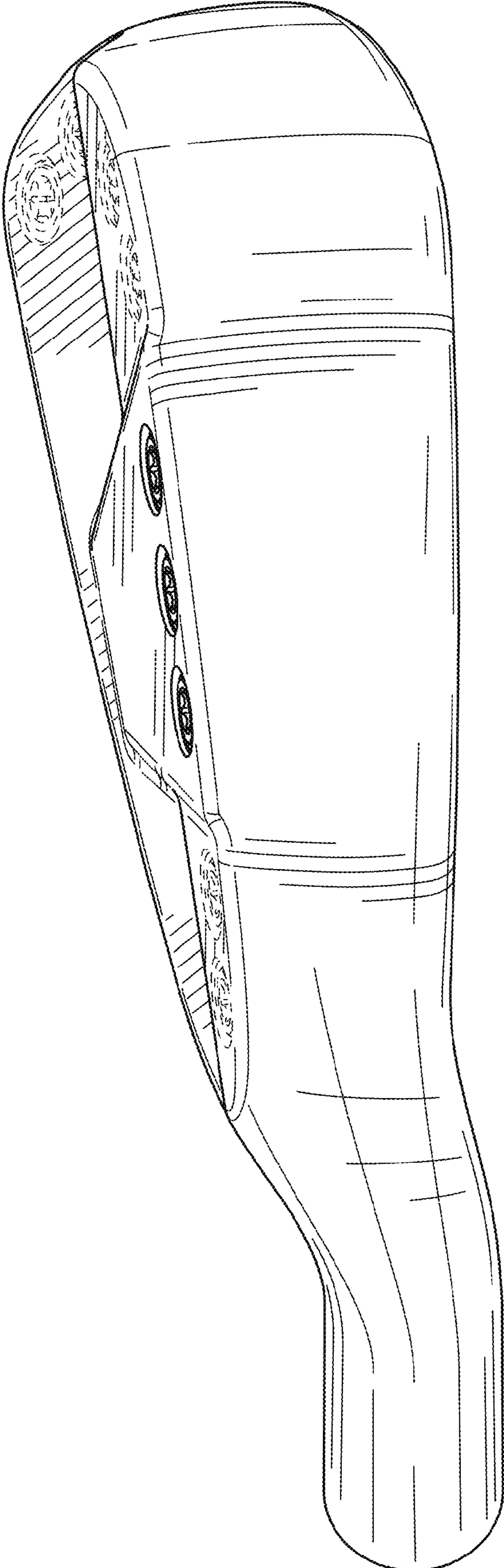


FIG. 30



FIG. 31

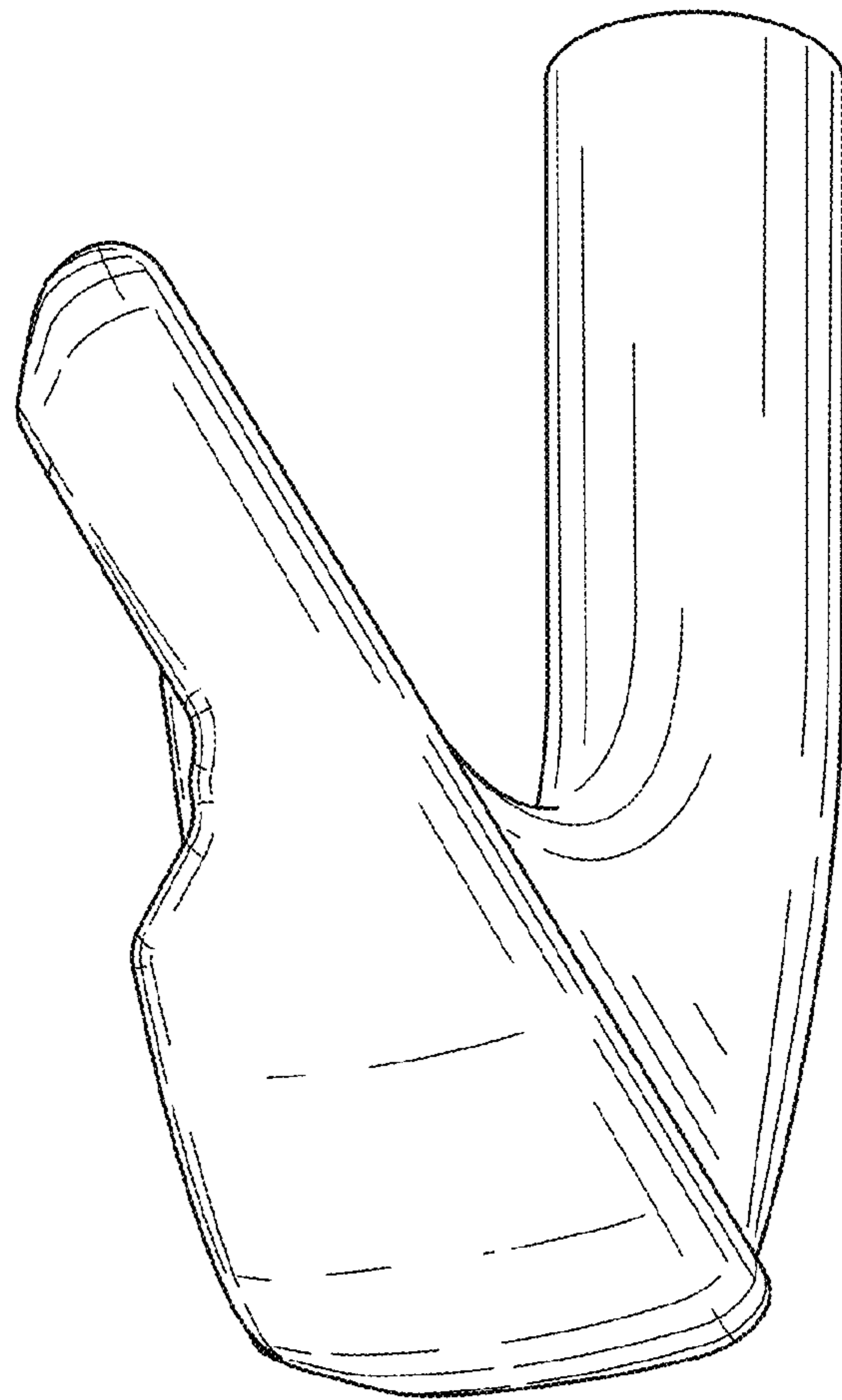


FIG. 32

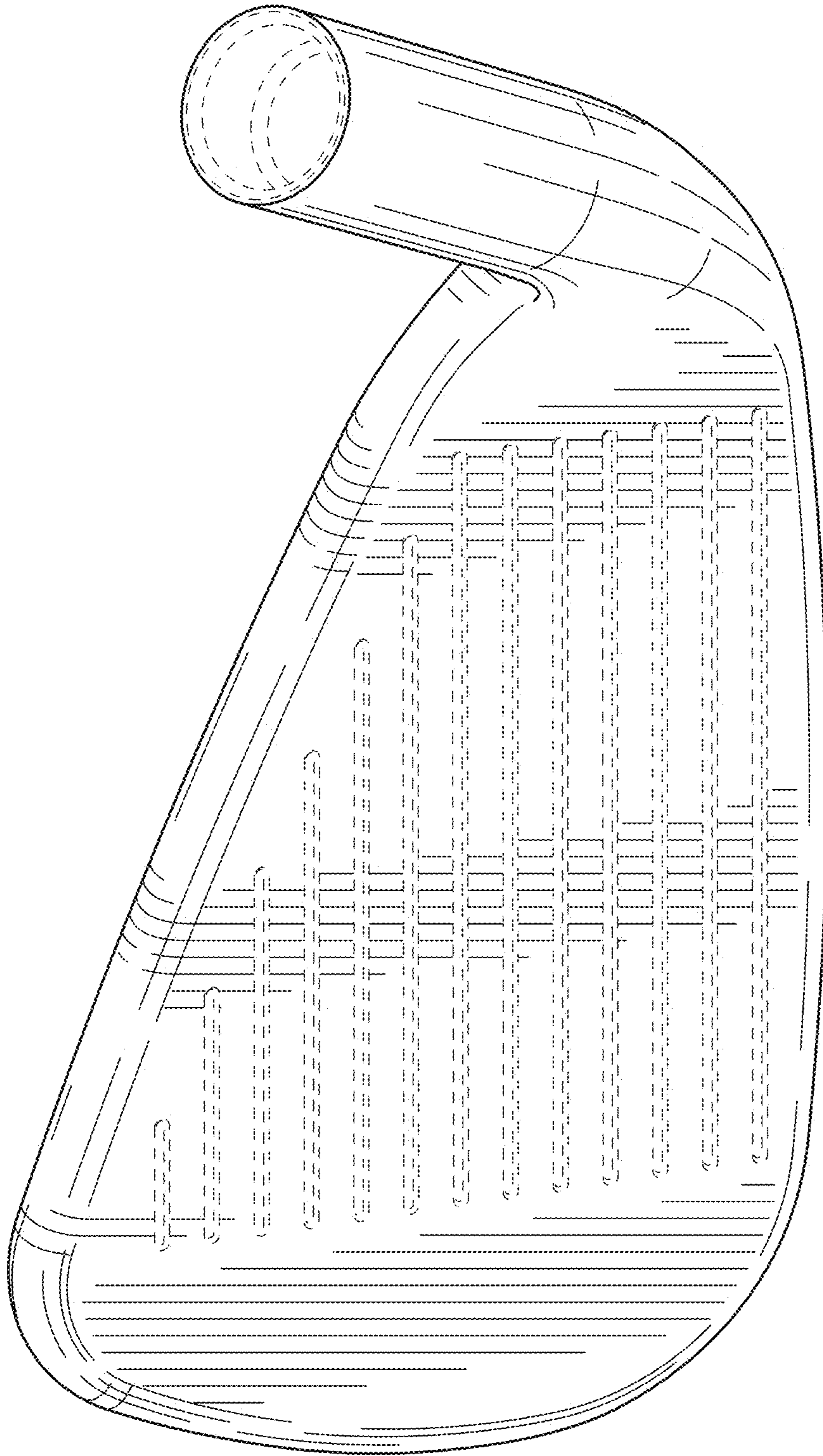


FIG. 33

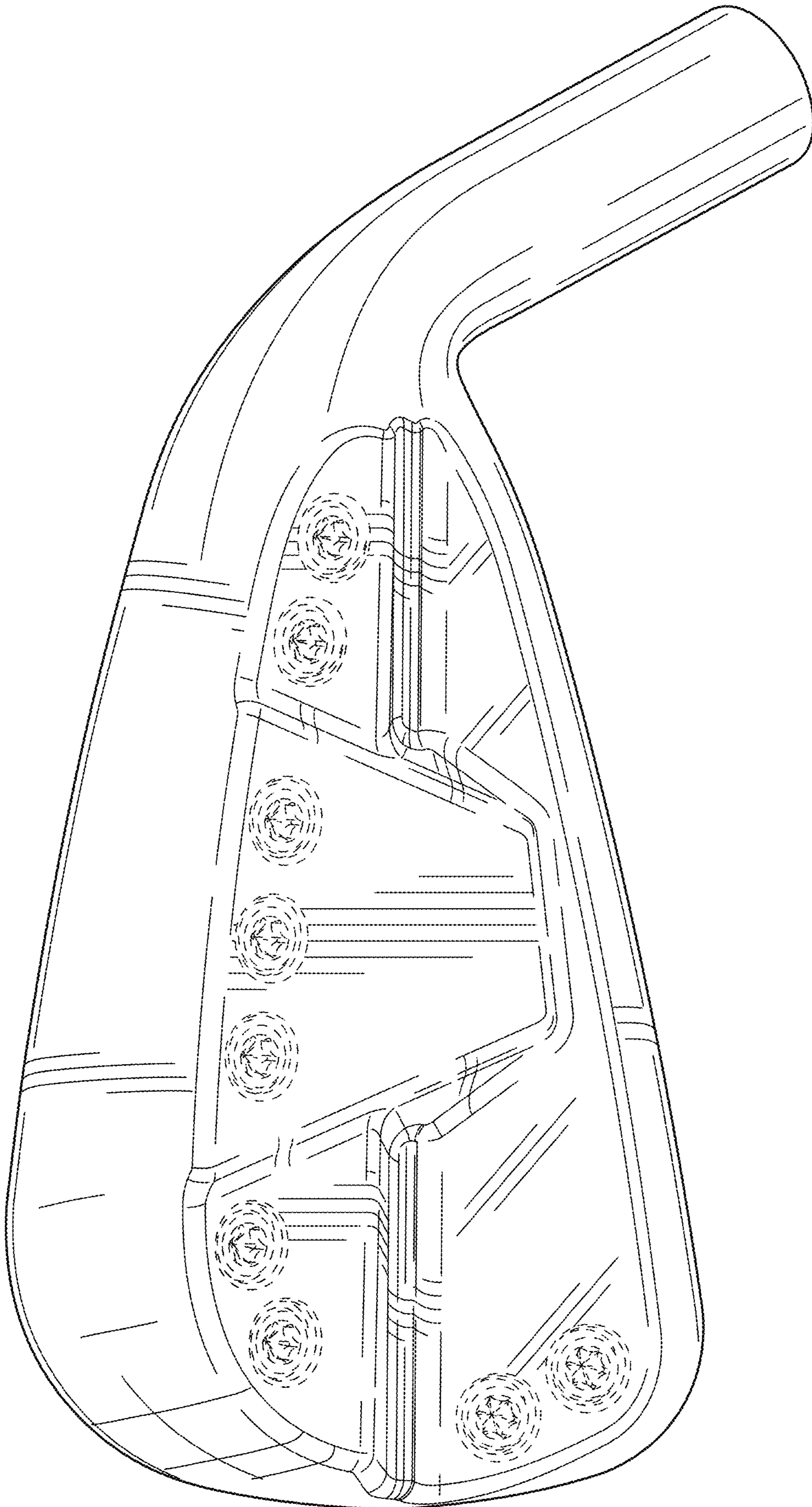


FIG. 34

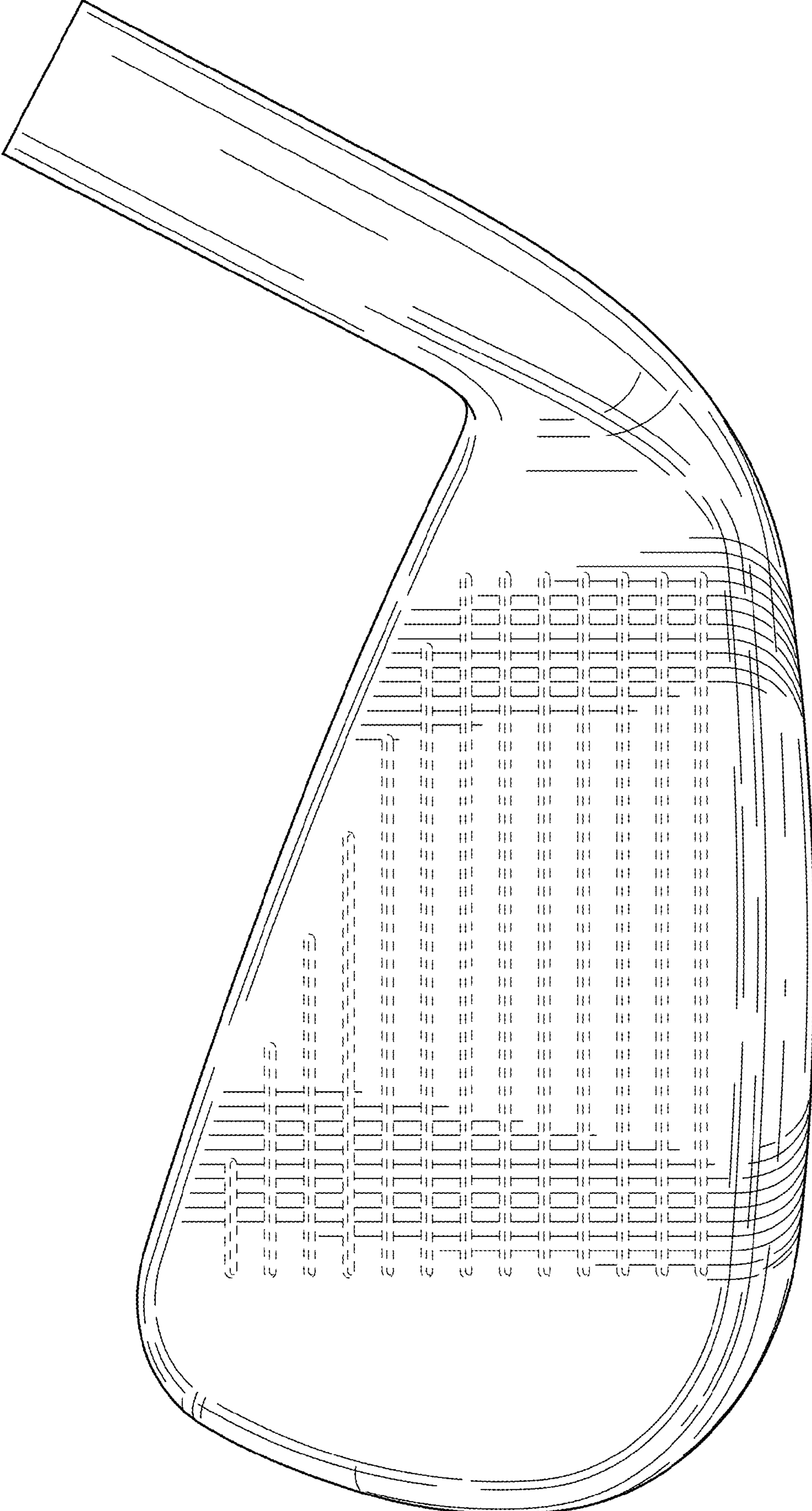


FIG. 35

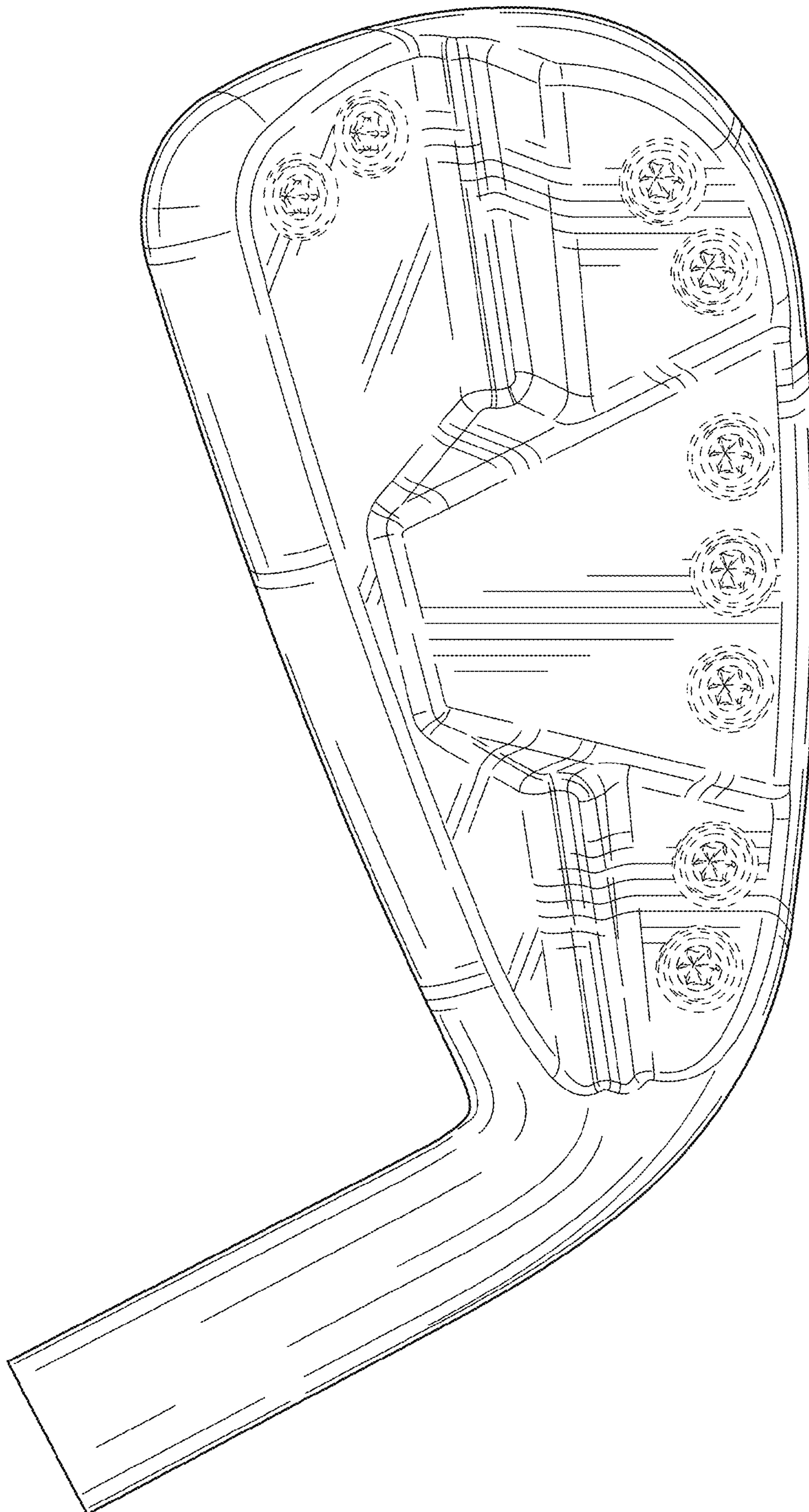


FIG. 36

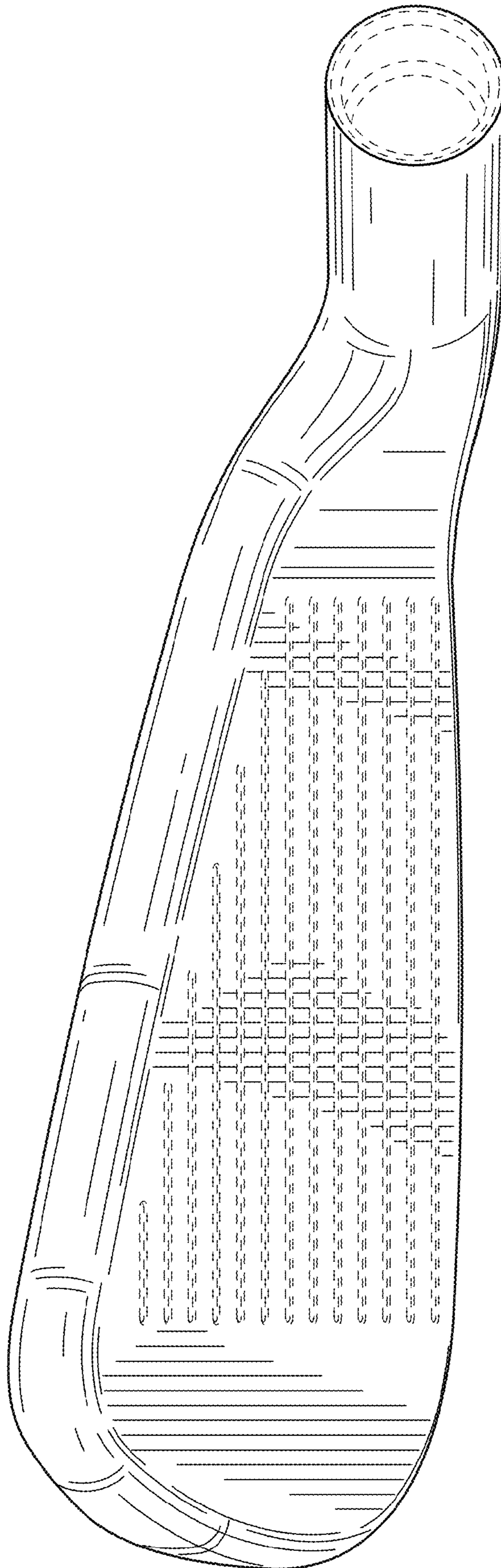


FIG. 37

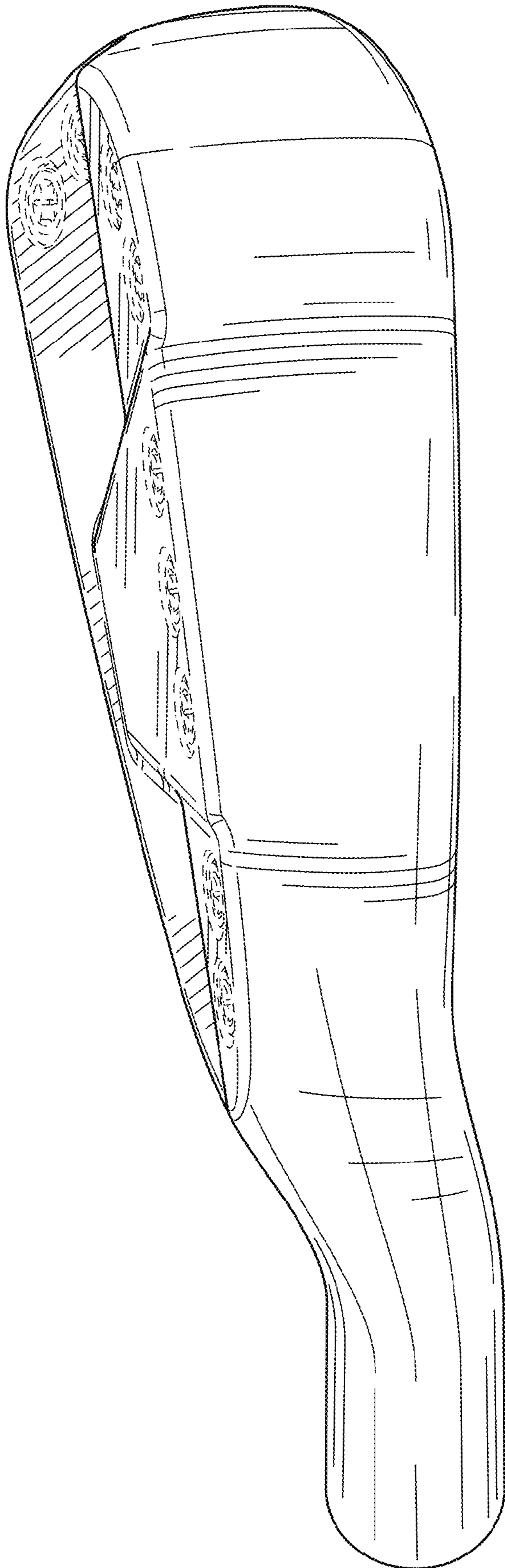


FIG. 38



FIG. 39

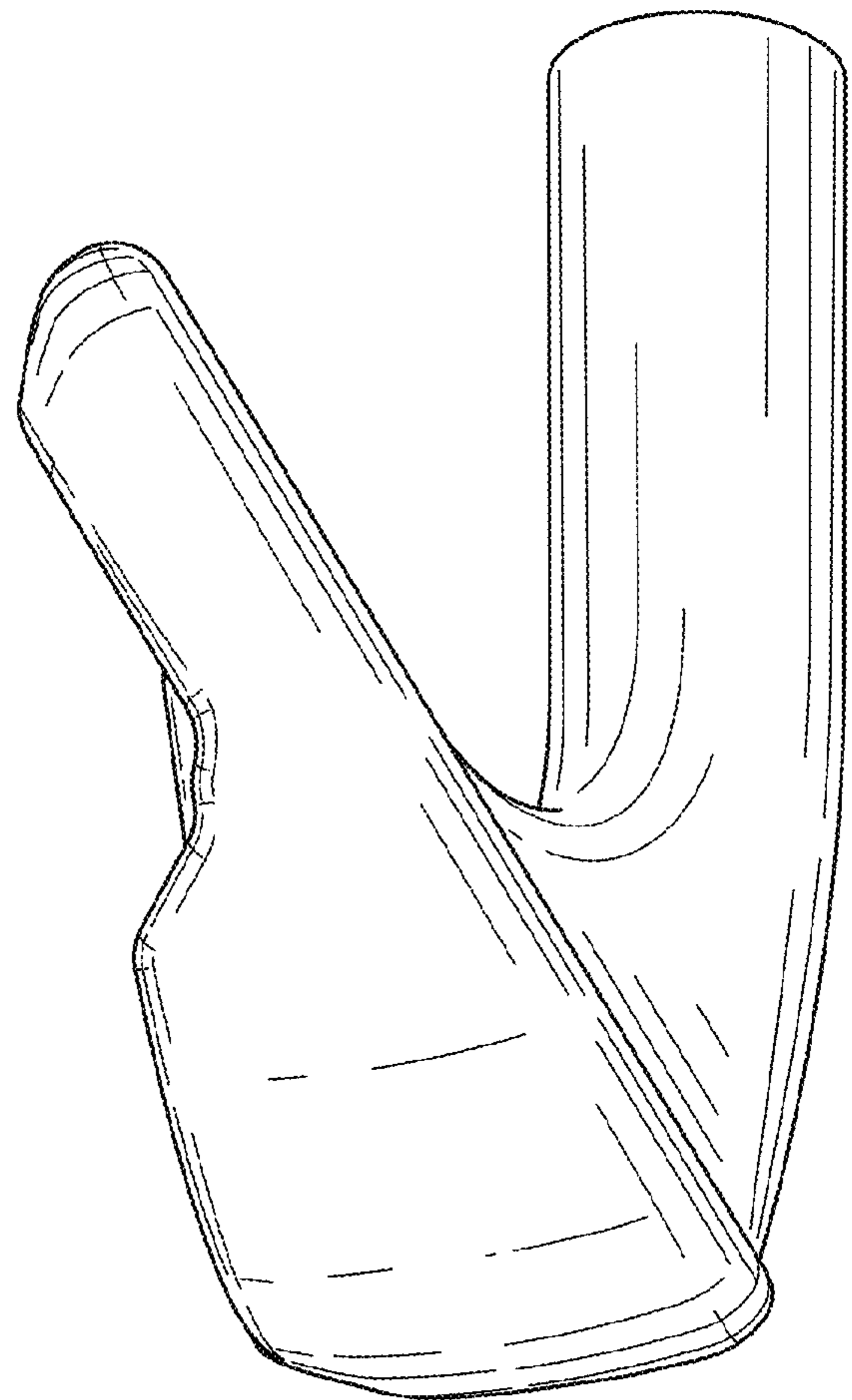


FIG. 40