



US00D893645S

(12) **United States Design Patent** (10) **Patent No.:** **US D893,645 S**
Serrano (45) **Date of Patent:** **** Aug. 18, 2020**

(54) **GOLF CLUB HEAD**

(71) Applicant: **KARSTEN MANUFACTURING CORPORATION**, Phoenix, AZ (US)

(72) Inventor: **Anthony D. Serrano**, Anthem, AZ (US)

(73) Assignee: **Karsten Manufacturing Corporation**, Phoenix, AZ (US)

(**) Term: **15 Years**

(21) Appl. No.: **29/665,403**

(22) Filed: **Oct. 3, 2018**

(51) **LOC (12) Cl.** **21-02**

(52) **U.S. Cl.**
USPC **D21/743**

(58) **Field of Classification Search**
USPC **D21/736-746, 759**

(Continued)

(56) **References Cited**

U.S. PATENT DOCUMENTS

4,741,535 A 5/1988 Leonhardt
D323,867 S 2/1992 Rizzotto

(Continued)

OTHER PUBLICATIONS

<https://www.2ndswing.com/nike/golf-putters/everclear-e33/#used>, Nike Everclear E33 Putter, Jun. 13, 2017.

(Continued)

Primary Examiner — Mitchell I. Siegel

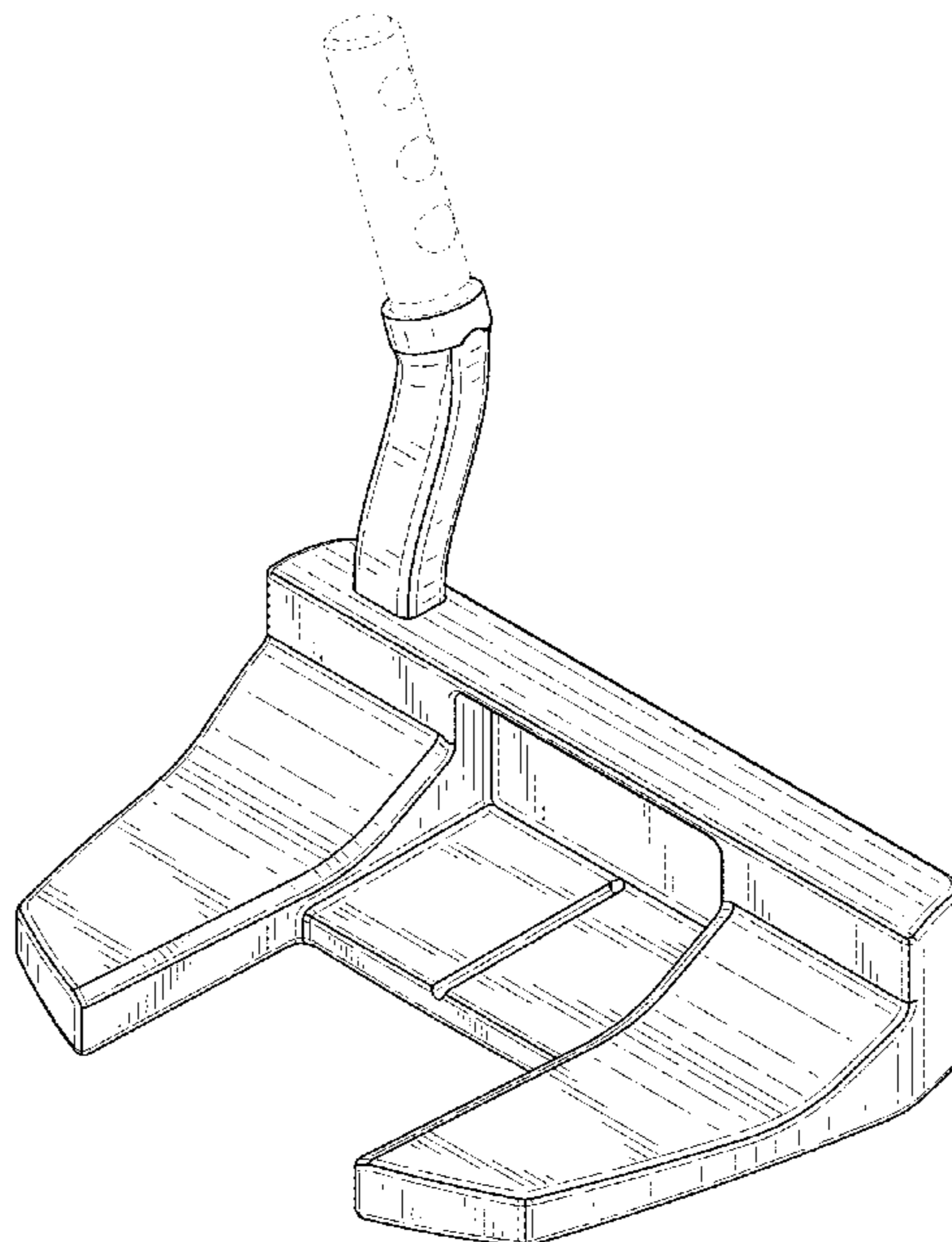
(57) **CLAIM**

The ornamental design for a golf club head, as shown and described.

DESCRIPTION

FIG. 1 is a top perspective view of a golf club head; FIG. 2 is a bottom perspective view of the golf club head of FIG. 1; FIG. 3 is a top view of the golf club head of FIG. 1; FIG. 4 is a bottom view of the golf club head of FIG. 1; FIG. 5 is a front view of the golf club head of FIG. 1; FIG. 6 is a rear view of the golf club head of FIG. 1; FIG. 7 is a heel side view of the golf club head of FIG. 1; FIG. 8 is a toe side view of the golf club head of FIG. 1; FIG. 9 is a top perspective of a second embodiment of the golf club head; FIG. 10 is a bottom perspective view of the golf club head of FIG. 9; FIG. 11 is a top view of the golf club head of FIG. 9; FIG. 12 is a bottom view of the golf club head of FIG. 9; FIG. 13 is a front view of the golf club head of FIG. 9; FIG. 14 is a rear view of the golf club head of FIG. 9; FIG. 15 is a heel side view of the golf club head of FIG. 9; FIG. 16 is a toe side view of the golf club head of FIG. 9; FIG. 17 is a top perspective of a third embodiment of the golf club head; FIG. 18 is a bottom perspective view of the golf club head of FIG. 17; FIG. 19 is a top view of the golf club head of FIG. 17; FIG. 20 is a bottom view of the golf club head of FIG. 17; FIG. 21 is a front view of the golf club head of FIG. 17; FIG. 22 is a rear view of the golf club head of FIG. 17; FIG. 23 is a heel side view of the golf club head of FIG. 17; and, FIG. 24 is a toe side view of the golf club head of FIG. 17. The broken lines shown are included for the purpose of illustrating unclaimed subject matter and forms no part of the claimed design.

1 Claim, 17 Drawing Sheets



- (58) **Field of Classification Search**
 CPC A63B 53/00; A63B 53/04; A63B 53/007;
 A63B 53/065; A63B 53/0487; A63B
 60/00; A63B 60/46
 See application file for complete search history.

(56) **References Cited**

U.S. PATENT DOCUMENTS

D350,177	S	*	8/1994	Ramirez	D21/745
D359,330	S	*	6/1995	Channell	D21/741
D381,382	S	*	7/1997	Fenton, Jr.	D21/743
5,997,409	A		12/1999	Mattson		
D421,471	S		3/2000	Moldovan		
D436,638	S	*	1/2001	Carrier	D21/744
D505,702	S	*	5/2005	Wood	D21/736
D517,143	S	*	3/2006	Petsel	D21/742
D532,844	S	*	11/2006	Rollinson	D21/736
D532,845	S	*	11/2006	Rollinson	D21/736
7,331,876	B2	*	2/2008	Klein A63B 53/007	
						473/251
D564,607	S	*	3/2008	Oldknow	D21/736
D568,954	S	*	5/2008	Oldknow	D21/759
D573,673	S		7/2008	Noyes		
D574,908	S	*	8/2008	Hettinger	D21/743
D582,497	S	*	12/2008	Rollinson	D21/744
D589,575	S	*	3/2009	Kim	D21/744
D590,461	S	*	4/2009	Kim	D21/743
D591,807	S	*	5/2009	Rollinson	D21/744
D595,373	S	*	6/2009	Kim	D21/744
D604,787	S	*	11/2009	Hopkins	D21/736
D621,458	S		8/2010	Serrano et al.		
D670,774	S	*	11/2012	Seiff	D21/736
D688,341	S	*	8/2013	Rollinson	D21/746

D691,226	S	*	10/2013	Hilton	D21/746
D699,308	S	*	2/2014	Rollinson	D21/736
D701,274	S	*	3/2014	Rollinson	D21/736
D726,270	S	*	4/2015	Rollinson	D21/759
D728,715	S	*	5/2015	Cameron	D21/736
D730,464	S	*	5/2015	Cameron	D21/743
D731,605	S	*	6/2015	Rollinson	D21/736
D768,248	S	*	10/2016	Rollinson	D21/744
D771,208	S	*	11/2016	Bettinardi	D21/744
D773,573	S	*	12/2016	Abbott	D21/744
D776,771	S	*	1/2017	Peterson	D21/744
D777,270	S	*	1/2017	Rollinson	D21/744
D799,617	S	*	10/2017	Becktor	D21/742
D801,459	S	*	10/2017	Rollinson	D21/746
D807,453	S	*	1/2018	Serrano	D21/743
D812,164	S	*	3/2018	Parsons	D21/742
D813,963	S	*	3/2018	Lapuz	D21/742
D815,222	S	*	4/2018	Serrano	D21/743
D815,703	S	*	4/2018	Schweigert	D21/736
D832,381	S	*	10/2018	Serrano	D21/743
D844,722	S	*	4/2019	Wang	D21/736

OTHER PUBLICATIONS

<https://www.scottycameron.com/archives/putters/2016/futura-x/futura-x5/>, Futura X5, Jun. 13, 2017.
<https://www.clevelandgolf.com/en/clubs-tfi-2135-elevado-putter/MTFI2135ELEV.html>, TFI 2135 Elevado Putter, Jun. 13, 2017.
<http://rifegolf.com/store#!~/product/category=8856002&id=34731881>, Rife General Left-hand Putter, Jun. 13, 2017.
<https://forums.golfwrx.com/discussion/1683476/ping-pld-prototype-putter> (Aug. 21, 2018).

* cited by examiner

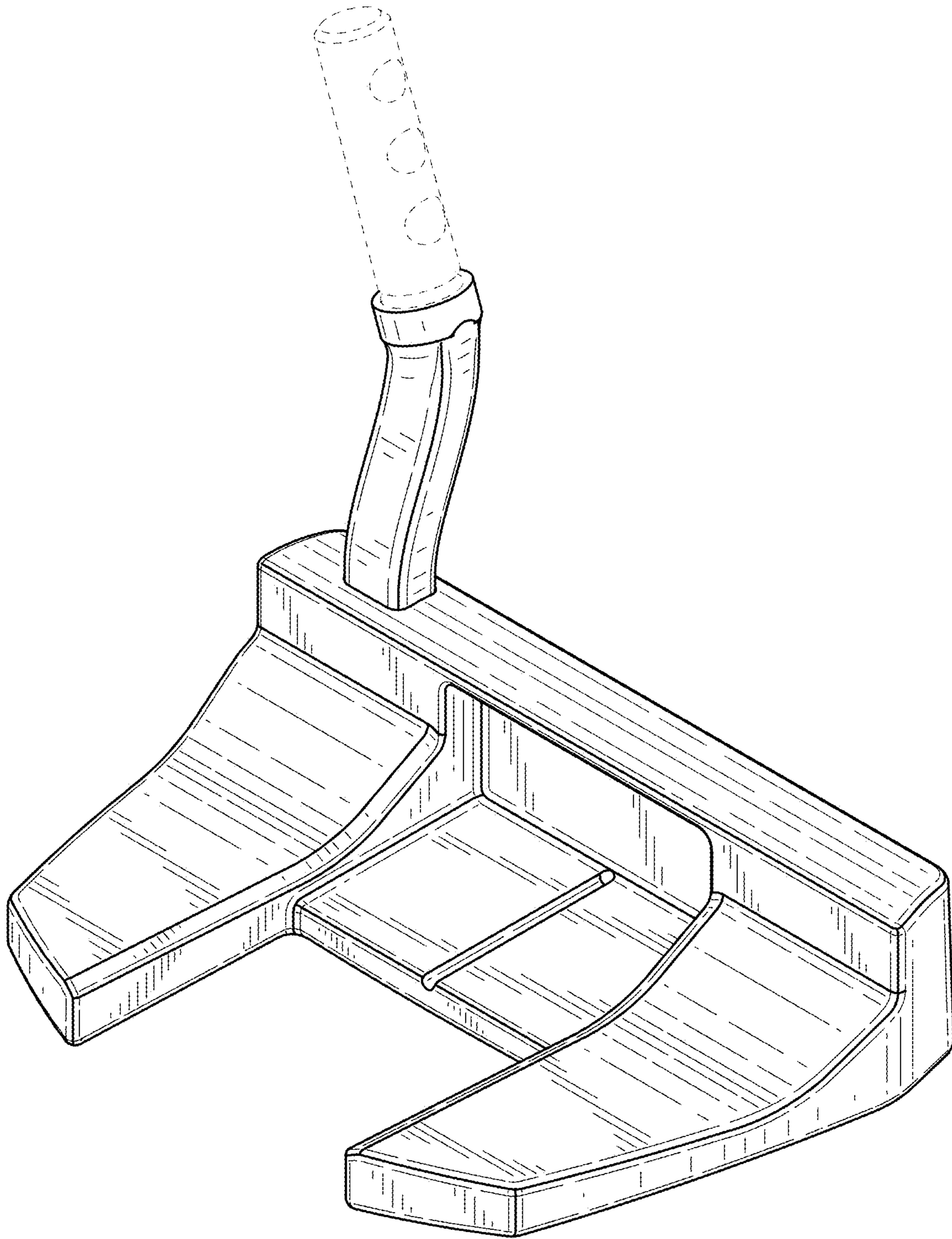


FIG. 1

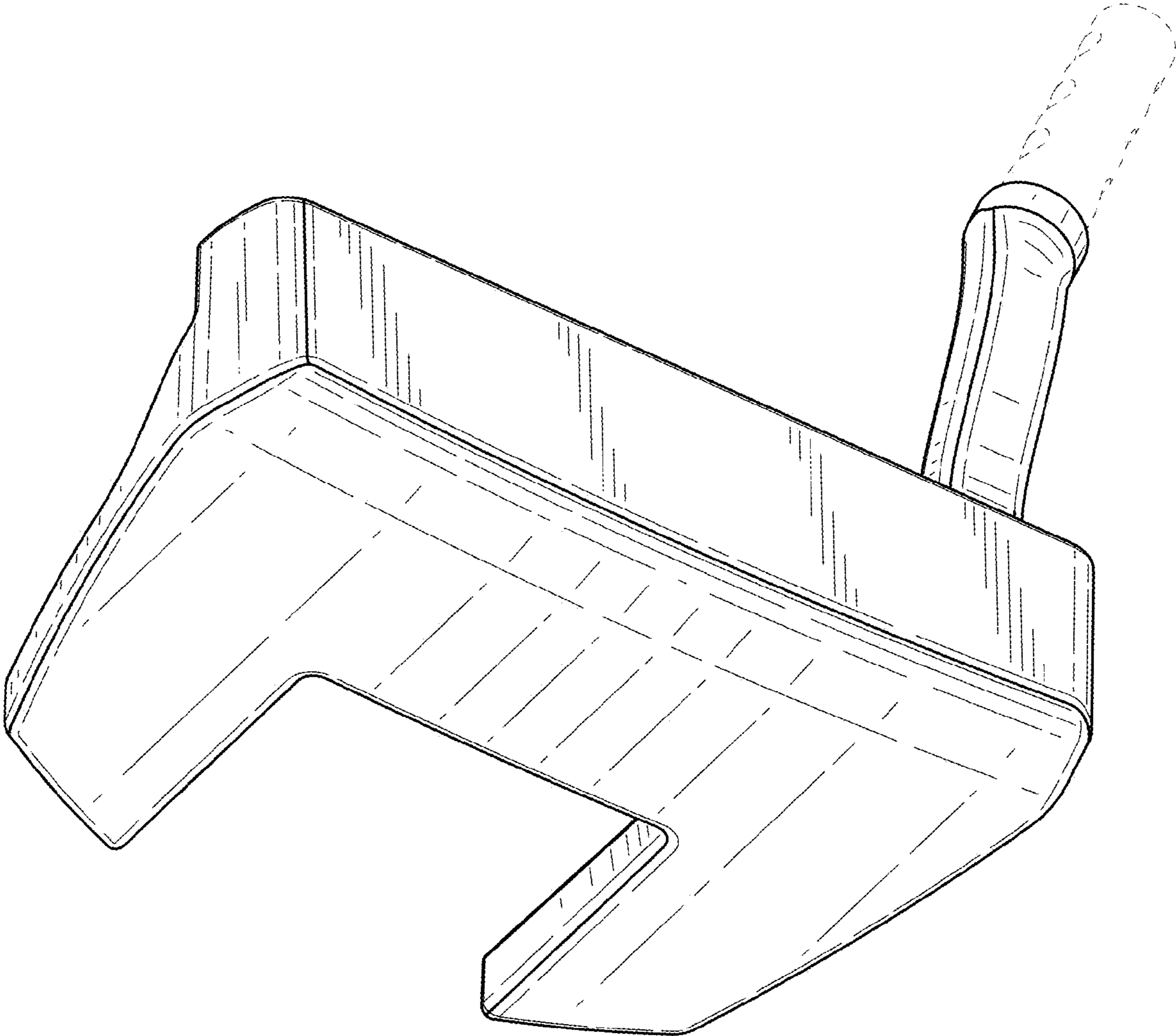


FIG. 2

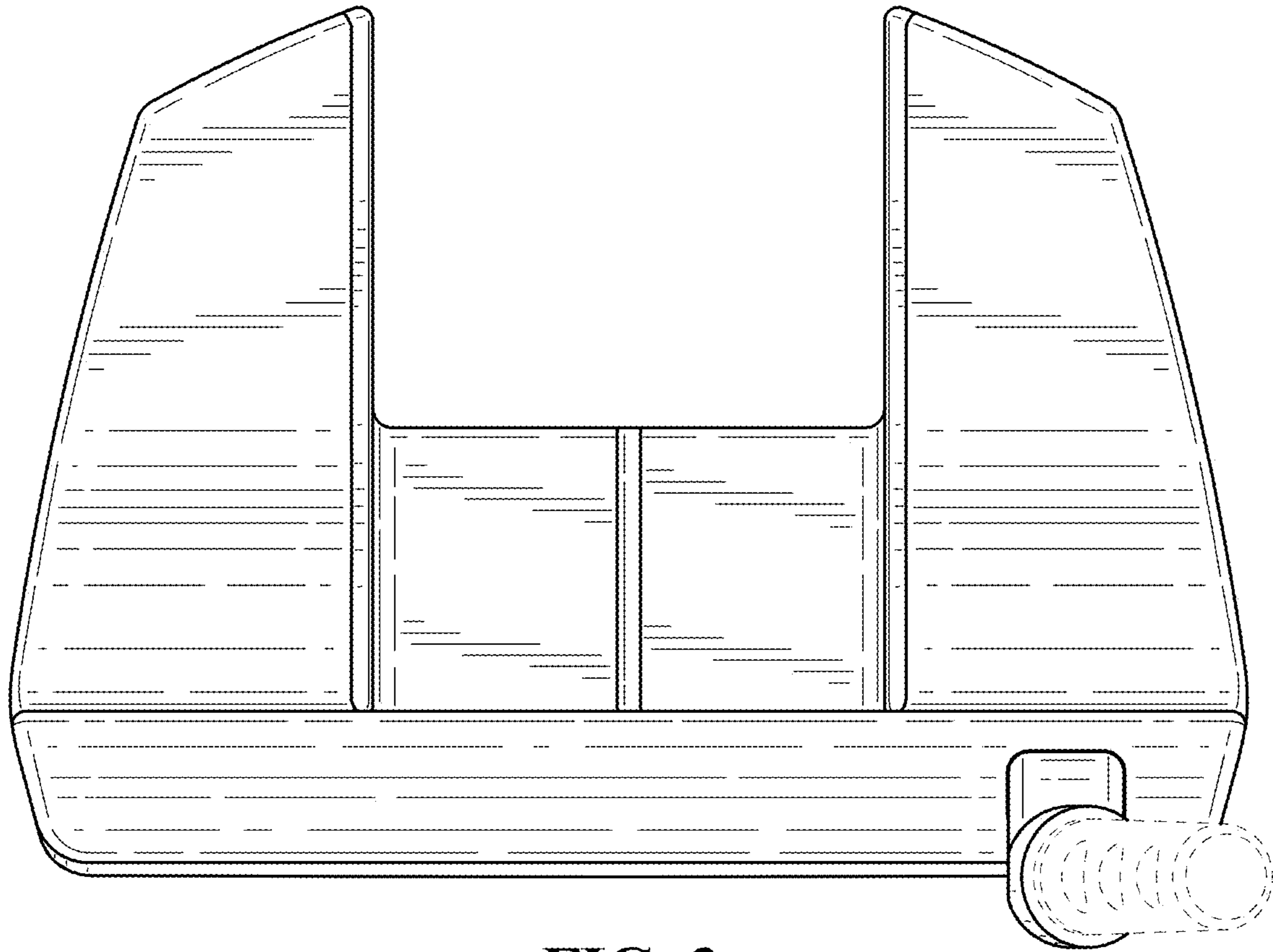


FIG. 3

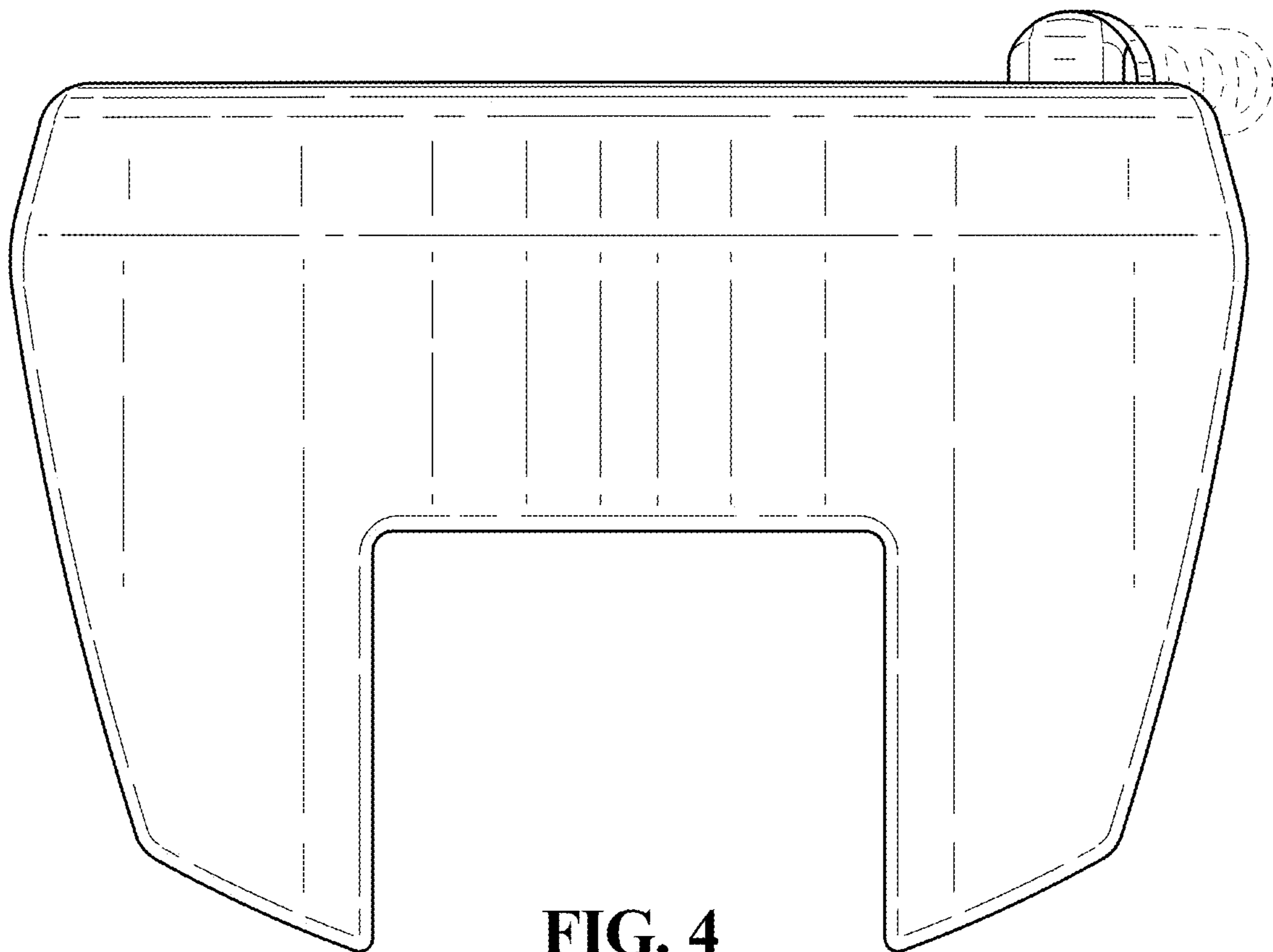


FIG. 4

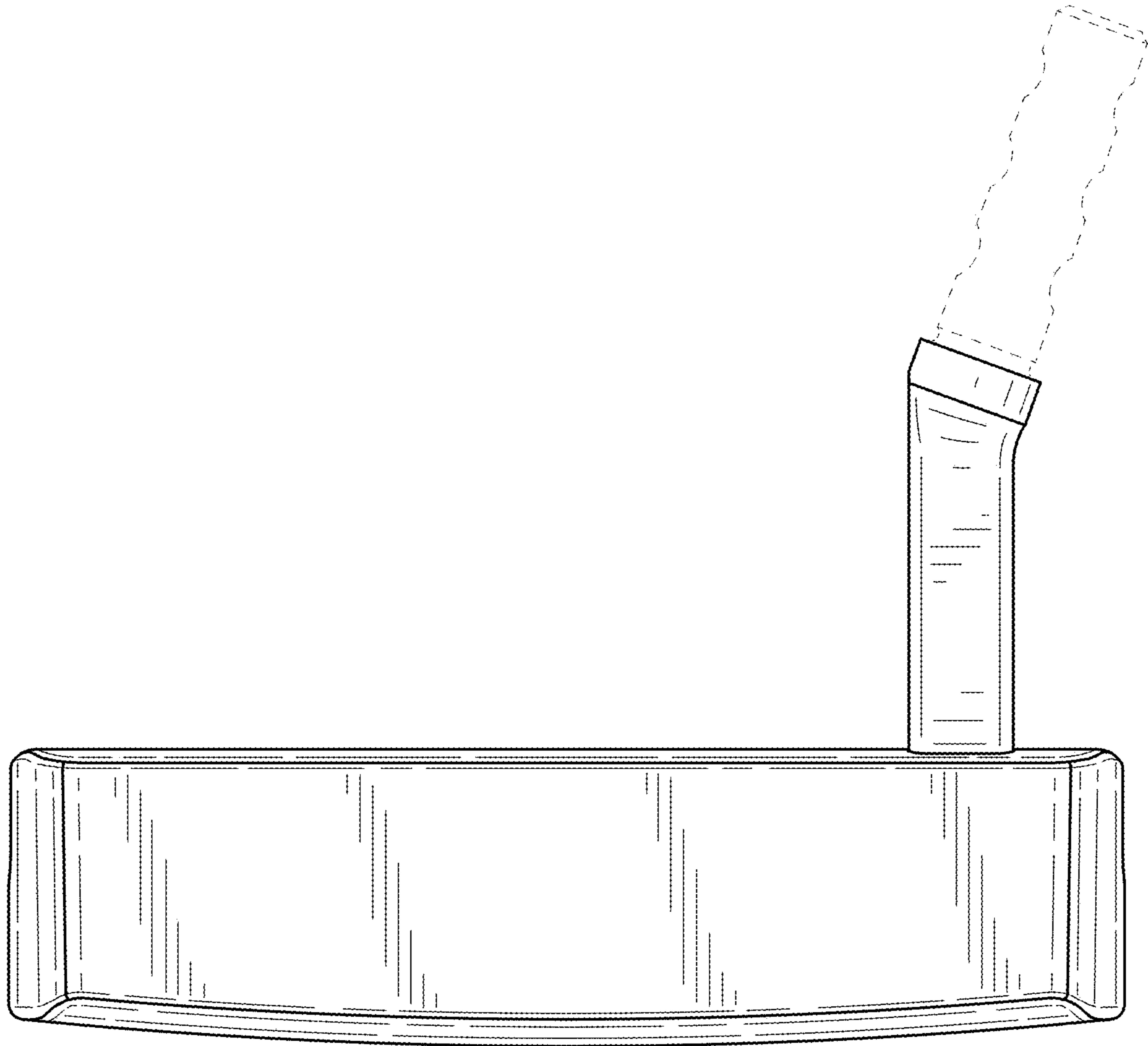


FIG. 5

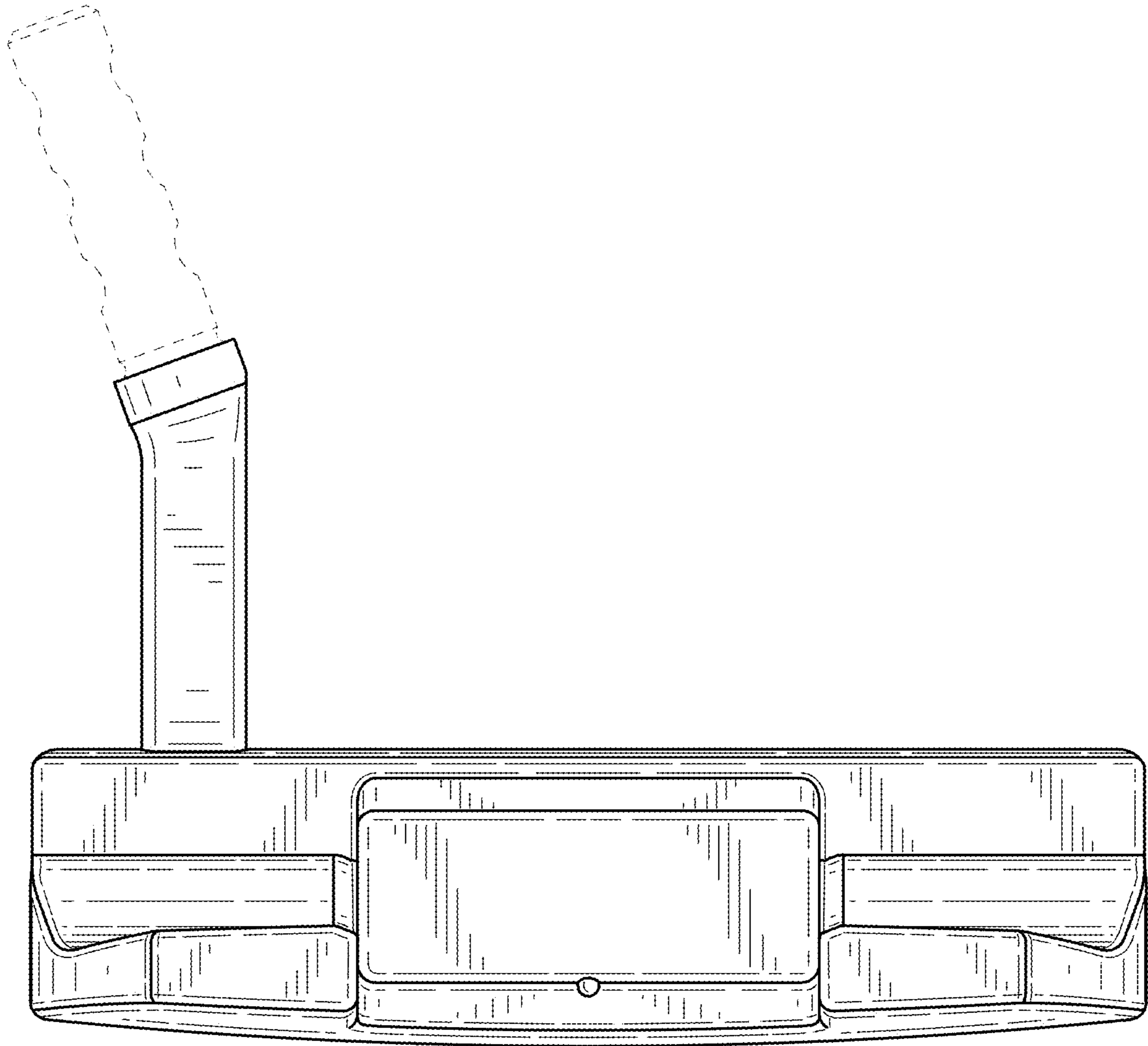


FIG. 6

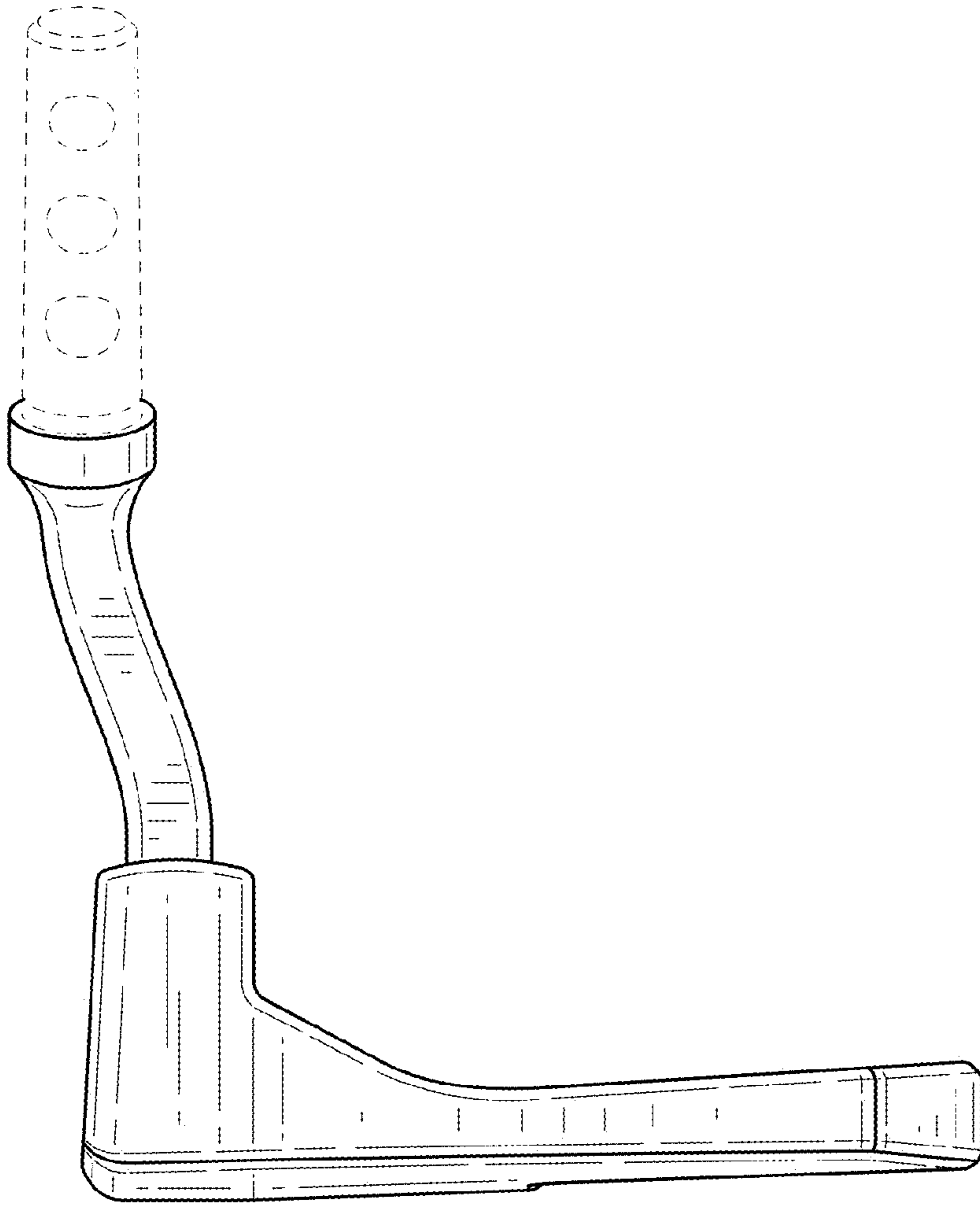


FIG. 7

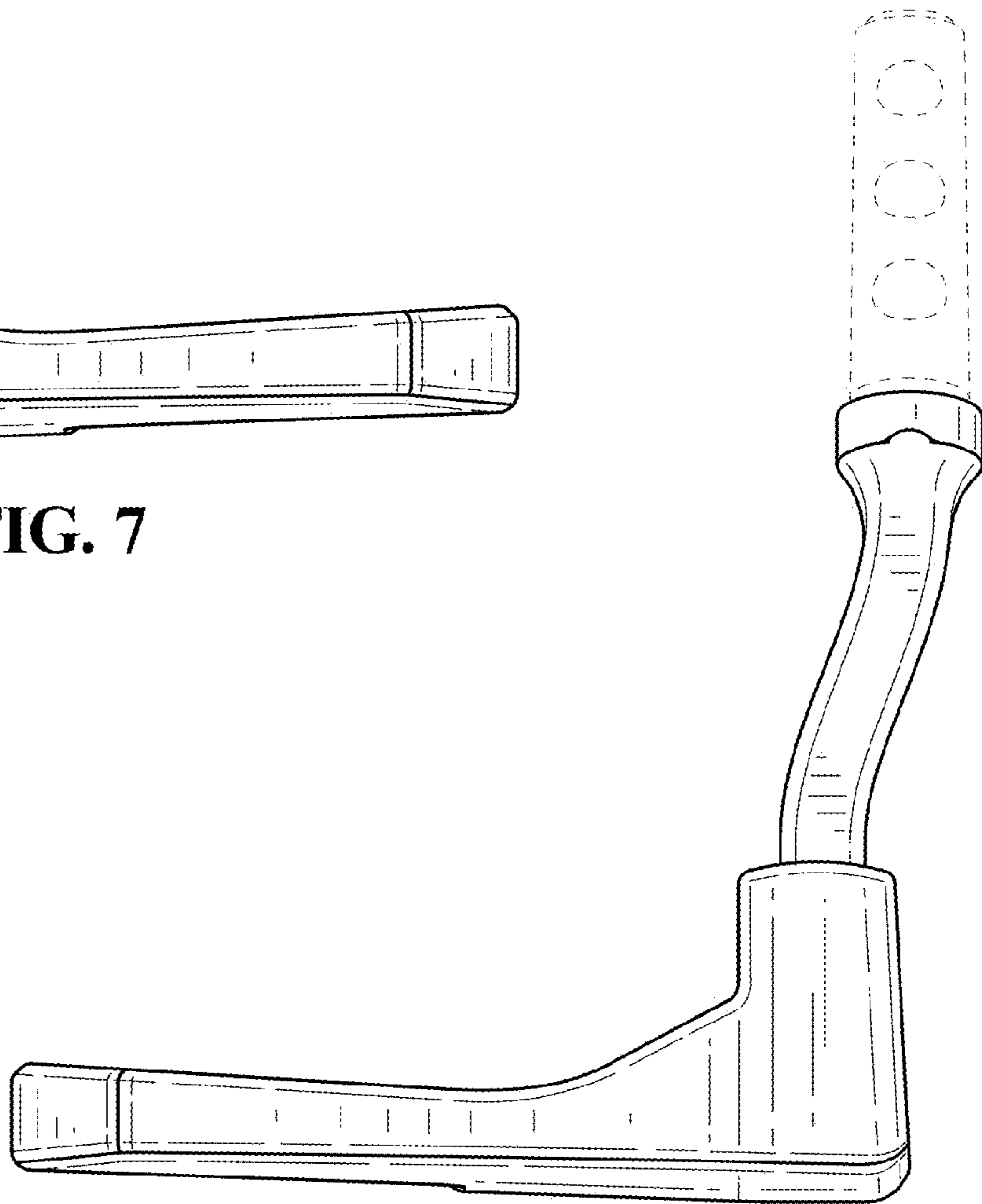


FIG. 8

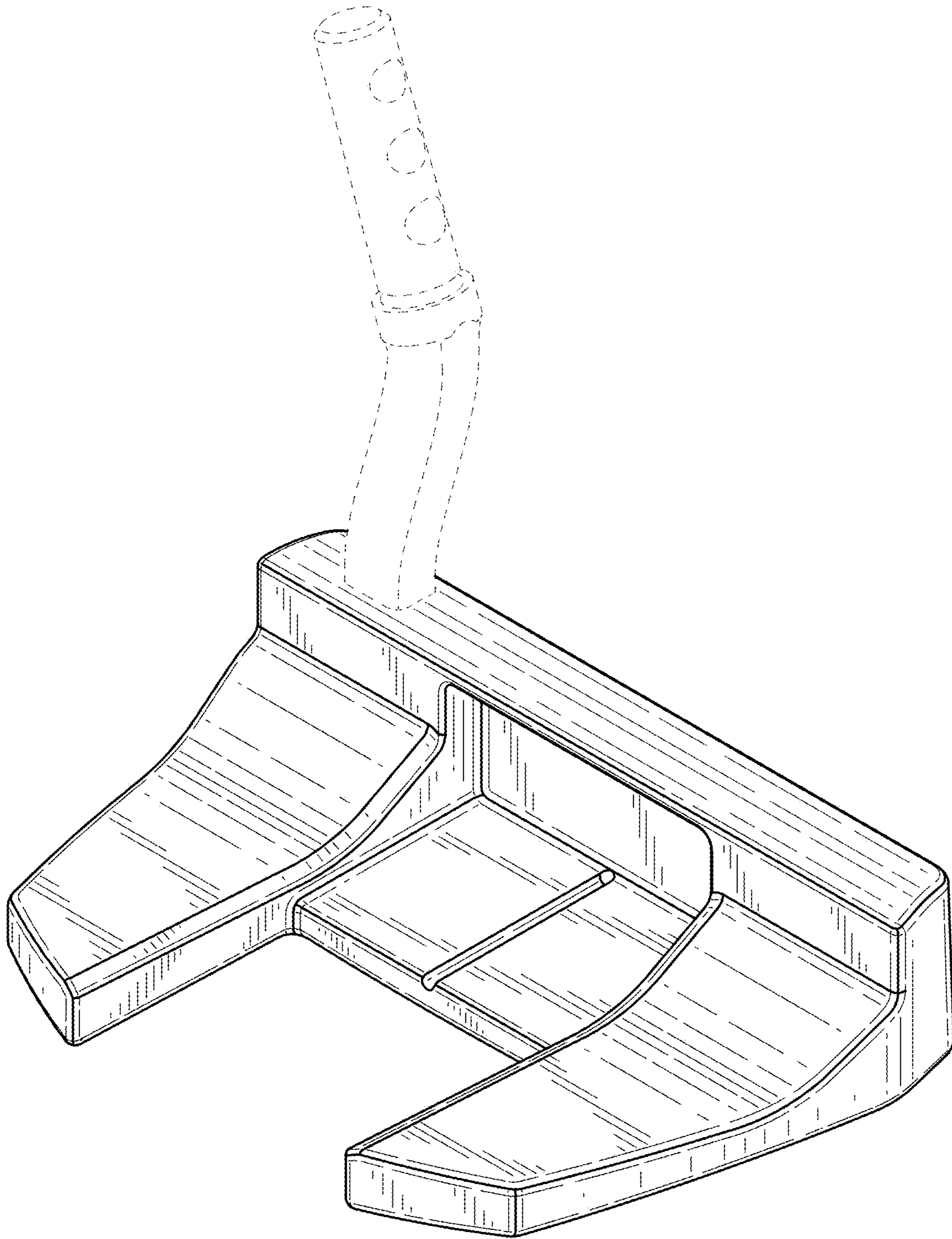


FIG. 9

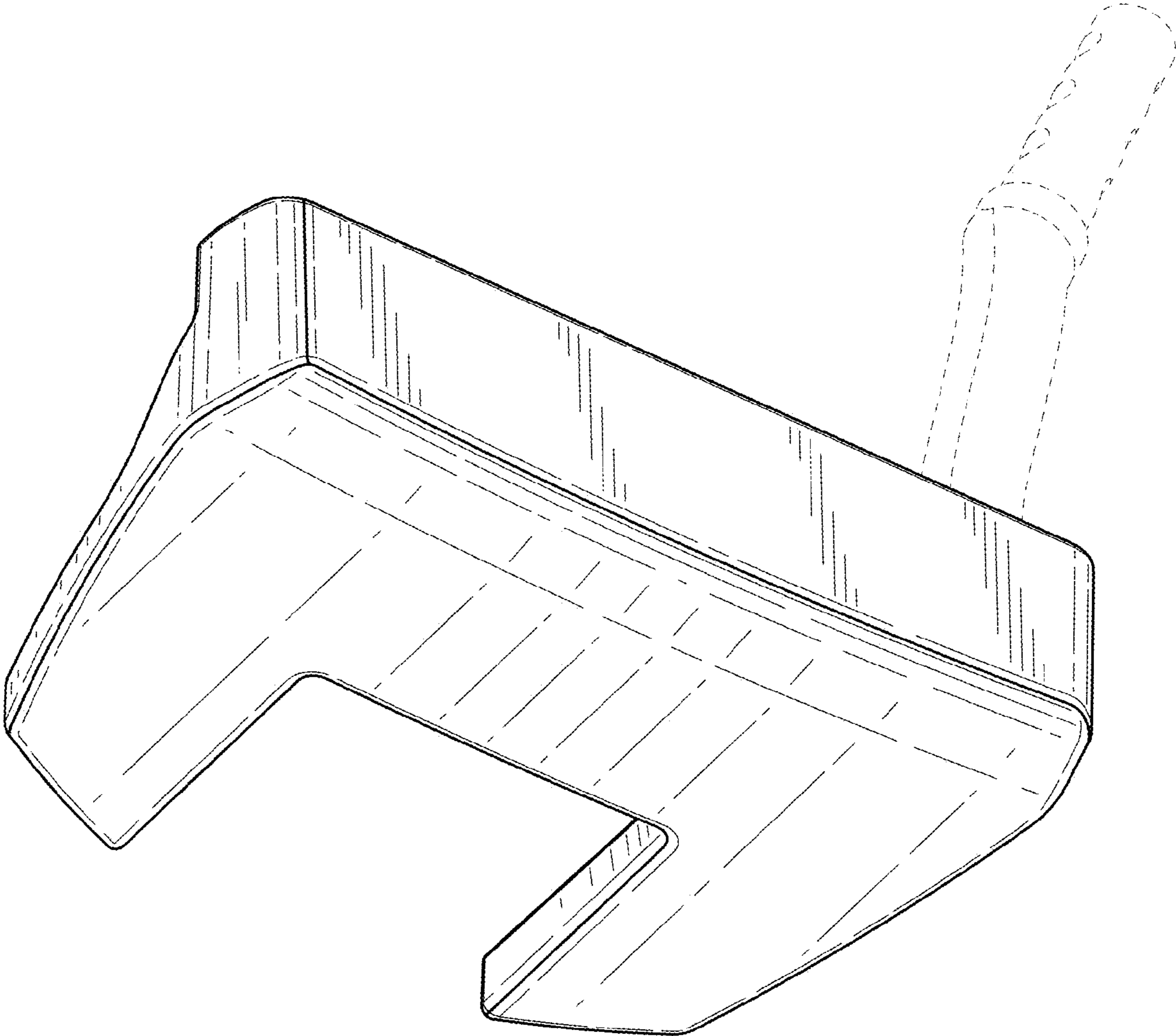


FIG. 10

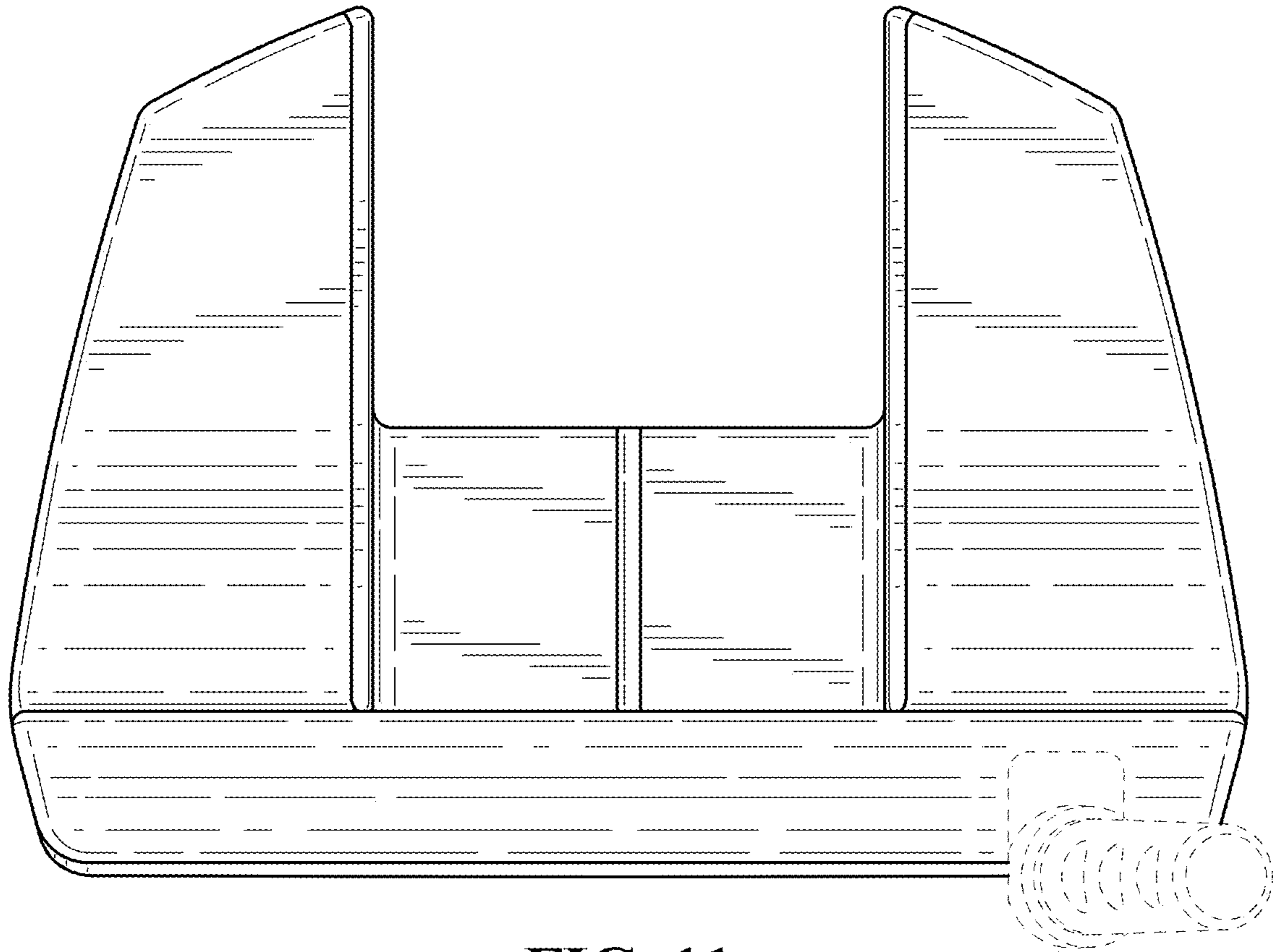


FIG. 11

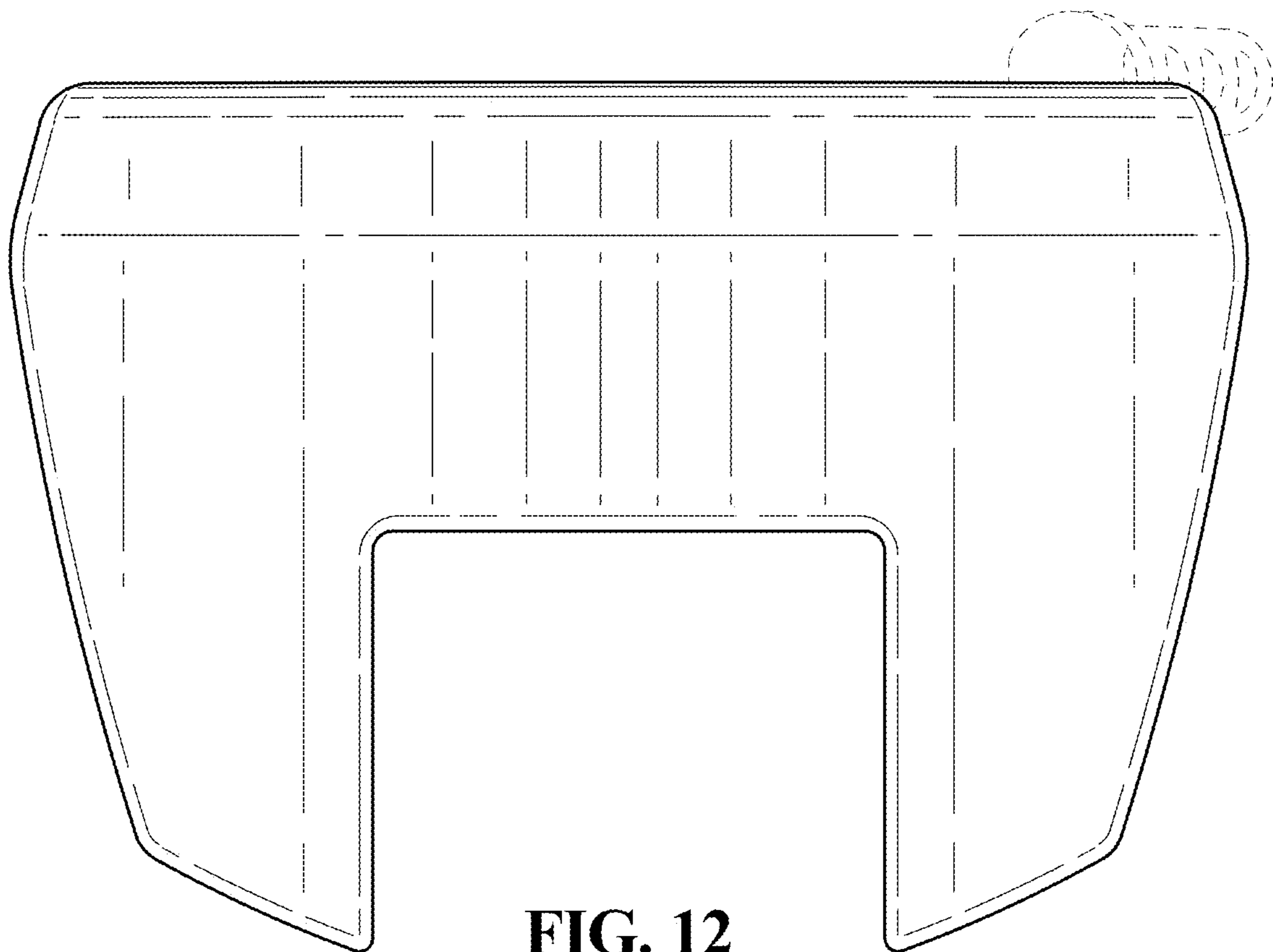


FIG. 12

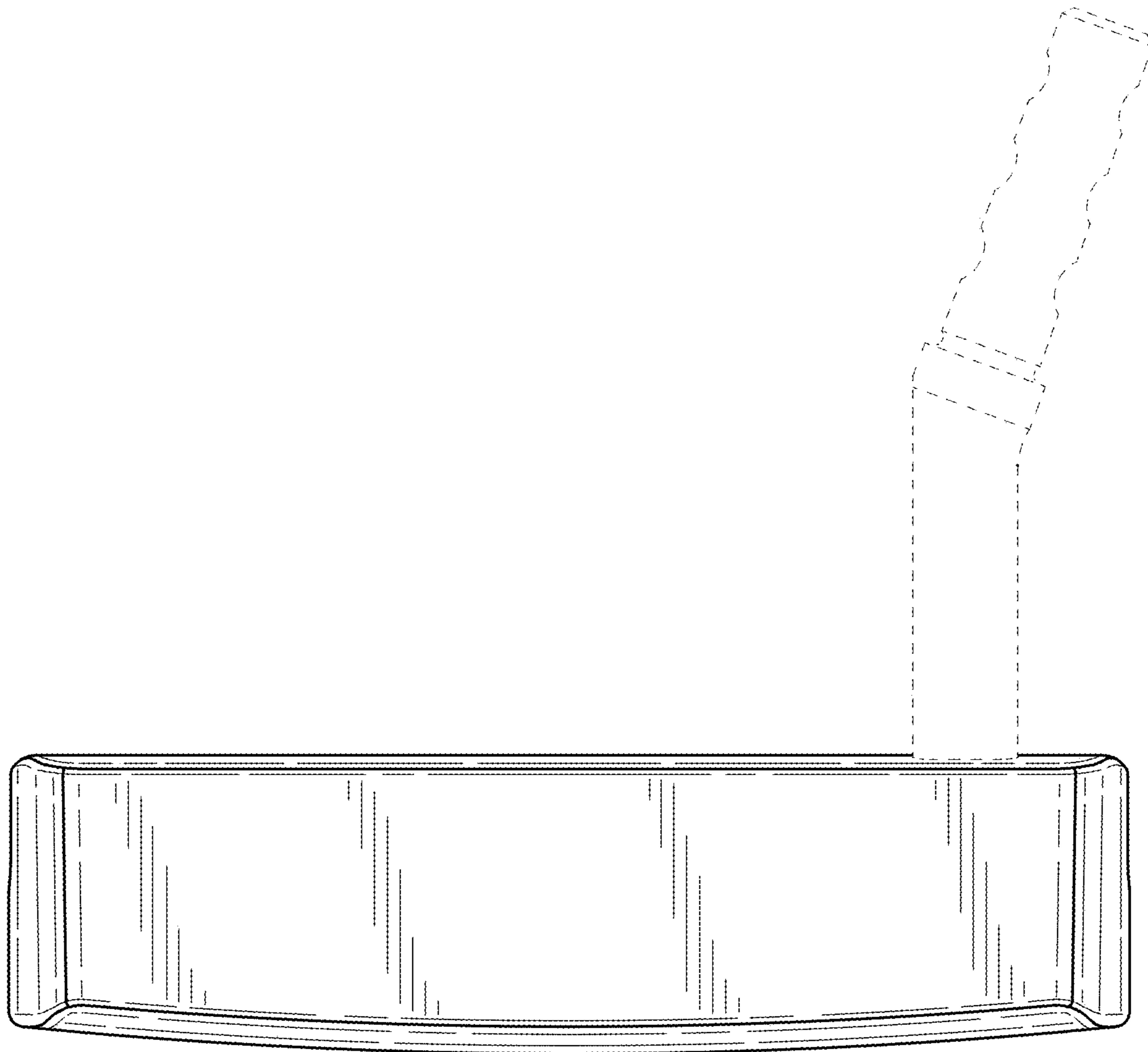


FIG. 13

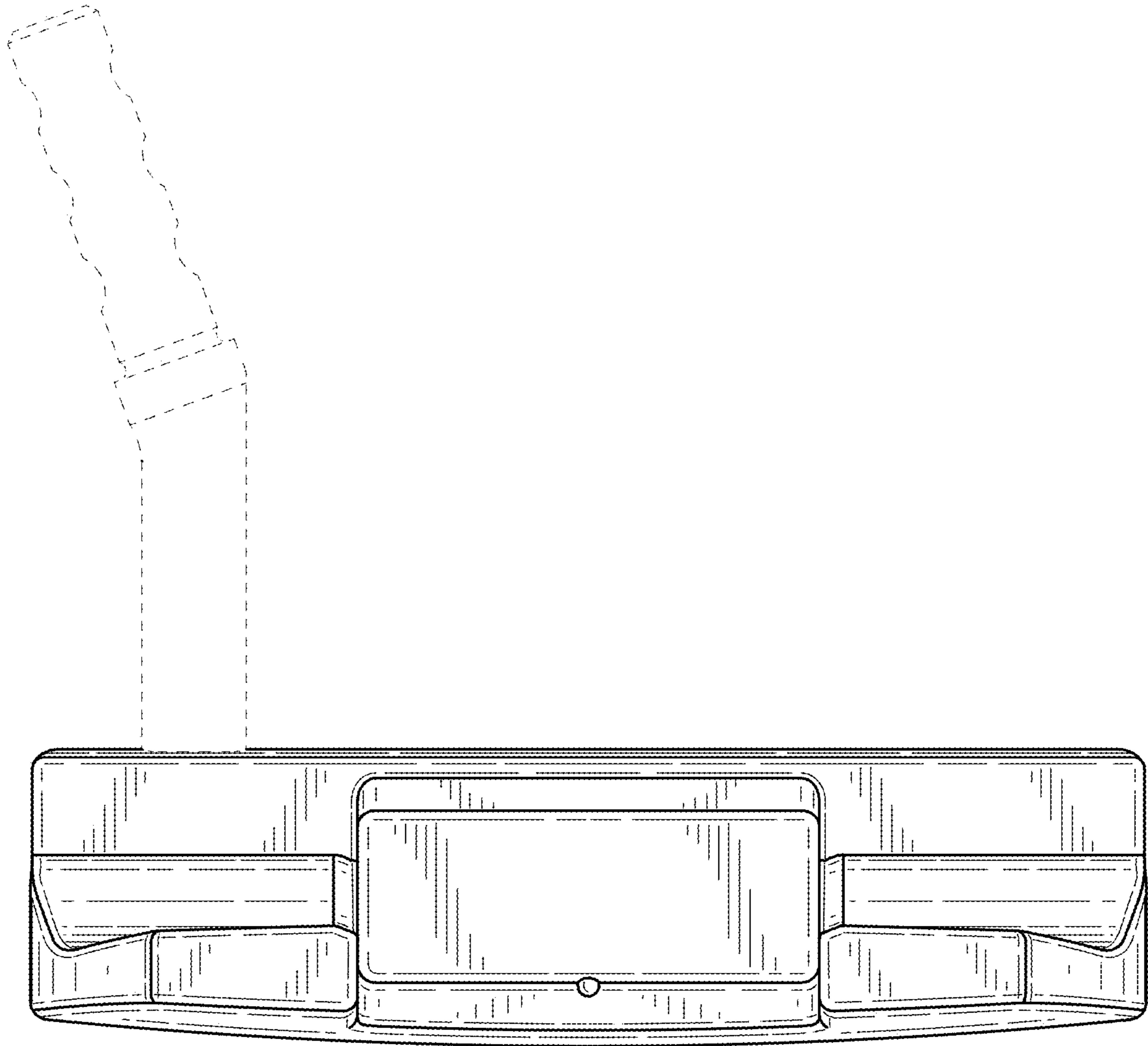


FIG. 14

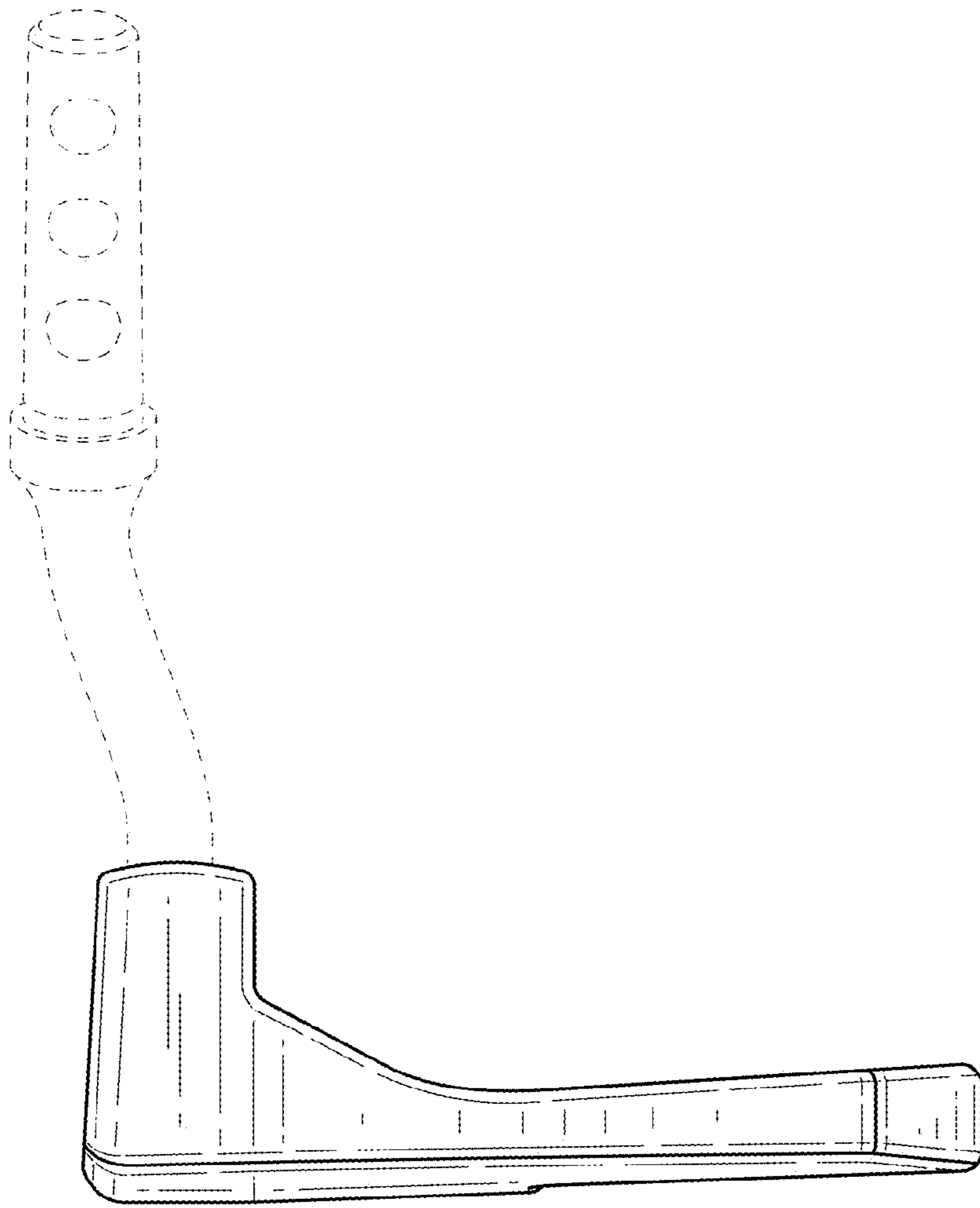


FIG. 15

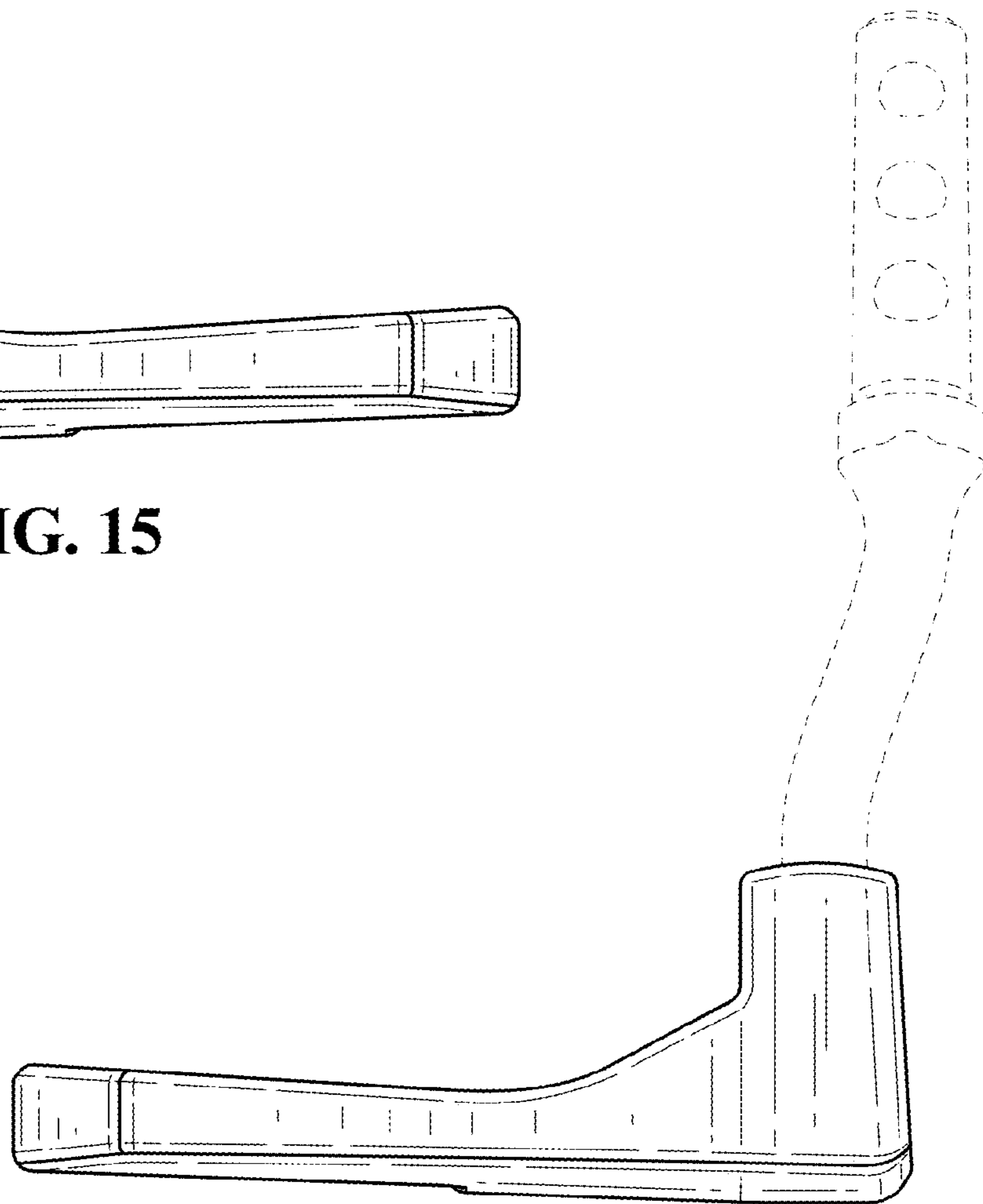


FIG. 16

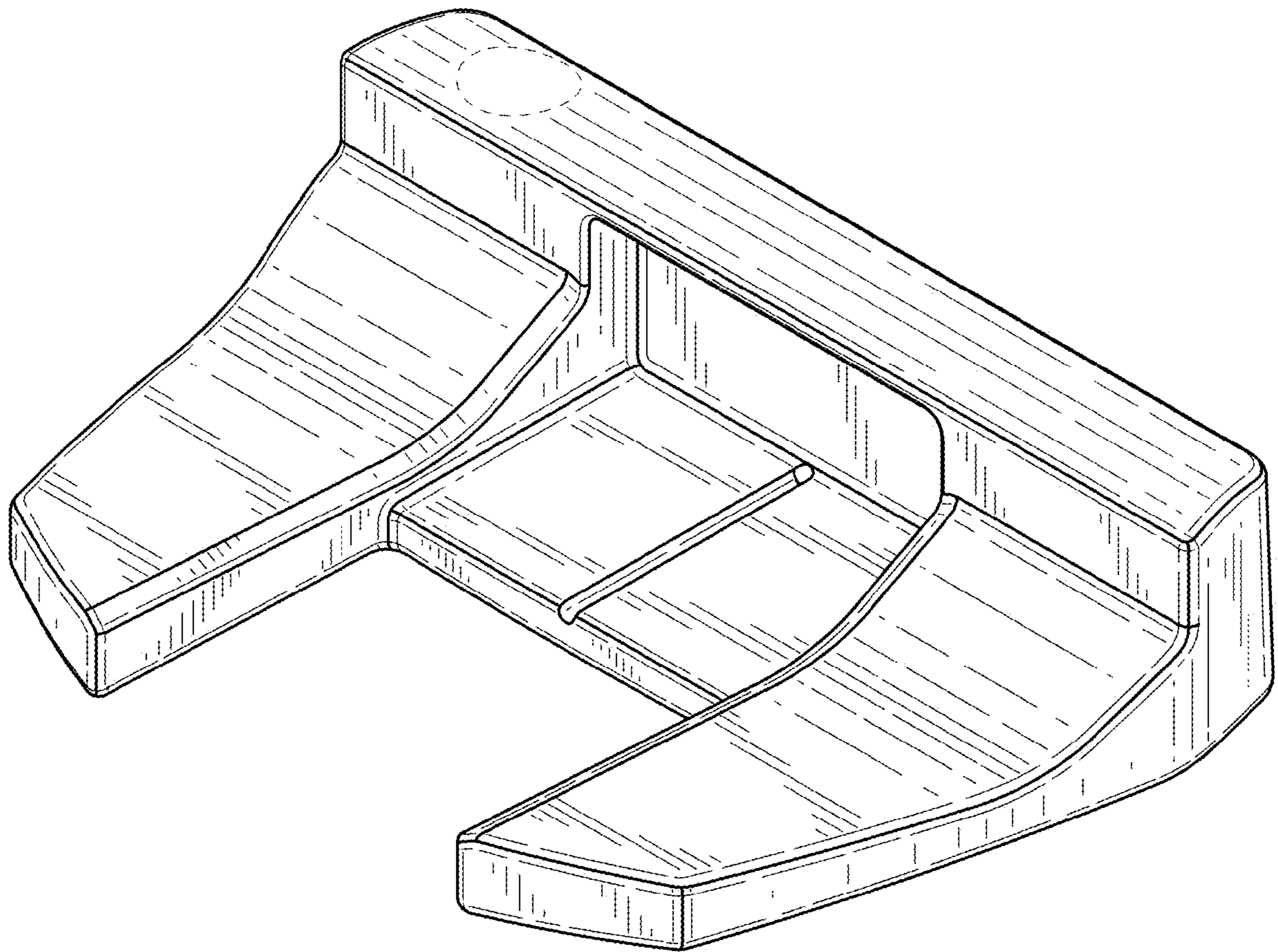


FIG. 17

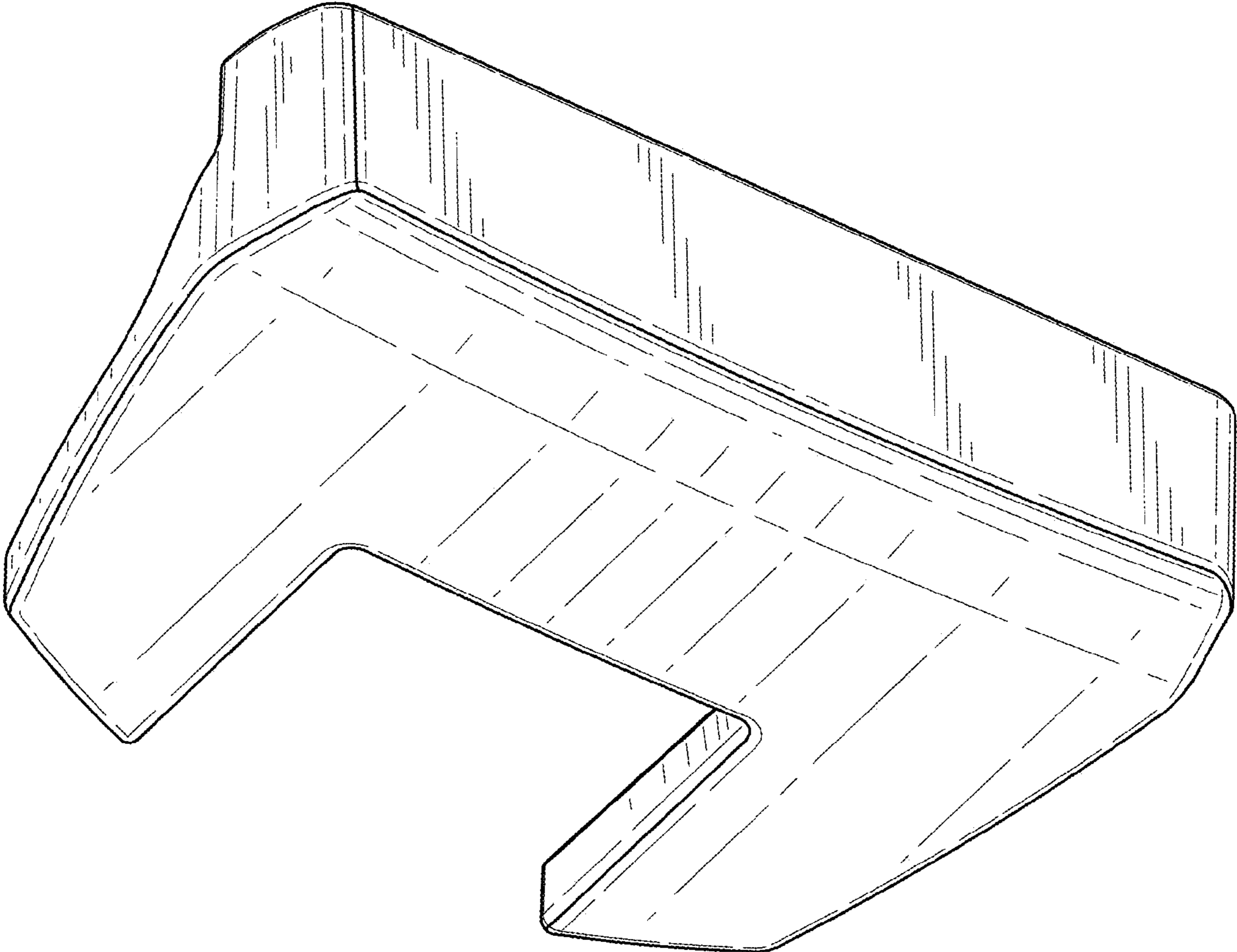


FIG. 18

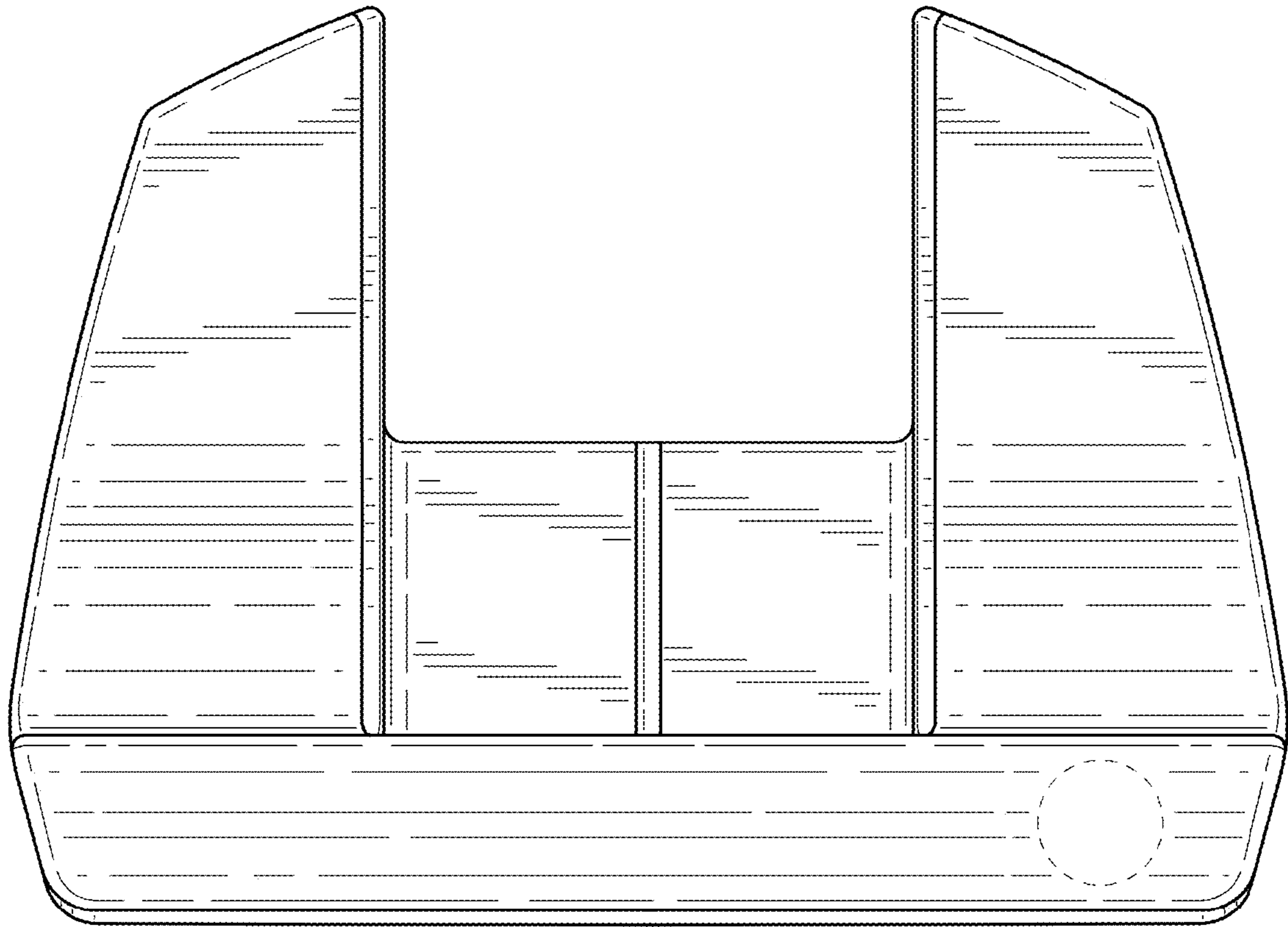


FIG. 19

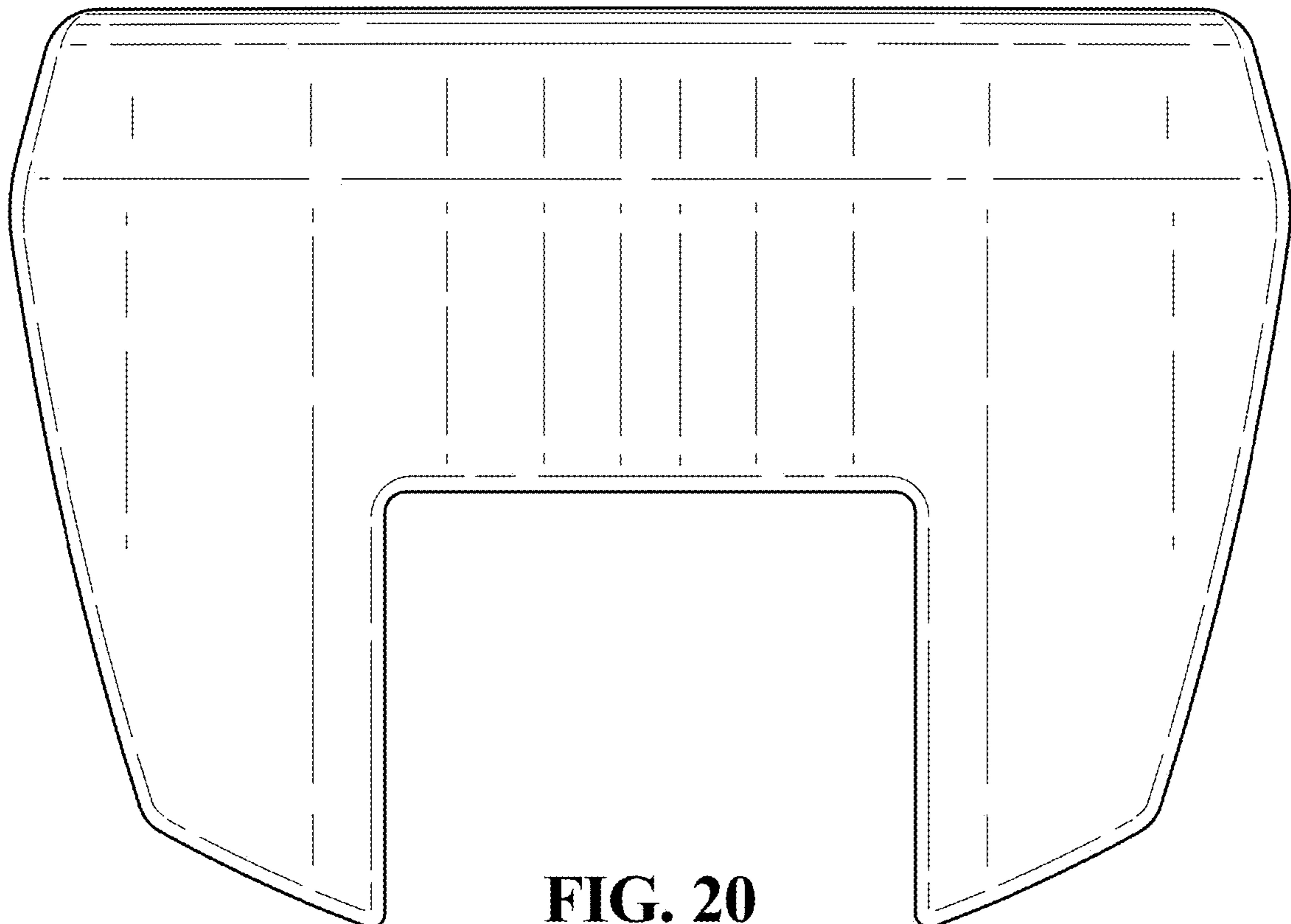


FIG. 20

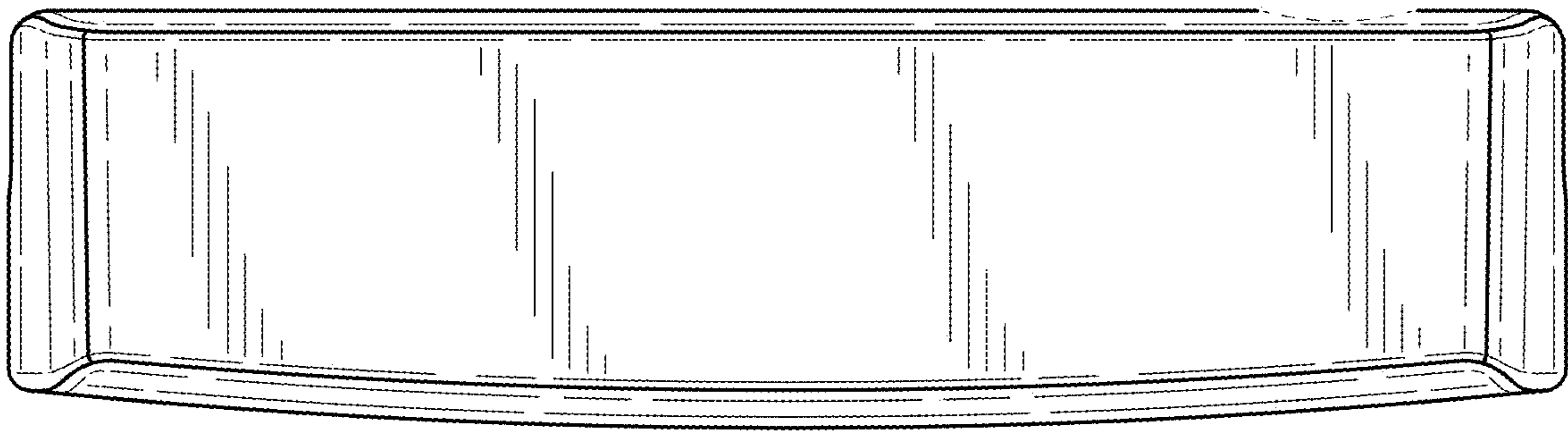


FIG. 21

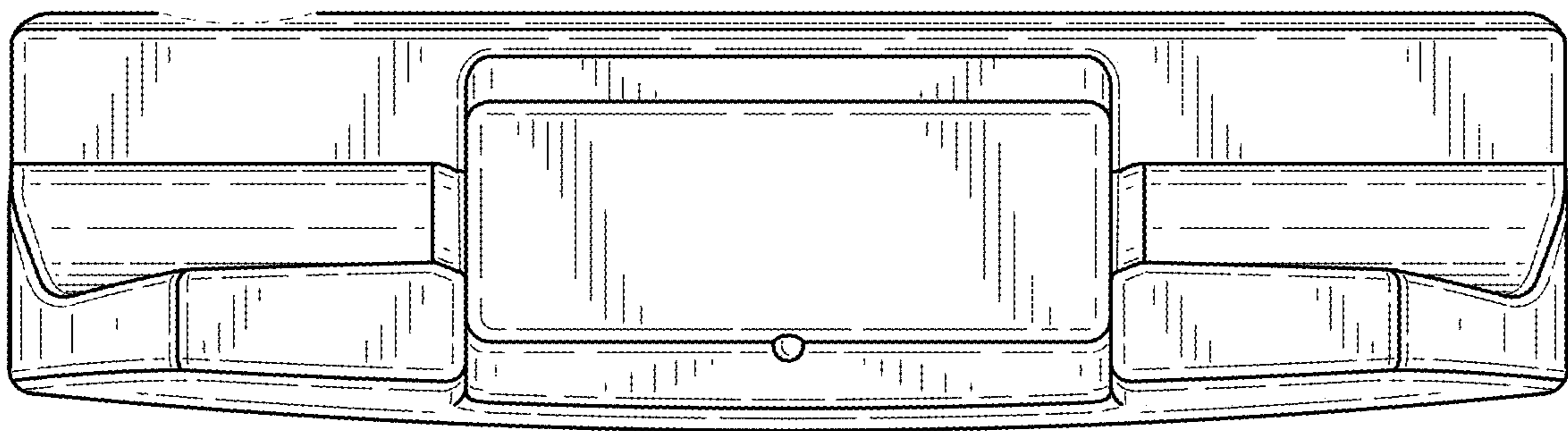


FIG. 22

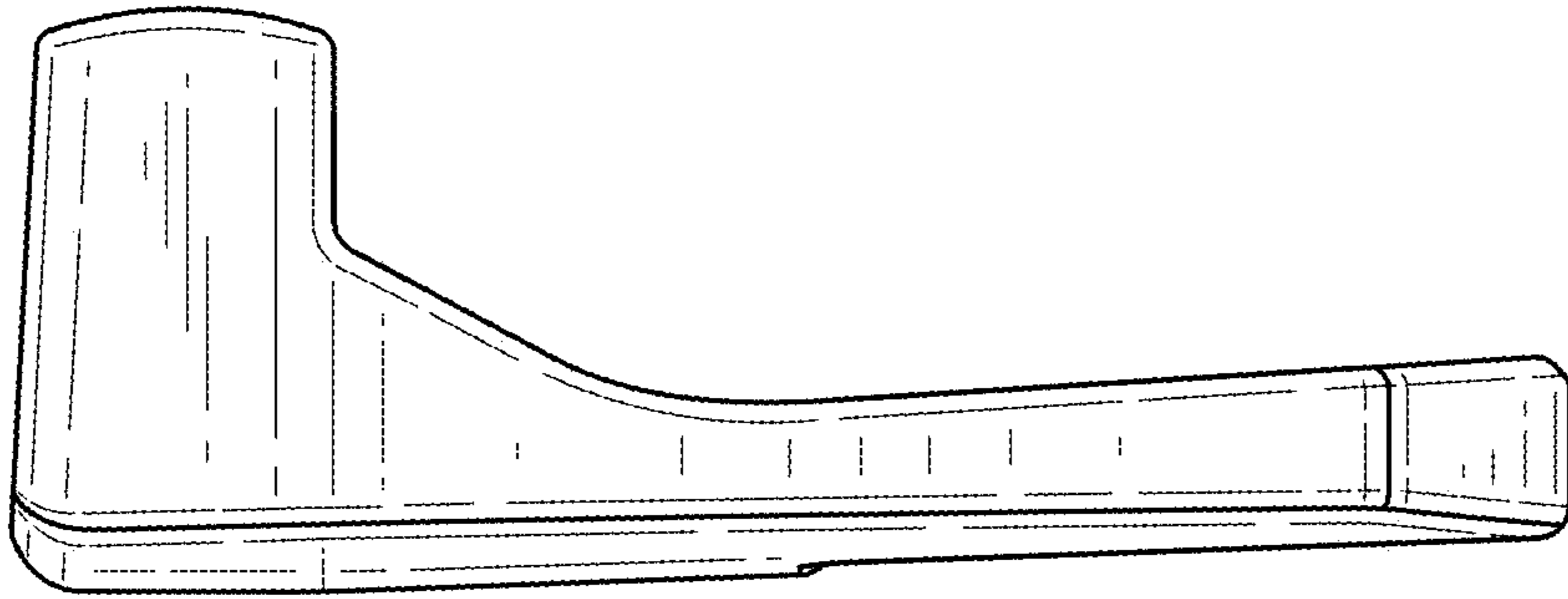


FIG. 23

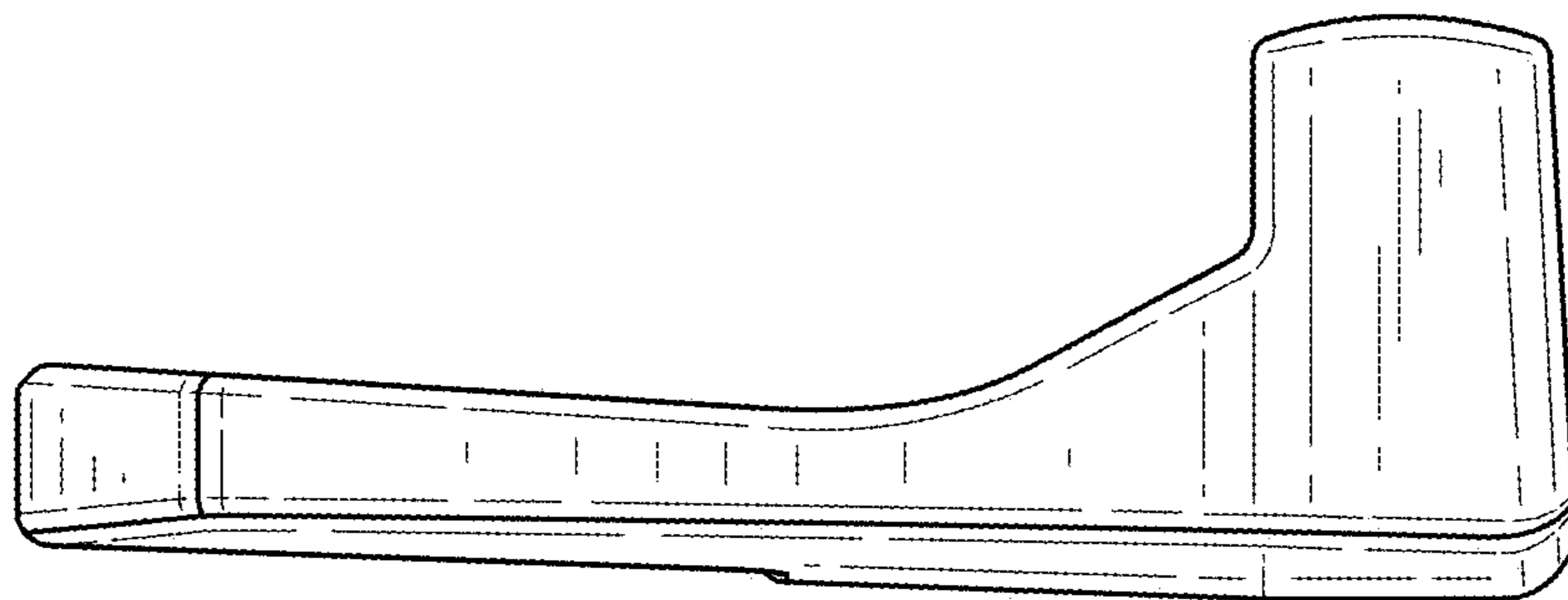


FIG. 24