



US00D893643S

(12) **United States Design Patent**  
**Tryner et al.**

(10) **Patent No.:** **US D893,643 S**  
(45) **Date of Patent:** **\*\* Aug. 18, 2020**

- (54) **FOOTBALL**
- (71) Applicant: **Wilson Sporting Goods Co.**, Chicago, IL (US)
- (72) Inventors: **Andrew K. Tryner**, Chicago, IL (US);  
**Kevin L. Krysiak**, Palatine, IL (US);  
**Andrew J. Wentling**, Carey, OH (US);  
**Daniel E. Hare**, Schaumburg, IL (US)
- (73) Assignee: **Wilson Sporting Goods Co.**, Chicago, IL (US)

(\*\*) Term: **15 Years**

- (21) Appl. No.: **29/675,082**
- (22) Filed: **Dec. 28, 2018**
- (51) **LOC (12) Cl.** ..... **21-02**
- (52) **U.S. Cl.**  
USPC ..... **D21/712**
- (58) **Field of Classification Search**  
USPC ..... D21/707-714; D3/271.9; D7/901;  
D9/668; D11/157; D30/160;  
473/569-615  
CPC ..... A63B 39/00-08; A63B 2039/003; A63B  
2039/006; A63B 2039/022; A63B  
41/00-12; A63B 2041/005; A63B  
43/00-06; A63B 2043/001; A63H 33/18;  
A63H 33/185  
See application file for complete search history.

(56) **References Cited**

**U.S. PATENT DOCUMENTS**

1,002,928 A	9/1911	Pierce
2,182,053 A	12/1939	Reach
2,194,674 A	3/1940	Riddell
2,859,040 A	11/1958	Gow et al.
2,906,533 A	9/1959	Gow et al.
2,866,644 A	12/1959	Gow et al.
2,931,653 A	4/1960	Gow et al.

4,000,894 A	1/1977	Butzen	
4,772,020 A	9/1988	Martin	
5,069,935 A	12/1991	Walters	
5,133,550 A	6/1992	Handy	
5,451,046 A	9/1995	Batton	
5,526,326 A *	6/1996	Fekete	..... A63B 43/00 368/10
5,570,882 A	11/1996	Horkan	
D387,772 S *	12/1997	Steinberg	..... D14/230
D400,668 S *	11/1998	Bloom	..... D23/379
D411,269 S	6/1999	Albarelli, Jr.	
6,123,632 A *	9/2000	Feeney	..... A63B 41/08 473/596
6,629,902 B2	10/2003	Murphy et al.	

(Continued)

**FOREIGN PATENT DOCUMENTS**

FR	130921-001	*	5/1980	
GB	1263107 A	*	2/1972	..... B65D 43/0212

*Primary Examiner* — Catherine A Tuttle  
(74) *Attorney, Agent, or Firm* — Terence P. O'Brien

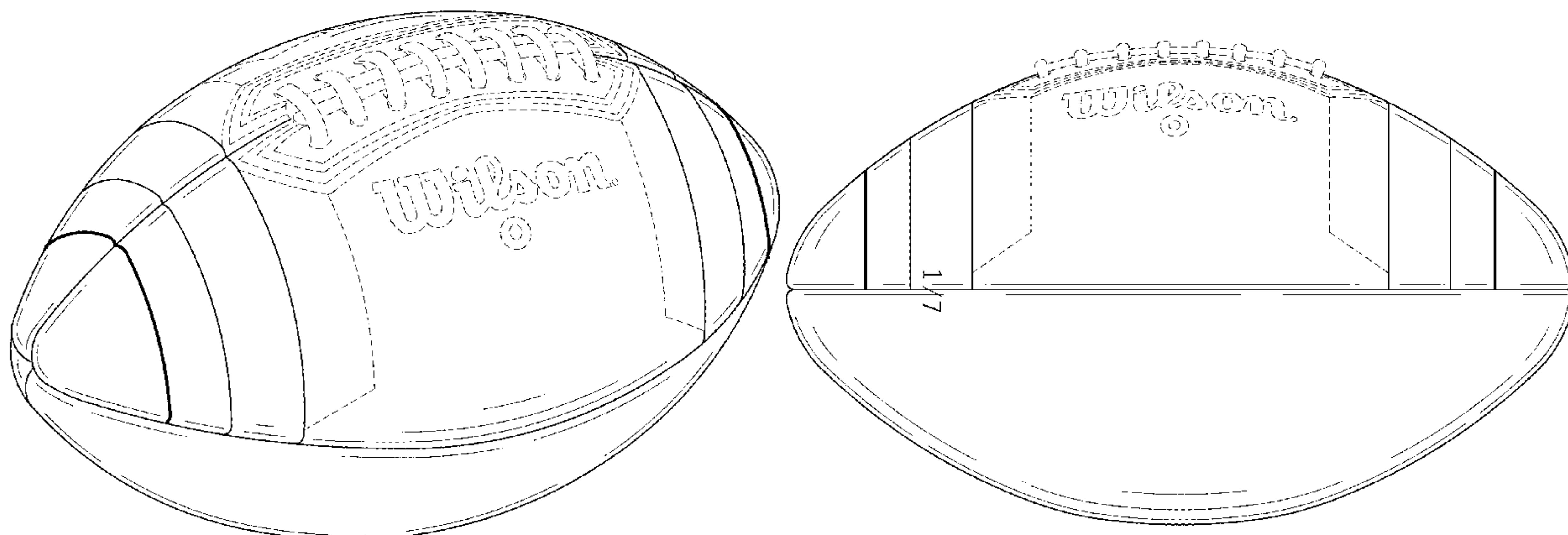
(57) **CLAIM**

We claim the ornamental design for a football, as shown and described.

**DESCRIPTION**

FIG. 1 is a top perspective view of the football showing our new design;  
 FIG. 2 is a top plan view thereof;  
 FIG. 3 is a left side elevational view thereof;  
 FIG. 4 is a right side elevational view thereof;  
 FIG. 5 is a rear end view thereof;  
 FIG. 6 is a front end view thereof; and,  
 FIG. 7 is a bottom plan view thereof.  
 The ornamental design that is claimed is shown in solid lines in the drawings. The broken (dashed) lines shown in the figures are included for the purpose of illustrating the elements of the football that form no part of the claimed design.

**1 Claim, 7 Drawing Sheets**



(56)

**References Cited**

U.S. PATENT DOCUMENTS

6,767,300	B2	6/2004	Murphy et al.	
7,029,407	B2	4/2006	Lee et al.	
D570,431	S	6/2008	Krysiak	
D570,432	S	6/2008	Krysiak	
D609,111	S *	2/2010	Bentley .....	D9/519
8,047,937	B2	11/2011	Krysiak	
8,142,311	B2	3/2012	Krysiak	
8,366,574	B2	2/2013	Guenther et al.	
8,371,971	B2	2/2013	Bevier	
8,449,417	B2	5/2013	Bevier et al.	
8,460,135	B2	6/2013	Guenther et al.	
8,512,177	B2	8/2013	Krysiak et al.	
8,579,742	B2	11/2013	Krysiak	
8,905,876	B2	12/2014	Guenther et al.	
D790,282	S *	6/2017	Price .....	D7/564
2007/0178997	A1	8/2007	Chang	
2008/0287230	A1	11/2008	Guenther et al.	
2010/0062883	A1 *	3/2010	Bevier .....	A63B 43/008 473/597
2012/0264549	A1 *	10/2012	Homsi .....	A63B 43/008 473/422
2014/0194232	A1 *	7/2014	Krysiak .....	A63B 43/06 473/570
2014/0256478	A1	9/2014	Gale	
2014/0309059	A1 *	10/2014	Minch .....	A63B 43/06 473/422
2015/0031481	A1 *	1/2015	Frank .....	A63B 43/002 473/596
2017/0252632	A1 *	9/2017	Pappas .....	A63B 71/0605
2017/0291075	A1 *	10/2017	McCafferty .....	A63B 41/00

\* cited by examiner

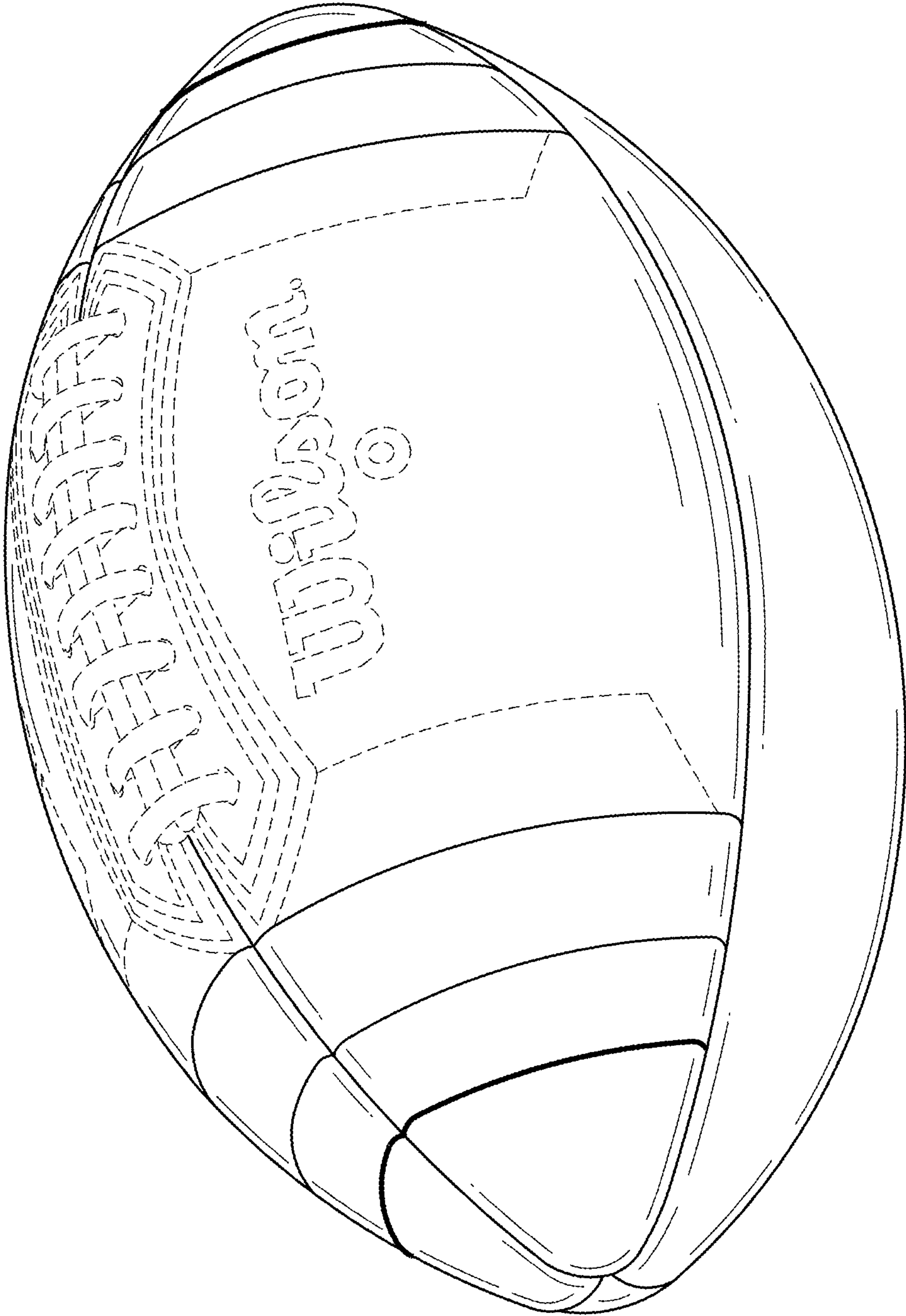


FIG. 1

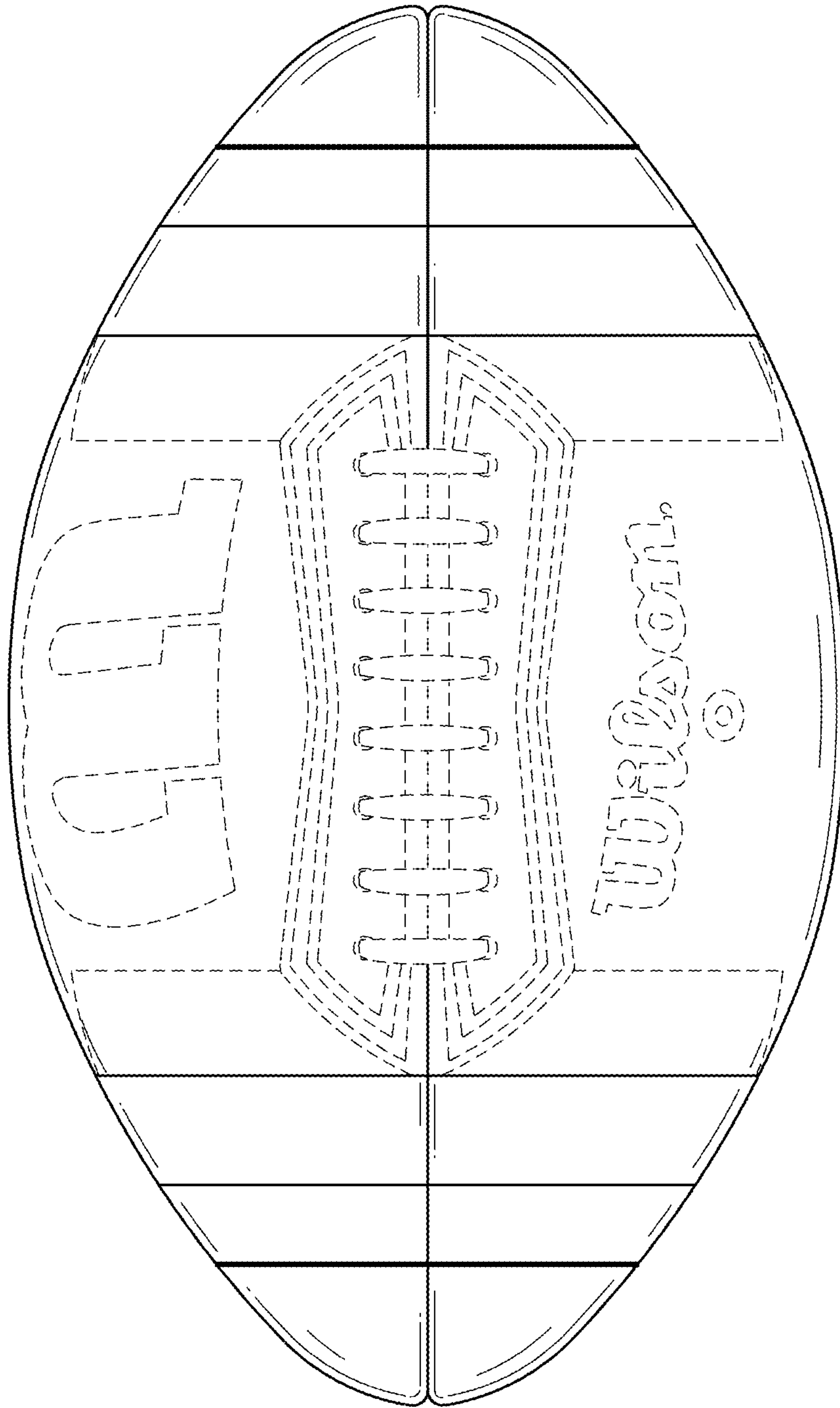


FIG. 2



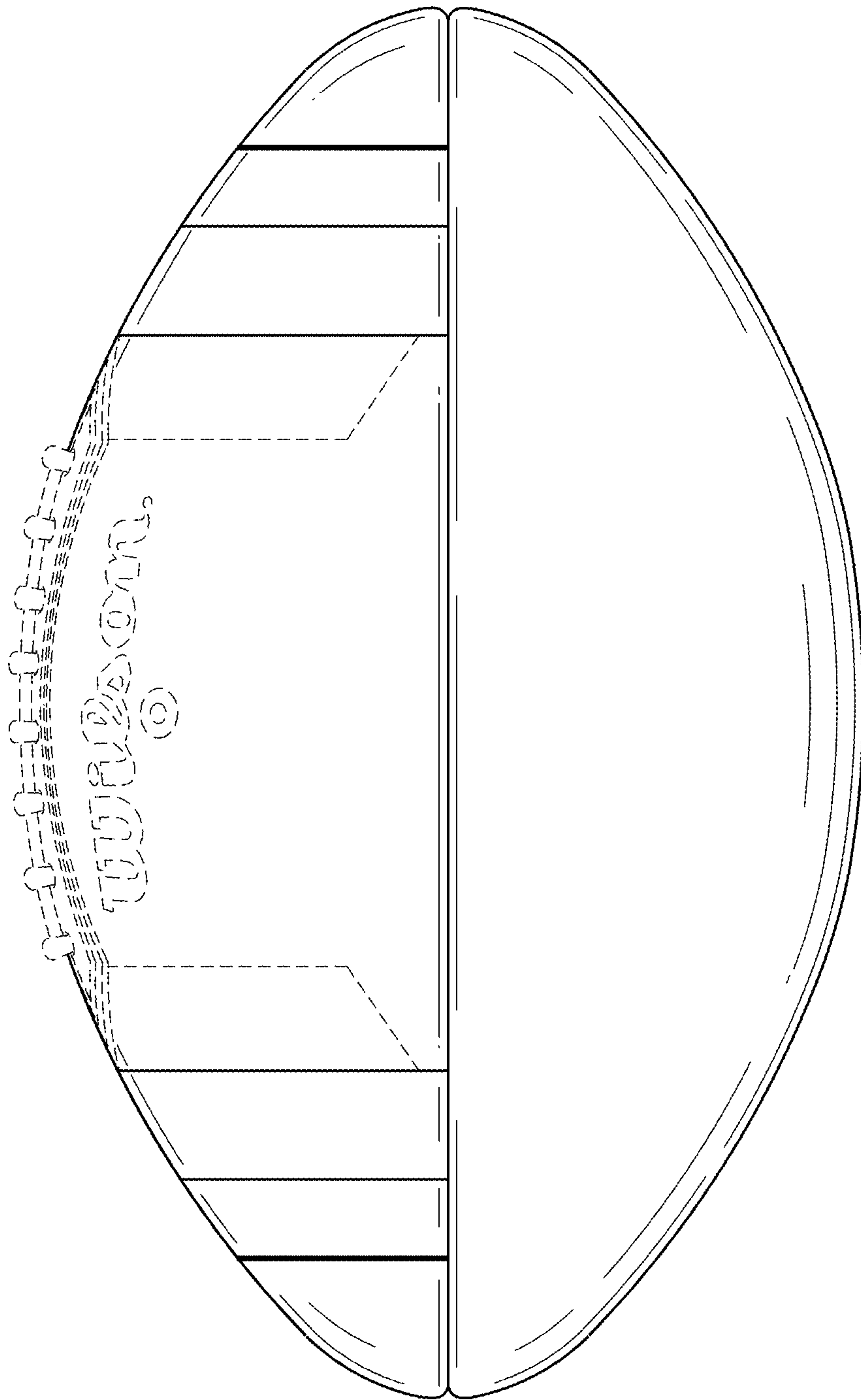


FIG. 3

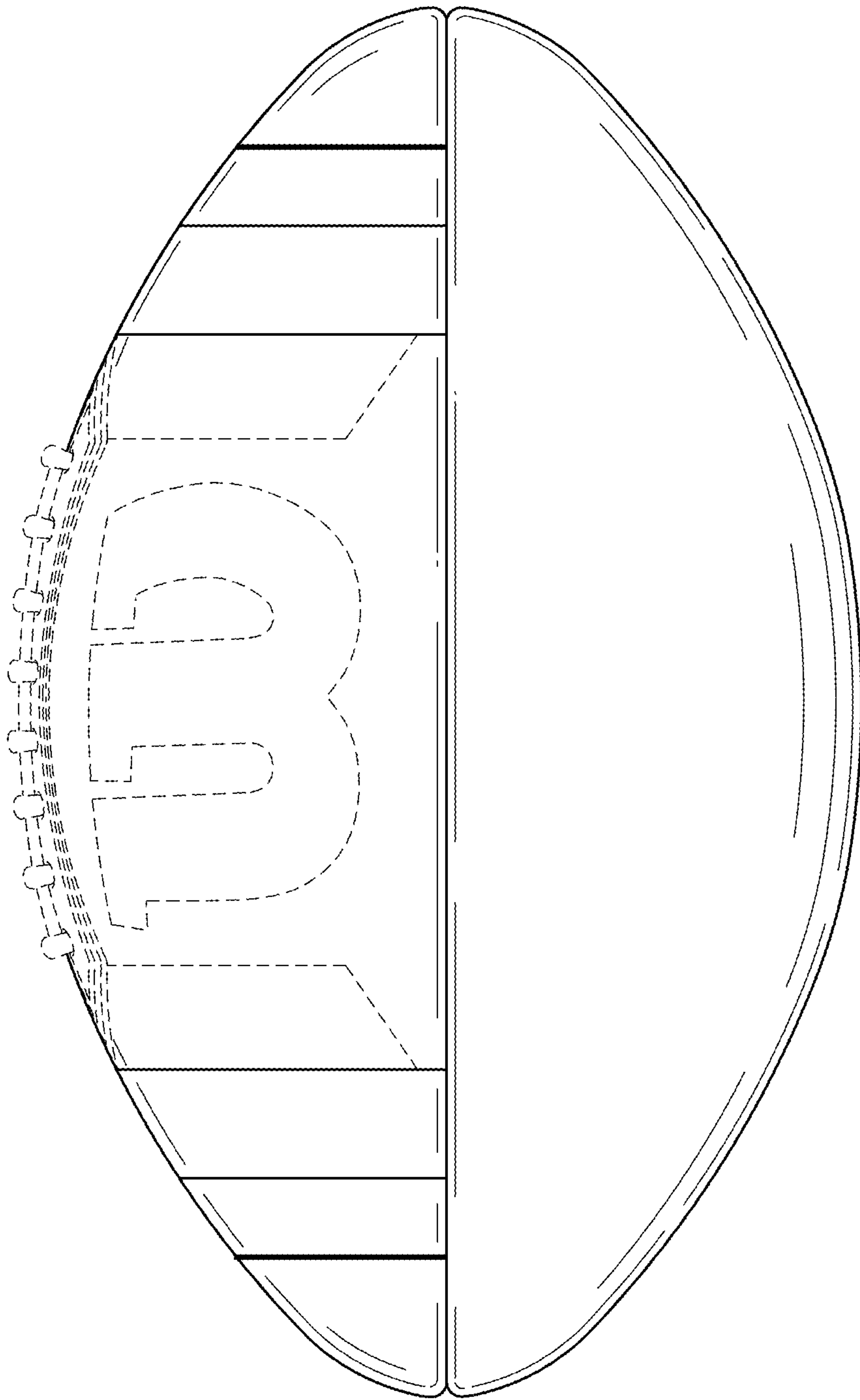


FIG. 4

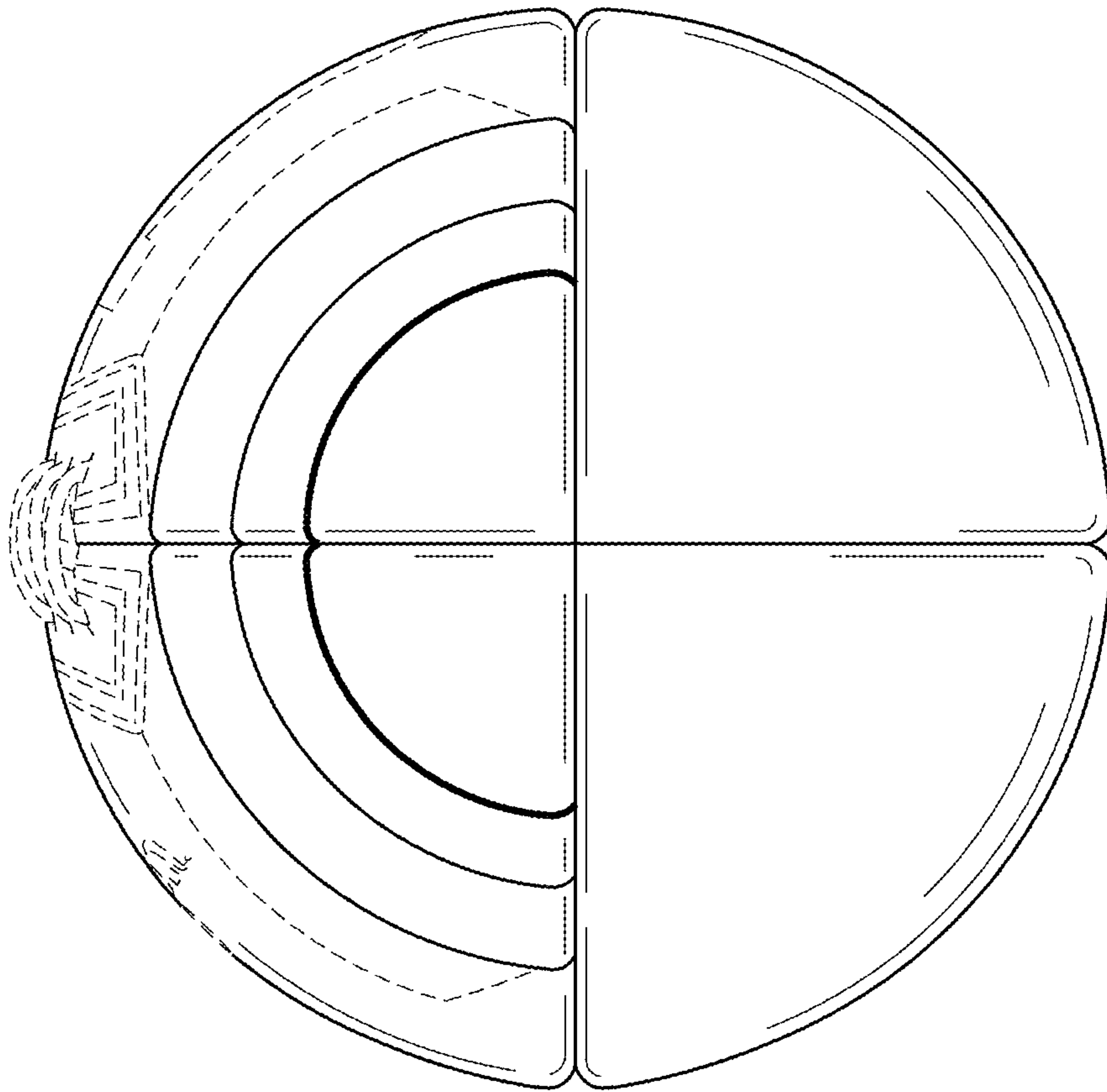


FIG. 5

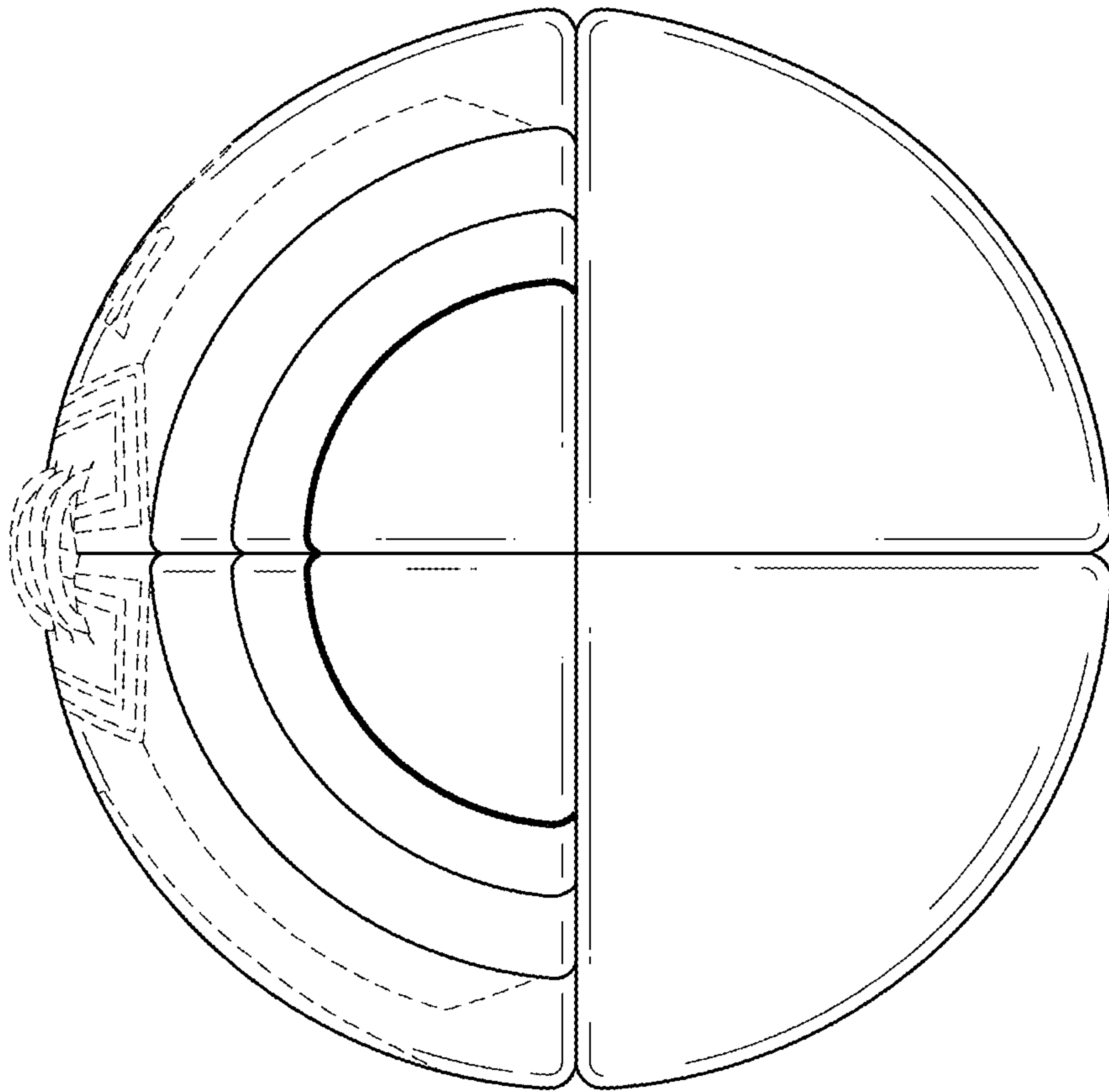


FIG. 6



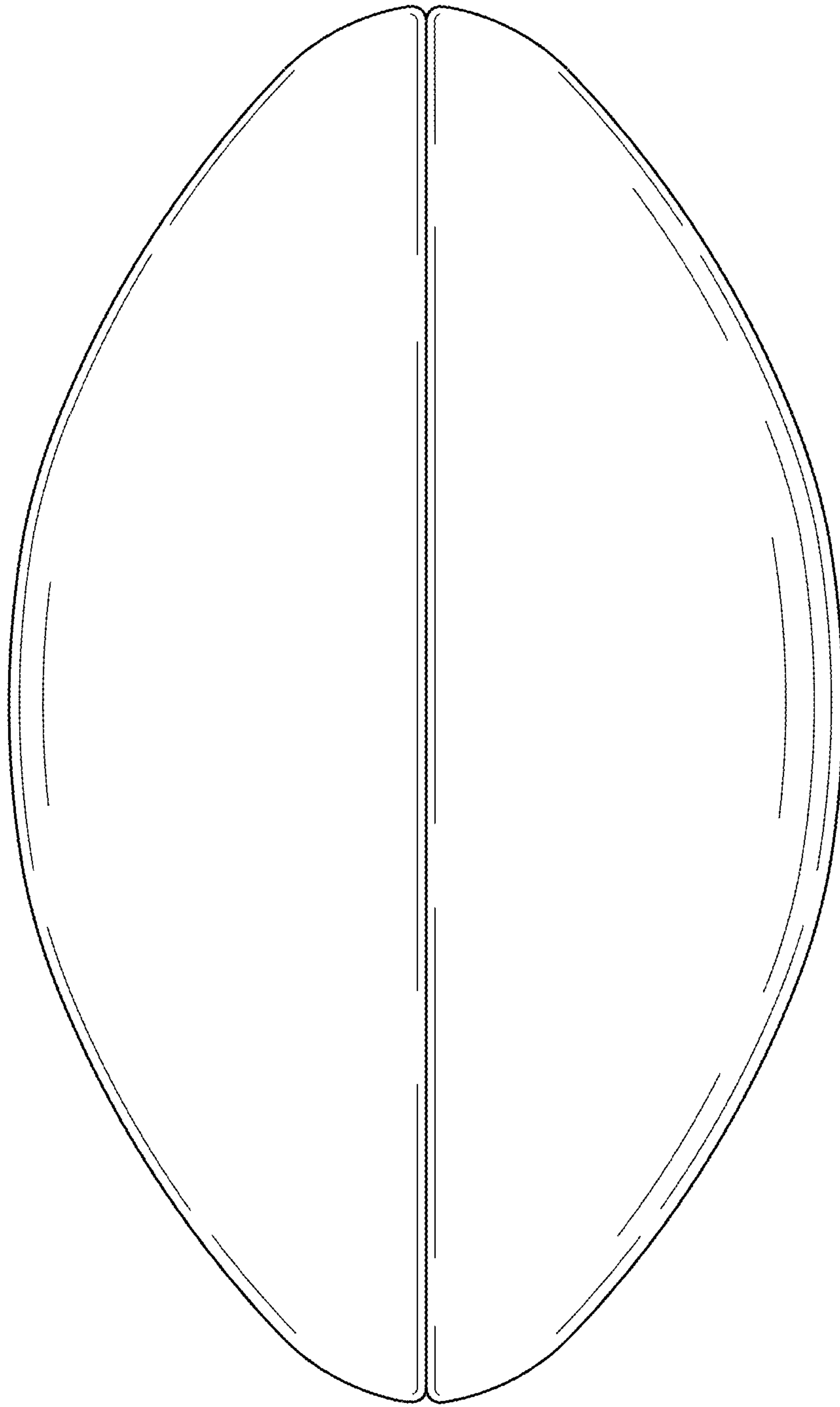


FIG. 7