

US00D893641S

(12) **United States Design Patent** (10) **Patent No.:** **US D893,641 S**
Kambouris (45) **Date of Patent:** **** Aug. 18, 2020**

- (54) **FREESTANDING EXERCISE DEVICE**
- (71) Applicant: **Antonios Kambouris**, Oakland Gardens, NY (US)
- (72) Inventor: **Antonios Kambouris**, Oakland Gardens, NY (US)
- (**) Term: **15 Years**
- (21) Appl. No.: **29/671,383**
- (22) Filed: **Nov. 27, 2018**
- (51) **LOC (12) Cl.** **21-02**
- (52) **U.S. Cl.**
USPC **D21/686**
- (58) **Field of Classification Search**
USPC ... 482/99, 100, 136, 139, 129, 130, 92, 103, 482/138; D21/694, 675, 673, 662, 676, D21/686; D25/16
CPC A63B 21/4035; A63B 21/0628; A63B 21/154; A63B 21/00065; A63B 21/00069; A63B 21/06; A63B 21/063
See application file for complete search history.

9,259,608	B2	2/2016	Beck et al.	
D759,170	S *	6/2016	Louis	D21/686
9,545,537	B2	1/2017	Savioli	
9,643,046	B1	5/2017	Kang	
9,675,831	B2 *	6/2017	Beaver	A63B 23/0458
10,035,036	B2 *	7/2018	DiMartino	A63B 21/4035
D836,172	S *	12/2018	Kuka	D21/686
10,357,677	B2 *	7/2019	Austin	A63B 21/0552
D868,184	S *	11/2019	Redmond	D21/691
D868,185	S *	11/2019	Redmond	D21/691
2007/0219053	A1	9/2007	Barufka et al.	
2010/0331152	A1 *	12/2010	Pedraera	A63B 21/0552 482/129
2012/0231935	A1	9/2012	Langhart	
2014/0200122	A1 *	7/2014	Hallmark	A63B 69/0002 482/129
2015/0126348	A1 *	5/2015	Kaye	A63B 21/0442 482/130
2015/0238799	A1 *	8/2015	Arline	A63B 21/0442 482/129

(Continued)

Primary Examiner — Ryan Harvey
(74) *Attorney, Agent, or Firm* — Goldstein Law Offices, P.C.

(57) **CLAIM**

The ornamental design for a freestanding exercise device, as shown and described.

DESCRIPTION

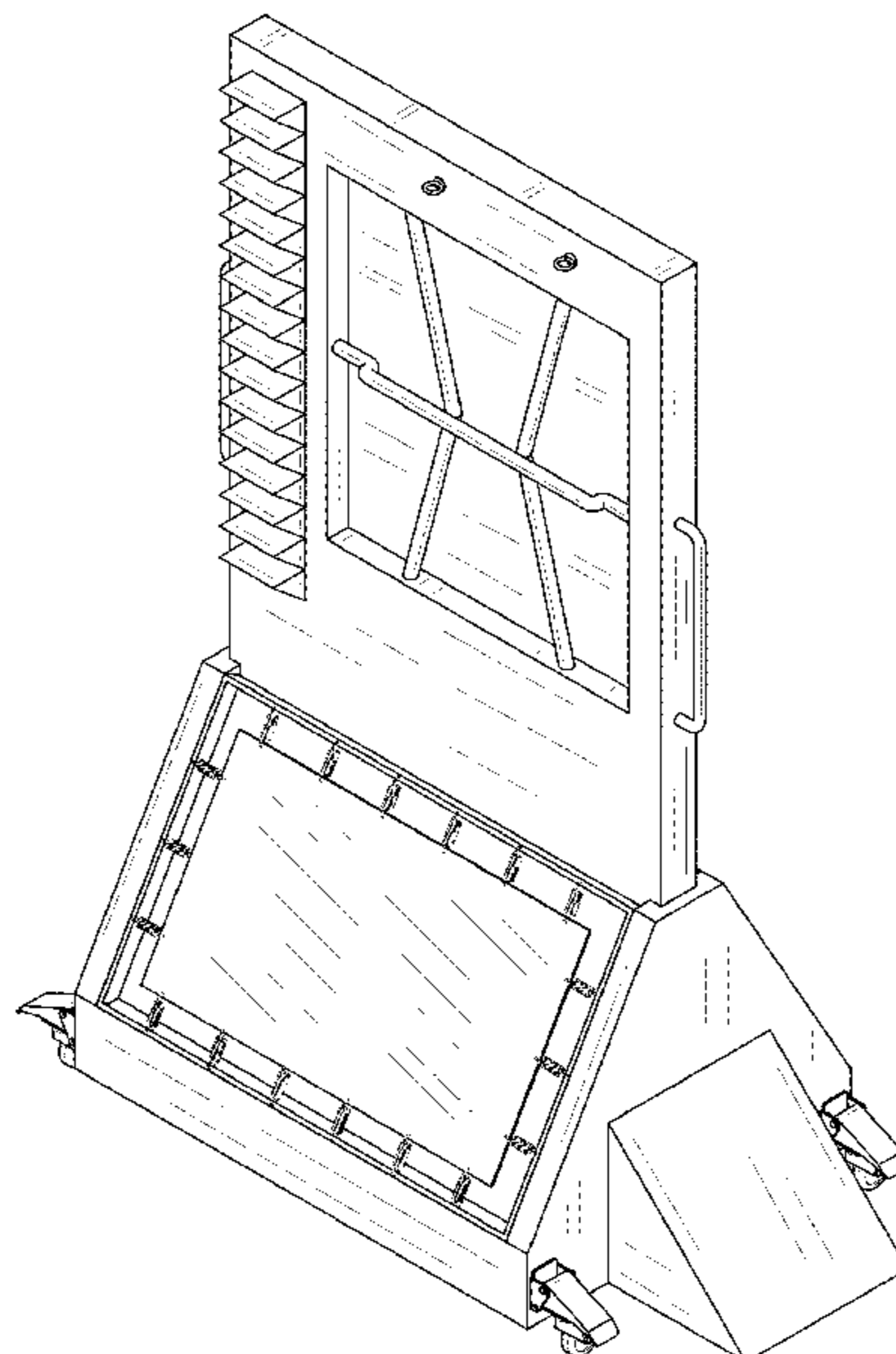
FIG. 1 is a perspective view of the freestanding exercise device in full lines.
FIG. 2 is a second perspective view of the freestanding exercise device.
FIG. 3 is a top plan view thereof.
FIG. 4 is a bottom plan view thereof.
FIG. 5 is a front elevational view thereof.
FIG. 6 is a rear elevational view thereof.
FIG. 7 is a left side elevational view thereof; and,
FIG. 8 is a right side elevational view thereof.

1 Claim, 8 Drawing Sheets

(56) **References Cited**

U.S. PATENT DOCUMENTS

4,477,070	A *	10/1984	Appelbaum	A63B 69/0035 482/28
4,538,807	A *	9/1985	Rice	A63B 22/14 482/133
5,947,870	A	9/1999	Hall et al.	
6,468,192	B1	10/2002	Doerscheln	
6,699,163	B2	3/2004	Gallagher	
6,743,152	B2	6/2004	Weiss	
D586,410	S *	2/2009	Citterio	D21/673
D698,402	S *	1/2014	Saletta	D21/686
8,721,507	B2 *	5/2014	Blancher	A63B 21/4033 482/121
D731,601	S *	6/2015	Bradley	D21/686
D742,467	S *	11/2015	Giorgi	D21/797



(56)

References Cited

U.S. PATENT DOCUMENTS

2017/0056702 A1* 3/2017 Carter A63B 21/153

* cited by examiner

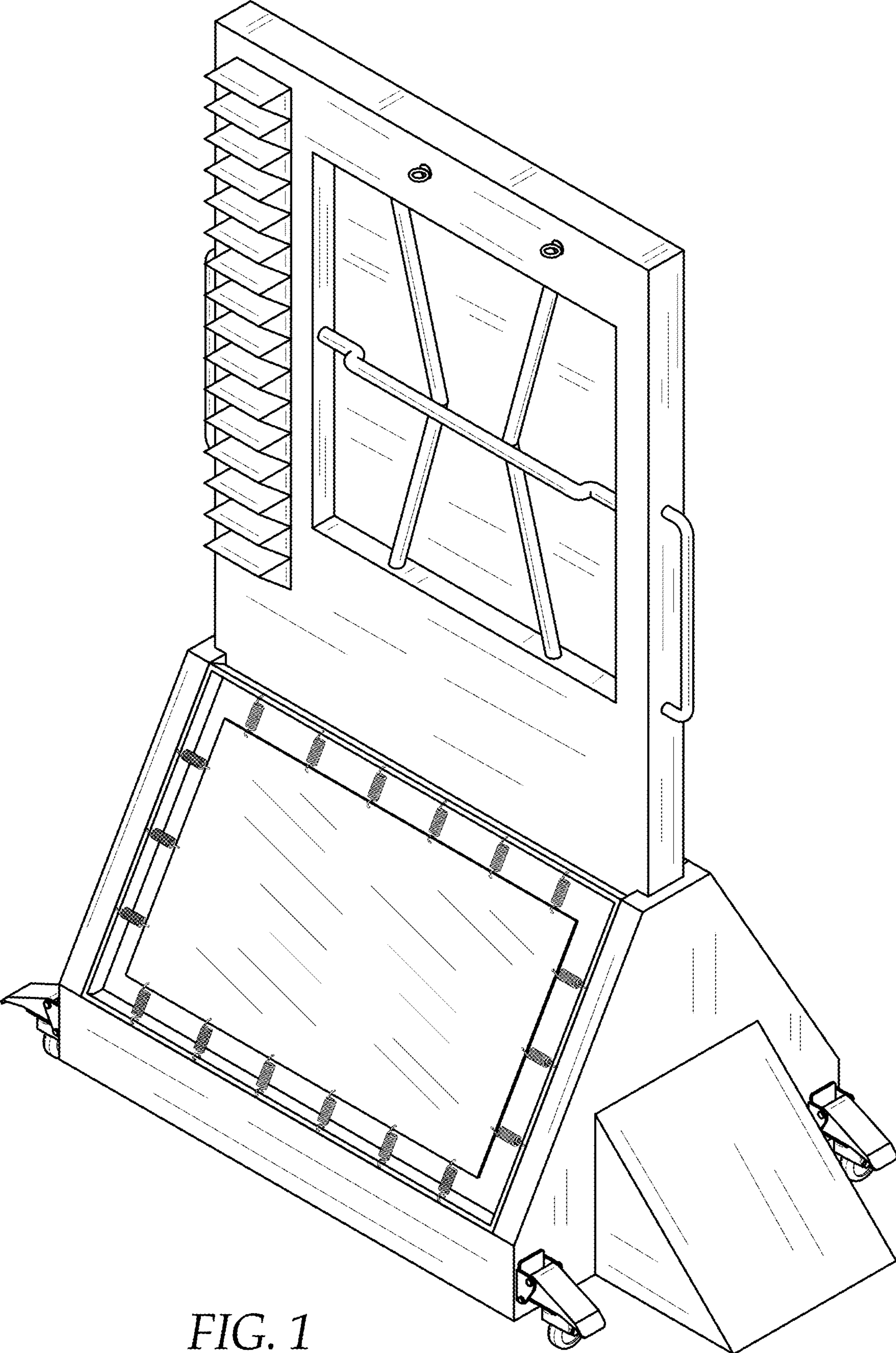


FIG. 1

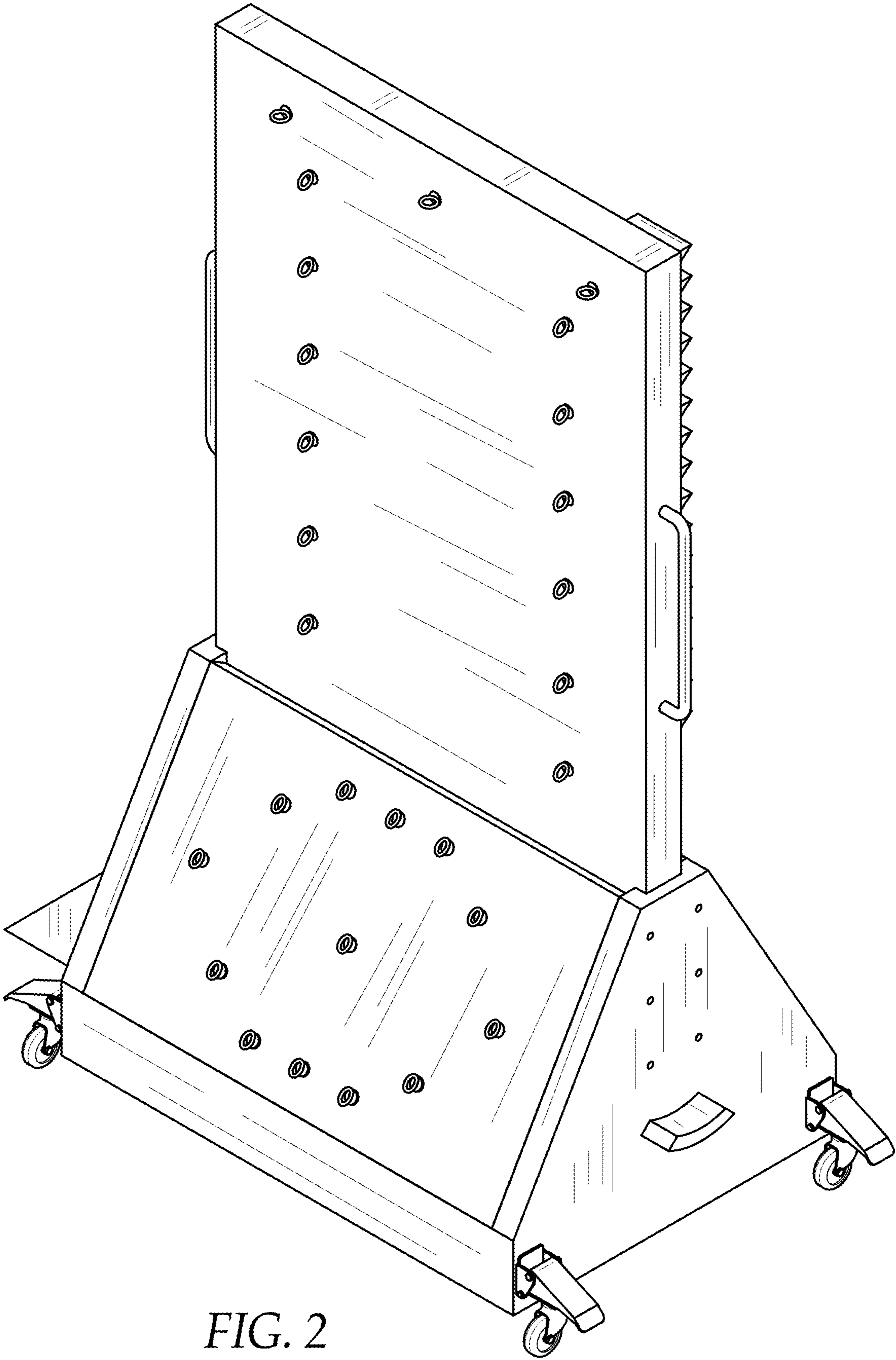


FIG. 2

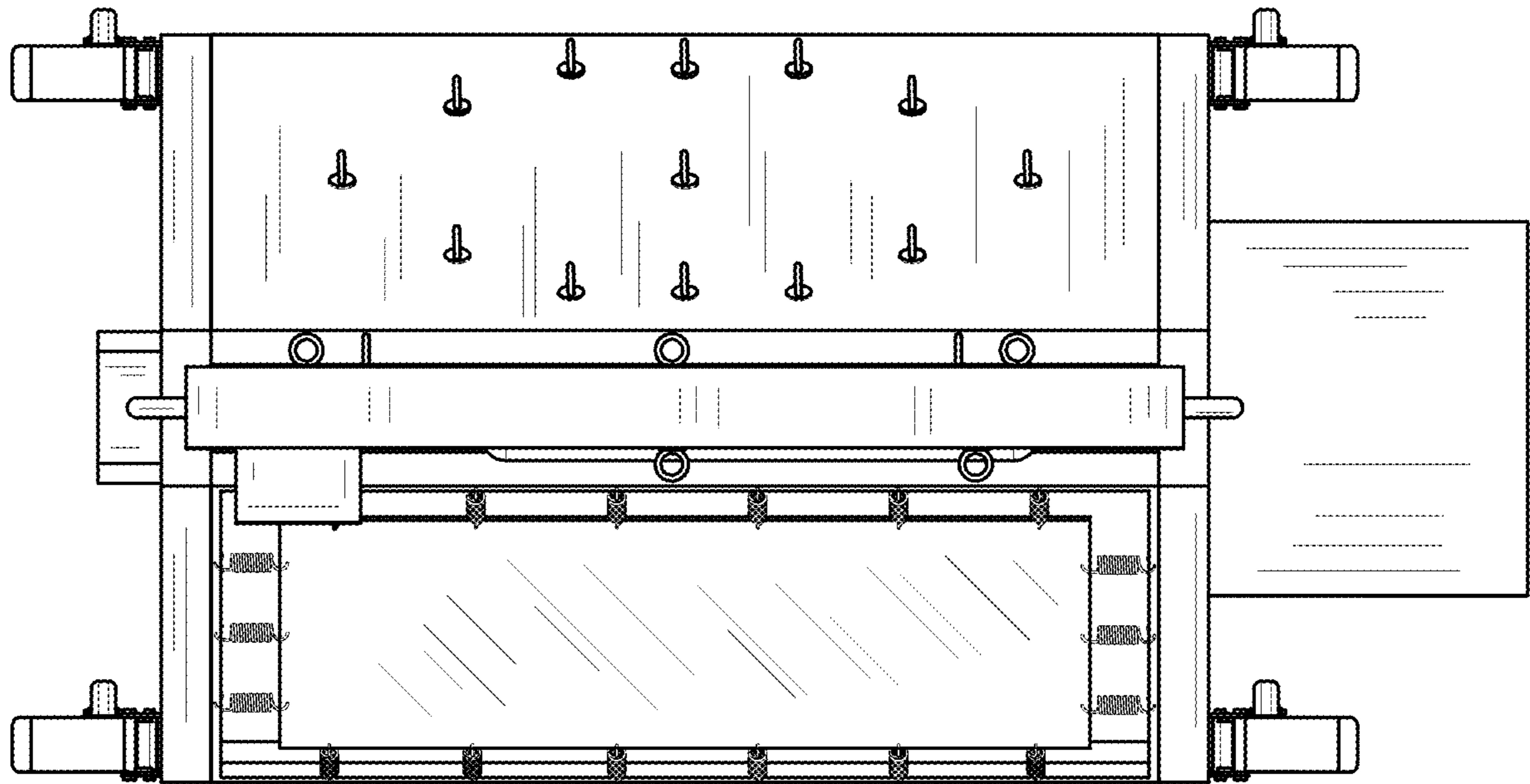


FIG. 3

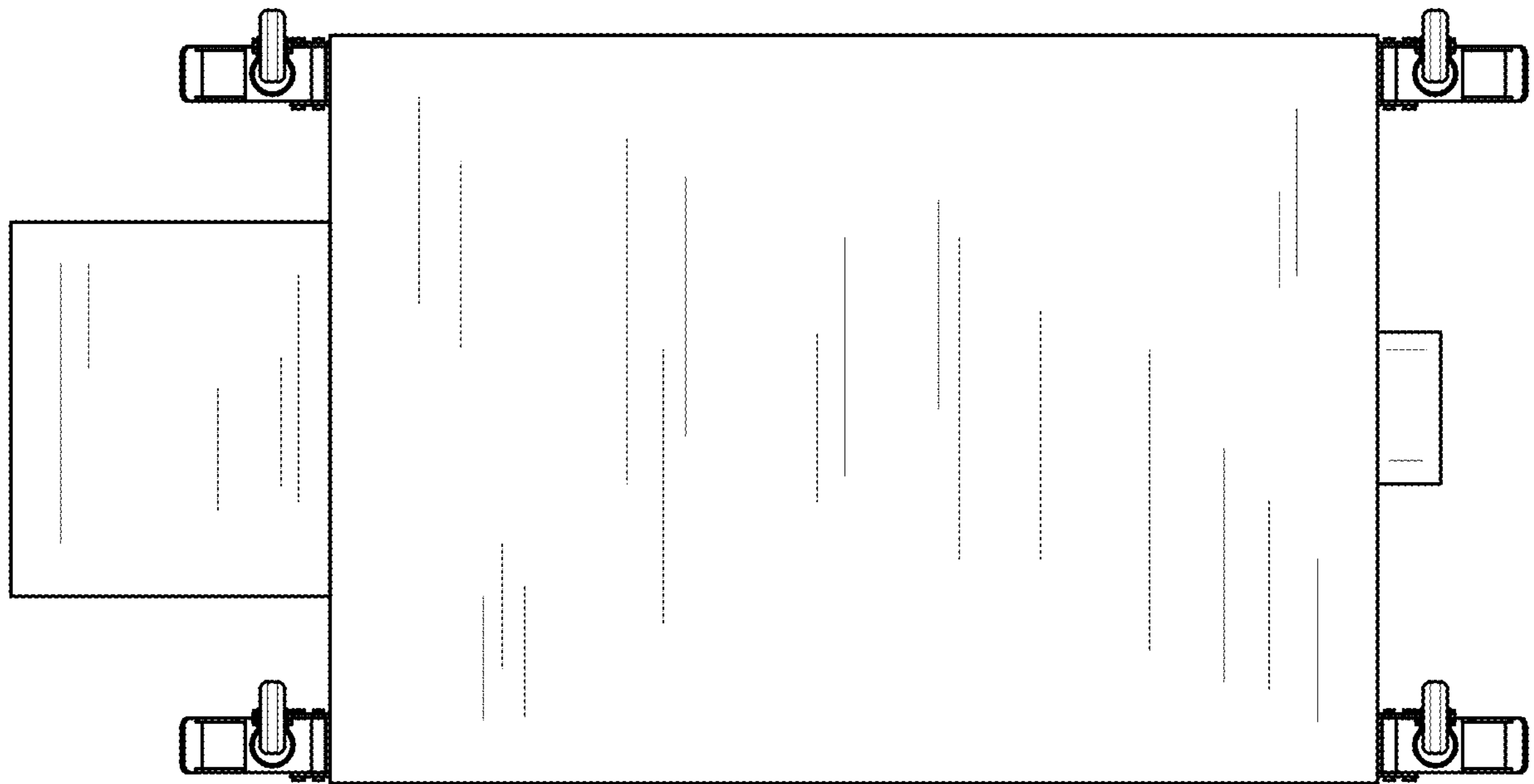


FIG. 4

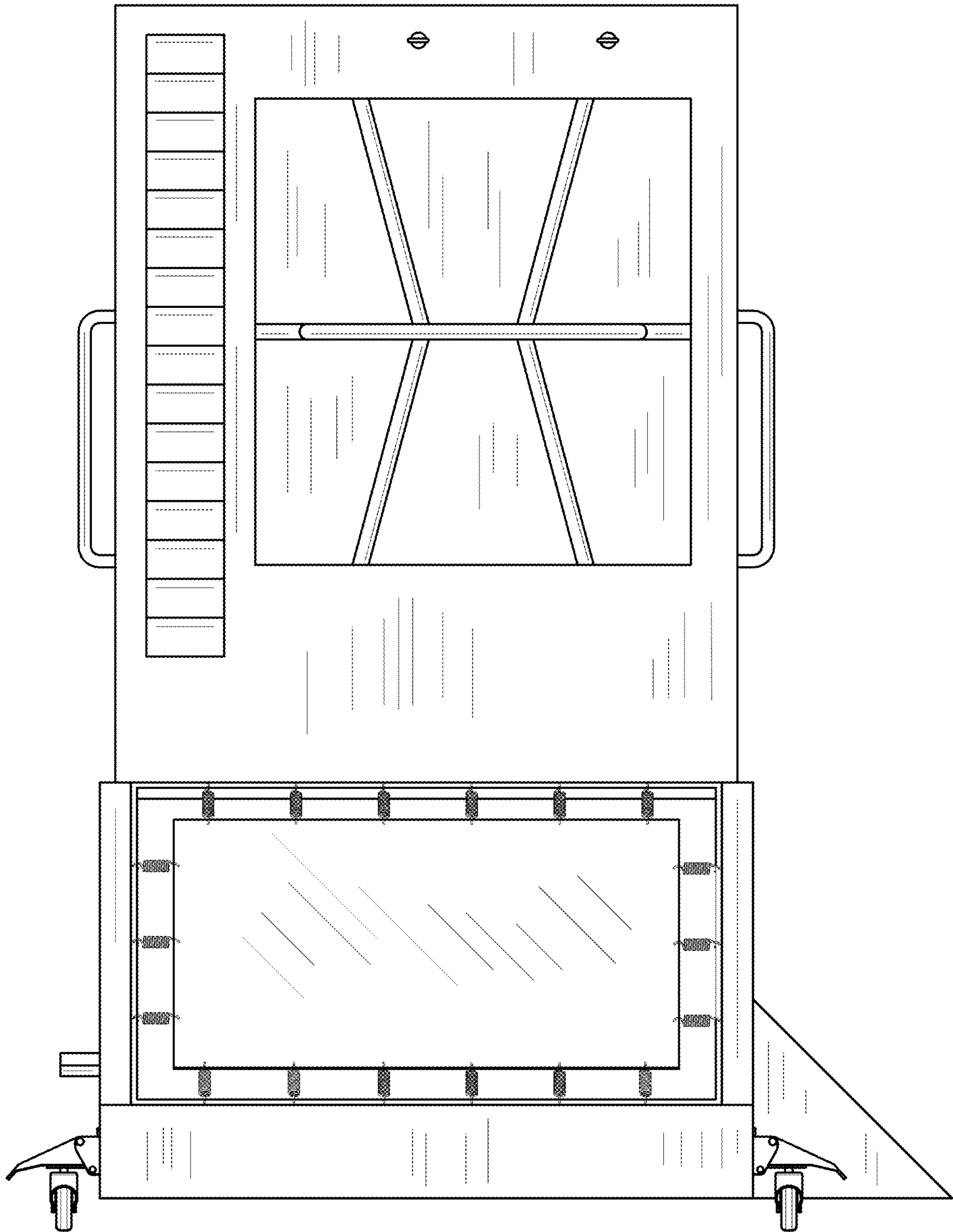


FIG. 5

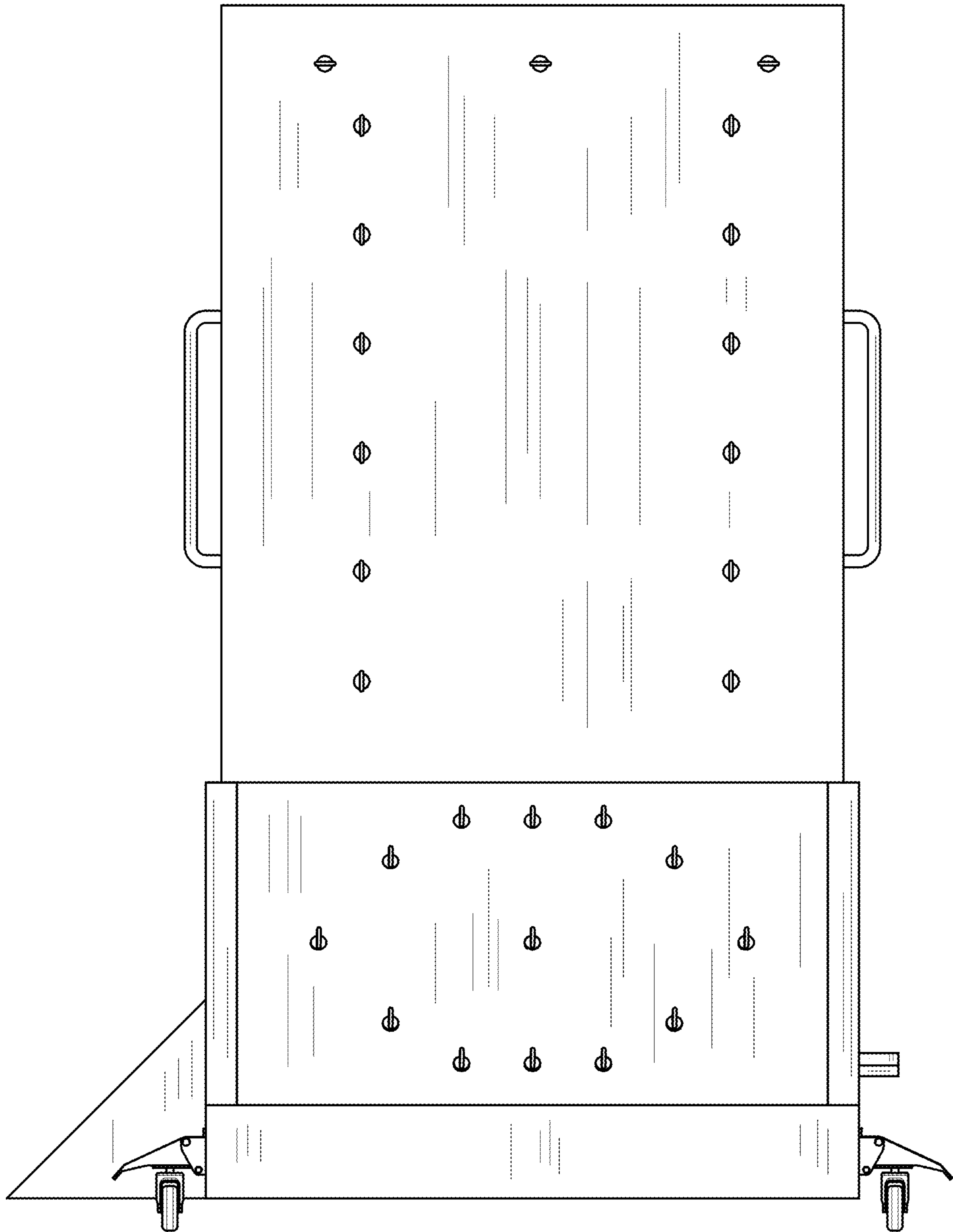


FIG. 6

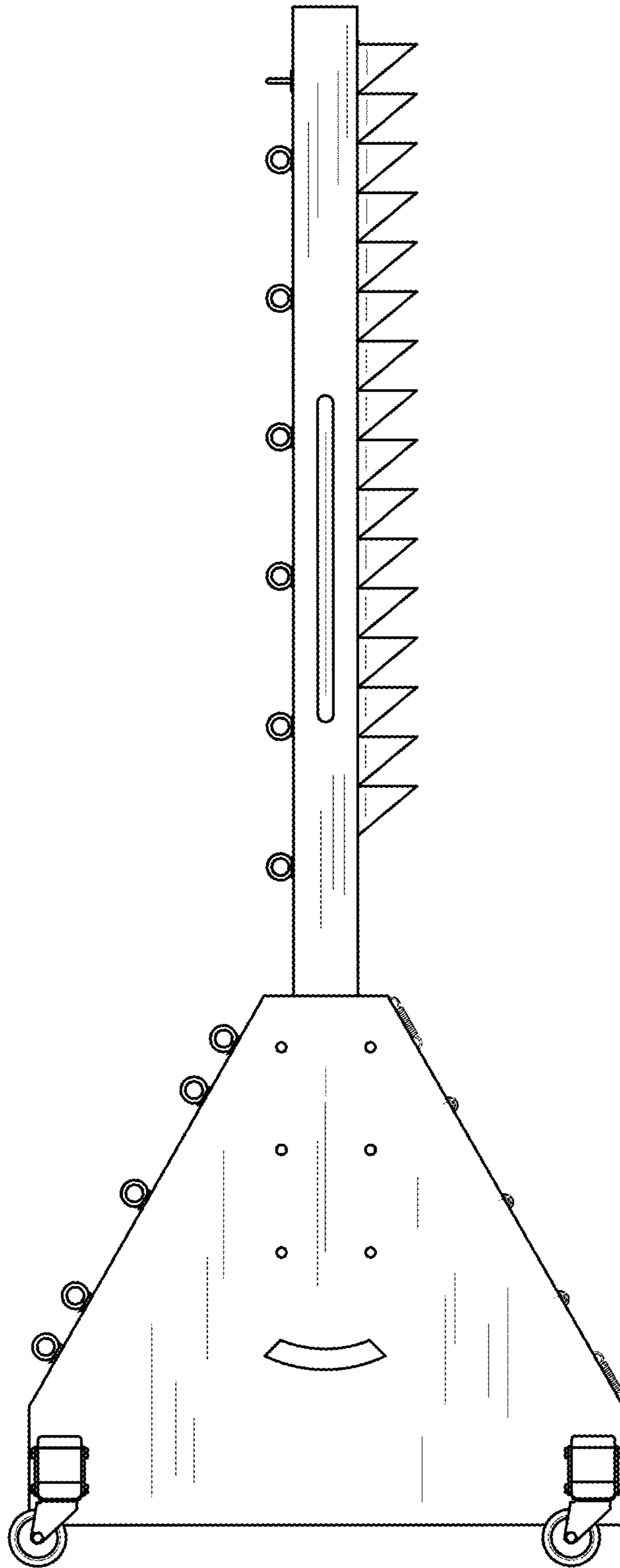


FIG. 7

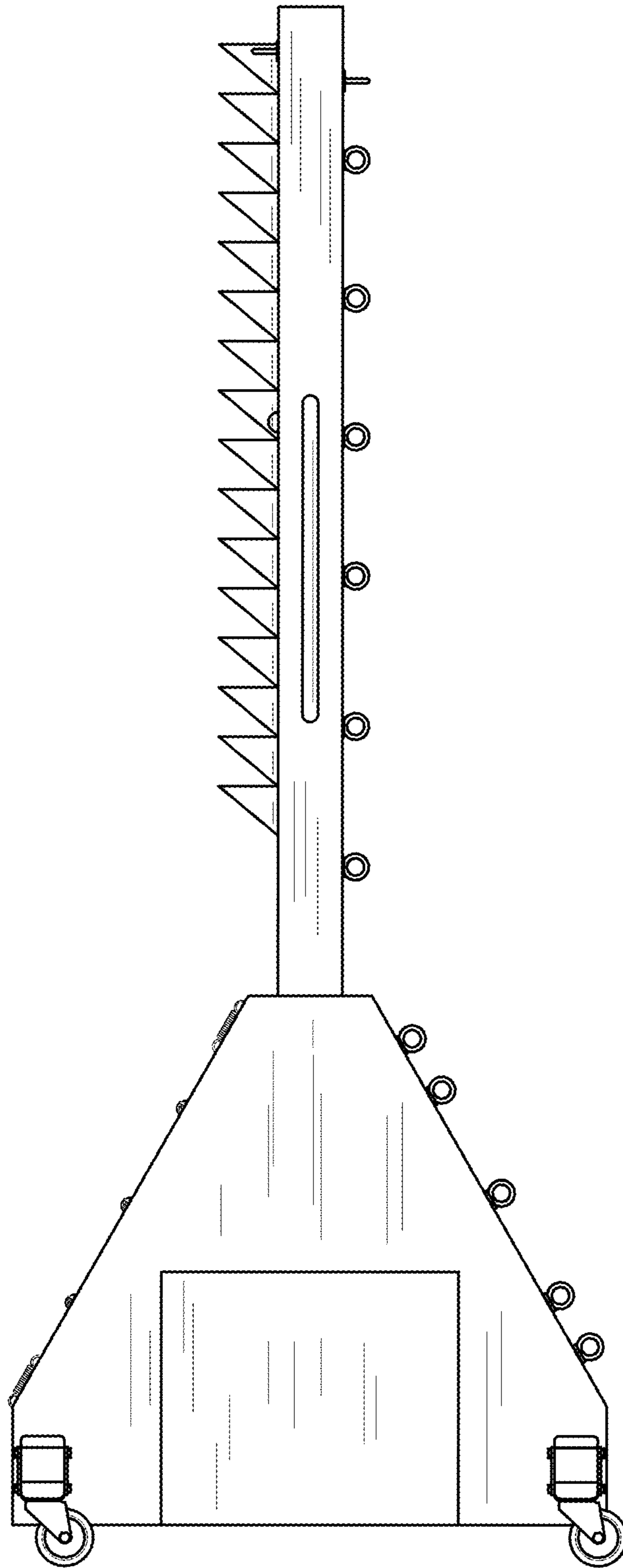


FIG. 8