



US00D893640S

(12) **United States Design Patent**
Jelen et al.

(10) **Patent No.:** **US D893,640 S**

(45) **Date of Patent:** **** Aug. 18, 2020**

- (54) **PORTABLE BALLET BAR**
- (71) Applicant: **BURN BARRE, LLC**, New York, NY (US)
- (72) Inventors: **Eric Jelen**, New York, NY (US); **David Hummer**, Bloomfield, NJ (US); **Evan Charles Huggins**, Brooklyn, NY (US); **Gerald Iannaccone**, New York, NY (US)
- (73) Assignee: **BURN BARRE, LLC**, New York, NY (US)
- (**) Term: **15 Years**

D272,677	S *	2/1984	Bove	D3/9
4,696,470	A	9/1987	Fenner		
5,066,002	A	11/1991	Cordell		
5,662,556	A	9/1997	Gangloff		
5,989,158	A *	11/1999	Fredette	A63B 1/00 482/36
D487,124	S *	2/2004	Toniolo	D21/691
6,743,152	B2	6/2004	Weiss		
D571,418	S *	6/2008	Gormley	D21/680
7,608,029	B2	10/2009	Weiss et al.		
D617,400	S *	6/2010	Hetzel	D21/691
D623,707	S *	9/2010	Ritchie	D21/679
D651,670	S *	1/2012	Calvin	D21/662
D745,362	S *	12/2015	Grasselli	D8/315
9,289,642	B2	3/2016	Ho		
9,474,922	B2	10/2016	Magrella		

(Continued)

- (21) Appl. No.: **29/640,618**
- (22) Filed: **Mar. 15, 2018**
- (51) **LOC (12) Cl.** **21-02**
- (52) **U.S. Cl.**
USPC **D21/679**
- (58) **Field of Classification Search**
USPC 482/34, 38, 130, 907; D3/5, 7-9, 12, 17;
D24/188, 190; D21/662, 679, 685, 686,
D21/691, 694, 777, 787, 796, 797, 837;
D25/41.1, 44
CPC A63B 2244/22; A63B 1/00; A63B 71/023;
A63B 2210/50; A63B 17/00; A63B
17/02; A63B 17/04; A63B 21/4033; A63B
2023/006; A61H 3/02; A61H 2201/1635;
A61H 2003/0233
See application file for complete search history.

Primary Examiner — Shannon W Morgan

Assistant Examiner — Keith Frank

(74) *Attorney, Agent, or Firm* — Notaro, Michalos & Zaccaria P.C.

(57) **CLAIM**

The ornamental design for a portable ballet bar, as shown and described.

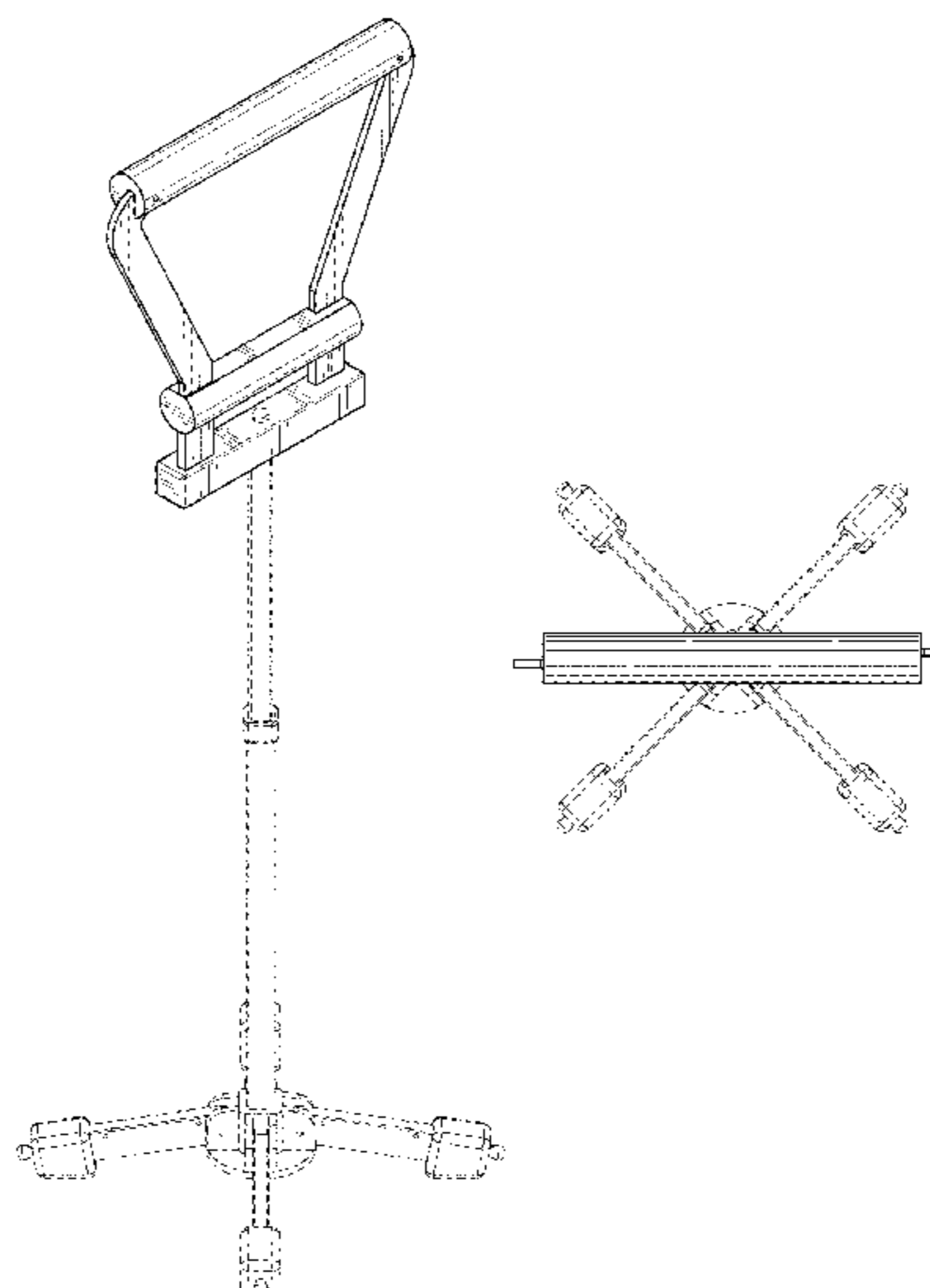
DESCRIPTION

FIG. 1 is a top, front, left perspective view of a portable ballet bar showing our design therefor;
 FIG. 2 is a front, left, bottom perspective view thereof;
 FIG. 3 is a front elevational view thereof;
 FIG. 4 is a rear elevational view thereof;
 FIG. 5 is a left elevational view thereof;
 FIG. 6 is a right elevational view thereof;
 FIG. 7 is a top plan view thereof; and,
 FIG. 8 is a bottom plan view thereof.

The broken lines in the drawings showing the portable ballet bar illustrate the portions of the portable ballet bar that form no part of the claimed design.

1 Claim, 7 Drawing Sheets

- (56) **References Cited**
U.S. PATENT DOCUMENTS
D187,450 S * 3/1960 Maxwell D3/9
2,932,510 A * 4/1960 Kravitz A63B 3/00
482/38
3,730,198 A * 5/1973 Johnston A61H 3/02
135/69
4,248,915 A 3/1981 Selige, Jr.



(56)

References Cited

U.S. PATENT DOCUMENTS

9,738,233 B1 8/2017 Schwefel
10,188,899 B1* 1/2019 Acuna, Jr. A63B 21/4035
D853,822 S* 7/2019 Hanlon D8/319
D882,372 S* 4/2020 Hanlon D8/319
2004/0204292 A1* 10/2004 Chu A63B 1/00
482/41
2005/0209054 A1 9/2005 Thomas Lebert
2011/0290290 A1* 12/2011 Huang A61H 3/02
135/72
2012/0077655 A1 3/2012 Wilson
2013/0331232 A1* 12/2013 Kwo A63B 1/00
482/38
2018/0133093 A1* 5/2018 Khademhosseini A61H 3/02
2019/0325781 A1* 10/2019 Mudarra A63B 71/028
2020/0114190 A1* 4/2020 Tuller A63B 1/00

* cited by examiner

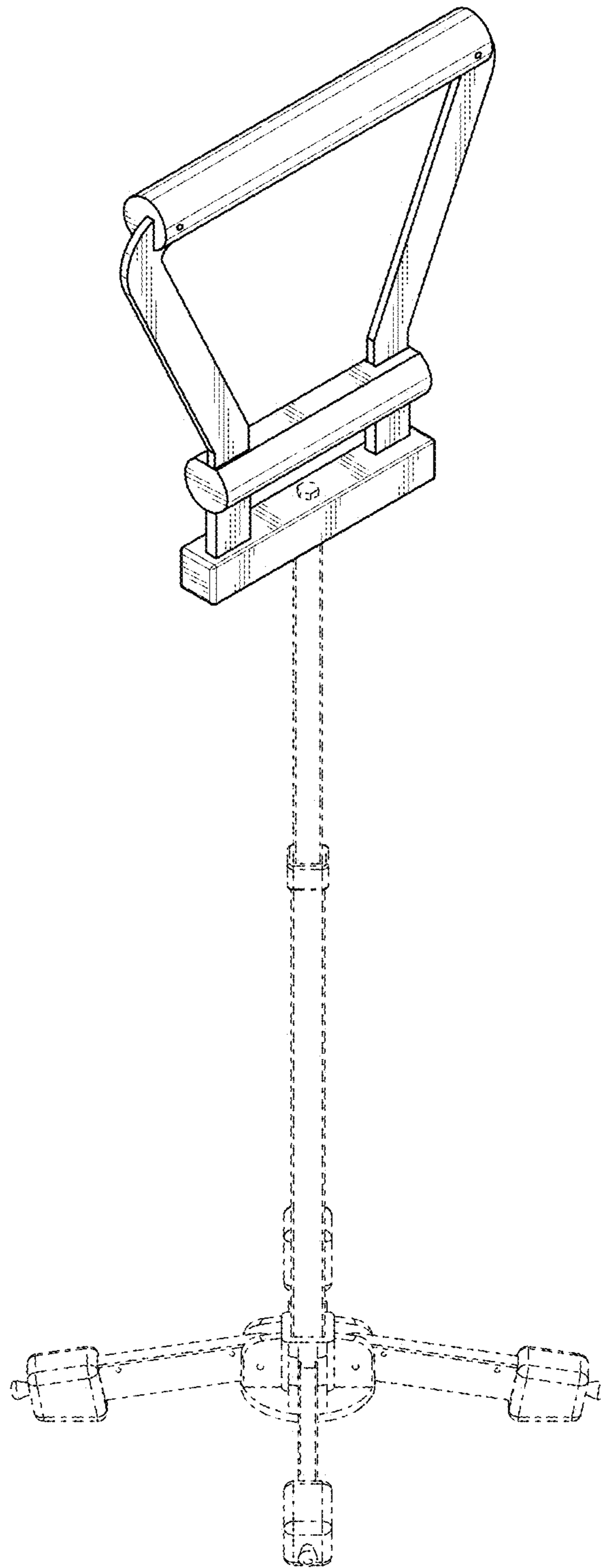


FIG. 1

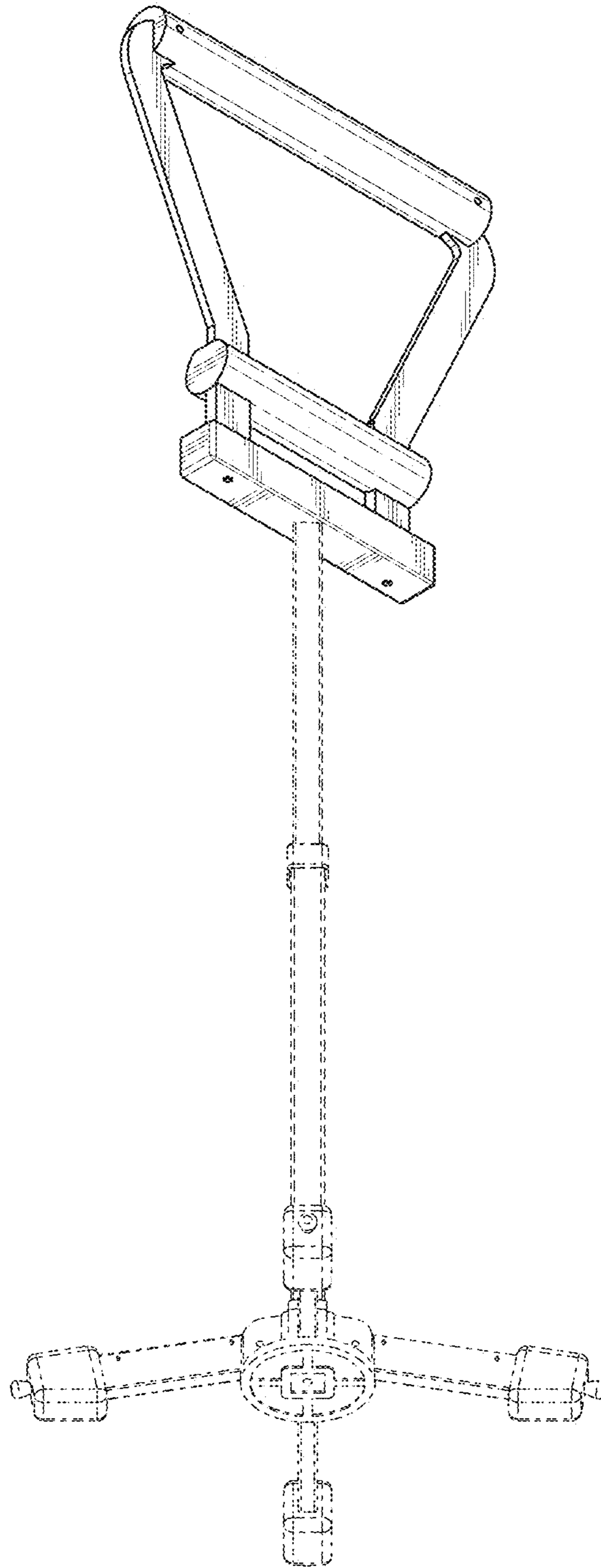


FIG. 2

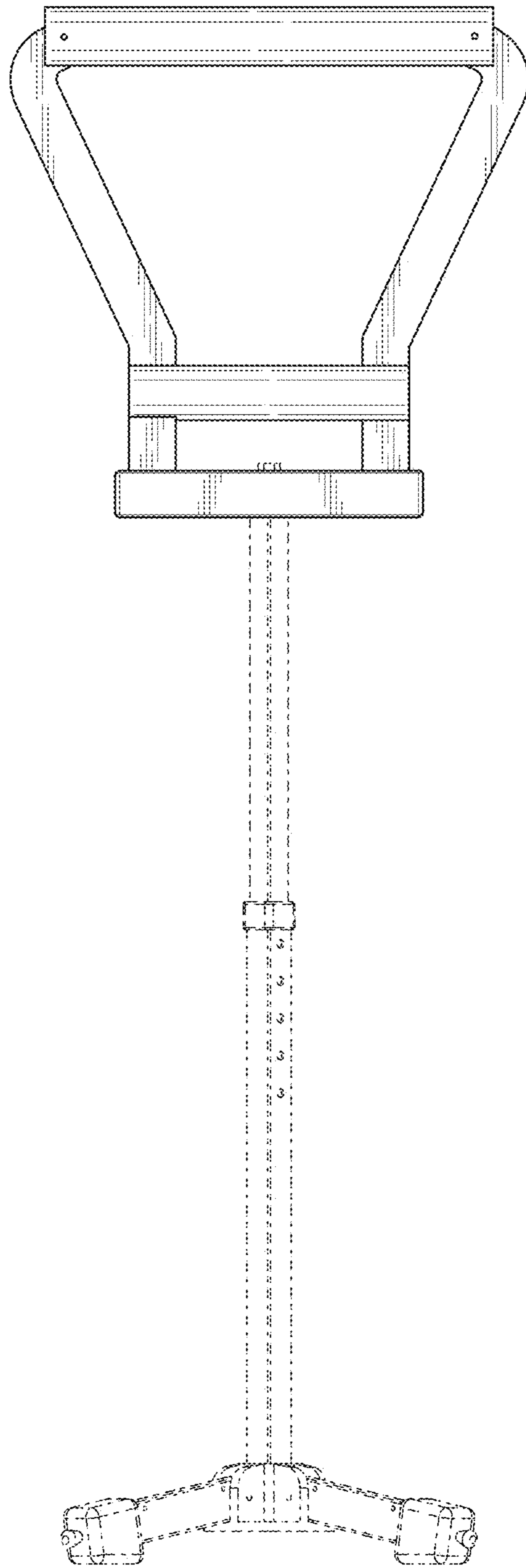


FIG. 3

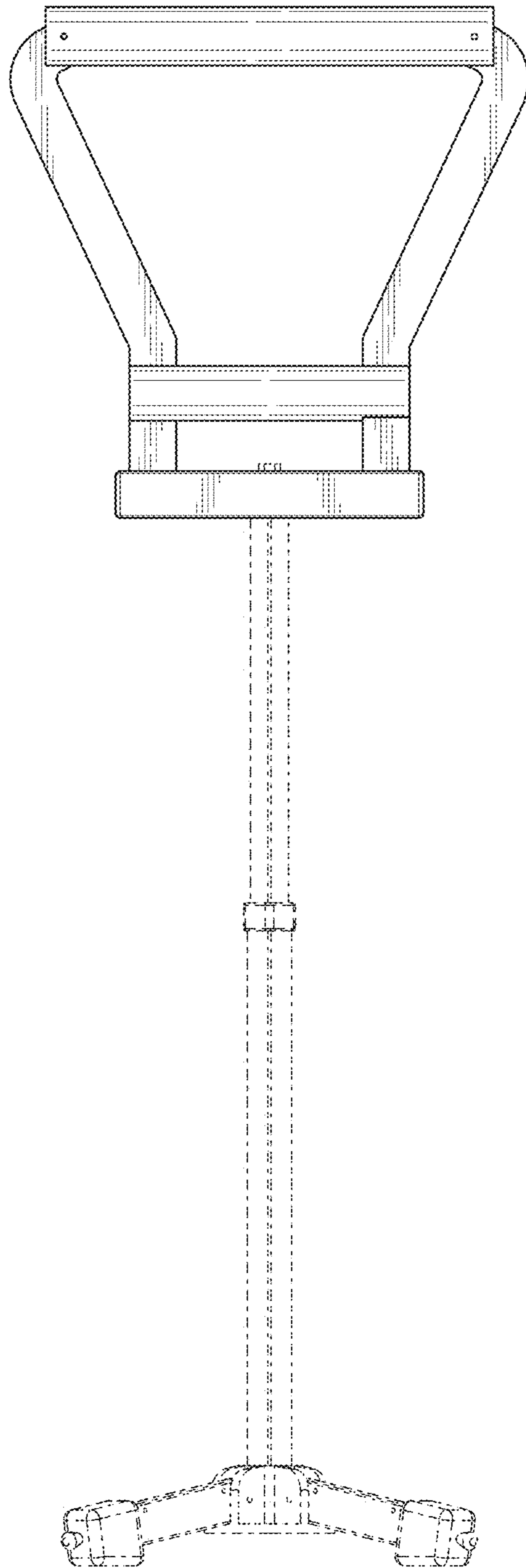


FIG. 4

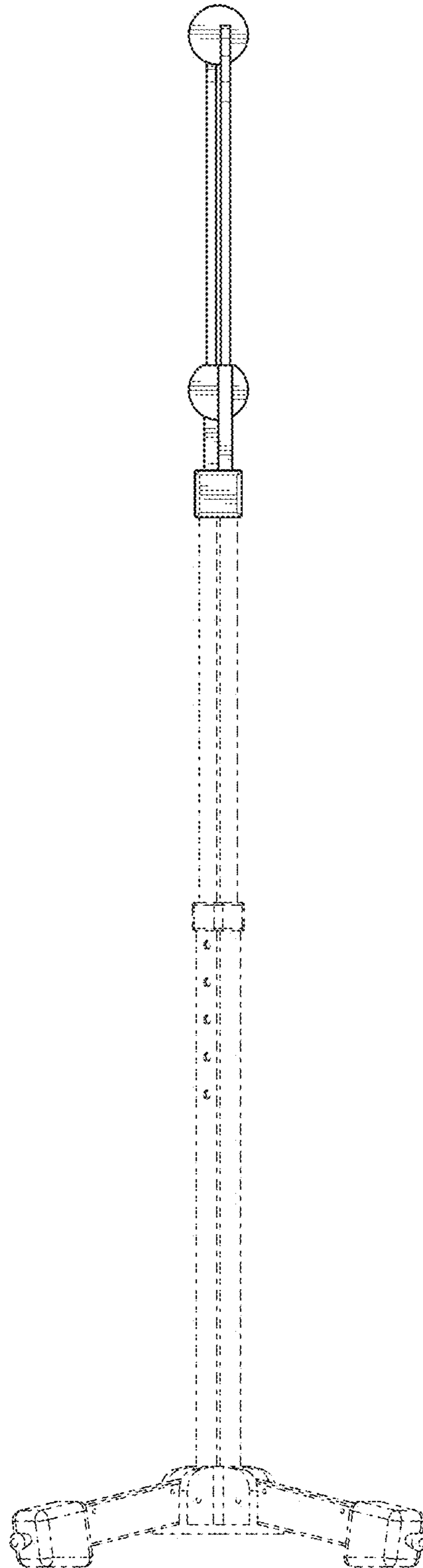


FIG. 5

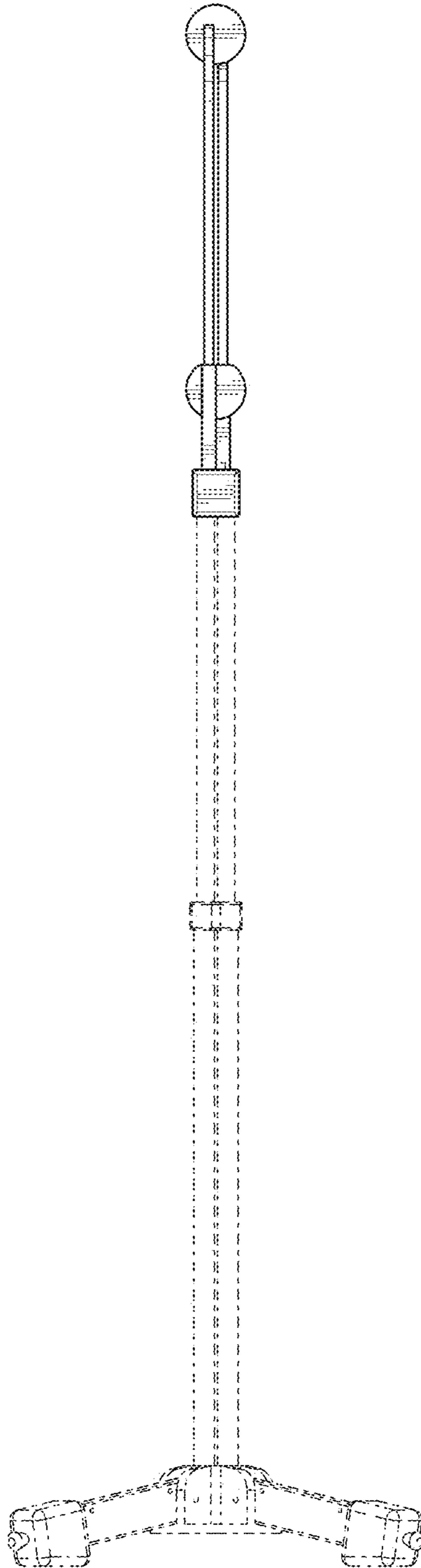


FIG. 6

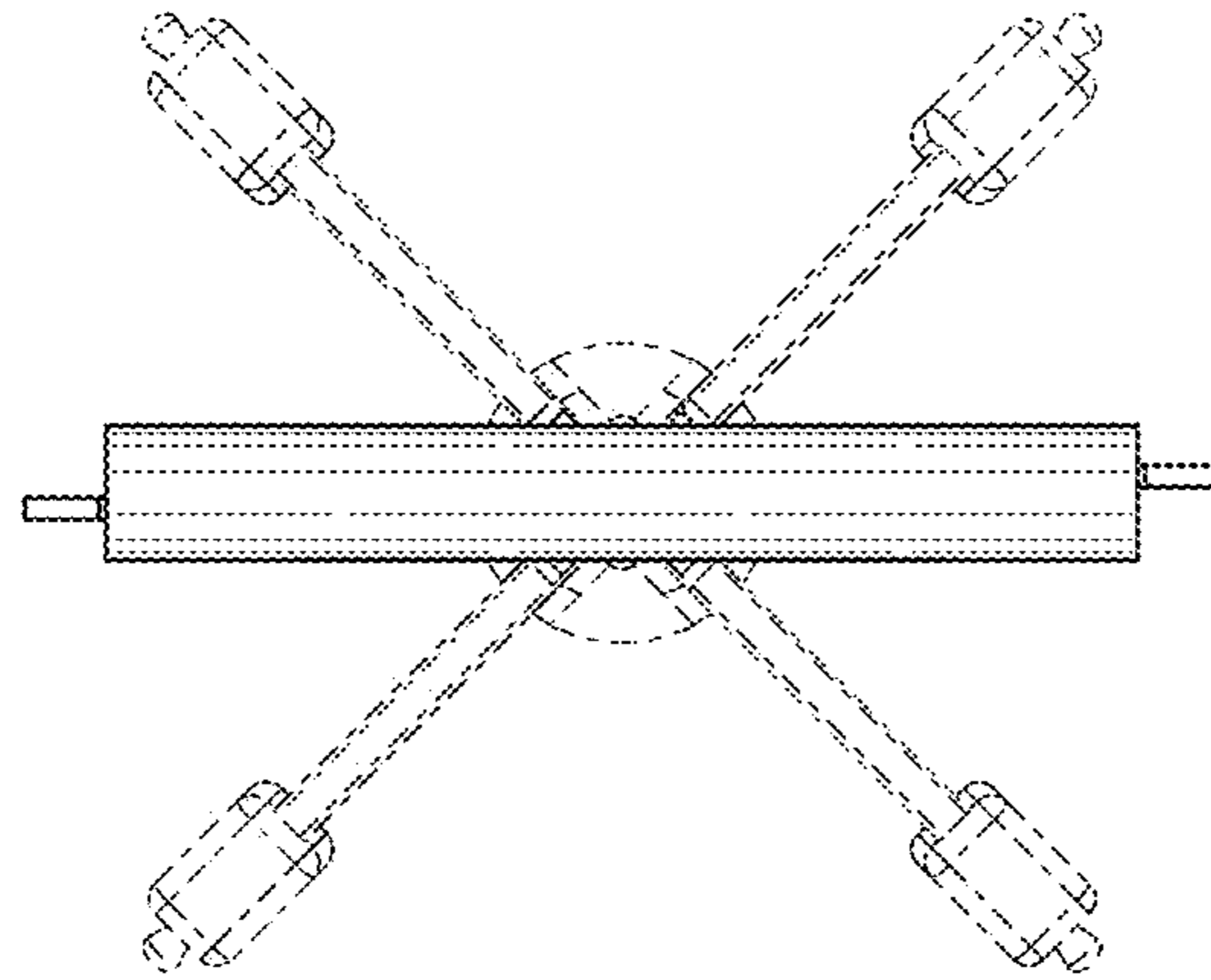


FIG. 7

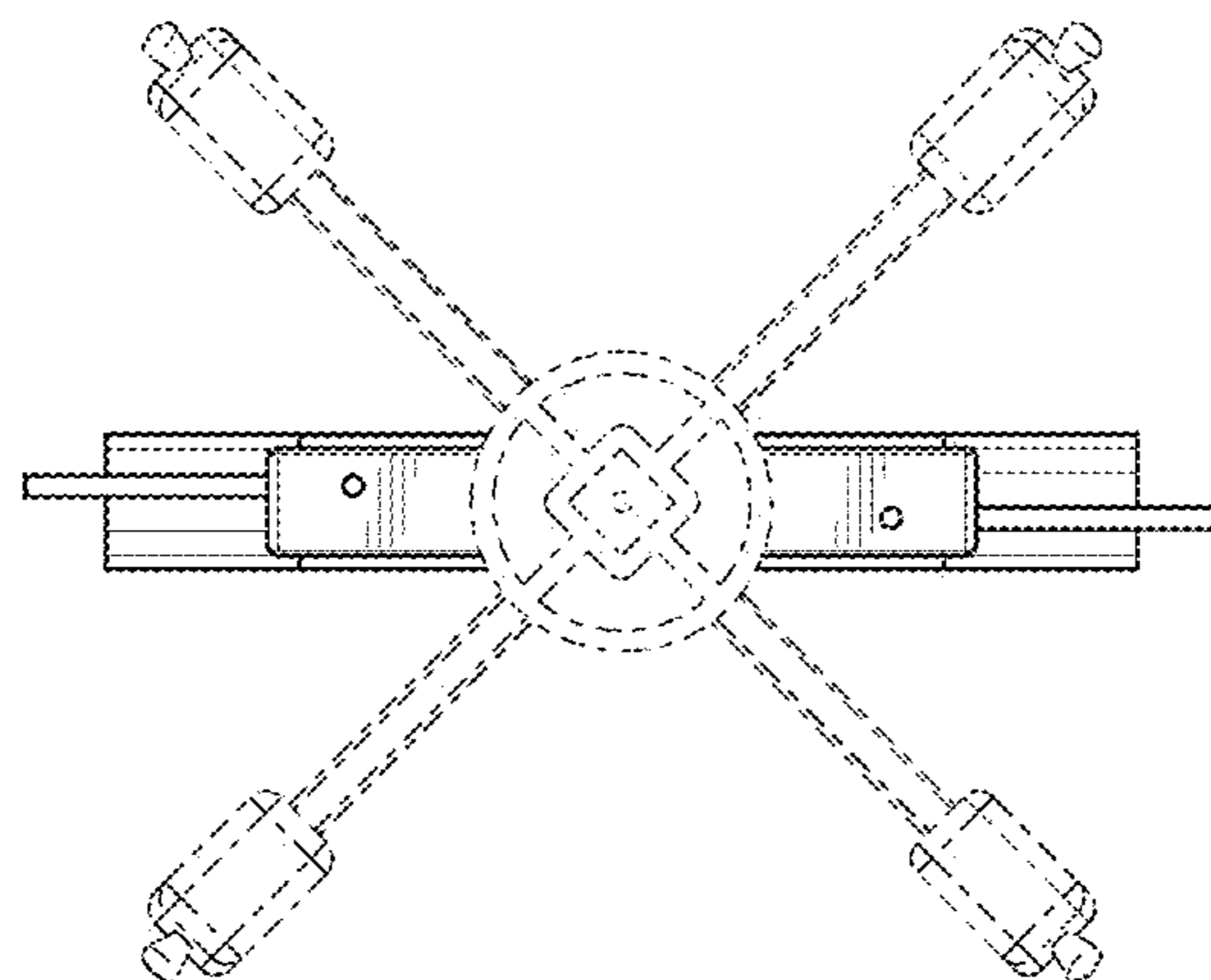


FIG. 8