



US00D893639S

(12) **United States Design Patent** (10) **Patent No.:** **US D893,639 S**  
**Henniger et al.** (45) **Date of Patent:** **\*\* Aug. 18, 2020**

(54) **PULLEY HOUSING**

FOREIGN PATENT DOCUMENTS

(71) Applicant: **Coulter Ventures, LLC**, Columbus, OH (US)

EP 3295998 A1 3/2018  
FR 2630652 A1 11/1989

(Continued)

(72) Inventors: **Bill Henniger**, Columbus, OH (US);  
**Nash Dunahay**, Gahanna, OH (US)

OTHER PUBLICATIONS

(73) Assignee: **Coulter Ventures, LLC.**, Columbus, OH (US)

Photo from <<https://web.archive.org/web/20170112075250/https://mydynamicfitness.com>>, dated Jan. 12, 2017.

(Continued)

(\*\*) Term: **15 Years**

*Primary Examiner* — Ryan Harvey

(21) Appl. No.: **29/667,935**

(74) *Attorney, Agent, or Firm* — Banner & Witcoff, Ltd.

(22) Filed: **Oct. 25, 2018**

(51) **LOC (12) Cl.** ..... **21-02**

(52) **U.S. Cl.**  
USPC ..... **D21/673**

(57) **CLAIM**

(58) **Field of Classification Search**

The ornamental design for pulley housing, as shown and described.

USPC ..... D21/673, 662, 694, 753, 686, 679, 691, D21/680, 682, 696; 482/129, 102, 92, 482/93, 94, 99, 101, 103, 121, 904, 141, 482/138, 139, 98, 106, 41; D30/162; 294/1.4; 248/223.41, 225.11; D6/546, D6/548; D8/360, 356, 14, 75, 83; 254/390, 409, 124, 130, 131, 30; D14/204; 173/90, 91, 132, 118, 130, 173/128; 463/47.6; 215/379, 396; 220/772; D25/126; D10/70; D15/123; 351/156, 157; D13/154; D34/28, 31  
CPC ..... H01L 2924/00014; H01L 2924/00; A63B 21/4035; A63B 37/0076; A63B 37/0064; A63B 21/154

See application file for complete search history.

**DESCRIPTION**

(56) **References Cited**

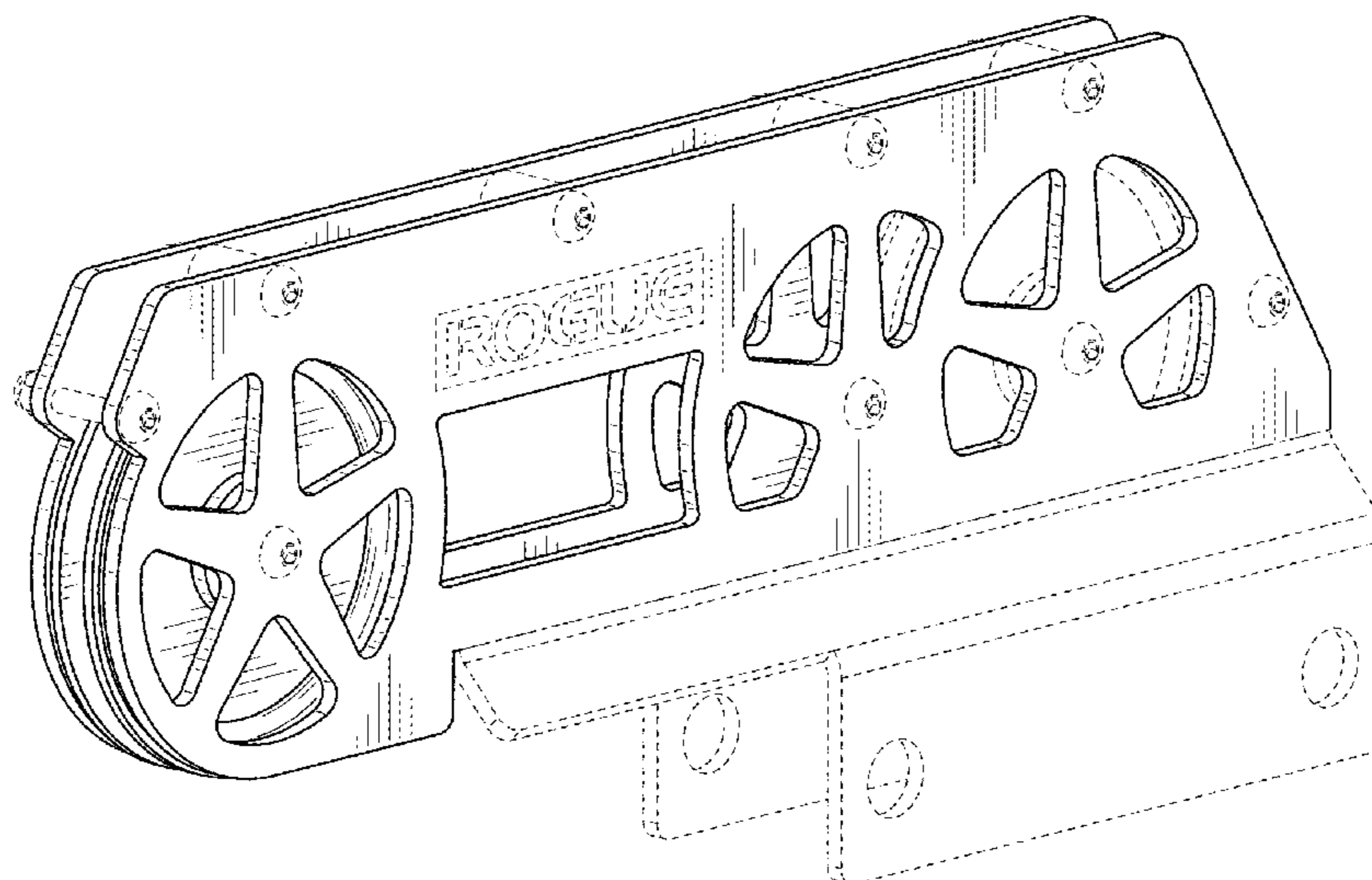
U.S. PATENT DOCUMENTS

325,435 A \* 9/1885 North ..... B07C 3/087 186/22  
723,625 A \* 3/1903 Thornley ..... A63B 21/154 482/102

FIG. 1 is a top, front, left perspective view of a pulley housing showing our new design with selected features disclaimed;  
FIG. 2 is a front view thereof;  
FIG. 3 is a rear view thereof;  
FIG. 4 is left side view thereof;  
FIG. 5 is a right side view thereof;  
FIG. 6 is a top view thereof;  
FIG. 7 is a bottom view thereof;  
FIG. 8 is a bottom, rear, right perspective view thereof; and,  
FIG. 9 is a top, front, left perspective view thereof, showing our new design in its exemplary environment.  
The broken lines showing the remainder of the pulley housing and the exemplary environment show features that form no part of the claimed design.

(Continued)

**1 Claim, 7 Drawing Sheets**



(56)

References Cited

U.S. PATENT DOCUMENTS

3,806,094 A \* 4/1974 Harken ..... B66D 3/04  
254/409  
D260,963 S \* 9/1981 Merry ..... D8/360  
4,286,782 A 9/1981 Fuhrhop  
4,339,125 A 7/1982 Uyeda et al.  
4,492,375 A 1/1985 Connelly  
4,582,320 A 4/1986 Shaw  
4,634,127 A \* 1/1987 Rockwell ..... A63B 21/169  
482/138  
4,635,934 A 1/1987 Roethke  
4,697,809 A \* 10/1987 Rockwell ..... A63B 21/0628  
482/102  
4,856,775 A 8/1989 Colledge et al.  
4,974,838 A \* 12/1990 Sollenberger ..... A63B 21/155  
482/101  
5,050,868 A 9/1991 Pearson  
5,116,297 A 5/1992 Stonecipher  
D330,156 S \* 10/1992 Dye ..... D8/360  
5,242,344 A \* 9/1993 Hundley ..... A63B 21/00072  
473/229  
5,529,558 A 6/1996 Koenig  
5,569,133 A 10/1996 Vittone  
5,722,922 A 3/1998 Watterson et al.  
5,800,321 A \* 9/1998 Webber ..... A63B 21/00072  
482/100  
5,951,444 A \* 9/1999 Webber ..... A63B 21/0628  
254/399  
5,971,897 A 10/1999 Olson et al.  
D431,449 S \* 10/2000 Mihailovic ..... D8/360  
6,217,483 B1 4/2001 Kallassy  
6,238,323 B1 5/2001 Simonson  
6,261,205 B1 7/2001 Elefson  
6,394,935 B1 5/2002 Lake  
6,447,430 B1 9/2002 Webb et al.  
6,482,139 B1 11/2002 Haag  
6,527,683 B2 \* 3/2003 Tolles ..... A63B 21/152  
482/103  
D512,113 S \* 11/2005 Carter ..... D21/675  
7,070,546 B1 \* 7/2006 Grasso ..... A63B 21/072  
482/103  
D550,790 S 9/2007 Staten  
D550,791 S 9/2007 Rogers et al.  
D550,792 S 9/2007 Rogers et al.  
D551,306 S 9/2007 Rogers et al.  
7,488,277 B1 2/2009 Knapp  
7,549,950 B1 6/2009 Lundquist et al.  
7,601,105 B1 \* 10/2009 Gipson, III ..... A63B 21/055  
482/103  
7,717,833 B1 \* 5/2010 Nelson ..... A63B 21/15  
482/100  
D627,208 S \* 11/2010 Huang ..... D8/360  
7,922,630 B1 \* 4/2011 Batca ..... A63B 21/0628  
482/100  
7,981,010 B1 \* 7/2011 Webber ..... A63B 21/0615  
482/100  
7,998,037 B2 \* 8/2011 Luquette ..... A63B 21/0628  
482/103  
7,998,040 B2 8/2011 Kram et al.  
8,057,368 B1 11/2011 Lyszczarz  
8,096,926 B1 1/2012 Batca  
D658,487 S \* 5/2012 Chih ..... D8/360  
D659,775 S \* 5/2012 Olson ..... D21/673  
8,172,733 B1 5/2012 Batca  
D679,764 S \* 4/2013 Alessandri ..... D21/662  
8,485,951 B1 \* 7/2013 Adams ..... A63B 21/04  
224/403  
8,550,964 B2 \* 10/2013 Ish, III ..... A63B 21/156  
482/103  
D708,507 S \* 7/2014 Fretz ..... D8/360  
8,834,328 B1 \* 9/2014 Batca ..... A63B 21/00043  
482/100  
9,011,301 B2 4/2015 Balandis et al.  
9,028,381 B2 5/2015 Mestemaker

9,067,100 B2 \* 6/2015 Habing ..... A63B 21/156  
9,289,638 B2 3/2016 Towley, III et al.  
9,302,139 B2 4/2016 Habing et al.  
9,421,413 B2 8/2016 Staten et al.  
9,446,285 B1 \* 9/2016 Drath ..... A63B 23/0211  
9,457,220 B2 \* 10/2016 Olson ..... A63B 21/156  
9,656,116 B2 \* 5/2017 Giannelli ..... A63B 21/063  
D797,869 S \* 9/2017 Baudhuin ..... D21/694  
9,802,075 B2 \* 10/2017 Gvoich ..... A63B 21/4035  
D808,475 S 1/2018 Meredith et al.  
D830,481 S \* 10/2018 Yang ..... D21/676  
10,265,572 B2 \* 4/2019 Bach ..... A63B 21/0087  
D860,766 S \* 9/2019 Brown ..... D8/360  
10,525,301 B2 \* 1/2020 Hsu ..... A63B 21/00  
D878,185 S \* 3/2020 Petzl ..... D8/356  
2003/0100413 A1 \* 5/2003 Huang ..... A63B 21/154  
482/100  
2003/0115955 A1 6/2003 Keiser  
2004/0018920 A1 \* 1/2004 Simonson ..... A63B 21/154  
482/99  
2005/0054493 A1 3/2005 Skilken et al.  
2005/0202941 A1 9/2005 Vaes  
2006/0183607 A1 8/2006 Collias  
2006/0247107 A1 \* 11/2006 Carter ..... A63B 21/15  
482/99  
2006/0252615 A1 11/2006 Melcer  
2007/0037674 A1 \* 2/2007 Finn ..... A63B 21/156  
482/97  
2007/0093365 A1 4/2007 Batca  
2007/0155595 A1 7/2007 Rogers et al.  
2007/0155596 A1 7/2007 Rogers et al.  
2009/0114893 A1 \* 5/2009 Lange ..... F16C 19/381  
254/390  
2009/0137370 A1 \* 5/2009 Kushnir ..... A63B 21/00069  
482/120  
2009/0143203 A1 6/2009 Knapp  
2009/0170675 A1 \* 7/2009 Giannelli ..... A63B 23/03533  
482/139  
2010/0016129 A1 \* 1/2010 Chou ..... A63B 21/156  
482/97  
2010/0216610 A1 8/2010 Gedeon-Janvier  
2010/0292057 A1 11/2010 Dunn  
2012/0289384 A1 11/2012 Staten et al.  
2013/0035220 A1 2/2013 Adams  
2013/0109543 A1 \* 5/2013 Reyes ..... A63B 23/03558  
482/99  
2013/0274075 A1 \* 10/2013 Habing ..... A63B 23/03566  
482/102  
2013/0296143 A1 11/2013 Staten et al.  
2013/0296146 A1 11/2013 Staten et al.  
2014/0087928 A1 3/2014 Luedeka  
2014/0256517 A1 9/2014 Poppinga  
2015/0083681 A1 3/2015 Childs  
2015/0182773 A1 7/2015 Olson et al.  
2015/0246258 A1 \* 9/2015 Hockridge ..... A63B 21/0628  
482/99  
2015/0352395 A1 12/2015 Gregory  
2016/0213967 A1 7/2016 Habing et al.  
2017/0007877 A1 1/2017 Leipheimer  
2017/0246496 A1 8/2017 Nelson et al.  
2017/0246504 A1 8/2017 Simmons

FOREIGN PATENT DOCUMENTS

GB 2346808 A 8/2000  
KR 200466889 Y1 5/2013  
KR 20140060130 A 5/2014  
WO 9842411 A1 10/1998  
WO 201893699 A1 5/2018

OTHER PUBLICATIONS

Screenshots from <<https://www.youtube.com/watch?v=A4xv8OhVbzI>>, dated May 17, 2018.  
Product promotional materials for Dynamic Fitness Ultra Pro Rack Series from <<https://web.archive.org/web/20170112075250/https://mydynamicfitness.com>> dated Jan. 12, 2017.

(56)

**References Cited**

OTHER PUBLICATIONS

Product listing for Rogue Monster Lever Arms from <<https://web.archive.org/web/20160529110340/http://www.roguefitness.com/monster-lever-arms>>, dated May 29, 2016.

Product listing for Rogue Monster Lever Arms from <<https://web.archive.org/web/20161111082206/http://www.roguefitness.com/monster-lever-arms>>, dated Nov. 11, 2016.

\* cited by examiner

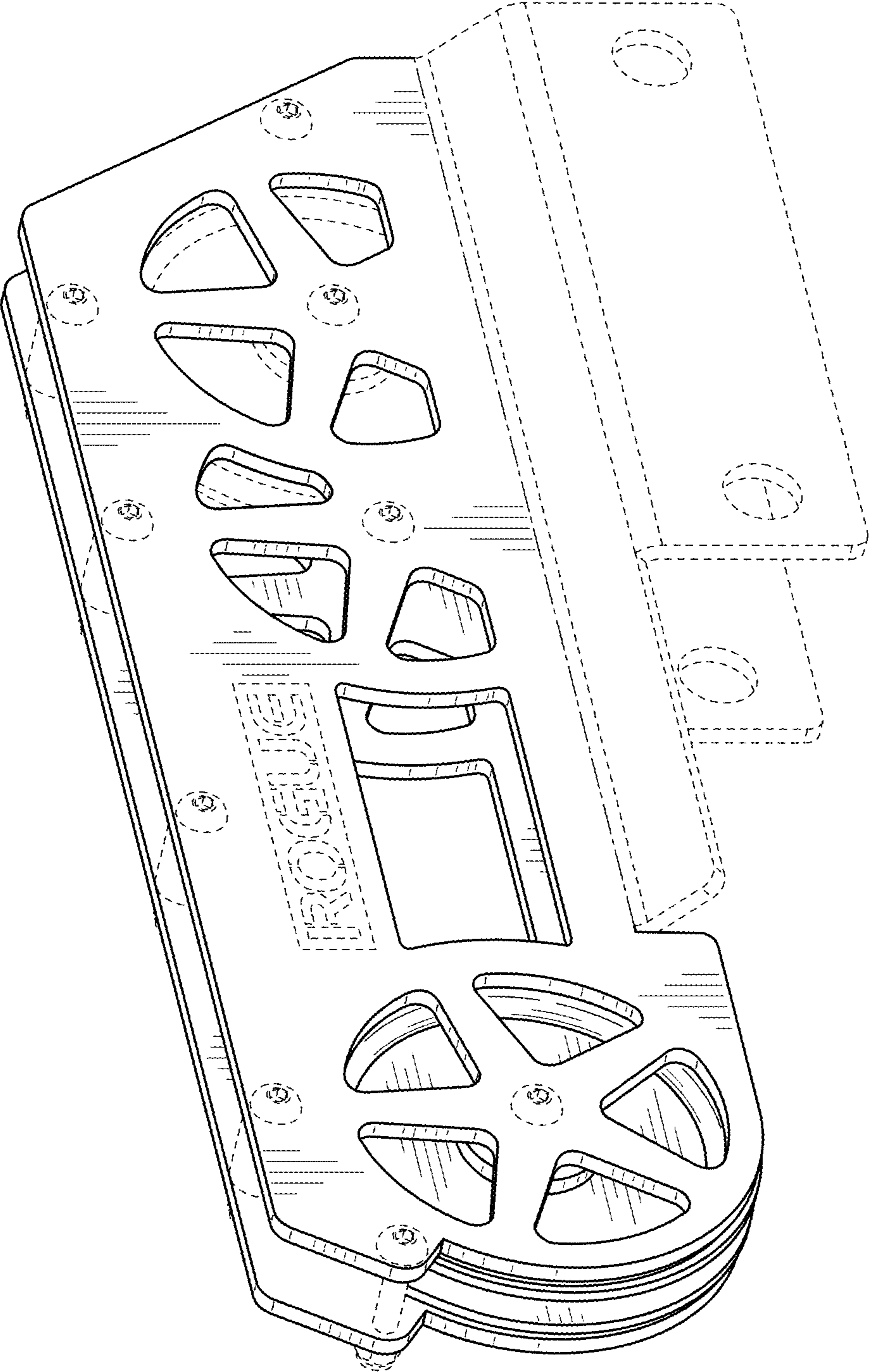


FIG. 1

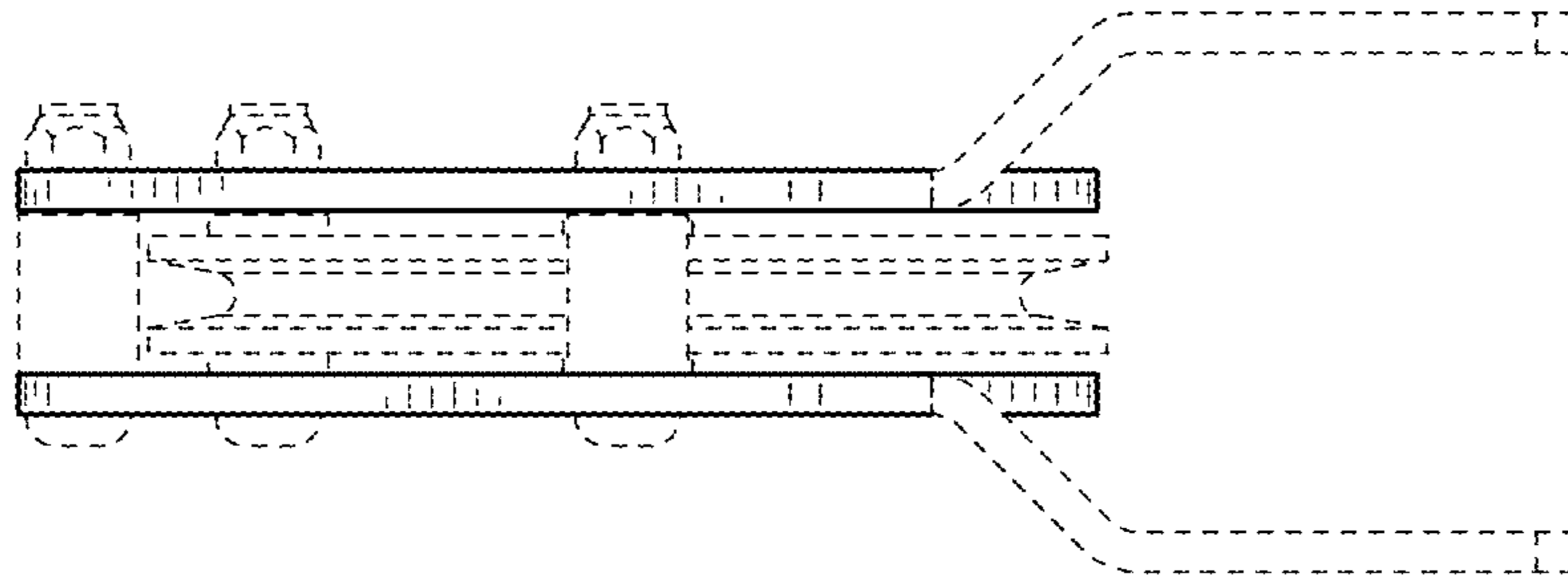


FIG. 3

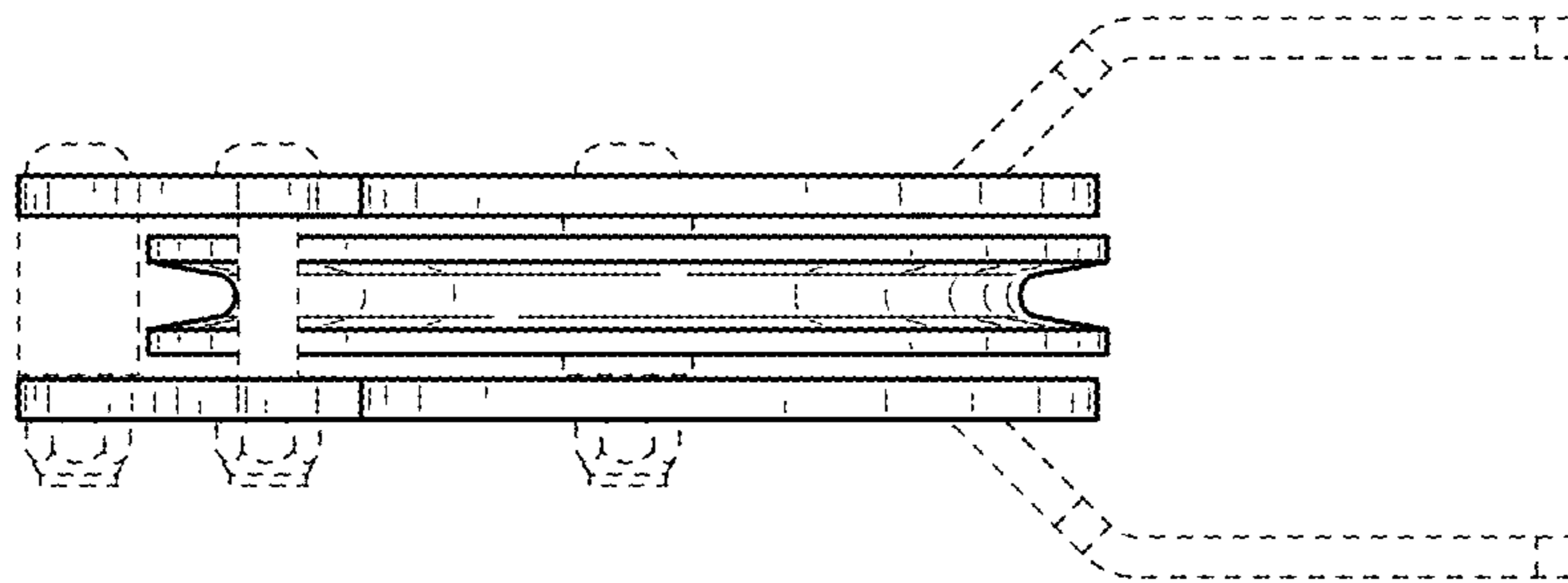


FIG. 2

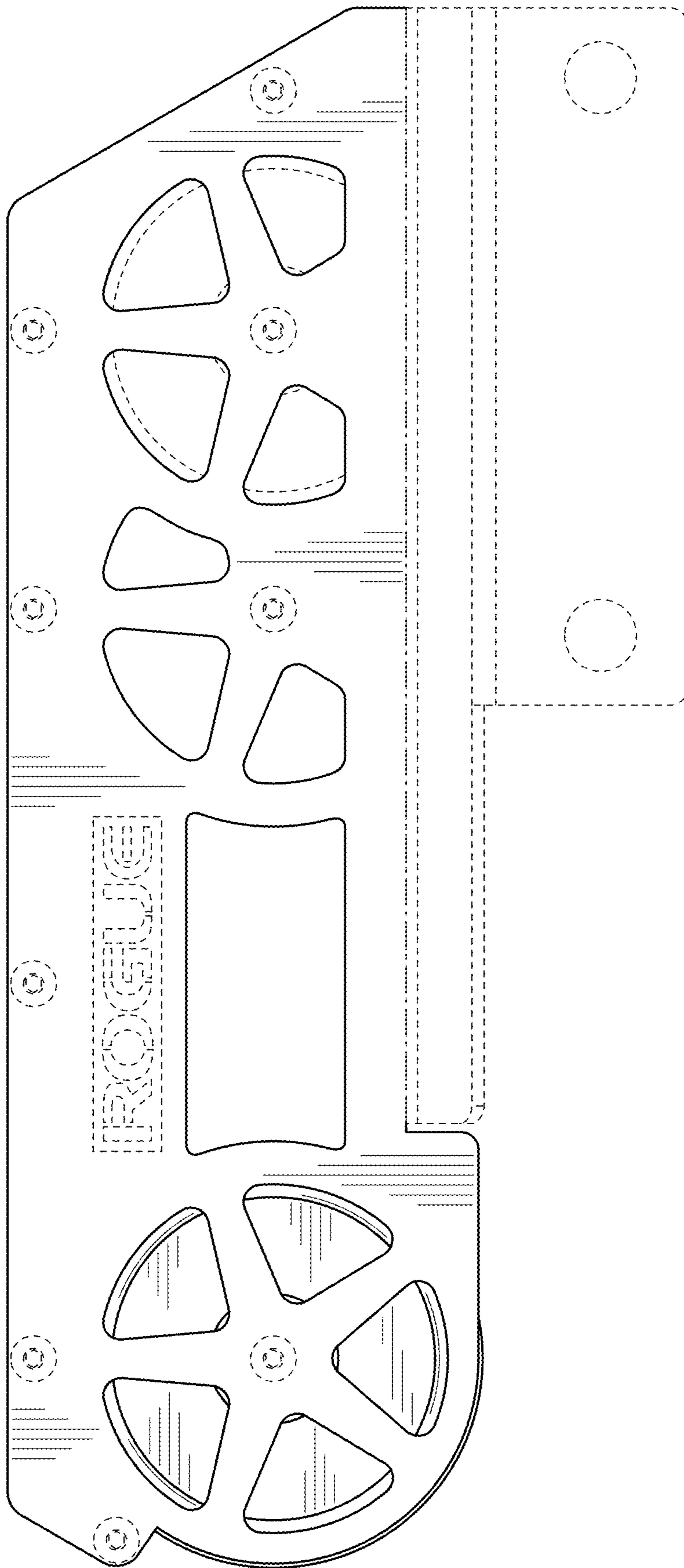


FIG. 4

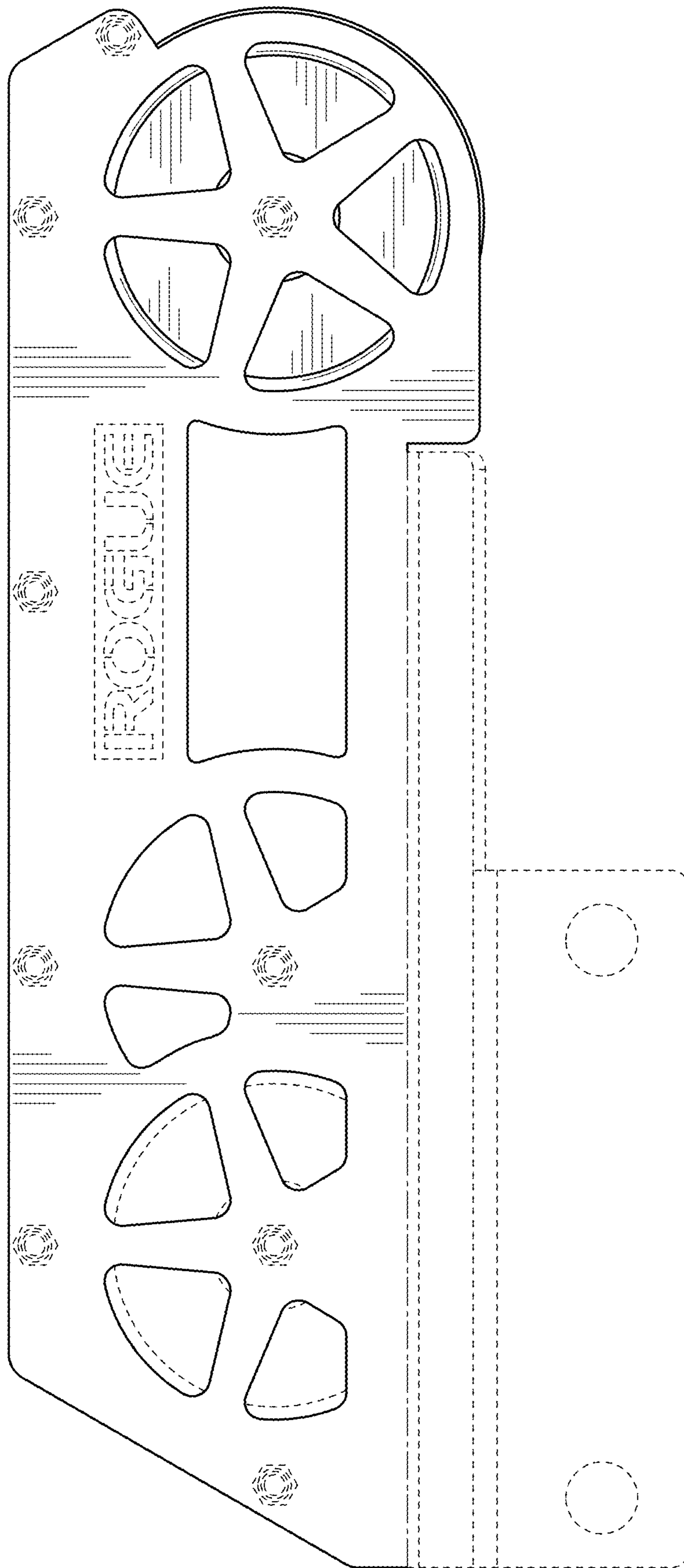


FIG. 5

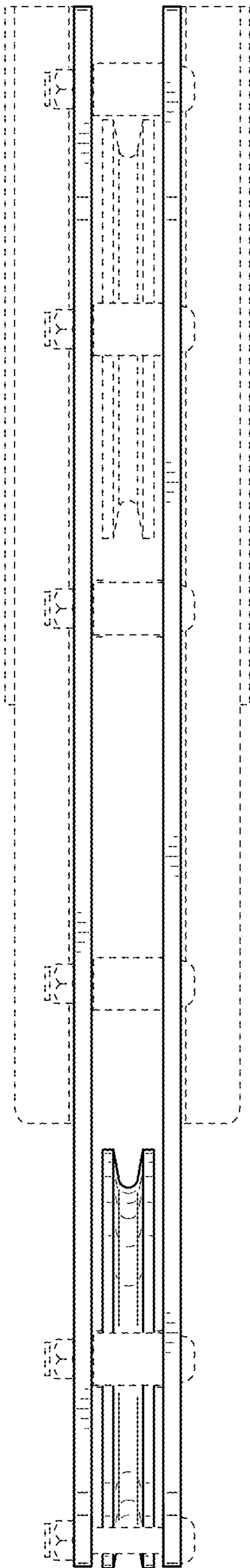


FIG. 6

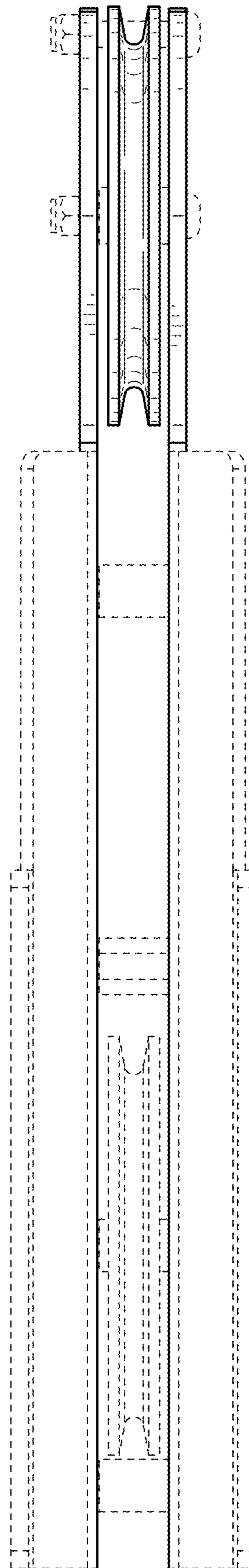


FIG. 7



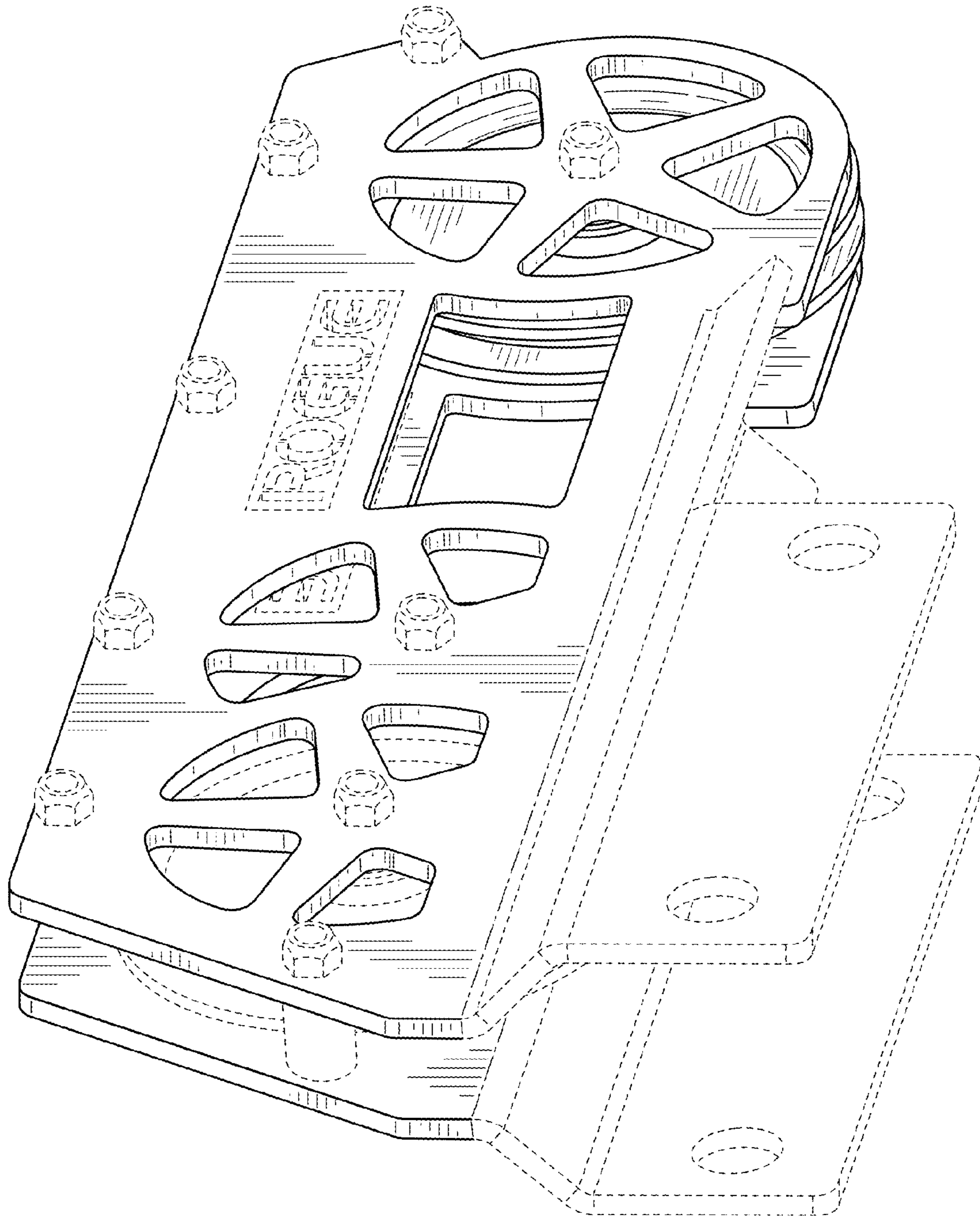


FIG. 8

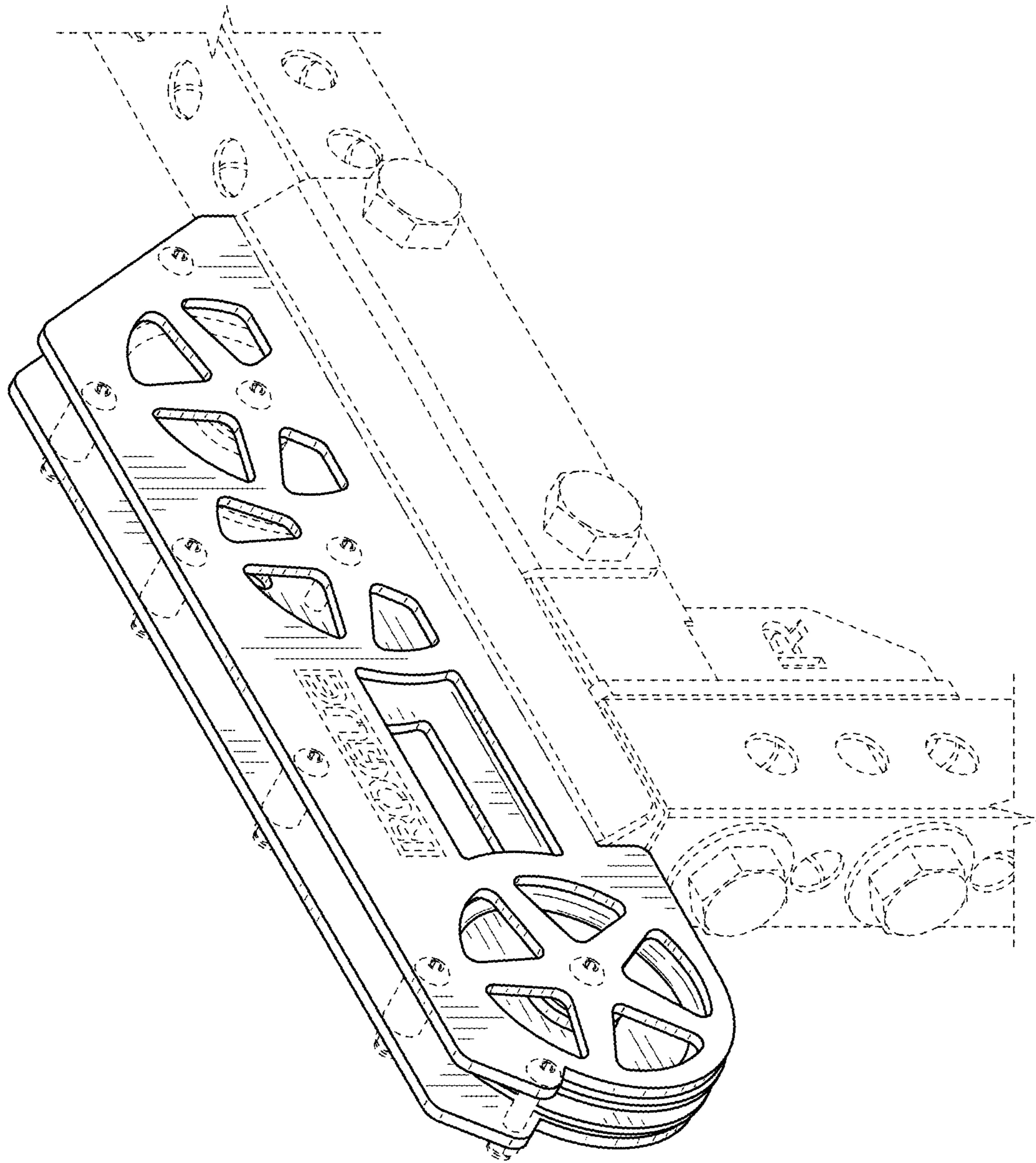


FIG. 9