



US00D893638S

(12) **United States Design Patent**  
**Singer et al.**

(10) **Patent No.:** **US D893,638 S**

(45) **Date of Patent:** **\*\* Aug. 18, 2020**

- (54) **LASER TAG GUN**
- (71) Applicant: **Champion Games LLC**, Brooklyn, NY (US)
- (72) Inventors: **Aryeh Singer**, Brooklyn, NY (US);  
**Joseph Oberlander**, Brooklyn, NY (US)
- (73) Assignee: **Champion Games LLC**, Brooklyn, NY (US)
- (\*\*) Term: **15 Years**
- (21) Appl. No.: **29/733,916**
- (22) Filed: **May 7, 2020**
- (51) **LOC (12) Cl.** ..... **21-01**
- (52) **U.S. Cl.**  
USPC ..... **D21/574**
- (58) **Field of Classification Search**  
USPC ..... D21/333, 401, 461, 567, 568, 570–575;  
D14/418; D22/100, 101, 104, 105,  
D22/108–110  
CPC .... F41B 7/00; F41B 7/003; F41B 7/08; F41B  
11/89; F41A 33/00; F41A 33/02; F41A  
33/04; F41A 33/06; A63H 5/04; A63F  
9/02; A63F 9/0291  
See application file for complete search history.

|              |      |         |                 |       |                       |
|--------------|------|---------|-----------------|-------|-----------------------|
| 8,303,421    | B1 * | 11/2012 | Farley          | ..... | A63F 9/02<br>463/53   |
| D673,625     | S *  | 1/2013  | Mowbray         | ..... | D21/573               |
| D687,904     | S *  | 8/2013  | Hadley          | ..... | D21/573               |
| 8,721,460    | B2   | 5/2014  | Rosenblum       |       |                       |
| 8,951,128    | B1 * | 2/2015  | Farley          | ..... | A63F 13/213<br>463/51 |
| D754,796     | S *  | 4/2016  | Sakai           | ..... | D21/333               |
| D754,802     | S    | 4/2016  | Martelli et al. |       |                       |
| D760,326     | S    | 6/2016  | Chu             |       |                       |
| D769,374     | S *  | 10/2016 | Won             | ..... | D21/333               |
| D828,476     | S    | 9/2018  | Smith et al.    |       |                       |
| D883,401     | S *  | 5/2020  | Yang            | ..... | D21/574               |
| 2008/0188314 | A1 * | 8/2008  | Rosenblum       | ..... | F41J 5/02<br>463/52   |
| 2018/0229108 | A1 * | 8/2018  | Waldman         | ..... | F41A 33/02            |
| 2019/0321718 | A1 * | 10/2019 | Margareten      | ..... | F41J 5/02             |

\* cited by examiner

*Primary Examiner* — Cynthia M. Chin

(74) *Attorney, Agent, or Firm* — Bochner IP; Andrew D. Bochner

(57) **CLAIM**

The ornamental design for a laser tag gun, as shown and described.

**DESCRIPTION**

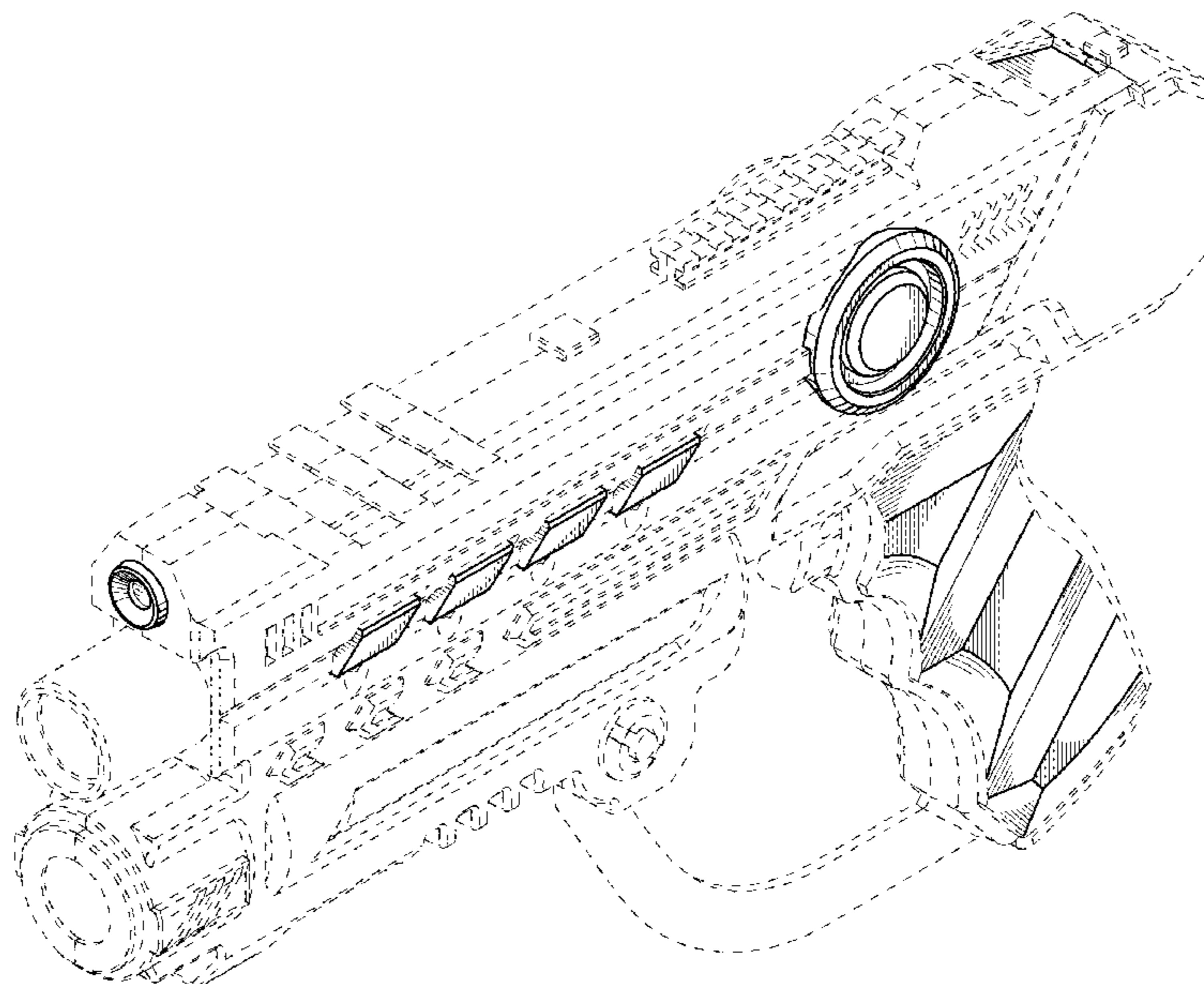
FIG. 1 is a top, front, right side perspective view of the laser tag gun;  
 FIG. 2 is a top, rear, right side perspective view thereof;  
 FIG. 3 is a front elevation view thereof;  
 FIG. 4 is a rear elevation view thereof;  
 FIG. 5 is a left side elevation view thereof;  
 FIG. 6 is a right side elevation view thereof;  
 FIG. 7 is a top plan view thereof; and,  
 FIG. 8 is a bottom plan view thereof.  
 The broken lines are for the purpose of illustrating portions of the article that form no part of the claim.

**1 Claim, 6 Drawing Sheets**

(56) **References Cited**

U.S. PATENT DOCUMENTS

|           |      |         |              |       |                       |
|-----------|------|---------|--------------|-------|-----------------------|
| D386,543  | S *  | 11/1997 | Chikui       | ..... | D14/418               |
| D436,356  | S *  | 1/2001  | Lee          | ..... | D14/418               |
| D458,652  | S *  | 6/2002  | Chan         | ..... | D21/574               |
| D554,712  | S *  | 11/2007 | Yuen         | ..... | D21/574               |
| 7,306,523 | B1 * | 12/2007 | Jeffway, Jr. | ..... | F41A 33/02<br>446/175 |
| D660,925  | S *  | 5/2012  | Jablonski    | ..... | D21/573               |
| D660,927  | S *  | 5/2012  | Jablonski    | ..... | D21/574               |



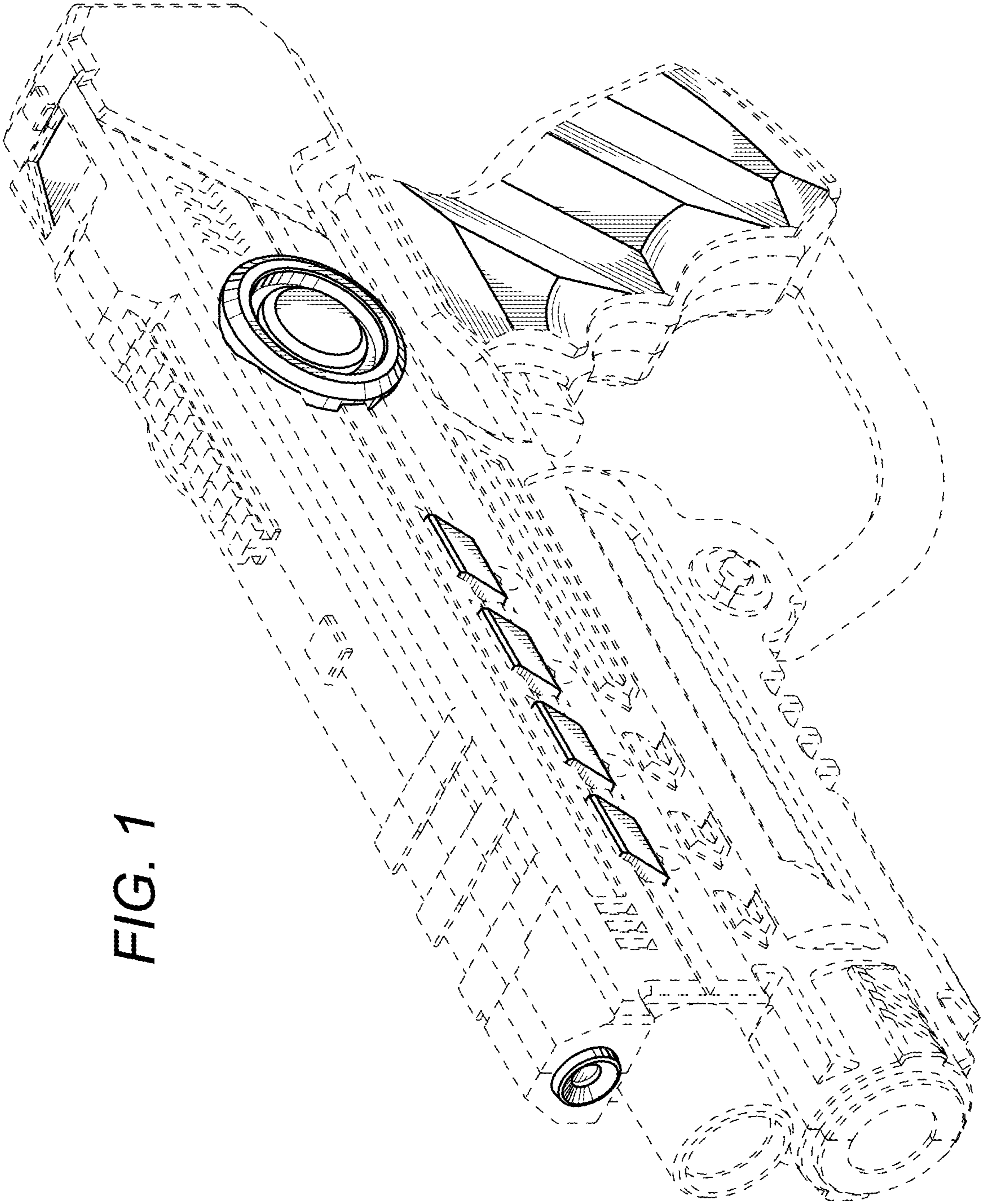


FIG. 1

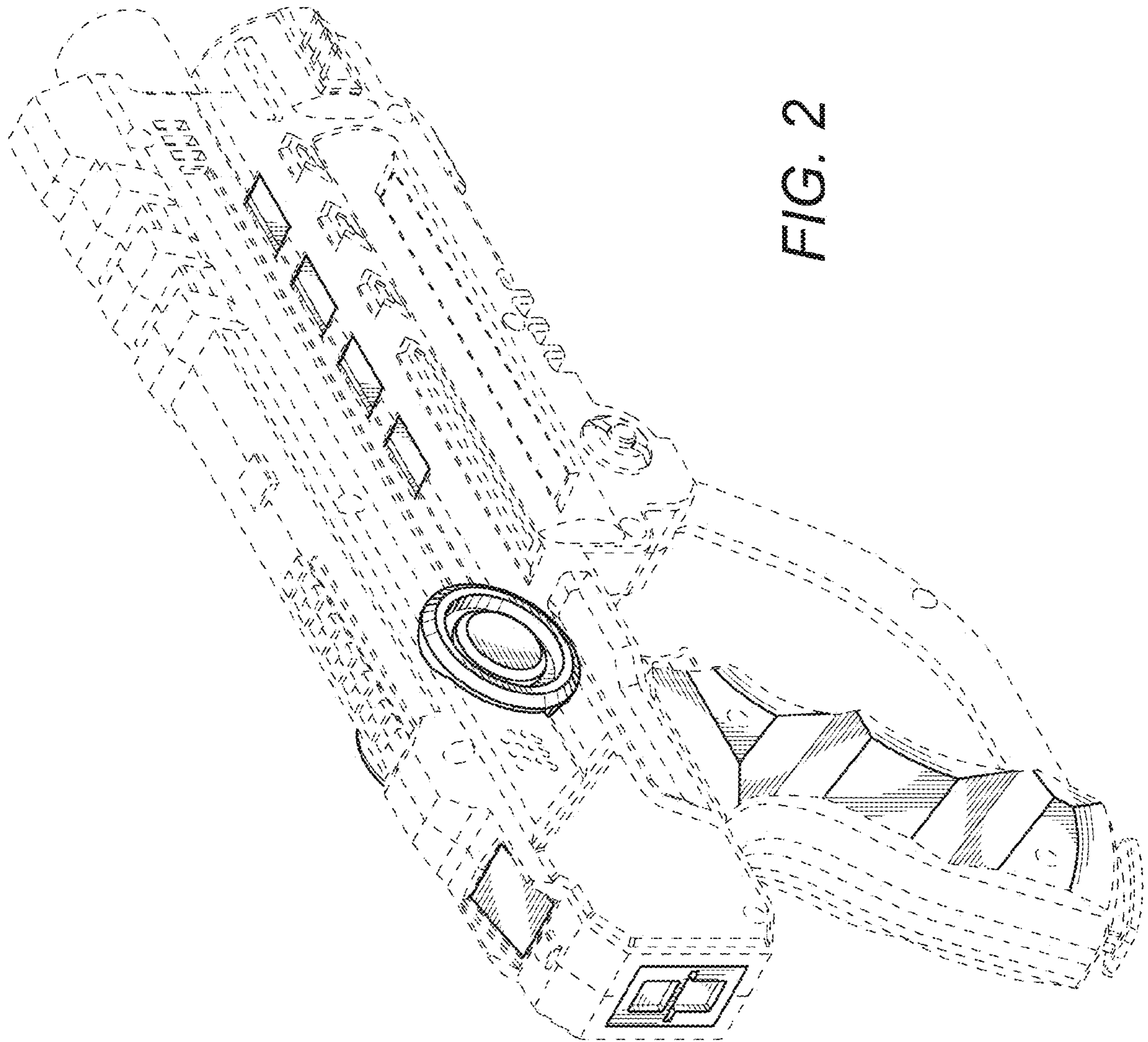
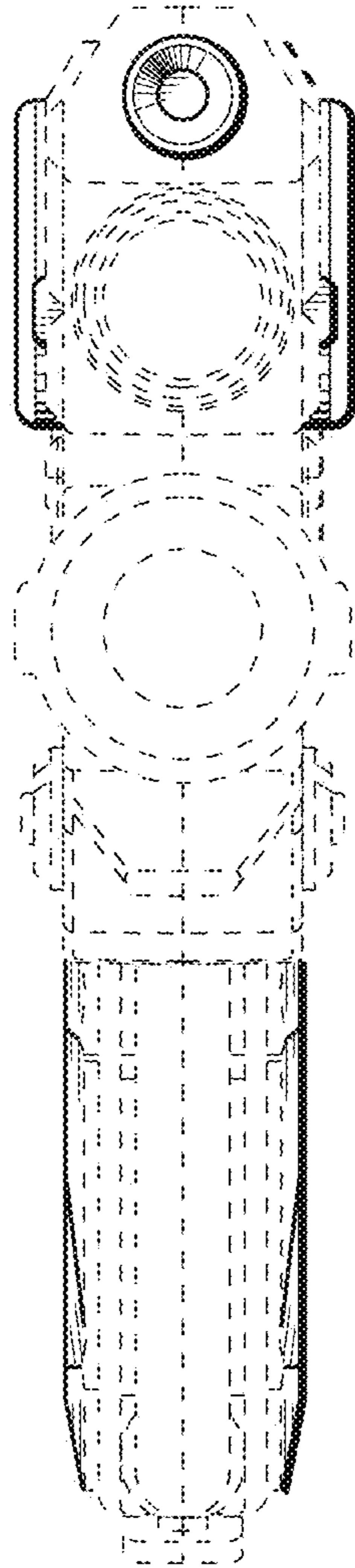
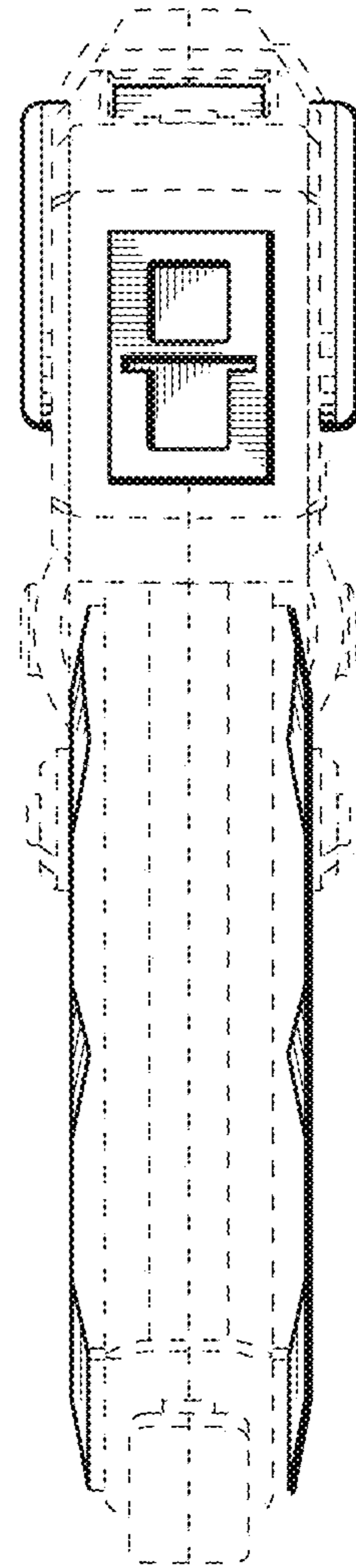


FIG. 2



*FIG. 3*



*FIG. 4*

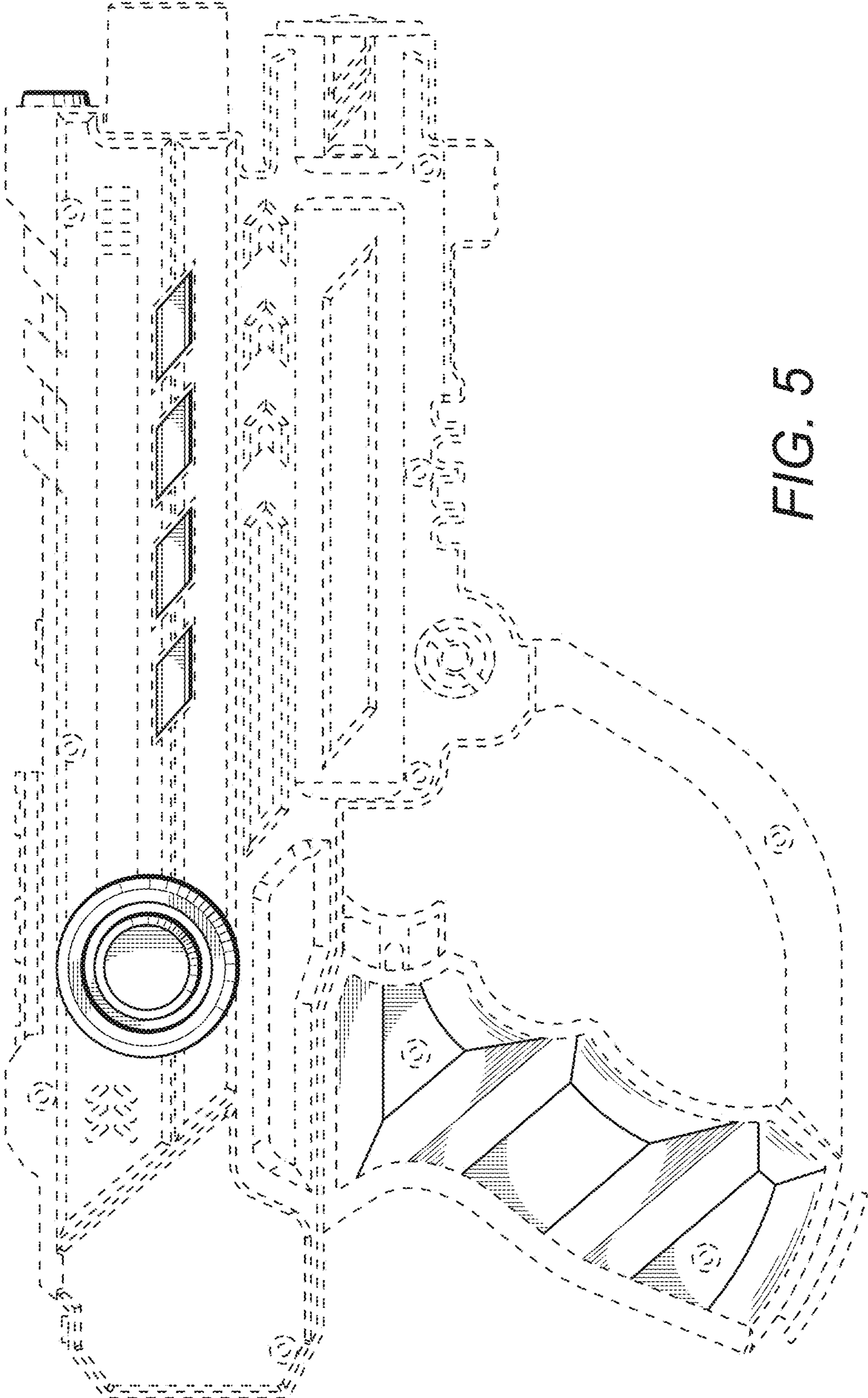


FIG. 5

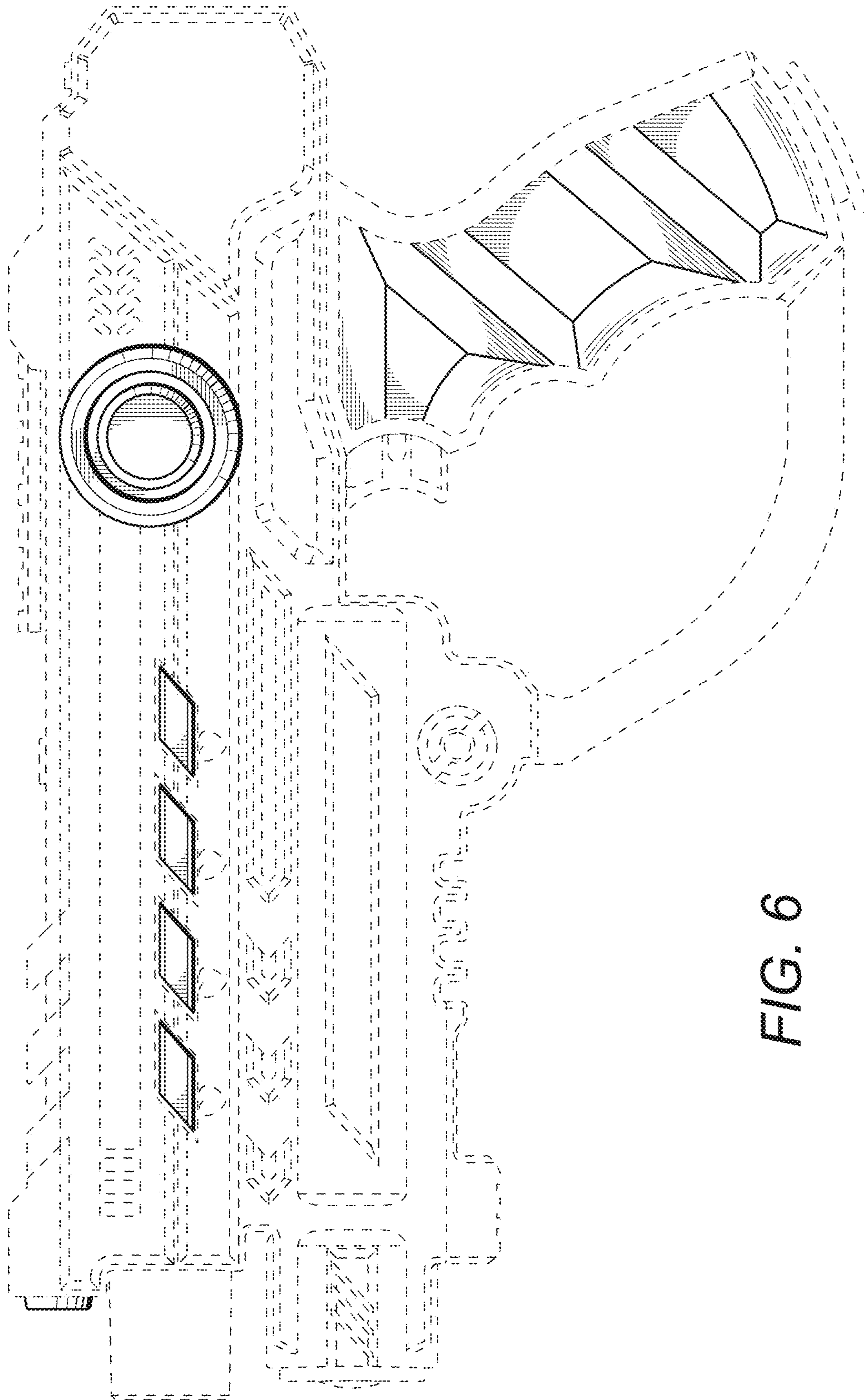


FIG. 6

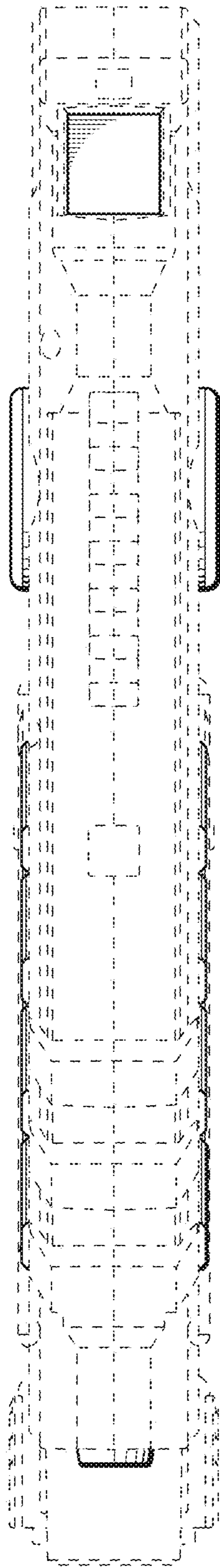


FIG. 7

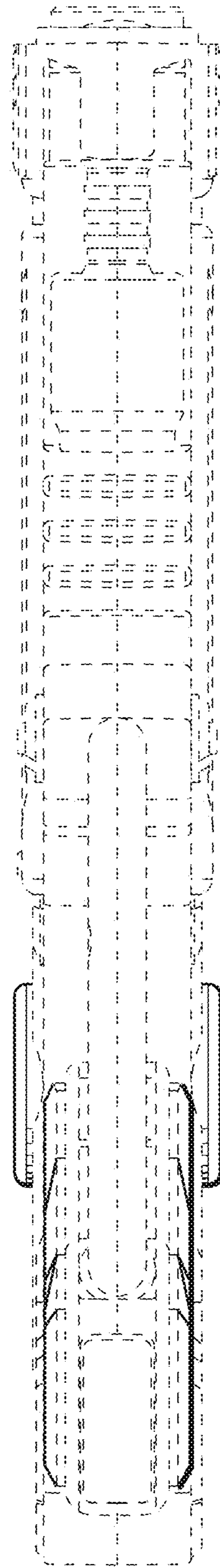


FIG. 8