



US00D893637S

(12) **United States Design Patent**  
**Ma**

(10) **Patent No.:** **US D893,637 S**

(45) **Date of Patent:** **\*\* Aug. 18, 2020**

(54) **FOLDING WAGON**

(71) Applicant: **MASC METAL INDUSTRY GROUP LIMITED**, Sheung (HK)

(72) Inventor: **Chao Ma**, Hengshui (CN)

(\*\*) Term: **15 Years**

(21) Appl. No.: **29/727,618**

(22) Filed: **Mar. 12, 2020**

(51) **LOC (12) Cl.** ..... **21-01**

(52) **U.S. Cl.**

USPC ..... **D21/425**

(58) **Field of Classification Search**

USPC ..... D21/425, 534, 536; D12/105, 106, 133;  
D34/12, 27

CPC .. B62B 3/00; B62B 3/02; B62B 3/002; B62B 3/003; B62B 3/007; B62B 3/14; B62B 5/08; B62B 5/082; B62B 5/085; B62B 5/087

See application file for complete search history.

(56) **References Cited**

**U.S. PATENT DOCUMENTS**

D566,200 S	4/2008	Seckel et al.	
8,388,015 B2 *	3/2013	Chen	B62B 3/007 280/642
9,073,564 B2 *	7/2015	Yang	B62B 3/02
9,145,154 B1 *	9/2015	Horowitz	B62B 3/025
D748,739 S	2/2016	Horowitz	
9,580,095 B2 *	2/2017	Vargas, II	B62B 3/022
D794,133 S	8/2017	Ostergaard et al.	
10,040,470 B1 *	8/2018	Horowitz	B62B 3/102
D827,722 S *	9/2018	Sun	D21/425
10,099,711 B1 *	10/2018	Sun	B62B 3/007
10,099,712 B1 *	10/2018	Sun	B62B 5/067

10,106,186 B2 *	10/2018	Choi	B62B 5/0013
D861,278 S *	9/2019	Pang	B62B 3/007 D34/12
10,399,586 B1 *	9/2019	Huang	B62B 5/067
D866,676 S	11/2019	Ostergaard	
D879,204 S *	3/2020	Zhu	D21/425
2010/0090444 A1 *	4/2010	Chen	B62B 3/007 280/651
2014/0001735 A1 *	1/2014	Yang	B62B 3/02 280/651
2015/0145224 A1 *	5/2015	Zhu	B62B 3/007 280/42

\* cited by examiner

*Primary Examiner* — Cynthia M. Chin

(74) *Attorney, Agent, or Firm* — KA Filing LLC; Wayne V. Harper; Cynthia Flanigan

(57) **CLAIM**

I claim the ornamental design for a folding wagon, as shown and described.

**DESCRIPTION**

FIG. 1 is a Perspective view of a folding wagon showing my new design;

FIG. 2 is a Front view thereof;

FIG. 3 is a Back view thereof;

FIG. 4 is a Right-side view thereof;

FIG. 5 is a Left-side view thereof;

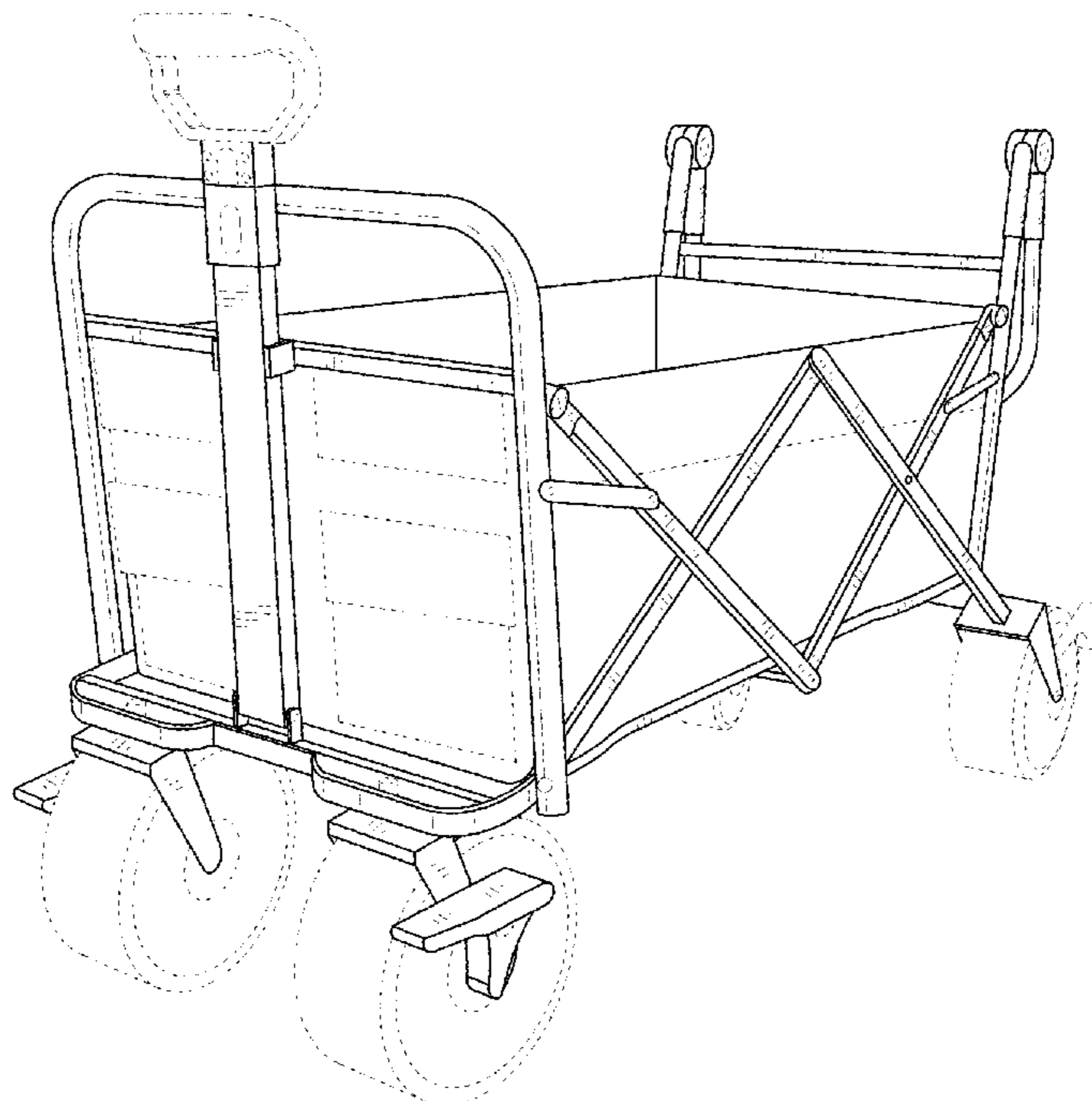
FIG. 6 is a Top view thereof;

FIG. 7 is a Bottom view thereof; and,

FIG. 8 is perspective view of the folding wagon in a collapsed configuration.

The broken lines are for the purpose of illustrating portions of the article that form no part of the claim.

**1 Claim, 8 Drawing Sheets**



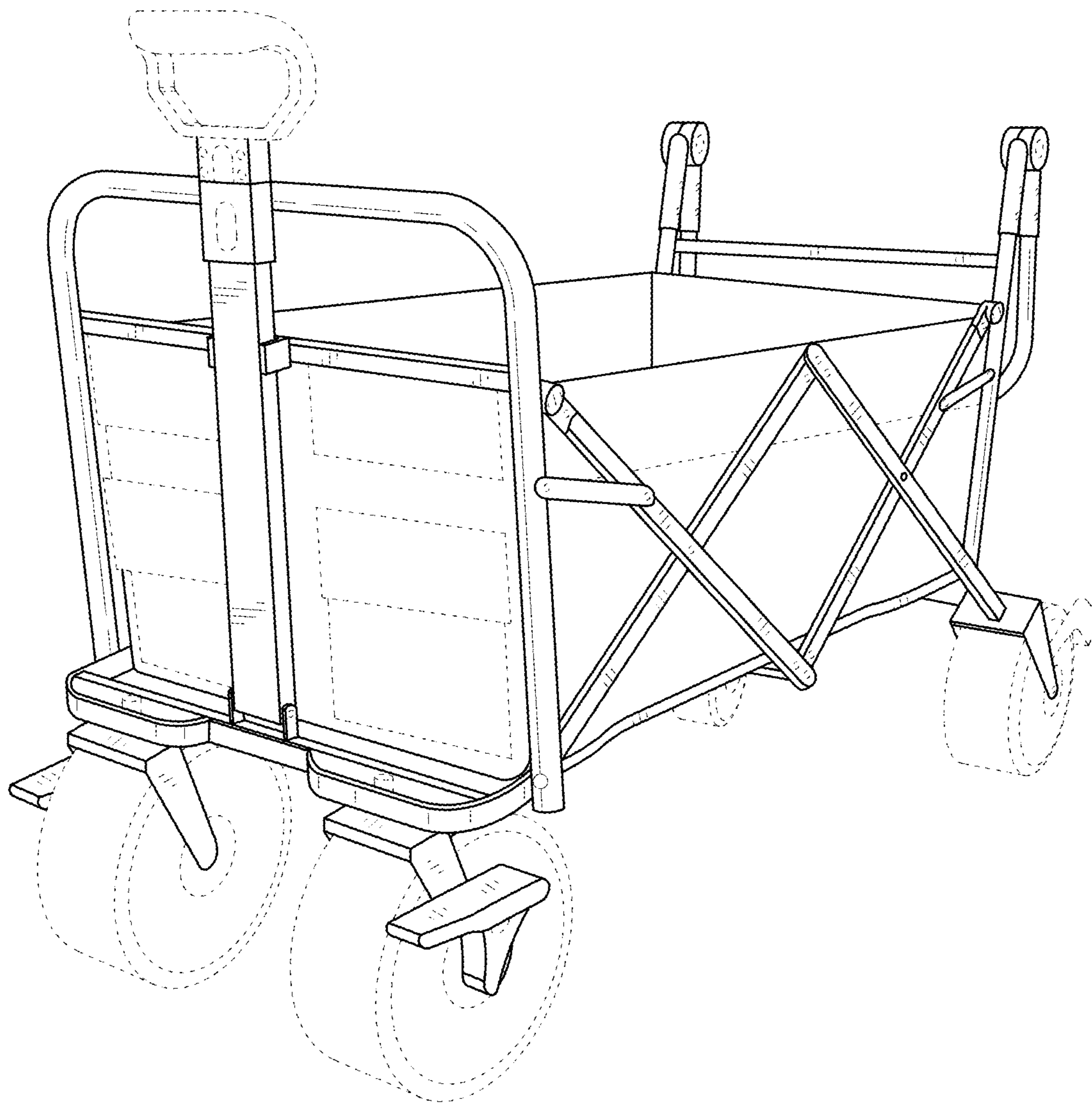


FIG. 1

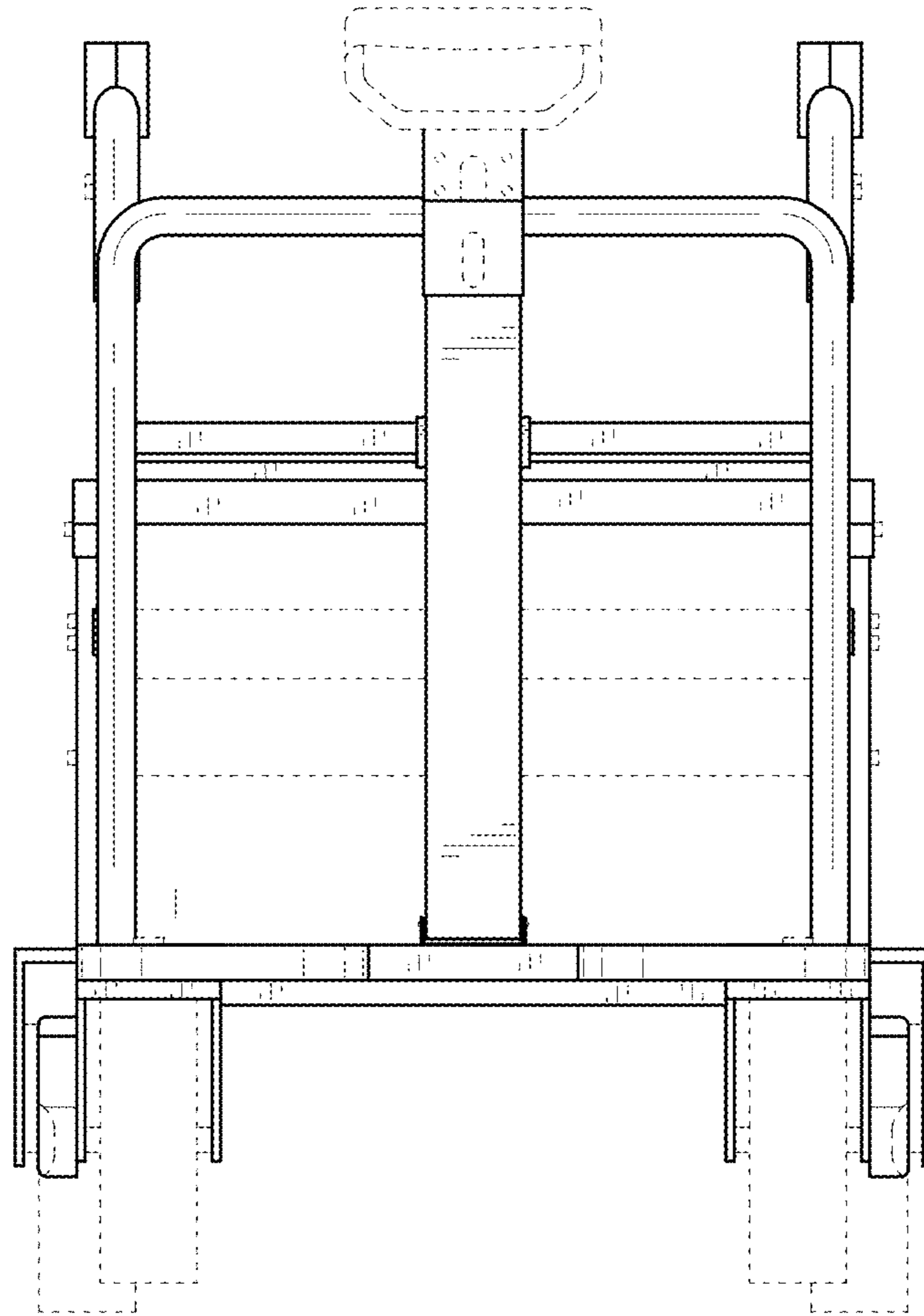


FIG. 2

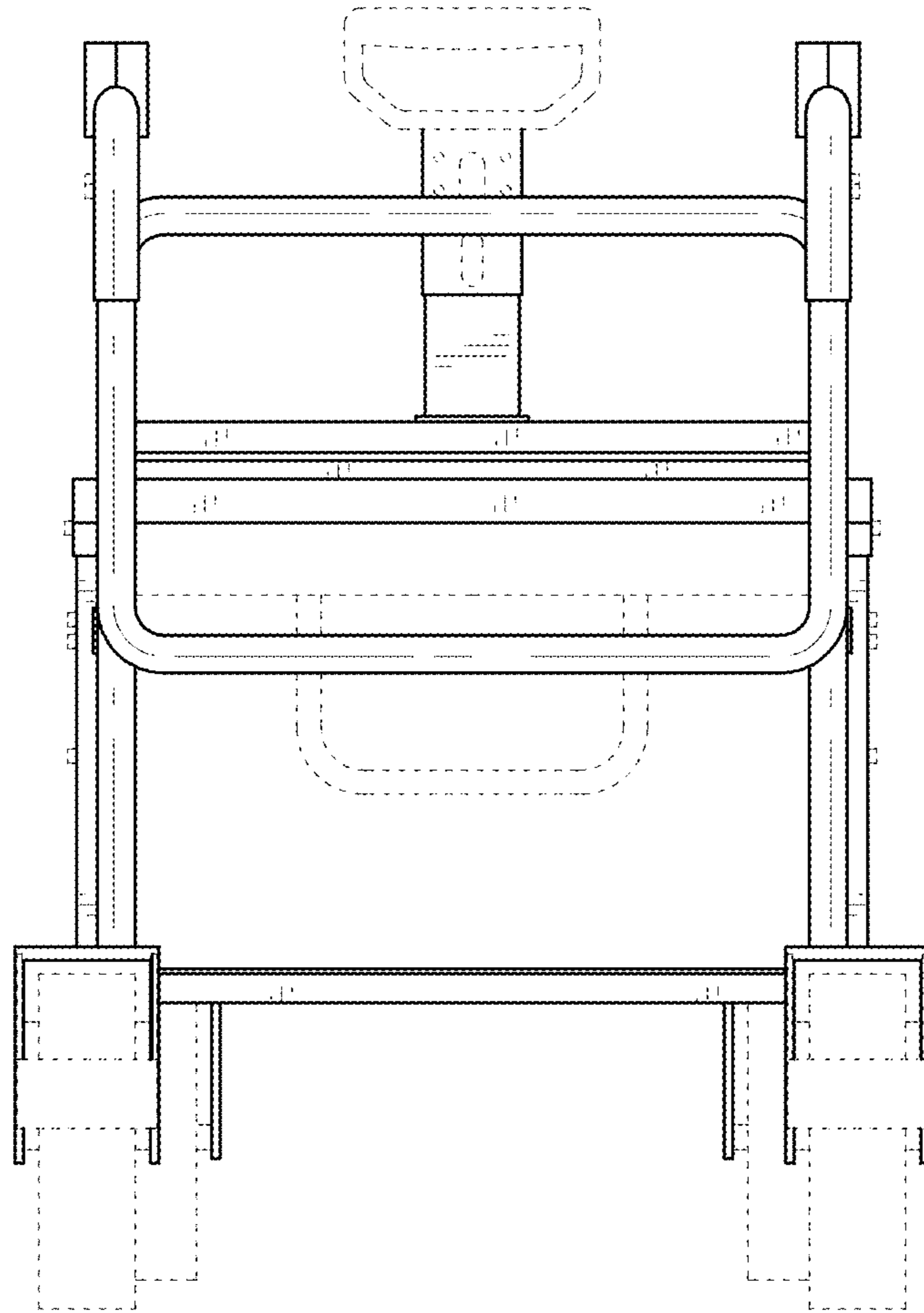


FIG. 3

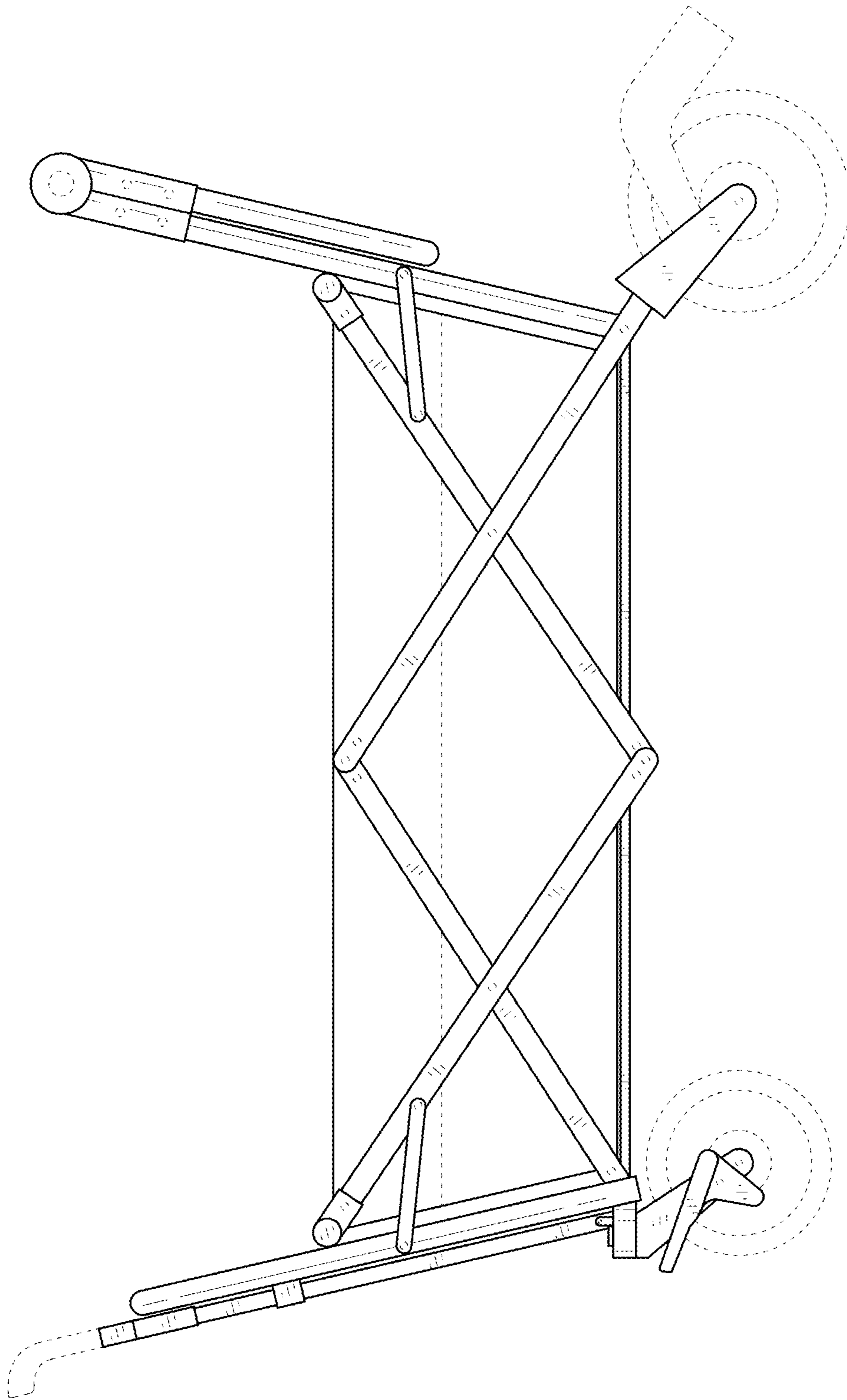


FIG. 4



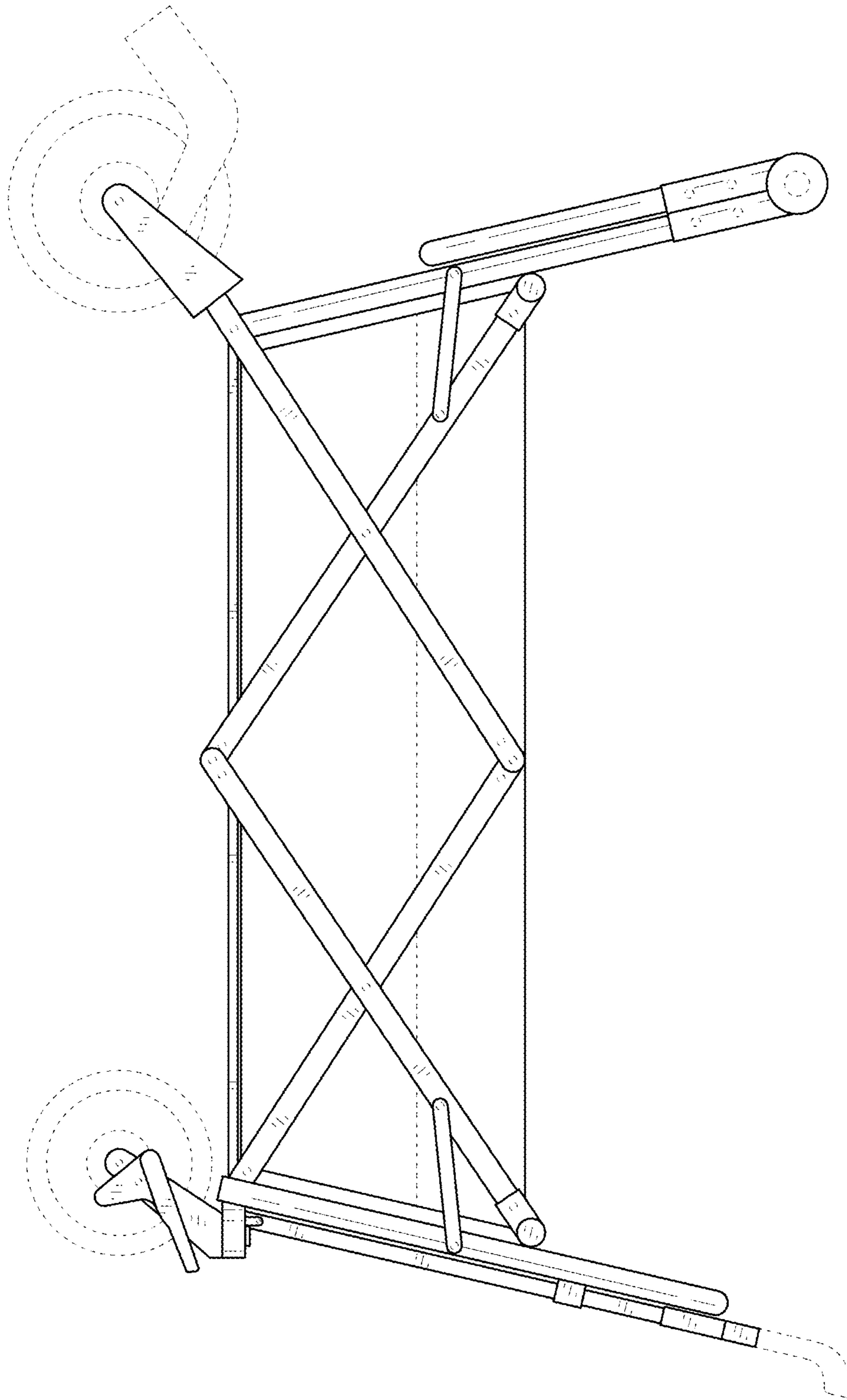


FIG. 5

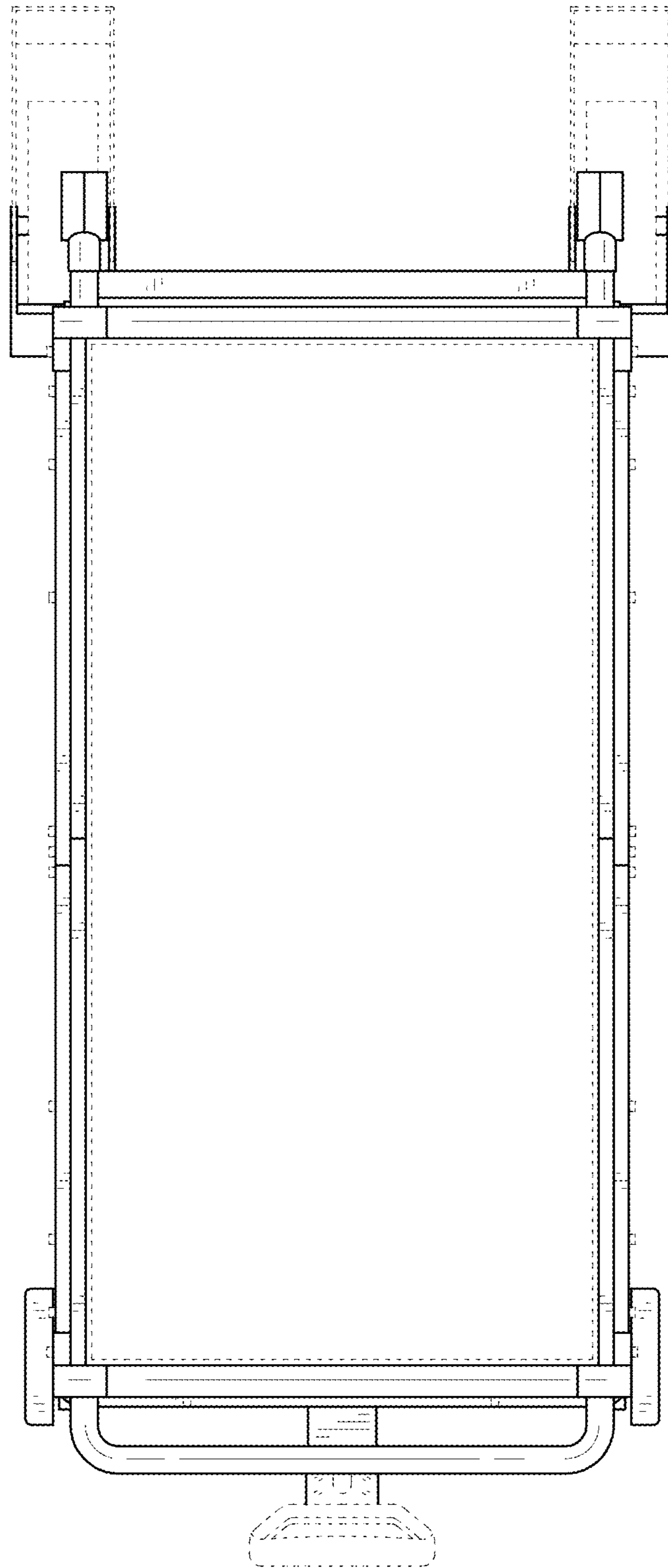


FIG. 6

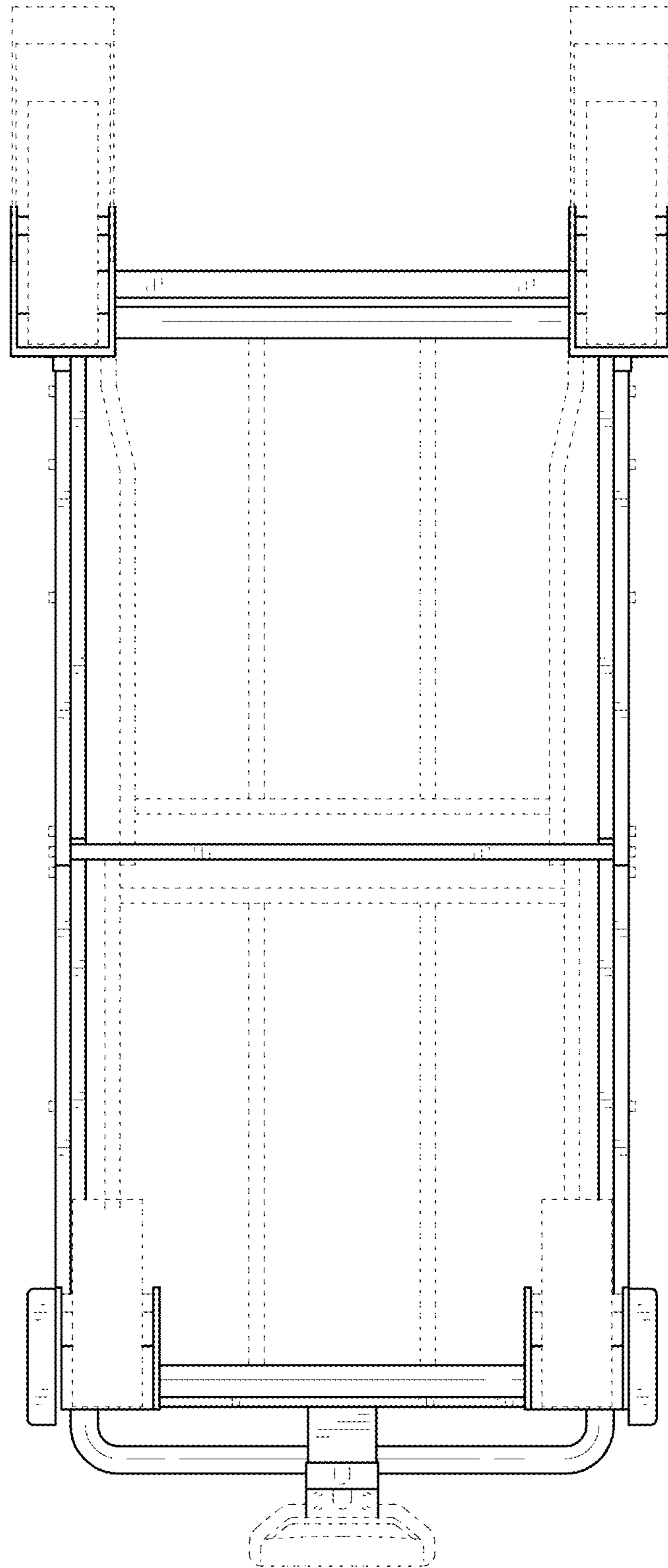


FIG. 7



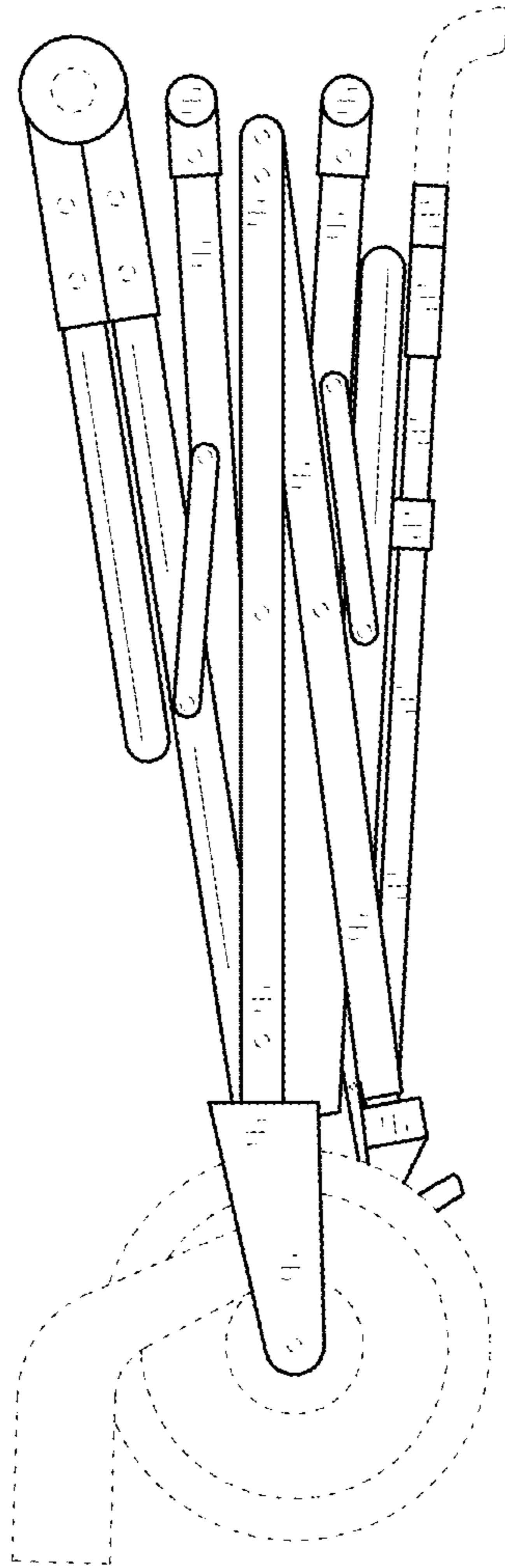


FIG. 8