



US00D893636S

(12) **United States Design Patent** (10) **Patent No.:** **US D893,636 S**
Forte et al. (45) **Date of Patent:** **** Aug. 18, 2020**

(54) **SCOOTER**

(71) Applicant: **ELDOR CORPORATION S.P.A.**,
Orsenigo (Como) (IT)
(72) Inventors: **Pasquale Forte**, Orsenigo (IT); **Andrea Tamburini**, Orsenigo (IT)

(73) Assignee: **ELDOR CORPORATION S.P.A.** (IT)

(**) Term: **15 Years**

(21) Appl. No.: **35/506,673**

(22) Filed: **Sep. 13, 2018**

(80) **Hague Agreement Data**

Int. Filing Date: **Sep. 13, 2018**

Int. Reg. No.: **DM/200655**

Int. Reg. Date: **Sep. 13, 2018**

Int. Reg. Pub. Date: **Apr. 26, 2019**

(30) **Foreign Application Priority Data**

Mar. 14, 2018 (EM) 4756518

(51) **LOC (12) Cl.** **21-01**

(52) **U.S. Cl.**
USPC **D21/423**

(58) **Field of Classification Search**

USPC D12/107, 109, 110, 111, 112, 113;
D21/419, 423, 563, 760, 763, 764, 765,
D21/771, 779

CPC ... B62K 9/00; B62K 3/00; B62K 3/02; B62K
3/04; B62K 3/06; B62K 3/08; B62K
3/10; B62K 11/00; B62K 11/007; B62B
7/00; B62B 7/006; B62B 7/04; B62B
7/06; B62B 7/10; B62B 7/14; B62B
7/145; B62D 51/00; B62D 51/001; B62D
51/02; B62D 61/00

See application file for complete search history.

(56) **References Cited**

U.S. PATENT DOCUMENTS

D221,965 S *	9/1971	La Jeunesse	D21/423
D292,221 S *	10/1987	Mueller	D21/423
D656,998 S *	4/2012	Wiggins	D21/423
D692,963 S *	11/2013	Radtke	D21/423
D761,919 S *	7/2016	Peplowski	D21/423
D772,990 S *	11/2016	Allais	D21/423
D815,215 S *	4/2018	Desberg	D21/423
D827,036 S *	8/2018	Sebban	D21/423
D829,826 S *	10/2018	Liu	D21/423
D831,123 S *	10/2018	Porteiro	D21/423
D837,303 S *	1/2019	Desberg	D21/423
D839,358 S *	1/2019	Cao	D21/423
D846,654 S *	4/2019	Van Eyndhoven	D21/423
D849,153 S *	5/2019	Zhang	D21/423
D855,115 S *	7/2019	Yan	D21/423
D858,646 S *	9/2019	Yang	D21/423
D858,647 S *	9/2019	Liu	D21/423

* cited by examiner

Primary Examiner — George D. Kirschbaum

Assistant Examiner — Joseph J Kukella

(74) *Attorney, Agent, or Firm* — Shuttleworth & Ingersoll, PLC; Timothy J. Klima

(57) **CLAIM**

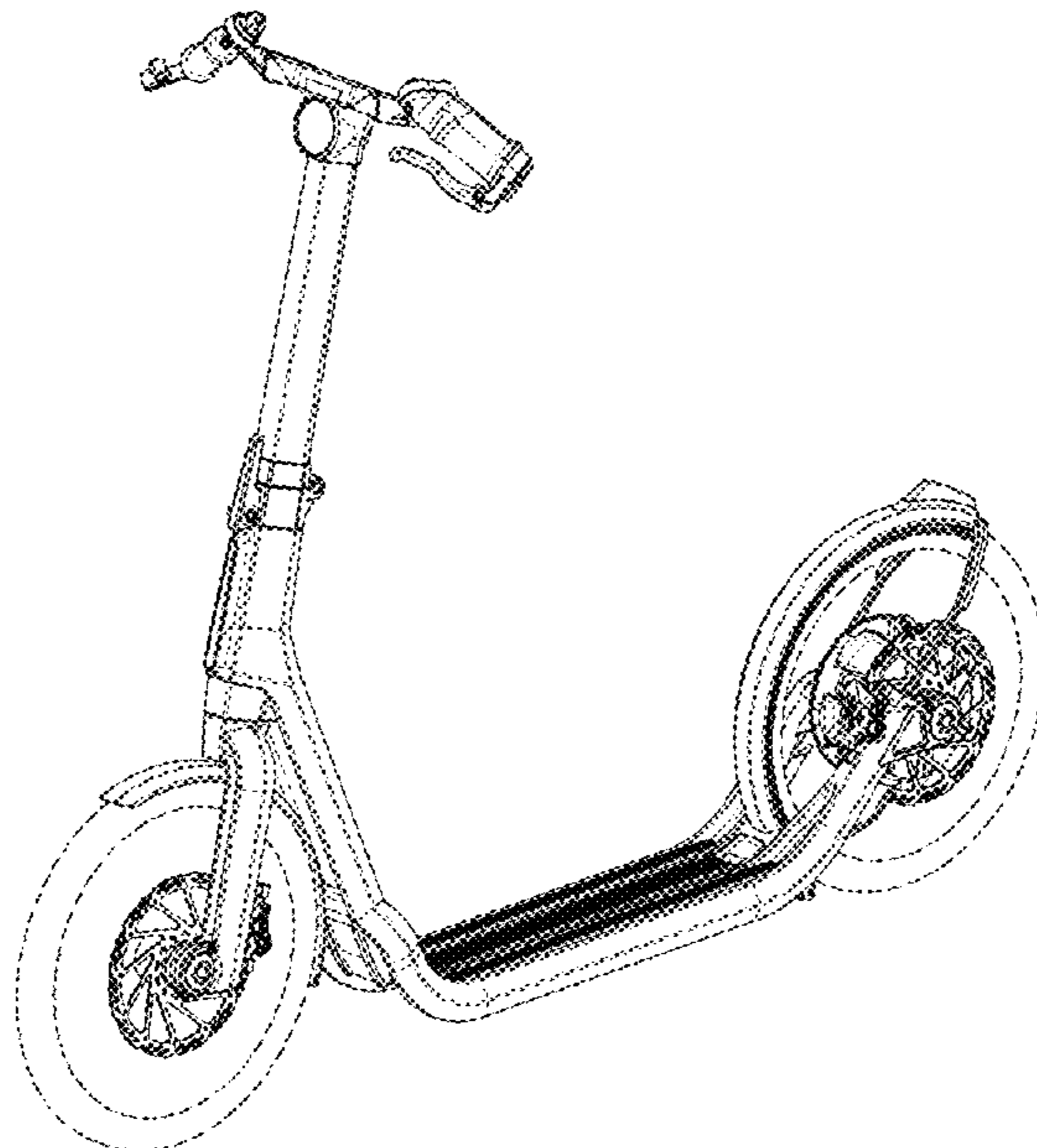
The ornamental design for a scooter, as shown and described.

DESCRIPTION

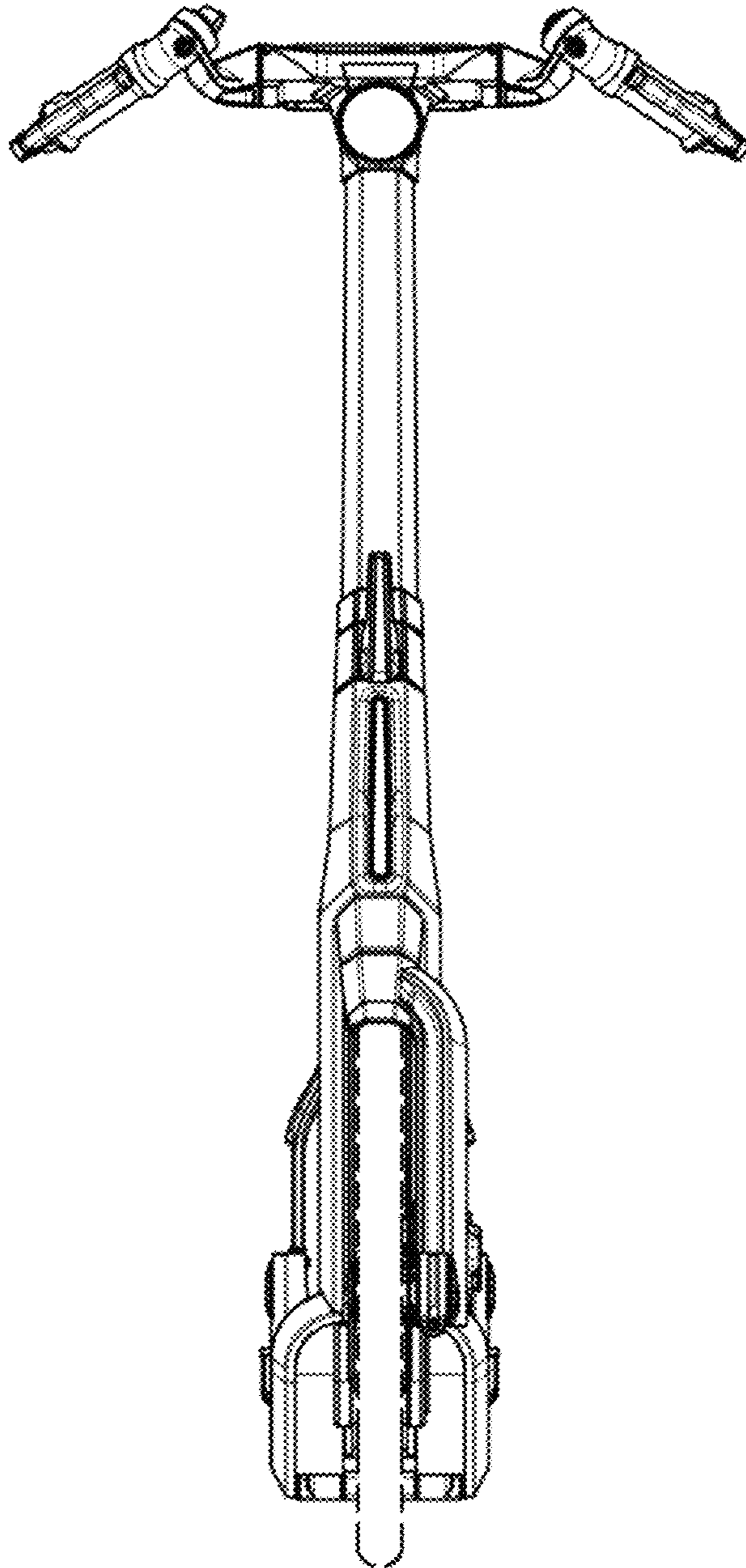
- 2.1 : Front
- 2.2 : Top
- 2.3 : Bottom
- 2.4 : Rear
- 2.5 : Side
- 2.6 : Side
- 2.7 : Perspective

In the drawings, the broken lines depict portions of the scooter that form no part of the claimed design.

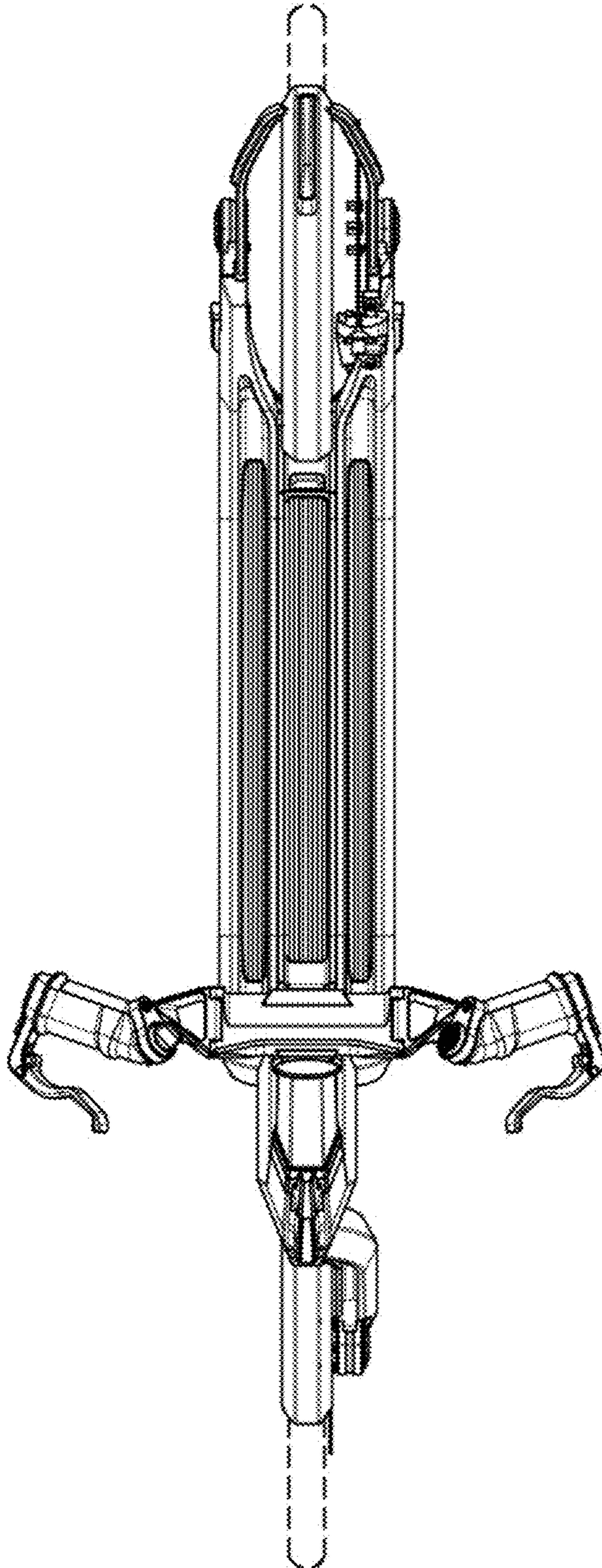
1 Claim, 7 Drawing Sheets



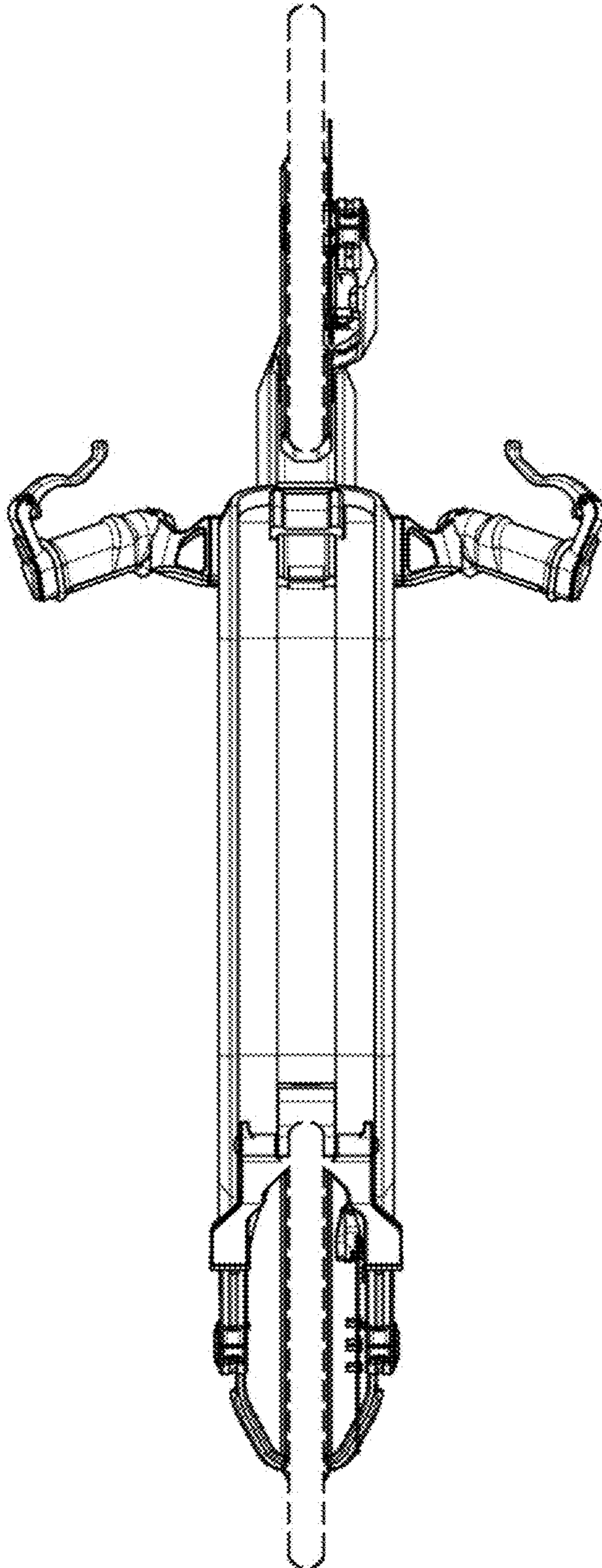
2.1



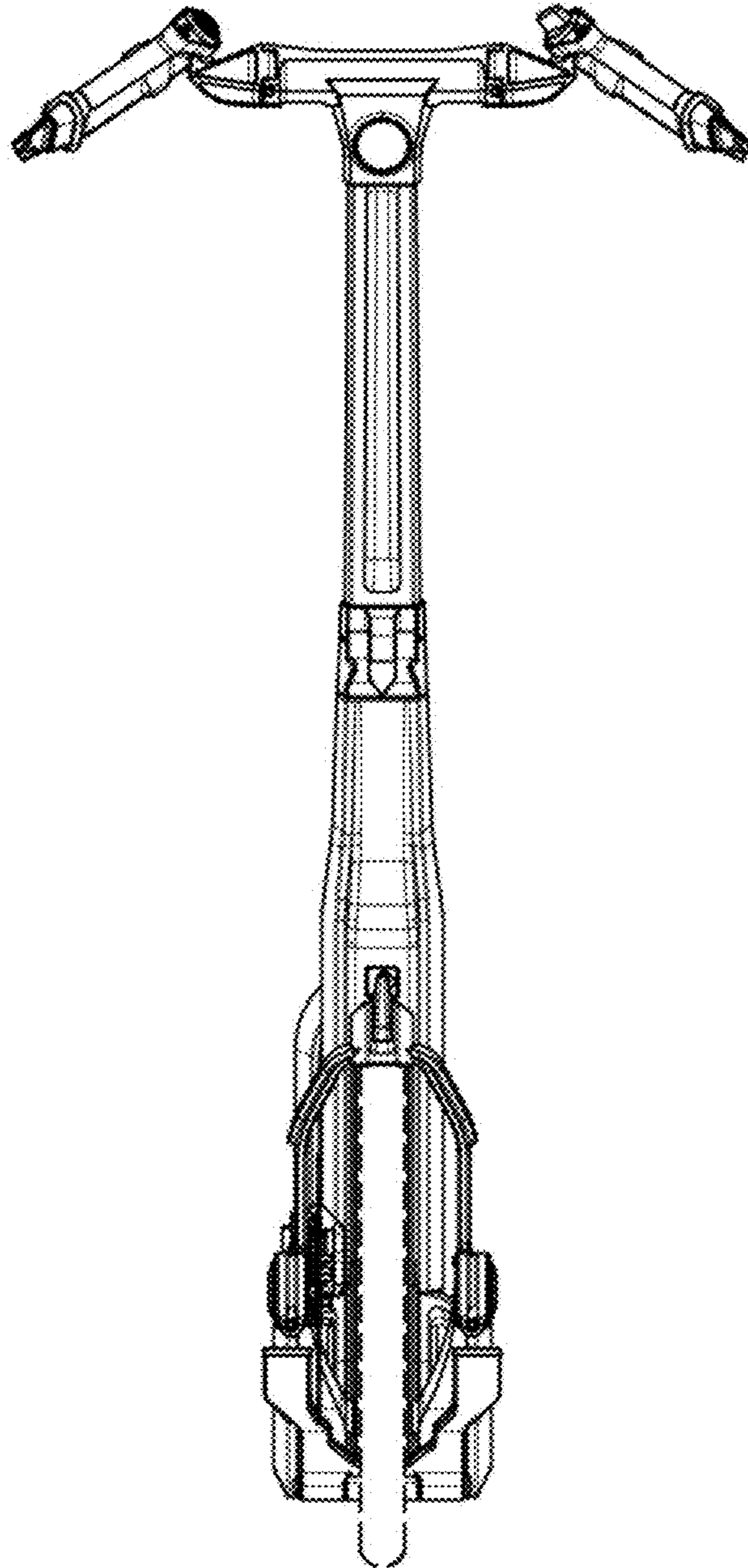
2.2



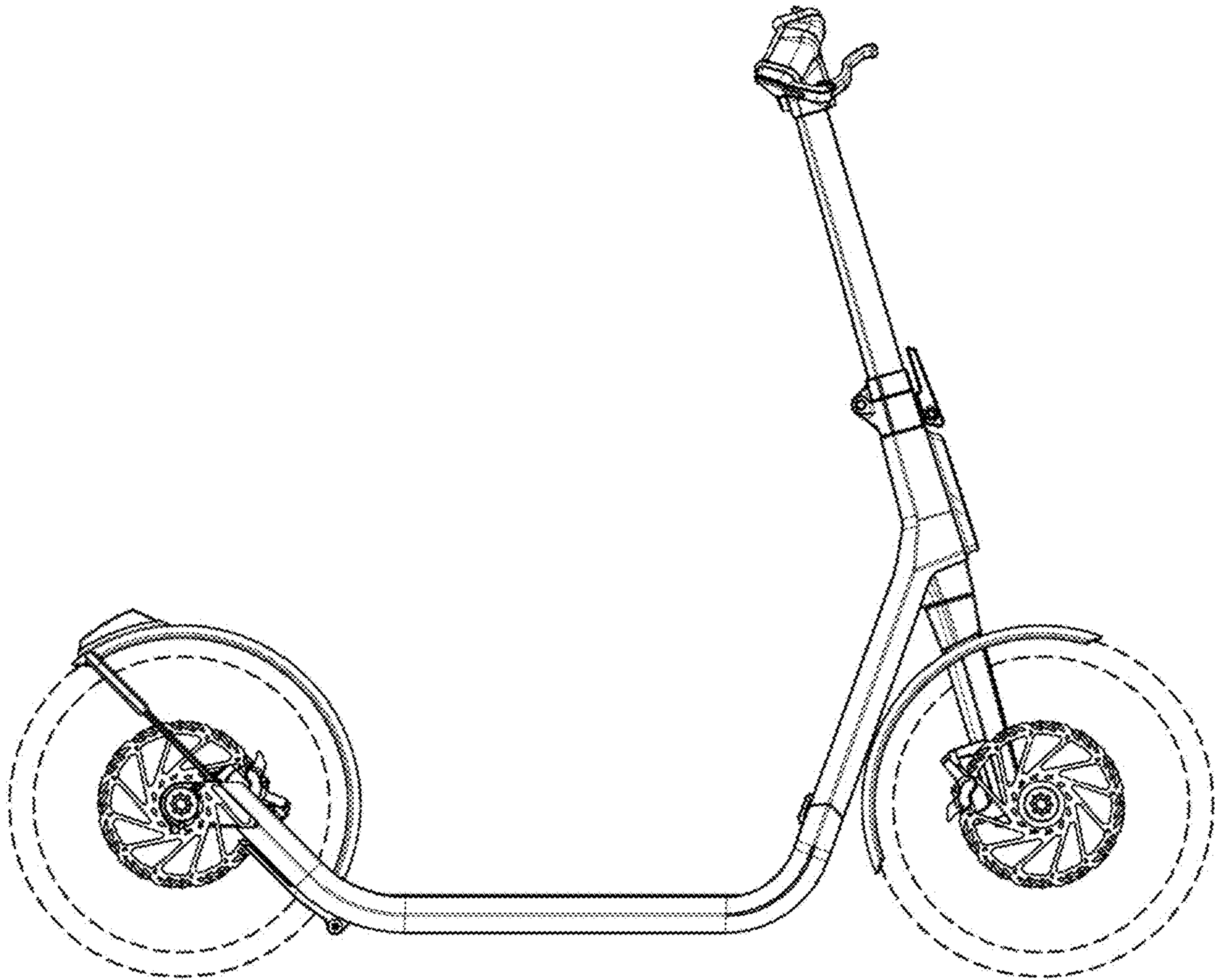
2.3



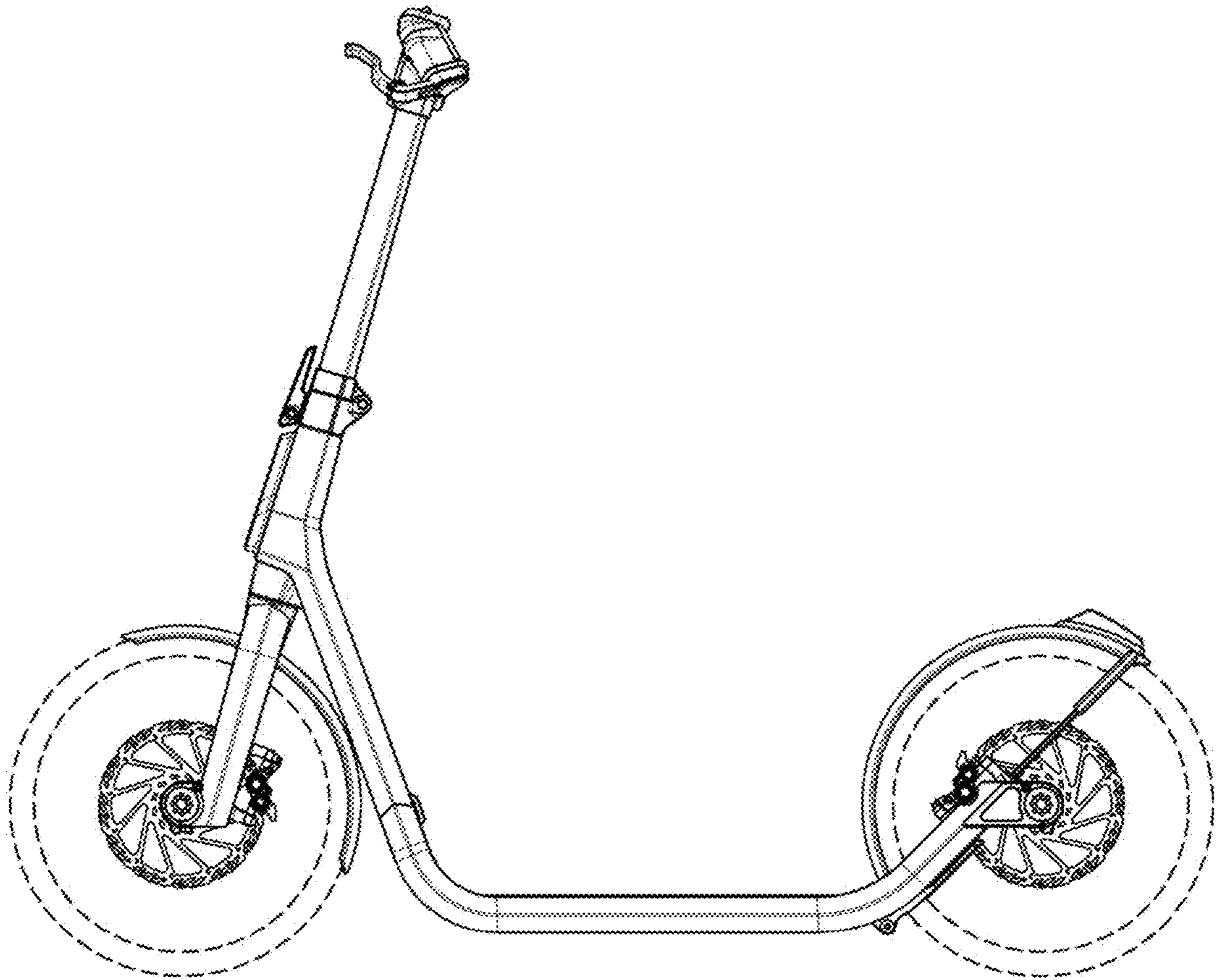
2.4



2.5



2.6



2.7

