



US00D893635S

(12) **United States Design Patent**
Henkin et al.

(10) **Patent No.:** **US D893,635 S**
(45) **Date of Patent:** **** Aug. 18, 2020**

- (54) **MAGNETIC TOY**
- (71) Applicant: **GYMWORLD INC.**, Seoul (KR)
- (72) Inventors: **Roger Henry Henkin**, West Bloomfield, MI (US); **Sho Ubukata**, Nagoya (JP)
- (**) Term: **15 Years**
- (21) Appl. No.: **29/626,961**
- (22) Filed: **Nov. 21, 2017**

4,925,338 A 5/1990 Kapusta
 D313,436 S 1/1991 Erickson
 4,984,798 A * 1/1991 Silberstein A63F 9/1044
 206/315.1
 5,021,021 A 6/1991 Ballard
 5,183,430 A 2/1993 Swann
 (Continued)

FOREIGN PATENT DOCUMENTS

CA 2923882 A1 3/2015
 DE 3910304 A1 10/1990
 (Continued)

OTHER PUBLICATIONS

Final Office Action dated Feb. 22, 2018 by the U.S. Patent and Trademark Office for U.S. Appl. No. 29/581,576, filed Oct. 20, 2016 (Inventor—Henkin et al.; Applicant—Gymworld, Inc.;) (6 pages).
 (Continued)

Primary Examiner — Catherine A Tuttle
 (74) *Attorney, Agent, or Firm* — Ballard Spahr LLP

(57) **CLAIM**

The ornamental design for a magnetic toy, as shown and described.

DESCRIPTION

FIG. 1 is a front perspective view of a magnetic toy showing our new design;
 FIG. 2 is a front view of the magnetic toy shown in FIG. 1;
 FIG. 3 is a rear view thereof;
 FIGS. 4-7 are side views thereof; and,
 FIG. 8 is a cross sectional view taken along line 8-8 of FIG. 2.
 The broken lines are included for the purpose of illustrating the portions of the magnetic toy that form no part of the claimed design.

1 Claim, 4 Drawing Sheets

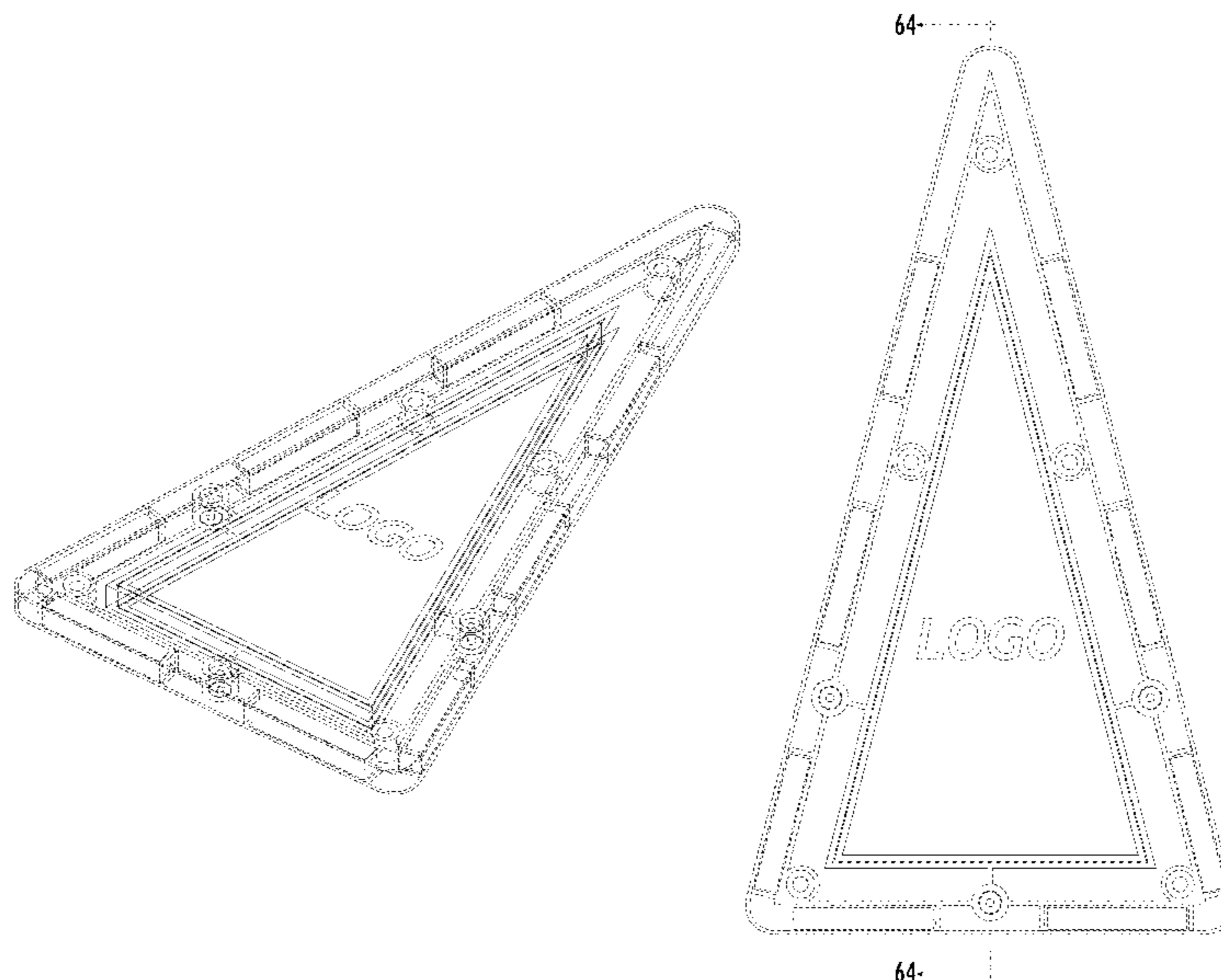
Related U.S. Application Data

- (62) Division of application No. 29/581,583, filed on Oct. 20, 2016, now Pat. No. Des. 823,946, which is a division of application No. 29/503,986, filed on Oct. 1, 2014, now Pat. No. Des. 771,752.
- (51) **LOC (12) Cl.** **21-01**
- (52) **U.S. Cl.**
USPC **D21/404**
- (58) **Field of Classification Search**
USPC D21/311-323, 398, 404, 478, 484-505;
D9/418; D6/314; D13/183; 446/92,
446/129-139
CPC A63H 33/04; A63H 33/046; A63F
2009/1033
See application file for complete search history.

(56) **References Cited**

U.S. PATENT DOCUMENTS

1,403,196 A * 1/1922 Rasely A63H 33/04
446/85
 D141,391 S 5/1945 Wilson
 3,585,735 A 6/1971 Miller
 D226,120 S 1/1973 Ogsbury et al.
 3,998,004 A 12/1976 Ehrlich
 4,077,153 A * 3/1978 Dunbar A63H 33/04
434/403



(56)

References Cited

U.S. PATENT DOCUMENTS

5,458,522	A *	10/1995	Brooks, III	A63H 33/048 446/85
5,620,325	A	4/1997	Glick		
D384,995	S	10/1997	Munir		
6,431,936	B1	8/2002	Kiribuchi		
D503,954	S	4/2005	Balanchi		
D513,628	S	1/2006	Andersen		
7,154,363	B2	12/2006	Hunts		
D614,250	S	4/2010	Frederiksen		
D631,104	S	1/2011	With		
D632,346	S	2/2011	Hardstaff		
D693,320	S	11/2013	Zelazowski		
8,668,542	B2	3/2014	Bruzgul		
9,314,707	B2	4/2016	Ornstein et al.		
D771,752	S	11/2016	Henkin et al.		
D813,955	S *	3/2018	Henkin	D21/404
D829,825	S *	10/2018	Henkin	D21/404
2006/0240737	A1	2/2006	Rabbani et al.		
2010/0197148	A1	8/2010	Rudisill et al.		
2013/0267145	A1	10/2013	Rosen et al.		
2014/0179194	A1	6/2014	Fein et al.		
2014/0227934	A1	8/2014	Rudisill		
2014/0302741	A1	10/2014	Whittaker		
2015/0072587	A1	3/2015	Ornstein et al.		
2015/0104993	A1	4/2015	Kennedy		
2016/0184727	A1	6/2016	Ornstein et al.		
2017/0065899	A1	3/2017	Moskowitz		

FOREIGN PATENT DOCUMENTS

DE	9311089	U1 *	9/1993	A63H 33/04
EP	2055363	A1	5/2009		
EP	2745899	A1	6/2014		
JP	2002-159761	A	6/2002		
JP	2003-190663	A	7/2003		

OTHER PUBLICATIONS

Response to Final Office Action and Terminal Disclaimer filed on Apr. 23, 2018 with the U.S. Patent and Trademark Office for U.S. Appl. No. 29/581,576, filed Oct. 20, 2016 (Inventor—Henkin et al.; Applicant—Gymworld, Inc.) (7 pages).

Terminal Disclaimer Approval dated Apr. 23, 2018 by the U.S. Patent and Trademark Office for U.S. Appl. No. 29/581,576, filed Oct. 20, 2016 (Inventor—Henkin et al.; Applicant—Gymworld, Inc.) (1 pages).

Notice of Allowance dated May 18, 2018 by the U.S. Patent and Trademark Office for U.S. Appl. No. 29/581,576, which was filed on Oct. 20, 2016 (Inventor—Henkin et al.; Applicant—Gymworld, Inc.) (7 pages).

Amendment After Allowance filed on Dec. 20, 2017 with the U.S. Patent and Trademark Office for Design U.S. Appl. No. 29/581,567, filed Oct. 20, 2016 (Inventor—Henkin et al.; Applicant—Gymworld, Inc.) (9 pages).

Response to Amendment dated Jan. 9, 2018 by the U.S. Patent and Trademark Office for Design U.S. Appl. No. 29/581,567, filed Oct. 20, 2016 (Inventor—Henkin et al.; Applicant—Gymworld, Inc.) (2 pages).

Issue Notification dated Mar. 7, 2018 by the U.S. Patent and Trademark Office for U.S. Appl. No. 29/581,567, filed Oct. 20, 2016 (Inventor—Henkin et al.; Applicant—Gymworld, Inc.) (1 page).

Notice of Allowance dated Oct. 26, 2017 by the U.S. Patent and Trademark Office for U.S. Appl. No. 29/581,583, filed Oct. 20, 2016 (Inventor—Henkin et al.; Applicant—Gymworld, Inc.) (5 pages).

Notice of Allowance dated Jan. 10, 2018 by the U.S. Patent and Trademark Office for U.S. Appl. No. 29/581,583, Oct. 20, 2016 (Inventor—Henkin et al.; Applicant—Gymworld, Inc.) (2 pages).

Amendment After Allowance filed on Jan. 26, 2018 with the U.S. Patent and Trademark Office for U.S. Appl. No. 29/581,583, filed Oct. 20, 2016 (Inventor—Henkin et al.; Applicant—Gymworld, Inc.) (9 pages).

Response to Amendment Under Rule 312 dated Mar. 1, 2018 by the U.S. Patent and Trademark Office for U.S. Appl. No. 29/581,583, filed Oct. 20, 2016 (Inventor—Henkin et al.; Applicant—Gymworld, Inc.) (4 pages).

Supplemental Amendment After Allowance filed on Mar. 29, 2018 by the U.S. Patent and Trademark Office for U.S. Appl. No. 29/581,583, filed Oct. 20, 2016 (Inventor—Henkin et al.; Applicant—Gymworld, Inc.) (7 pages).

Preliminary Amendment filed on Jan. 25, 2018 with the U.S. Patent and Trademark Office for U.S. Appl. No. 29/634,942, which was filed on Jan. 25, 2018 (Inventor—Henkin et al.; Applicant—Gymworld, Inc.) (9 pages).

“Metro Mags Clear Colors 60 Piece Set,” published prior to Oct. 1, 2014 (exact publication date unknown). Amazon.com, Inc. [Retrieved on Oct. 2, 2017]. Retrieved from the Internet: <URL: https://www.amazon.com/Metro-Mags-Clear-Colors-Piece/dp/B00A29T6F4/ref=pd_rhf_s> (6 pages).

Restriction Requirement dated Jan. 15, 2016 by the U.S. Patent and Trademark Office for Design U.S. Appl. No. 29/503,986, filed Oct. 1, 2014 and issued as D771,752 dated Nov. 15, 2016 (Inventor—Henkin et al.; Applicant—RUX International Co., Ltd.) (5 pages).

Response to Restriction Requirement and Request for continued Examination filed Jun. 15, 2016 with the U.S. Patent and Trademark Office for Design U.S. Appl. No. 29/503,986, filed Oct. 1, 2014 and issued as D771,752 dated Nov. 15, 2016 (Inventor—Henkin et al.; Applicant—RUX International Co., Ltd.) (6 pages).

Notice of Allowance dated Jul. 8, 2016 by the U.S. Patent and Trademark Office for Design U.S. Appl. No. 29/503,986, filed Oct. 1, 2014 and issued as D771,752 dated Nov. 15, 2016 (Inventor—Henkin et al.; Applicant—RUX International Co., Ltd.) (8 pages).

Issue Notification dated Oct. 26, 2016 by the U.S. Patent and Trademark Office for Design U.S. Appl. No. 29/503,986, filed Oct. 1, 2014 and issued as D771,752 dated Nov. 15, 2016 (Inventor—Henkin et al.; Applicant—RUX International Co., Ltd.) (1 page).

Preliminary Amendment dated Oct. 20, 2016 with the U.S. Patent and Trademark Office for Design U.S. Appl. No. 29/581,576, filed Oct. 20, 2016 (Inventor—Henkin et al.; Applicant—Gymworld, Inc.) (12 pages).

Restriction Requirement dated Mar. 17, 2017 by the U.S. Patent and Trademark Office for Design U.S. Appl. No. 29/581,576, filed Oct. 20, 2016 (Inventor—Henkin et al.; Applicant—Gymworld, Inc.) (5 pages).

Response to Restriction Requirement filed Jul. 17, 2017 with the U.S. Patent and Trademark Office for Design U.S. Appl. No. 29/581,576, filed Oct. 20, 2016 (Inventor—Henkin et al.; Applicant—Gymworld, Inc.) (7 pages).

Non-Final Office Action dated Aug. 24, 2017 by the U.S. Patent and Trademark Office for U.S. Appl. No. 29/581,576, filed Oct. 20, 2017 (Inventor—Henkin et al.; Applicant—Gymworld, Inc.) (7 pages).

Preliminary Amendment filed Oct. 20, 2016 with the U.S. Patent and Trademark Office for Design U.S. Appl. No. 29/581,567, filed Oct. 20, 2016 (Inventor—Henkin et al.; Applicant—Gymworld, Inc.) (12 pages).

Restriction Requirement dated Mar. 16, 2017 by the U.S. Patent and Trademark Office for Design U.S. Appl. No. 29/581,567, filed Oct. 20, 2016 (Inventor—Henkin et al.; Applicant—Gymworld, Inc.) (7 pages).

Response to Restriction Requirement filed Jul. 17, 2017 with the U.S. Patent and Trademark Office for Design U.S. Appl. No. 29/581,567, filed Oct. 20, 2016 (Inventor—Henkin et al.; Applicant—Gymworld, Inc.) (7 pages).

Notice of Allowance dated Oct. 12, 2017 by the U.S. Patent and Trademark Office for Design U.S. Appl. No. 29/581,567, filed Oct. 20, 2016 (Inventor—Henkin et al.; Applicant—Gymworld, Inc.) (19 pages).

Preliminary Amendment dated Oct. 20, 2016 with the U.S. Patent and Trademark Office for Design U.S. Appl. No. 29/581,583, filed Oct. 20, 2016 (Inventor—Henkin et al.; Applicant—Gymworld, Inc.) (12 pages).

Restriction Requirement dated Mar. 17, 2017 by the U.S. Patent and Trademark Office for U.S. Appl. No. 29/581,583, filed on Oct. 20, 2016 (Inventor—Henkin et al.; Applicant—Gymworld, Inc.) (5 pages).

(56)

References Cited

OTHER PUBLICATIONS

Response to Restriction Requirement filed on Jul. 17, 2017 with the U.S. Patent and Trademark Office for U.S. Appl. No. 29/581,583, filed Oct. 20, 2016 (Inventor—Henkin et al.; Applicant—Gymworld, Inc.;) (7 pages).

Notice of Allowance dated Jul. 27, 2017 by the U.S. Patent and Trademark Office for U.S. Appl. No. 29/581,583, filed Oct. 20, 2016 (Inventor—Henkin et al.; Applicant—Gymworld, Inc.;) (10 pages).

Corrected Notice of Allowability dated Oct. 26, 2017 by the U.S. Patent and Trademark Office for Design U.S. Appl. No. 29/581,567, filed Oct. 20, 2016 (Inventor—Henkin et Henkin et al.; Applicant—Gymworld, Inc.;) (15 pages).

Supplemental Notice of Allowability dated Nov. 14, 2017 by the U.S. Patent and Trademark Office for Design U.S. Appl. No. 29/581,567, filed Oct. 20, 2016 (Inventor—Henkin et al.; Applicant—Gymworld, Inc.;) (2 pages).

* cited by examiner

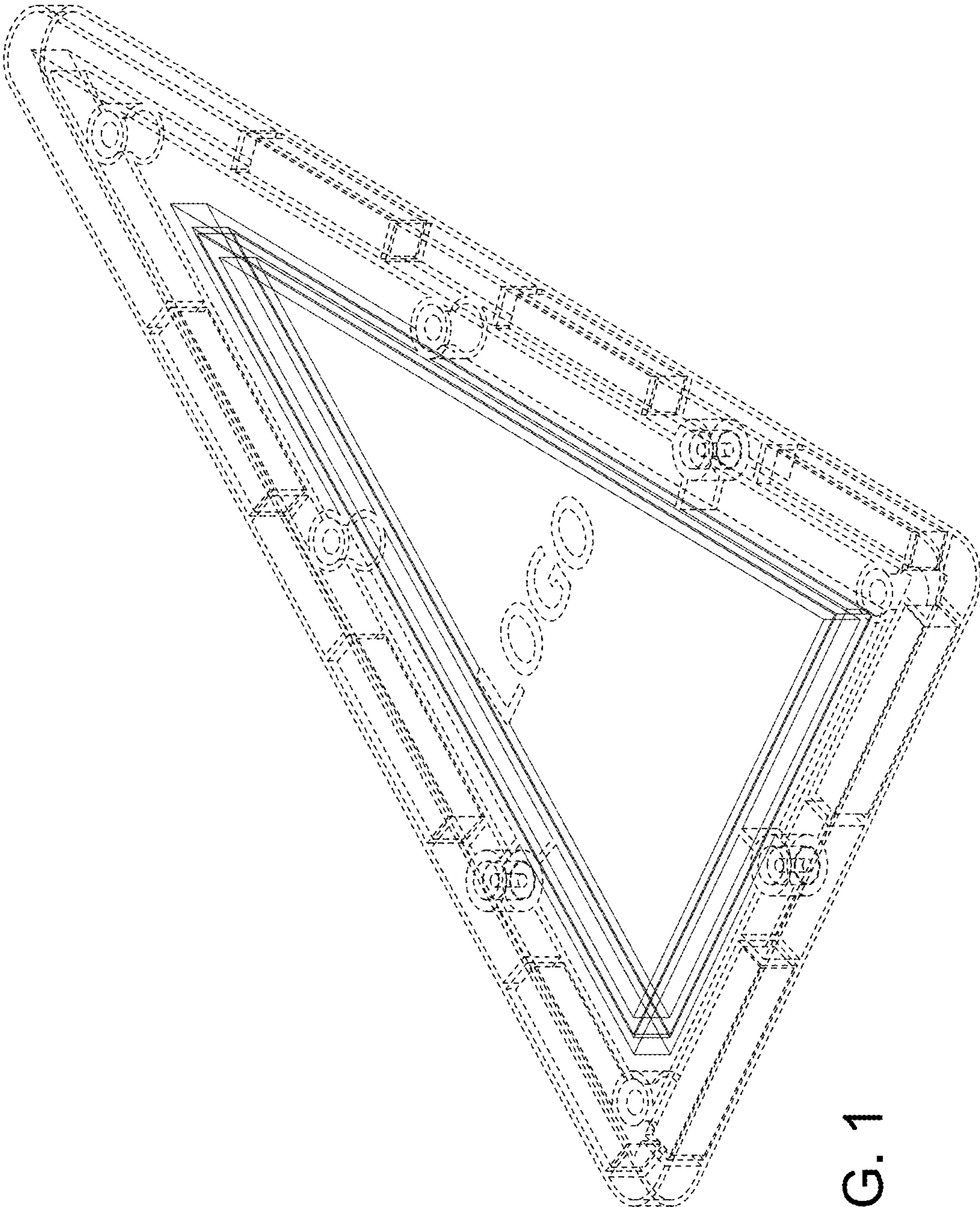


FIG. 1

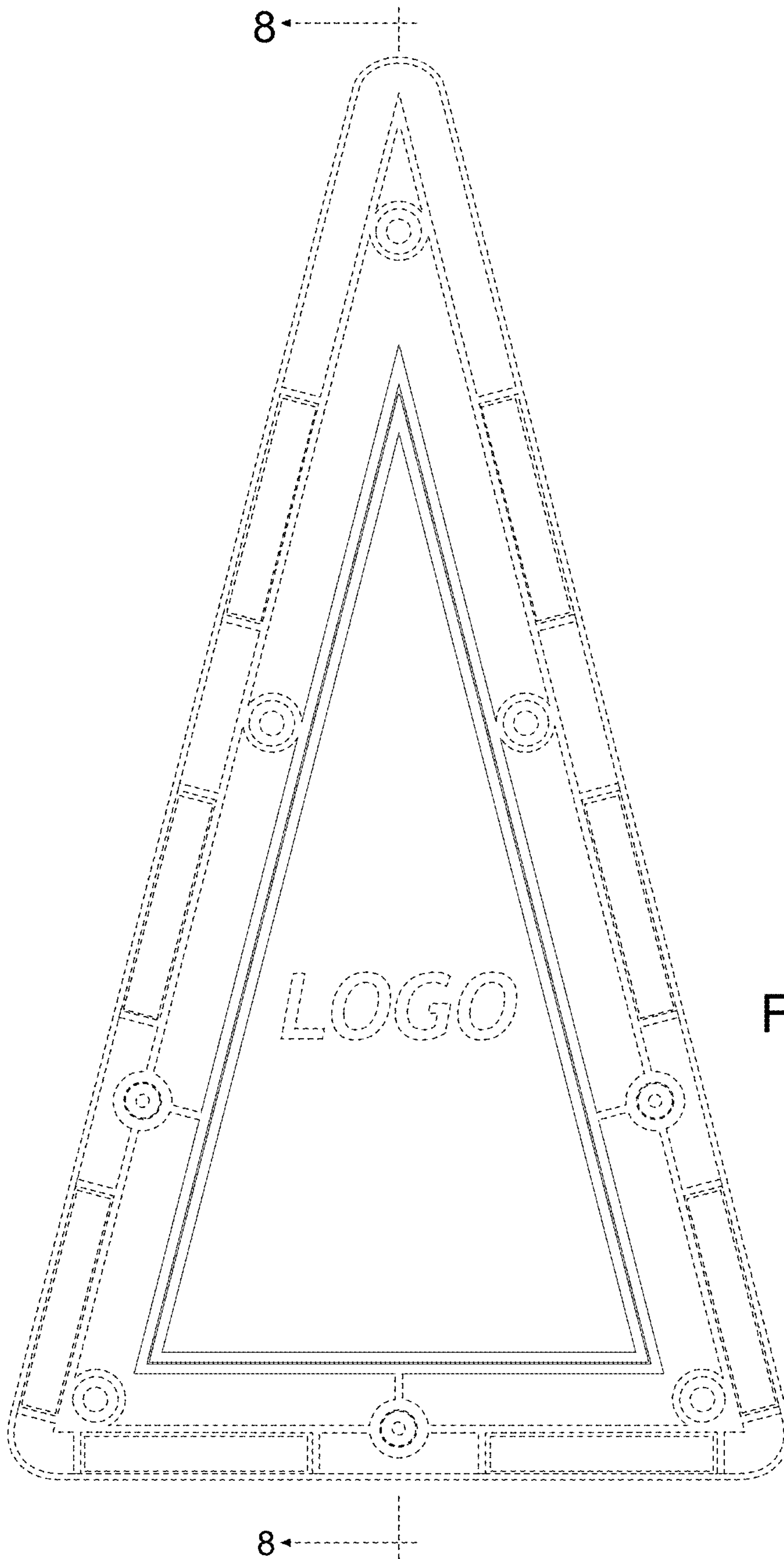


FIG. 2

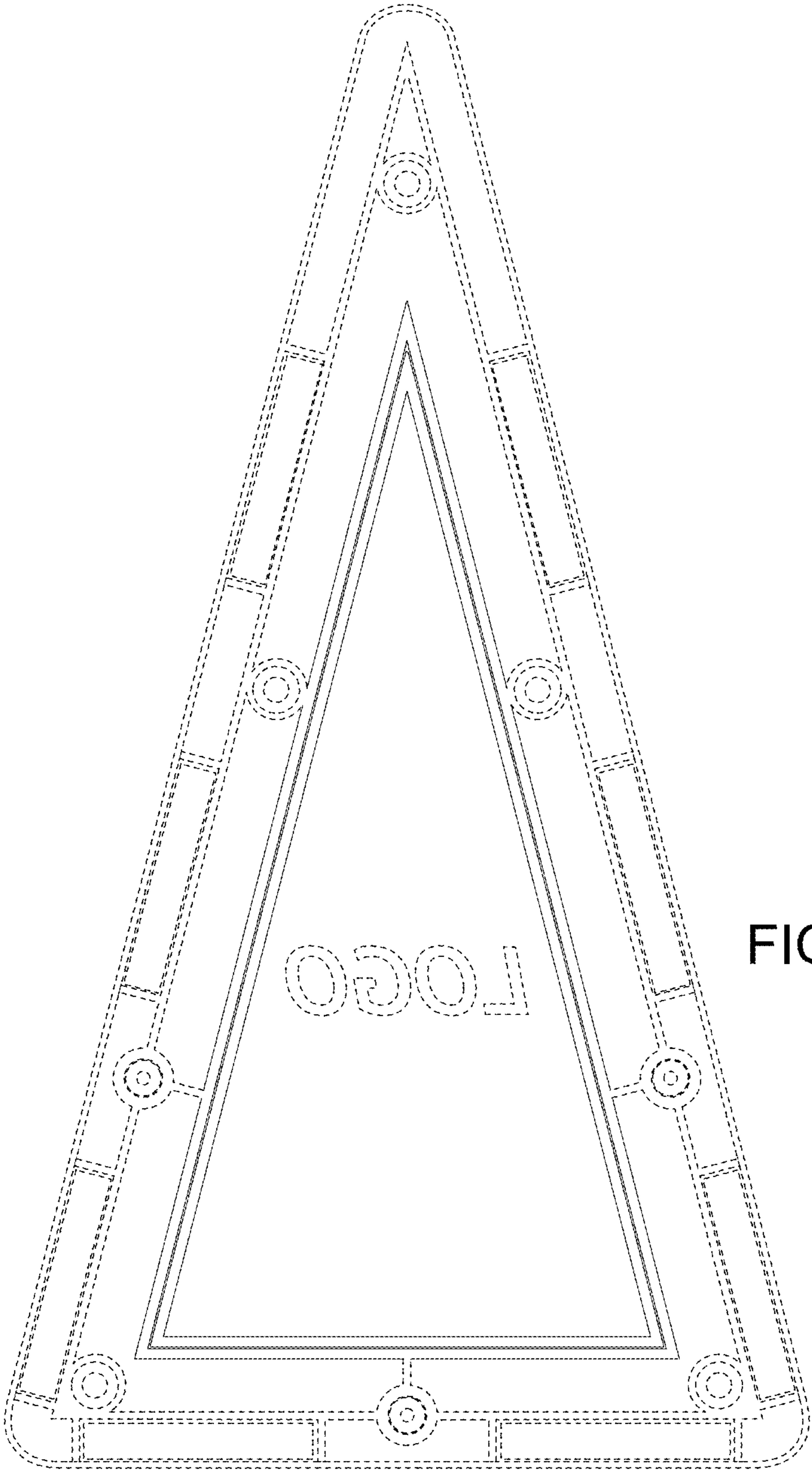


FIG. 3

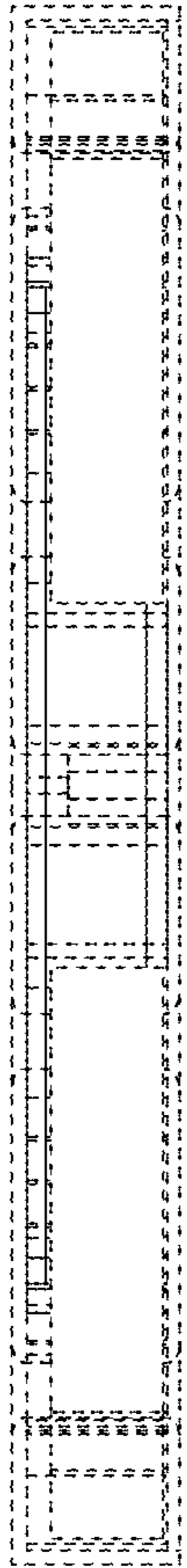


FIG. 4

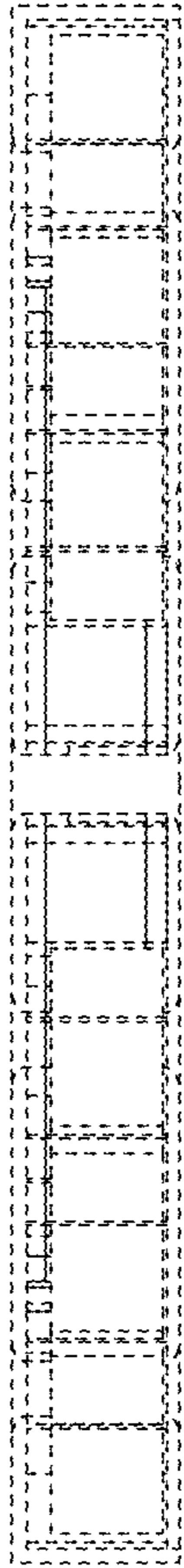


FIG. 5

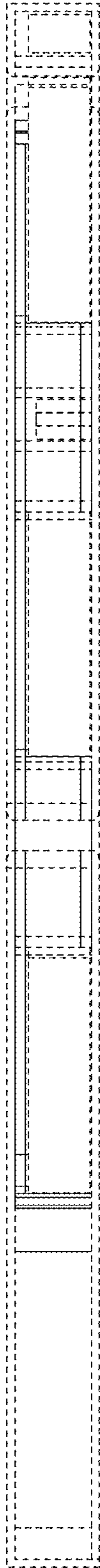


FIG. 6

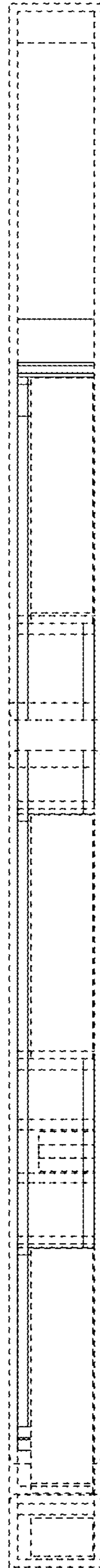


FIG. 7

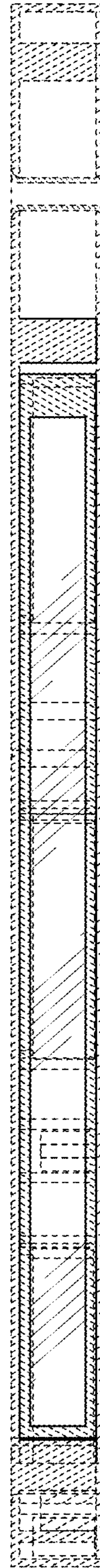


FIG. 8