



US00D893634S

(12) **United States Design Patent**
Zhang

(10) **Patent No.:** **US D893,634 S**

(45) **Date of Patent:** **** Aug. 18, 2020**

(54) **BUBBLE MACHINE**

(71) Applicant: **Honor Metro Limited**, Tsim Sha Tsui,
Kowloon (HK)

(72) Inventor: **Xiaoyi Zhang**, Pasadena, CA (US)

(73) Assignee: **Honor Metro Limited**, Tsim Sha Tsui
(HK)

(**) Term: **15 Years**

(21) Appl. No.: **29/670,500**

(22) Filed: **Nov. 16, 2018**

(51) **LOC (12) Cl.** **21-01**

(52) **U.S. Cl.**
USPC **D21/401**

(58) **Field of Classification Search**
USPC D21/398, 401, 405, 455, 468, 483, 513,
D21/514, 516, 523, 525, 526, 528, 532;
446/15-21, 71, 74, 76, 475, 484, 487,
446/491

CPC A63H 33/28

See application file for complete search history.

(56) **References Cited**

U.S. PATENT DOCUMENTS

| | | | | |
|----------------|---------|--------------|-------|----------------------|
| D186,610 S * | 11/1959 | Allen et al. | | D21/401 |
| D200,286 S * | 2/1965 | Ryan | | D21/528 |
| D203,492 S * | 1/1966 | Nault | | D12/114 |
| 4,044,496 A * | 8/1977 | Jernstrom | | A63H 33/28 446/16 |
| D453,197 S * | 1/2002 | Hornsby | | D21/401 |
| 6,616,498 B1 * | 9/2003 | Thai | | A63H 33/28 446/15 |
| D643,477 S * | 8/2011 | Lo | | D21/401 |
| D716,381 S * | 10/2014 | Lo | | D21/401 |
| D717,880 S * | 11/2014 | Chen | | D21/401 |
| D720,814 S * | 1/2015 | Chen | | D21/401 |
| D790,009 S * | 6/2017 | Lo | | D21/401 |

| | | | | |
|-------------------|---------|---------|-------|----------------------|
| D803,947 S * | 11/2017 | Lo | | D21/401 |
| D807,965 S * | 1/2018 | Lo | | D21/401 |
| D868,899 S * | 12/2019 | Chen | | D21/401 |
| D869,562 S * | 12/2019 | Xu | | D21/401 |
| 2002/0061697 A1 * | 5/2002 | Hornsby | | A63H 33/28 446/15 |
| 2004/0198134 A1 * | 10/2004 | Thai | | A63H 33/28 446/15 |
| 2004/0253899 A1 * | 12/2004 | Thai | | A63H 33/26 446/15 |
| 2009/0149107 A1 * | 6/2009 | Thai | | A63H 33/28 446/15 |
| 2012/0220184 A1 * | 8/2012 | Orem | | A63H 33/28 446/16 |

FOREIGN PATENT DOCUMENTS

EP 2450090 A1 * 5/2012 A63H 33/28

* cited by examiner

Primary Examiner — Catherine A Tuttle

(74) *Attorney, Agent, or Firm* — Belles Katz LLC

(57) **CLAIM**

The ornamental design for a bubble machine, as shown and described.

DESCRIPTION

FIG. 1 is a front perspective view of a bubble machine showing my new design;

FIG. 2 is a front view thereof;

FIG. 3 is a rear view thereof;

FIG. 4 is a right side view thereof;

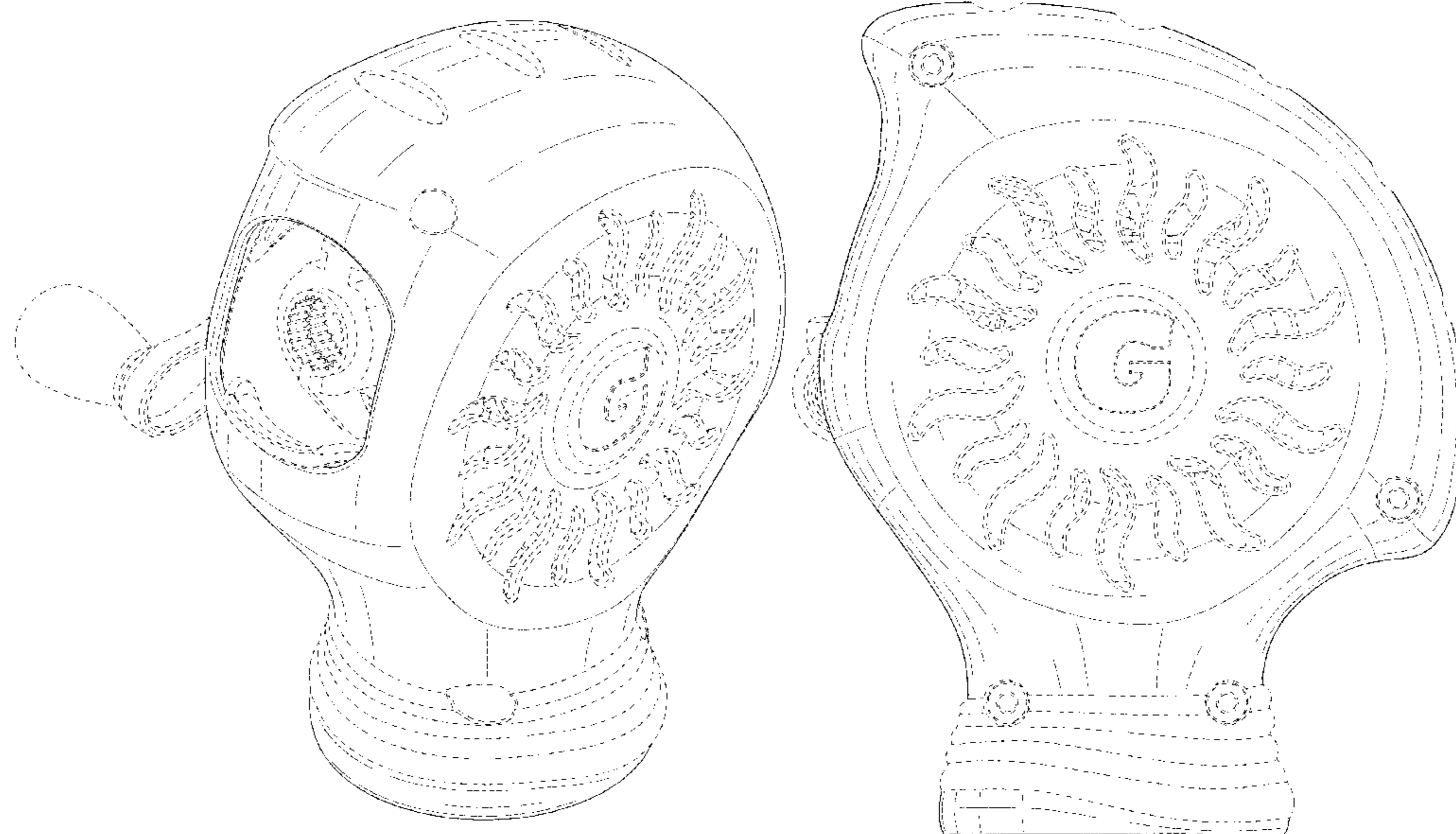
FIG. 5 is a left side view thereof;

FIG. 6 is a top view thereof; and,

FIG. 7 is a bottom view thereof.

The dot-dash-dot lines define the bounds of the claimed design and form no part thereof. All other broken lines illustrate portions of the bubble machine that form no part of the claimed design.

1 Claim, 7 Drawing Sheets



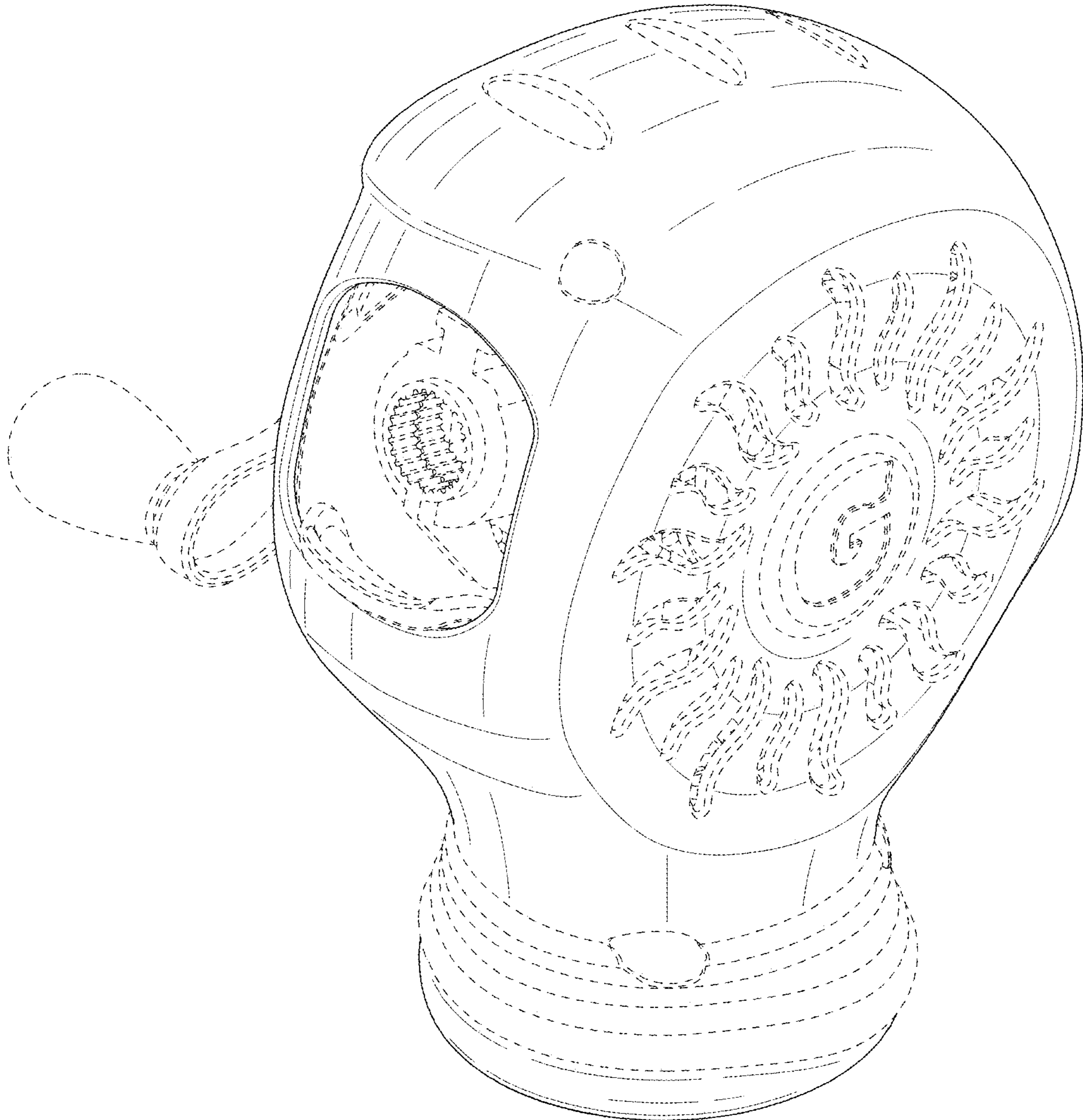


FIG. 1

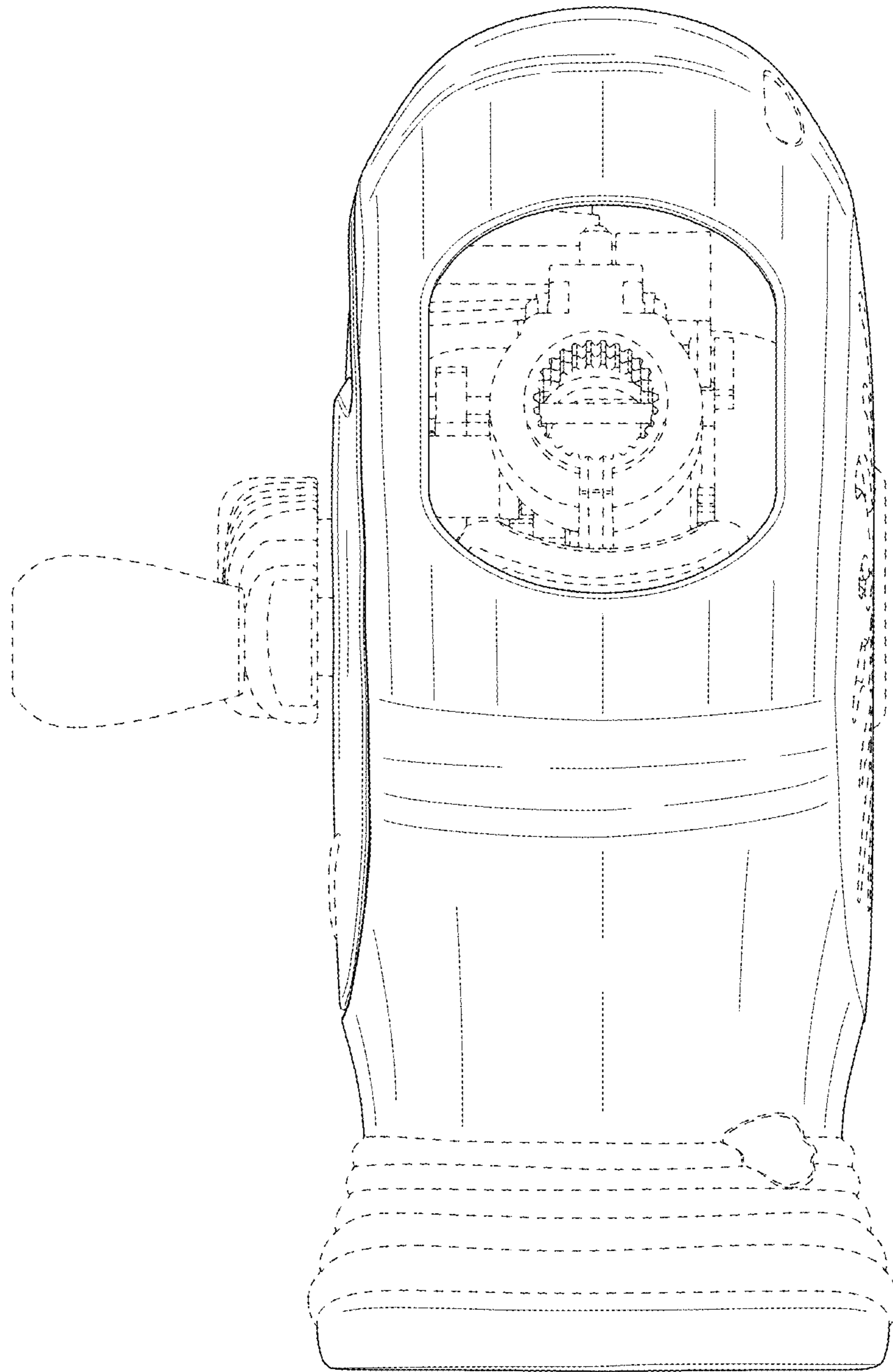


FIG. 2

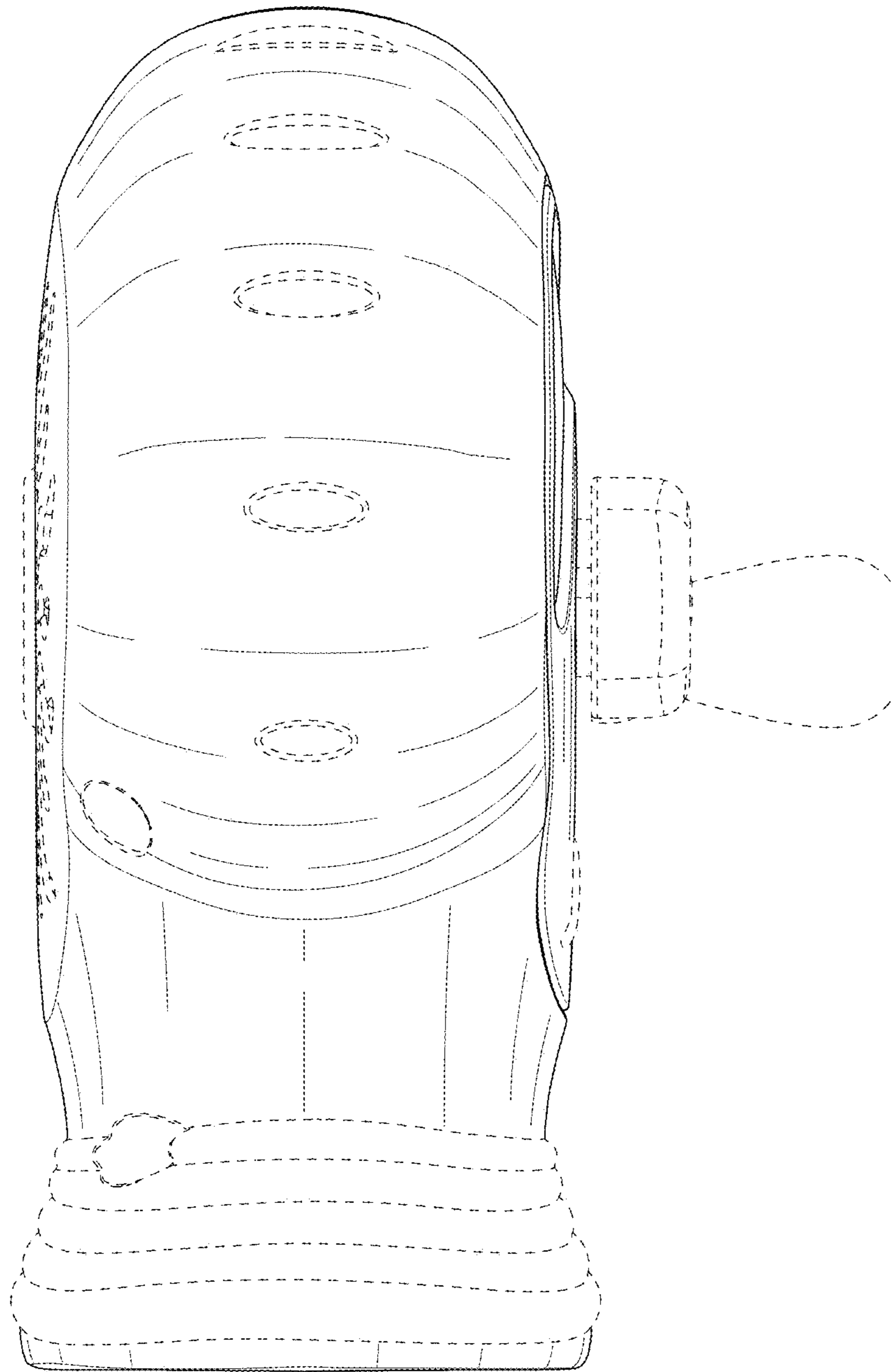


FIG. 3

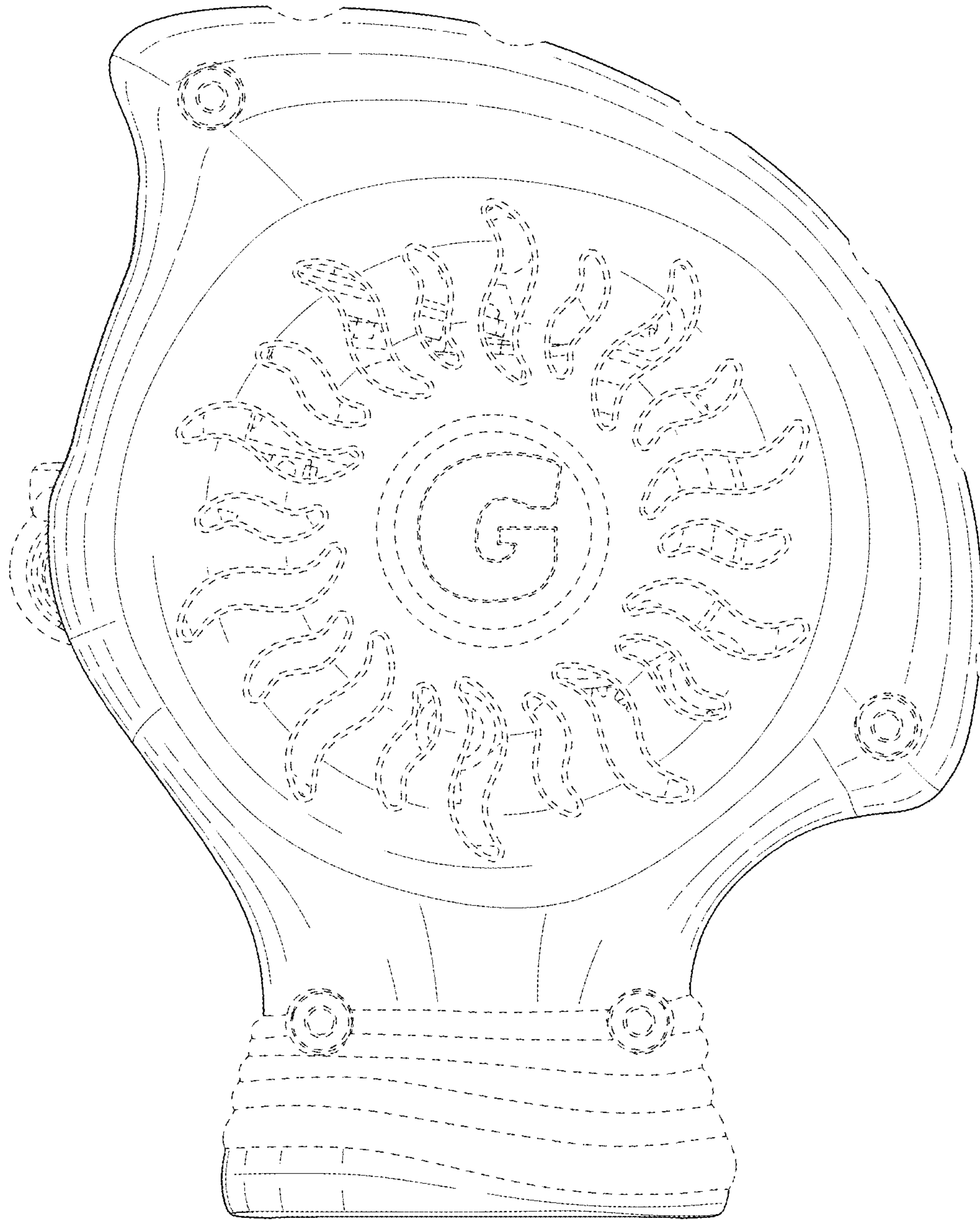


FIG. 4

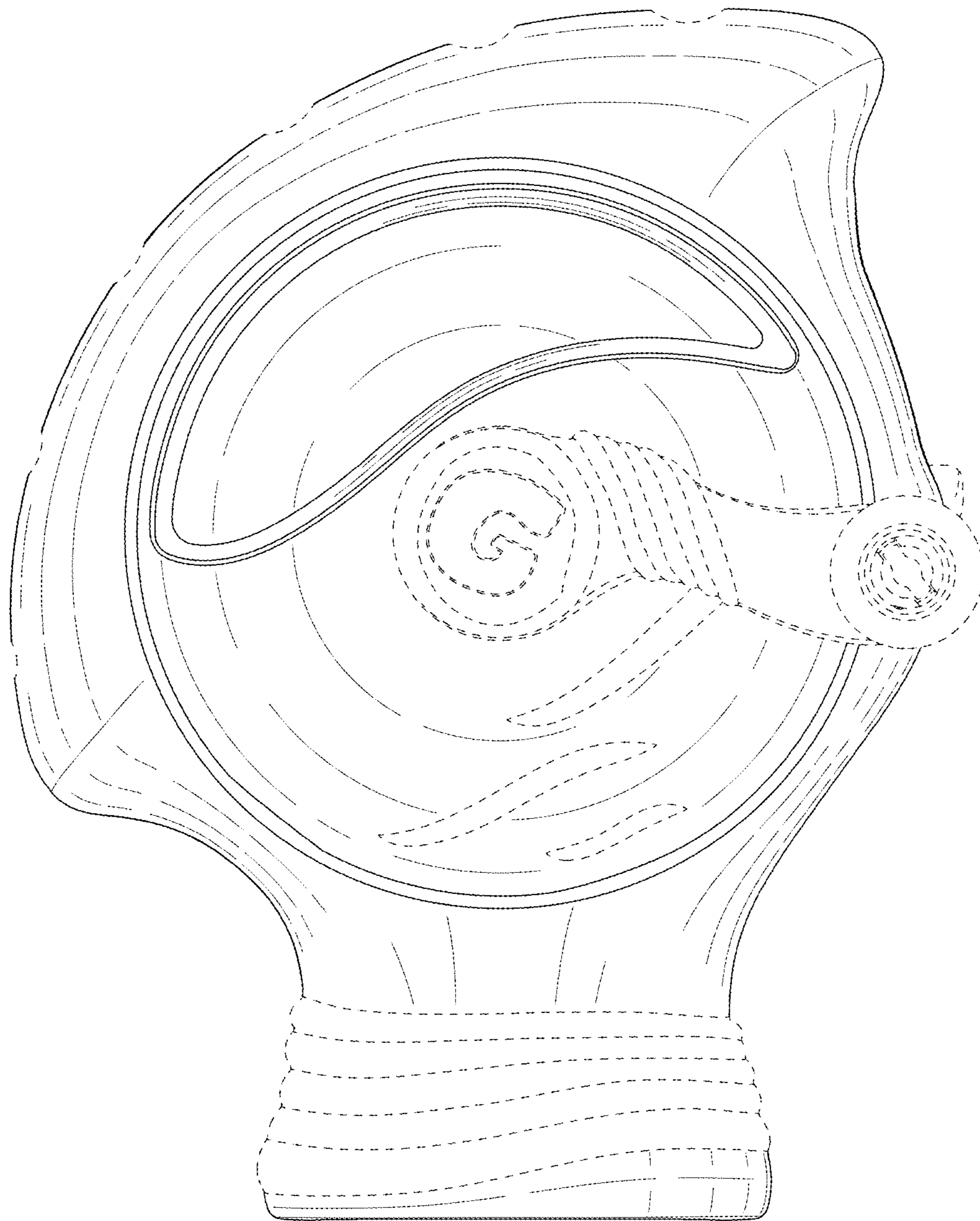


FIG. 5

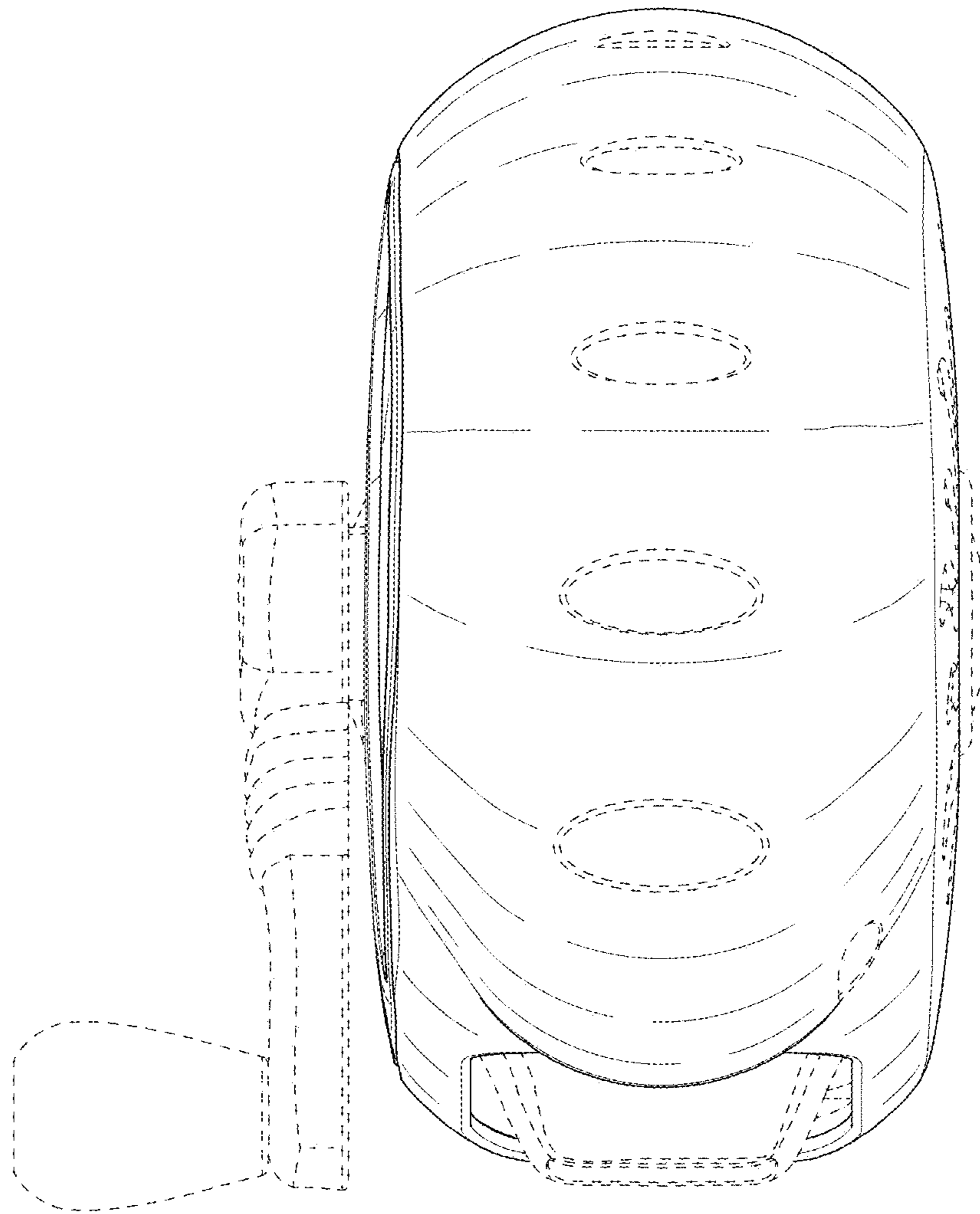


FIG. 6

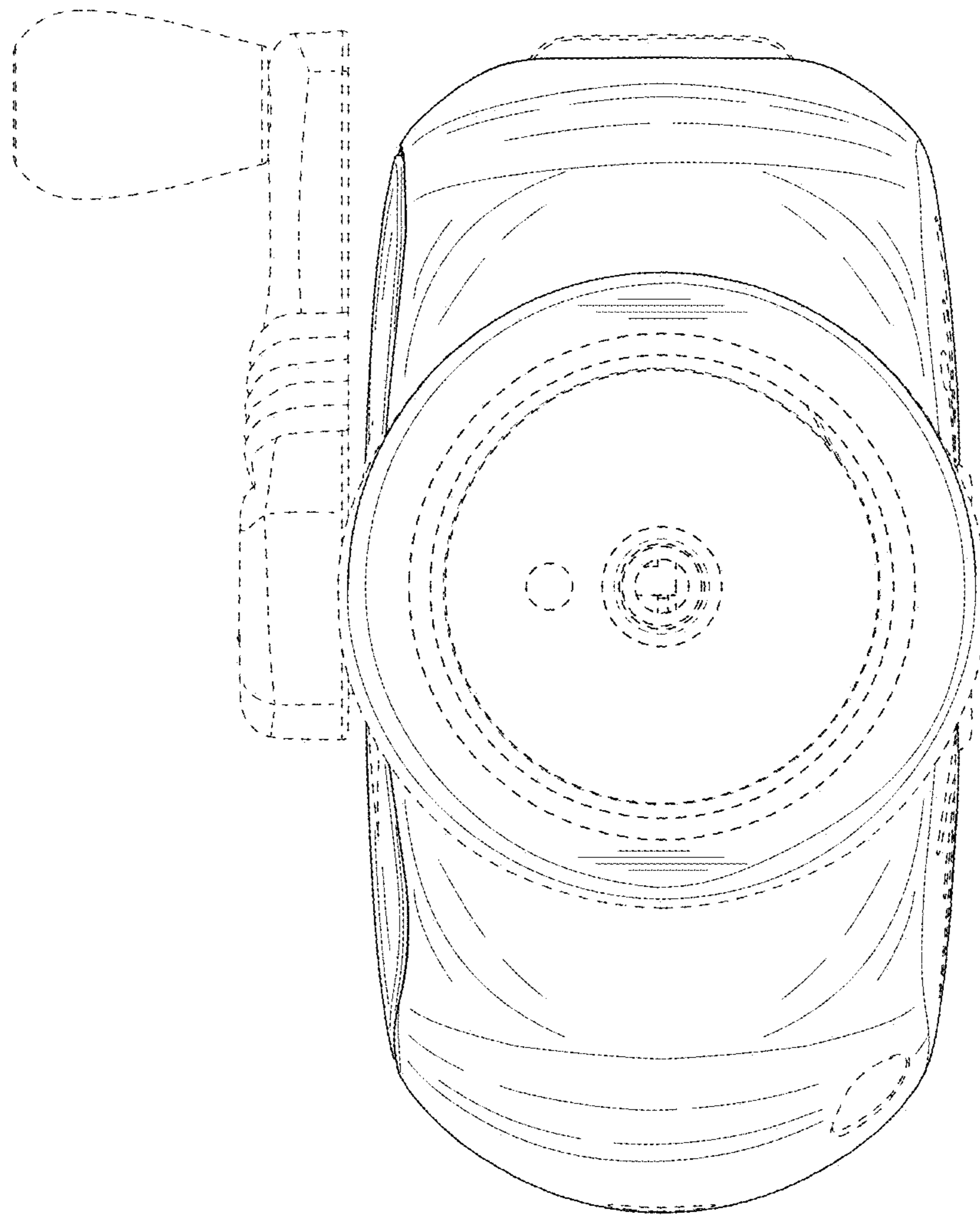


FIG. 7