



US00D893632S

(12) **United States Design Patent** (10) **Patent No.:** **US D893,632 S**
McGahn et al. (45) **Date of Patent:** **** Aug. 18, 2020**

(54) **BETTING TERMINAL**

(71) Applicant: **IGT, Las Vegas, NV (US)**

(72) Inventors: **Steven P. McGahn, Reno, NV (US);**
Charles Johnson, Reno, NV (US)

(73) Assignee: **IGT, Las Vegas, NV (US)**

(**) Term: **15 Years**

(21) Appl. No.: **29/662,984**

(22) Filed: **Sep. 11, 2018**

(51) **LOC (12) Cl.** **21-03**

(52) **U.S. Cl.**
USPC **D21/369**

(58) **Field of Classification Search**
USPC D21/369, 370, 371, 385, 329, 325, 394;
D14/307, 172, 129, 325, 401, 371, 126,
D14/439, 432, 450, 128, 375, 248, 374,
D14/341, 138 G, 127; 463/28, 13, 11,
463/16, 20, 25, 31, 46, 23, 30, 17, 36, 29,
463/42, 34, 32, 35, 19, 21, 22; 273/292,
273/203, 138.2, 143 R, 142 R, 138.1;
D19/60; D16/226; D8/335, 331, 334;
D26/141; D7/641
CPC G07F 17/32; G07F 17/34; G07F 17/3211;
G07F 17/3244; G07F 17/3267
See application file for complete search history.

(56) **References Cited**

U.S. PATENT DOCUMENTS

D195,840 S * 8/1963 Fay D14/305
D242,559 S * 11/1976 Takaichi D21/325
D246,918 S * 1/1978 Sauter D21/325
D344,296 S * 2/1994 McKay D21/326
D351,866 S * 10/1994 Freels D21/325
D358,616 S * 5/1995 Chung-Po D21/325
5,813,914 A 9/1998 McKay et al.

D401,227 S * 11/1998 Catta D14/305
D404,077 S * 1/1999 Dickenson D21/369
D411,257 S * 6/1999 Nolte D21/325
D428,063 S * 7/2000 Thomas D21/325
D428,446 S * 7/2000 Thomas D21/325
D428,934 S * 8/2000 Thomas D21/325
D428,935 S * 8/2000 Thomas D21/325
6,138,814 A * 10/2000 Miller G07F 9/06
194/350
D434,412 S * 11/2000 Creech D14/305
(Continued)

OTHER PUBLICATIONS

IGT "Multi-Poker" Slant-Top Video Poker Machine, available prior to Sep. 11, 2018 (1 page).
(Continued)

Primary Examiner — Ryan Harvey
(74) *Attorney, Agent, or Firm* — Neal, Gerber & Eisenberg LLP

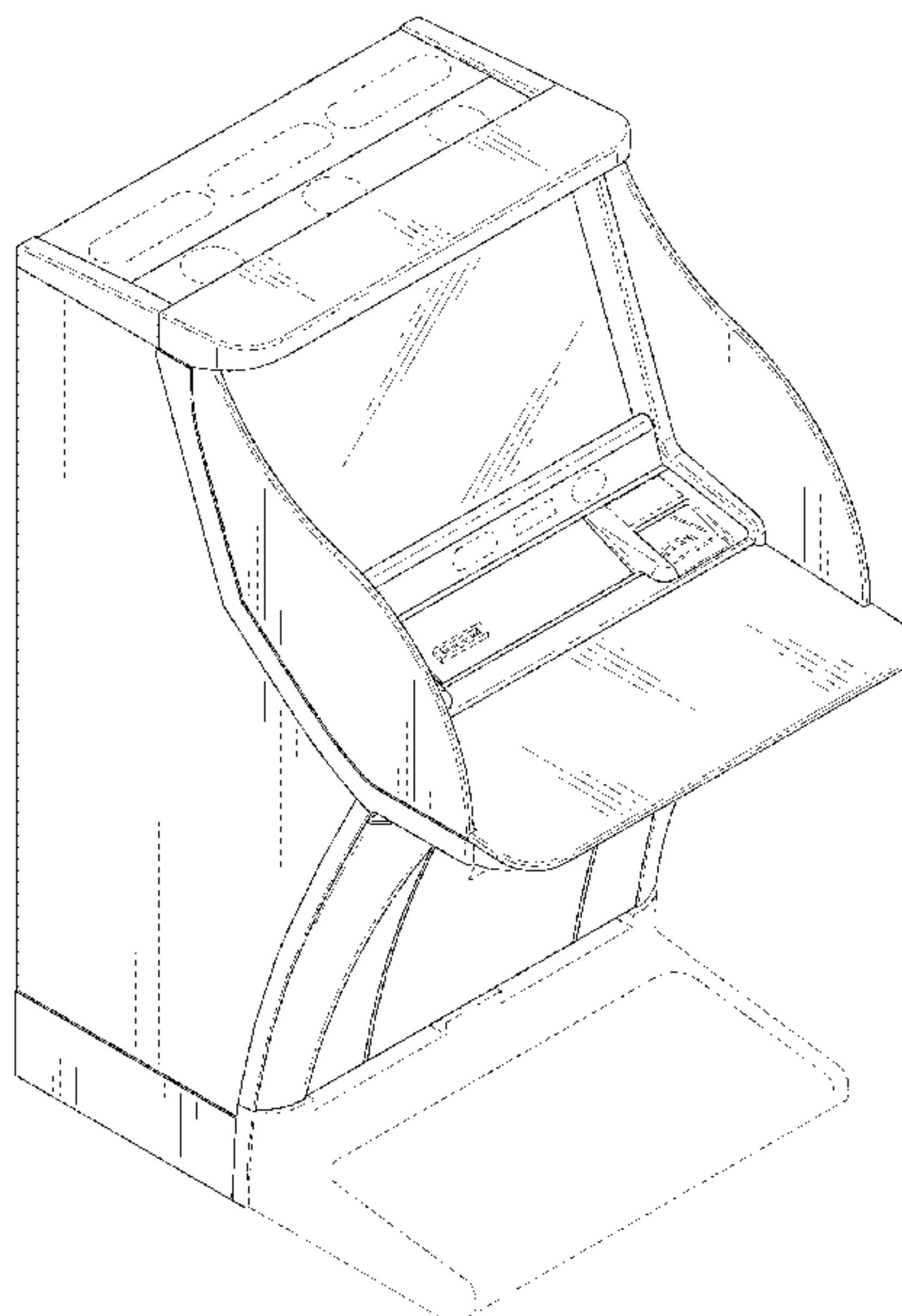
(57) **CLAIM**

The ornamental design for a betting terminal, as shown and described herein.

DESCRIPTION

FIG. 1 is a first front perspective view of a betting terminal of our new design.
FIG. 2 is a second front perspective view of the betting terminal of FIG. 1.
FIG. 3 is a front view of the betting terminal of FIG. 1.
FIG. 4 is a rear view of the betting terminal of FIG. 1.
FIG. 5 is a left side view of the betting terminal of FIG. 1.
FIG. 6 is a right side view of the betting terminal of FIG. 1.
FIG. 7 is a top view of the betting terminal of FIG. 1; and, FIG. 8 is a bottom view of the betting terminal of FIG. 1.
The portions shown in phantom are not part of the claimed design.

1 Claim, 8 Drawing Sheets



(56)

References Cited

U.S. PATENT DOCUMENTS

D439,931 S * 4/2001 Yamaguchi D21/325
 D442,640 S * 5/2001 Hayashi D21/305
 6,270,411 B1 * 8/2001 Gura G07F 17/3211
 273/138.2
 D458,971 S * 6/2002 Stephan D21/325
 D473,269 S * 4/2003 Tsuda D21/329
 D486,530 S * 2/2004 Morrison D21/369
 6,688,984 B2 2/2004 Cole
 D487,434 S * 3/2004 Monson D14/126
 D493,844 S * 8/2004 Morrison D21/369
 D493,845 S * 8/2004 Morrison D21/369
 D508,269 S * 8/2005 Wichinsky D21/325
 6,997,810 B2 2/2006 Cole
 D525,665 S * 7/2006 Karlsson D21/329
 D531,677 S * 11/2006 Mallory D21/369
 D539,854 S * 4/2007 Luciano D21/369
 7,267,613 B2 9/2007 Cole
 D559,917 S 1/2008 Cole
 D563,481 S * 3/2008 Looks D21/370
 7,396,282 B2 7/2008 Gauselmann
 D578,168 S * 10/2008 Looks D21/369
 D587,319 S * 2/2009 Moises Deiab D21/325
 7,513,830 B2 * 4/2009 Hajder G07F 17/3202
 463/46
 D596,678 S * 7/2009 Myers D21/370
 D597,144 S * 7/2009 Myers D21/370
 D603,909 S * 11/2009 De Viveiros Ortiz D21/325
 D604,773 S * 11/2009 De Viveiros Ortiz D21/325
 D604,774 S * 11/2009 De Viveiros Ortiz D21/325
 D612,432 S * 3/2010 De Viveiros Ortiz D21/325
 D616,414 S * 5/2010 Nathan D14/173
 D619,659 S * 7/2010 Damani D21/325
 D622,323 S * 8/2010 De Viveiros Ortiz D21/325
 D626,182 S * 10/2010 Cole D21/369
 D626,603 S * 11/2010 Bruzzese D21/370
 D627,008 S * 11/2010 Bruzzese D21/385
 D637,238 S * 5/2011 O'Keene D21/370
 D649,604 S * 11/2011 Ortiz D21/370
 8,075,385 B2 * 12/2011 Jackson G07F 17/3293
 463/1
 D662,487 S * 6/2012 Nathan D14/173
 8,328,635 B2 * 12/2012 Oosthoek G07F 17/32
 463/26
 8,388,454 B2 * 3/2013 Kido G07F 17/32
 463/46
 8,398,475 B2 * 3/2013 De Waal G07F 17/3267
 463/16
 8,439,761 B2 * 5/2013 O'Keene G07F 17/3216
 463/46
 D684,637 S * 6/2013 Shelley D21/370

D684,638 S * 6/2013 Shelley D21/370
 D685,435 S * 7/2013 Hohman D21/370
 D693,884 S * 11/2013 Galdini Ferrazoli D21/370
 D695,733 S * 12/2013 Damhuis D14/307
 D705,872 S * 5/2014 Ortiz D21/370
 D707,674 S * 6/2014 Daniel D14/307
 8,920,239 B2 * 12/2014 Reddy G07F 17/3211
 463/20
 D724,658 S * 3/2015 Sakai D18/53
 9,033,806 B2 * 5/2015 Bruzzese G07F 17/3216
 463/46
 D730,992 S * 6/2015 van Linden D21/369
 D732,520 S * 6/2015 Themann D14/307
 D740,887 S * 10/2015 Randazzo D21/370
 D743,956 S * 11/2015 Kraft D14/307
 9,224,268 B2 * 12/2015 Aoki G07F 17/3218
 D751,061 S * 3/2016 Berini D14/307
 D758,497 S * 6/2016 Uhren D21/369
 D762,778 S * 8/2016 Knesek D14/172
 D769,570 S * 10/2016 Kraft D99/28
 D801,436 S * 10/2017 Stephenson, III D21/369
 D808,467 S * 1/2018 Huang D21/369
 D812,145 S * 3/2018 Huang D21/369
 D822,117 S * 7/2018 Costa D21/325
 D822,766 S * 7/2018 Costa D21/325
 D827,719 S * 9/2018 Costa D21/369
 10,373,421 B2 * 8/2019 Pan G07F 17/3206
 10,607,438 B2 * 3/2020 Froy G07F 17/3267
 D880,599 S * 4/2020 Navid D21/325
 2003/0224858 A1 * 12/2003 Yoseloff G07F 17/32
 463/43
 2004/0192433 A1 * 9/2004 Johnson A63F 13/08
 463/20
 2005/0137019 A1 * 6/2005 Ikeda G07F 17/3211
 463/46
 2006/0281559 A1 * 12/2006 Luciano G07F 17/32
 463/46
 2007/0207861 A1 * 9/2007 Gawel G07F 17/32
 463/46
 2009/0233681 A1 9/2009 Tsukahara
 2009/0275381 A1 * 11/2009 Bennett G07F 17/32
 463/20
 2009/0280911 A1 * 11/2009 Tsao G07F 17/32
 463/46
 2013/0102390 A1 * 4/2013 Klein G07F 17/3211
 463/37

OTHER PUBLICATIONS

Spin, Inc., LCT, Ceronix 19", USB Touch, 25 Pin with Bezel—IGT AVP, available prior to Sep. 11, 2018 (1 page).

* cited by examiner

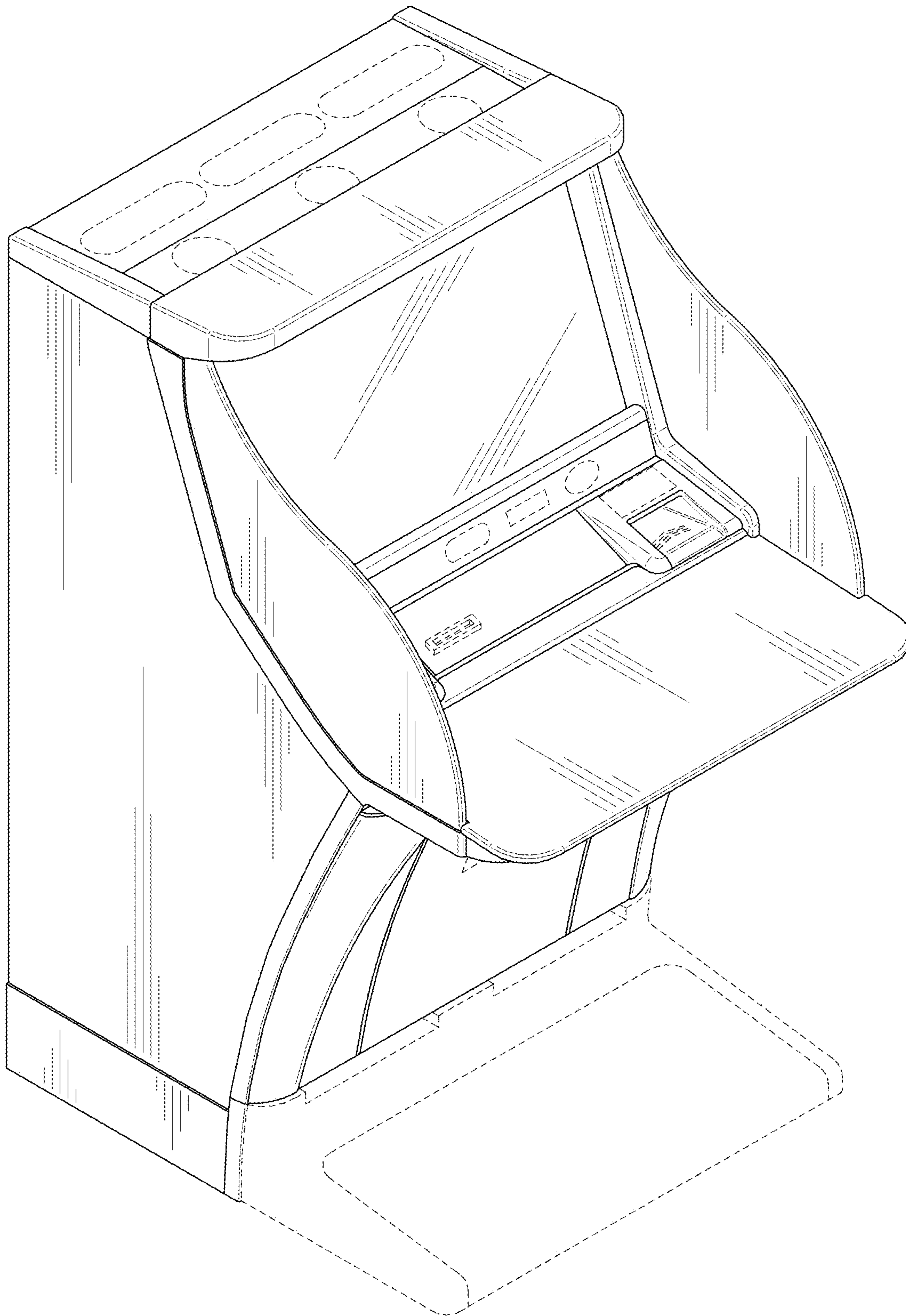


FIG. 1

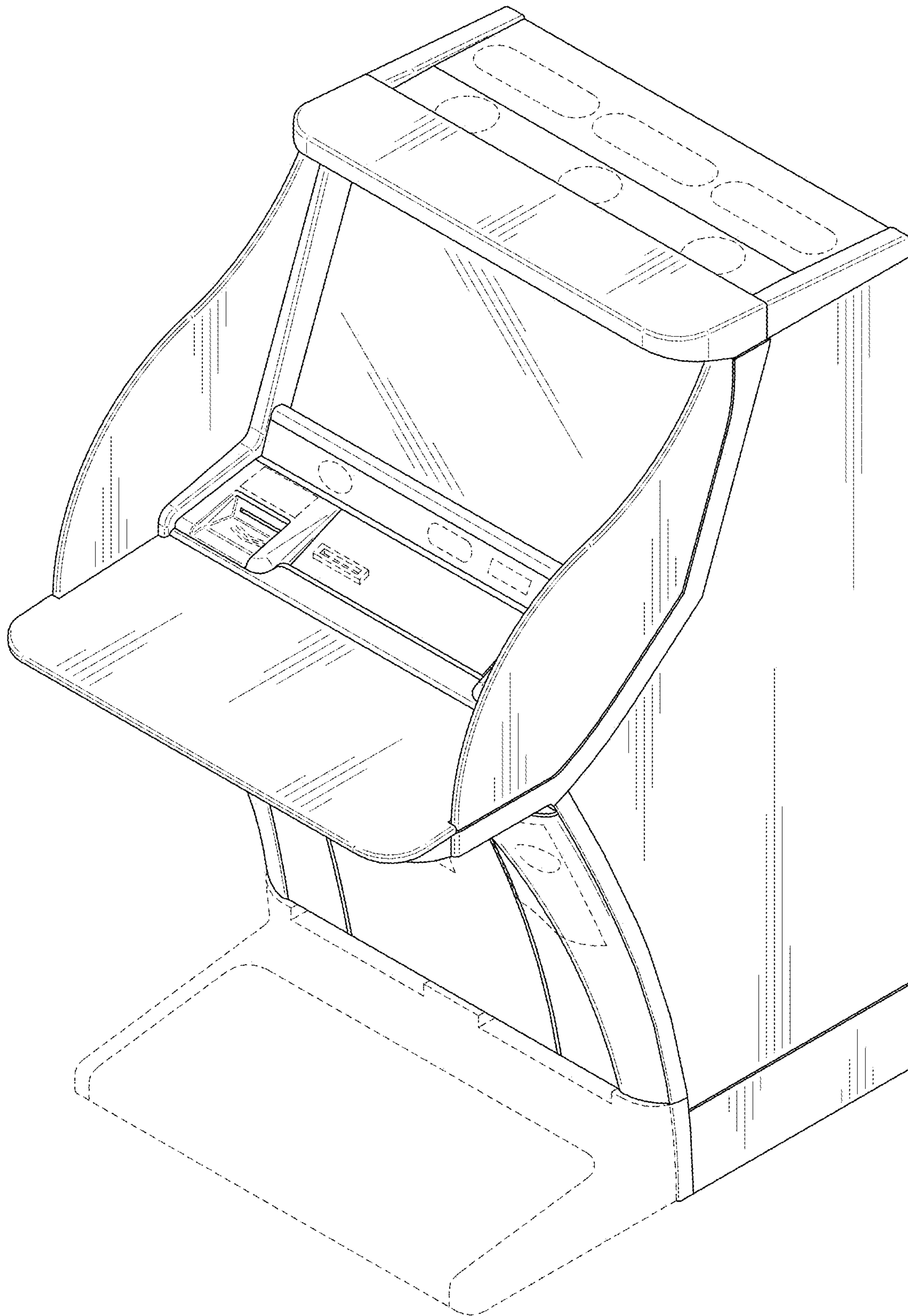


FIG. 2

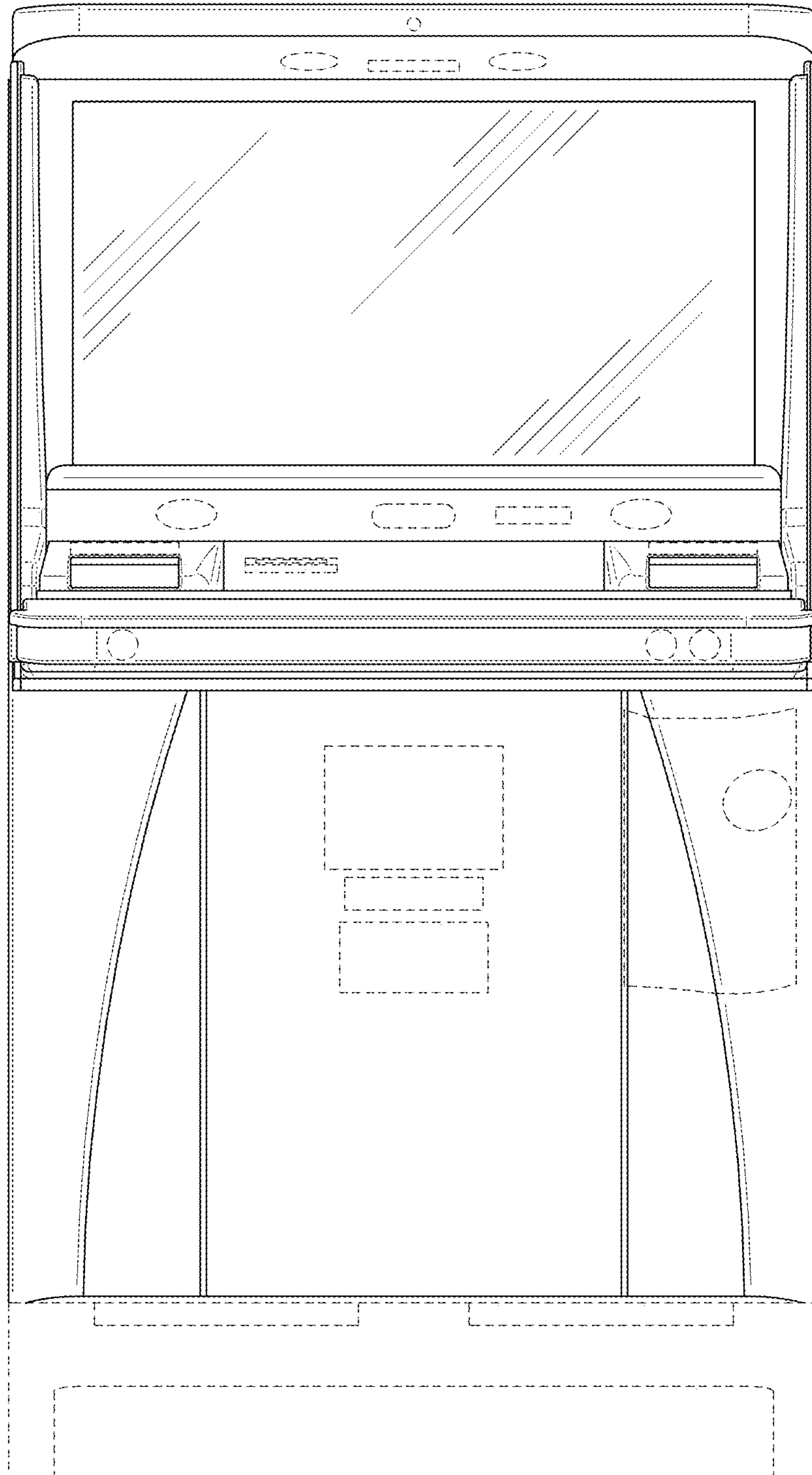


FIG. 3

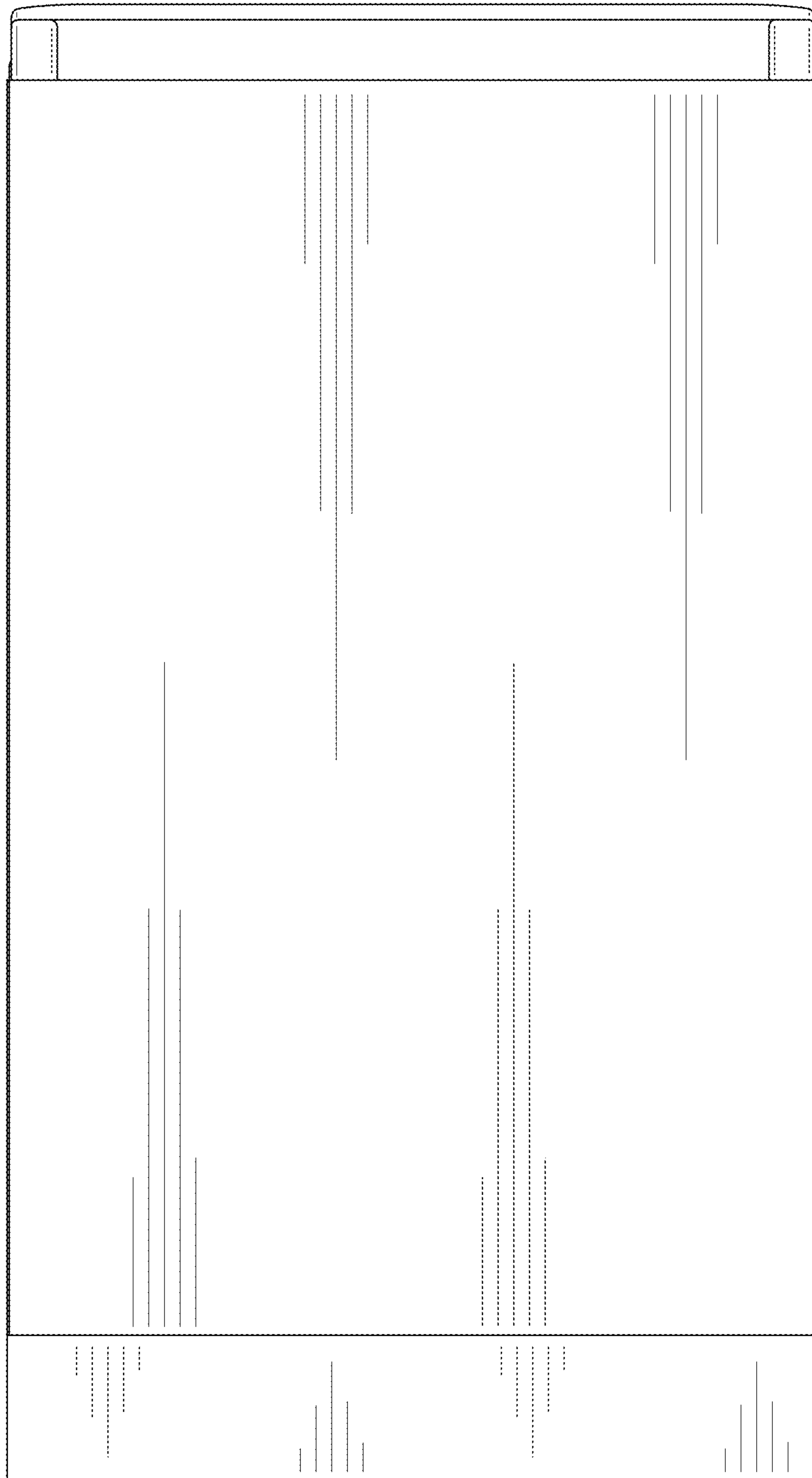


FIG. 4

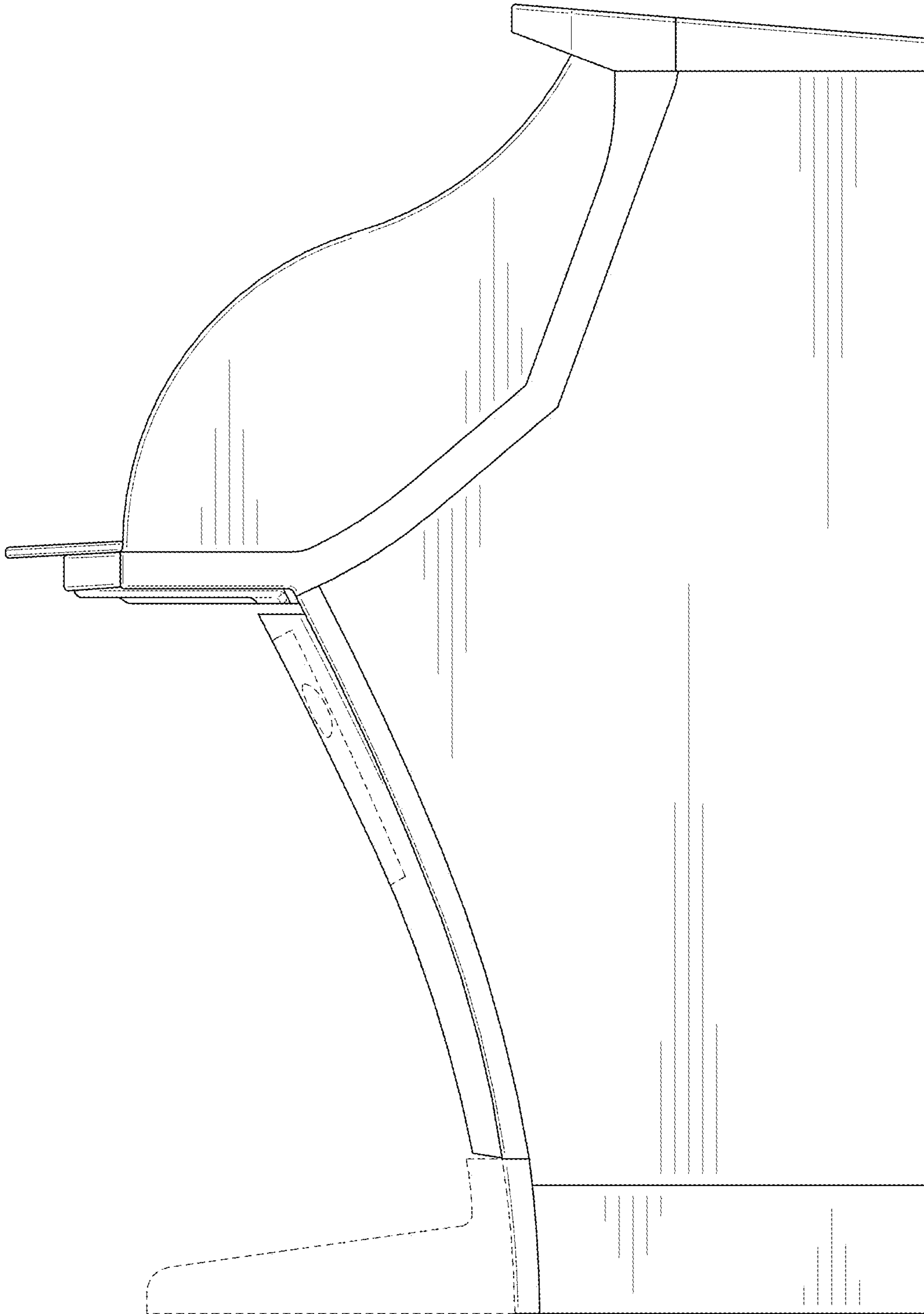


FIG. 5

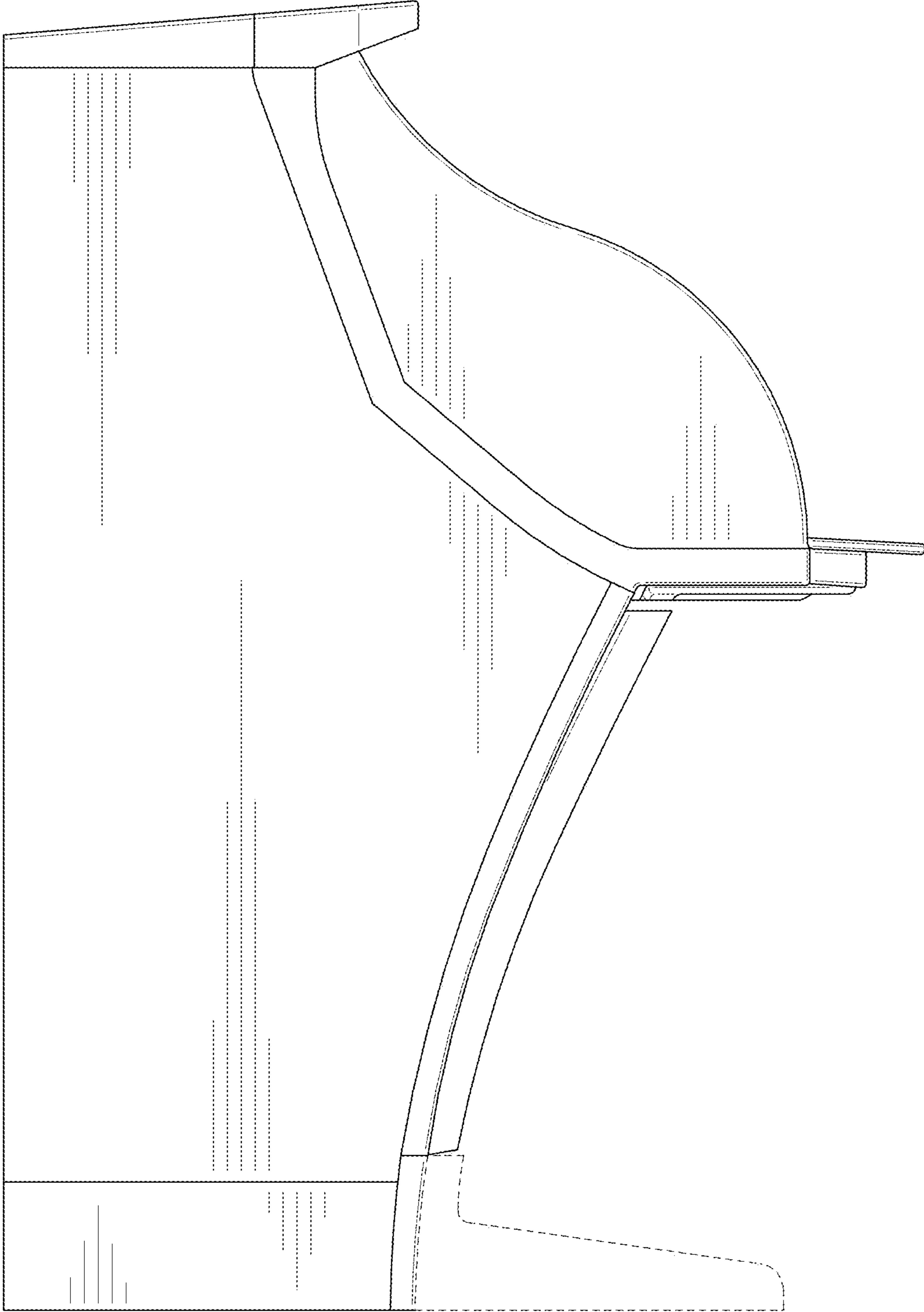


FIG. 6

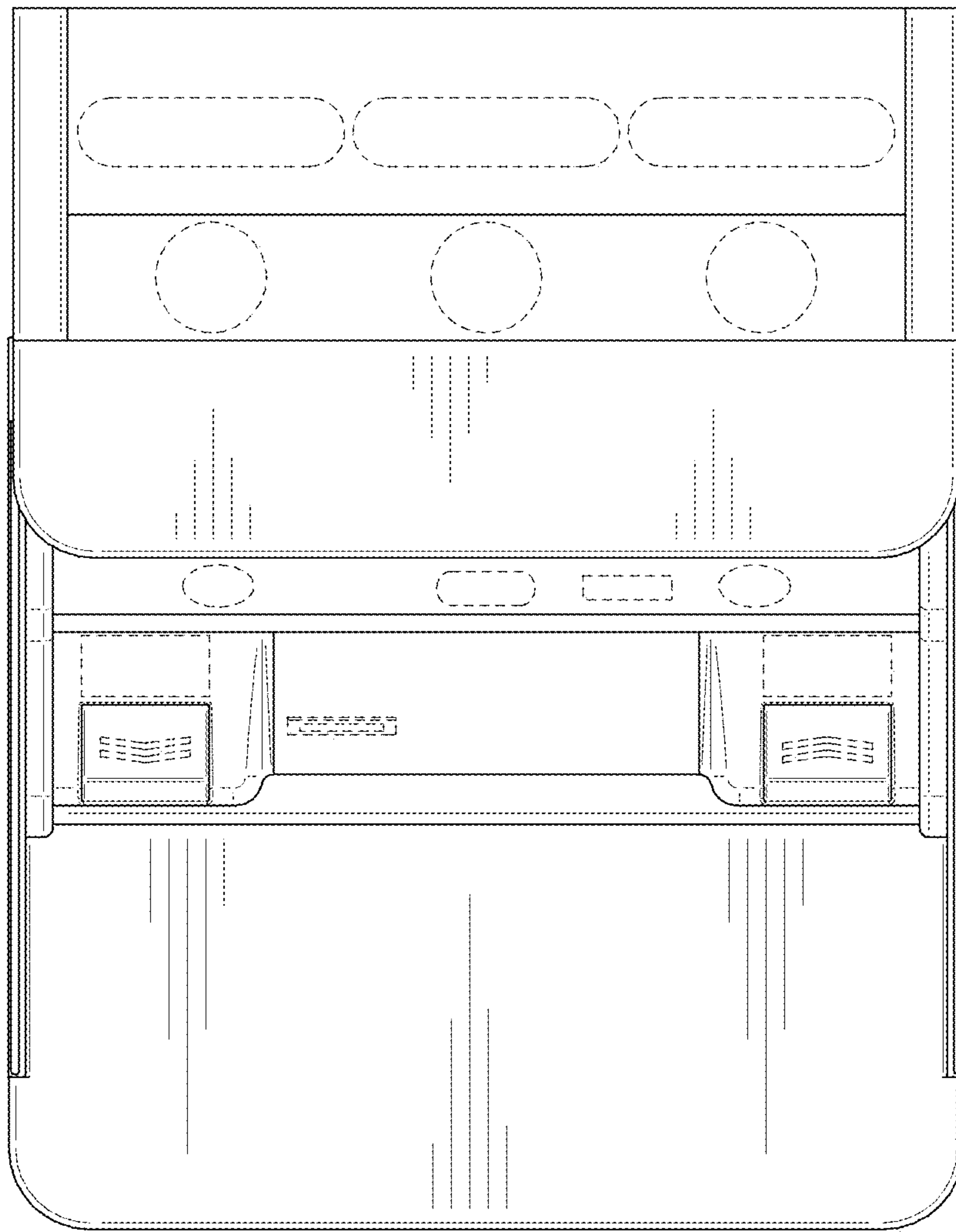


FIG. 7

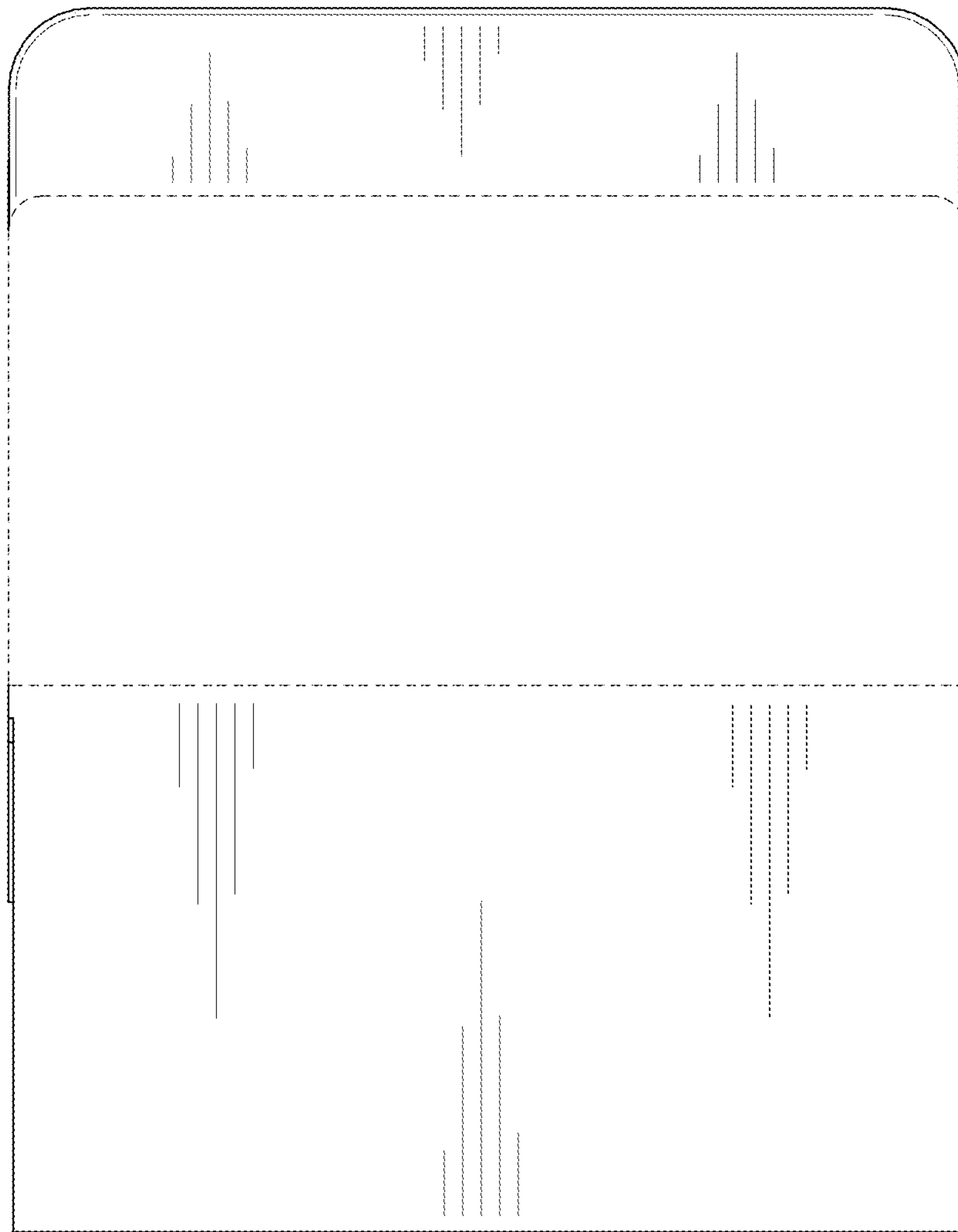


FIG. 8