



US00D893629S

(12) **United States Design Patent**
Wu

(10) **Patent No.:** **US D893,629 S**

(45) **Date of Patent:** **** Aug. 18, 2020**

(54) **GAMEPAD**

(71) Applicant: **Hehuang Wu**, Longyan (CN)

(72) Inventor: **Hehuang Wu**, Longyan (CN)

(**) Term: **15 Years**

(21) Appl. No.: **29/674,795**

(22) Filed: **Dec. 26, 2018**

(51) **LOC (12) Cl.** **21-01**

(52) **U.S. Cl.**
USPC **D21/333**

(58) **Field of Classification Search**

USPC D21/300, 324, 328, 332, 333; D14/315,
D14/318, 320, 322, 330, 335, 338, 346,
D14/356, 374, 381, 382, 387, 388, 399,
D14/400, 422, 439, 451, 455, 456, 474,
D14/129, 133, 137, 138 R, 140.1, 163,
D14/178, 199, 208, 217, 261; D17/20;
D19/115, 128, 188, 100; 273/148 R,
273/148 B; 463/1, 46, 47, 43; 84/718,
84/722

CPC G06F 1/1626; G06F 1/1656; G09B 19/00;
G09B 19/08; H04B 1/0458

See application file for complete search history.

(56) **References Cited**

U.S. PATENT DOCUMENTS

5,501,458 A *	3/1996	Mallory	A63F 13/08
				273/148 B
D522,011 S *	5/2006	Hayes	D14/401
D544,481 S *	6/2007	Maddox	D14/240
D581,422 S *	11/2008	Hayes	D14/401
D609,706 S *	2/2010	Helt, III	D14/426
D692,887 S *	11/2013	Ibuki	D14/401

D694,830 S *	12/2013	Crowley	D14/401
D711,877 S *	8/2014	Bellinghausen	D14/401
D730,451 S *	5/2015	Burgess	D14/401
D753,238 S *	4/2016	Wikel	D21/333
D765,788 S *	9/2016	Kujawski	D14/401
D766,377 S *	9/2016	Kujawski	D14/401
D766,902 S *	9/2016	Bellinghausen	D14/401
D767,037 S *	9/2016	Chatterjee	D21/333
D767,682 S *	9/2016	Bellinghausen	D14/401
D767,684 S *	9/2016	Kujawski	D14/401
D786,870 S *	5/2017	Coe	D14/401
D816,083 S *	4/2018	Wu	D14/401
D817,960 S *	5/2018	Wolberg	D14/419
D881,281 S *	4/2020	Tong	D21/333
D881,993 S *	4/2020	Ehara	D21/333

* cited by examiner

Primary Examiner — Sandra S Snapp

Assistant Examiner — Mehri Bajoul

(74) *Attorney, Agent, or Firm* — ZANIP

(57) **CLAIM**

The ornamental design for a gamepad, as shown and described.

DESCRIPTION

FIG. 1 is a top right perspective view of a gamepad showing my new design;

FIG. 2 is a bottom left perspective view thereof;

FIG. 3 is a front elevation view thereof;

FIG. 4 is a back elevation view thereof;

FIG. 5 is a left side view thereof;

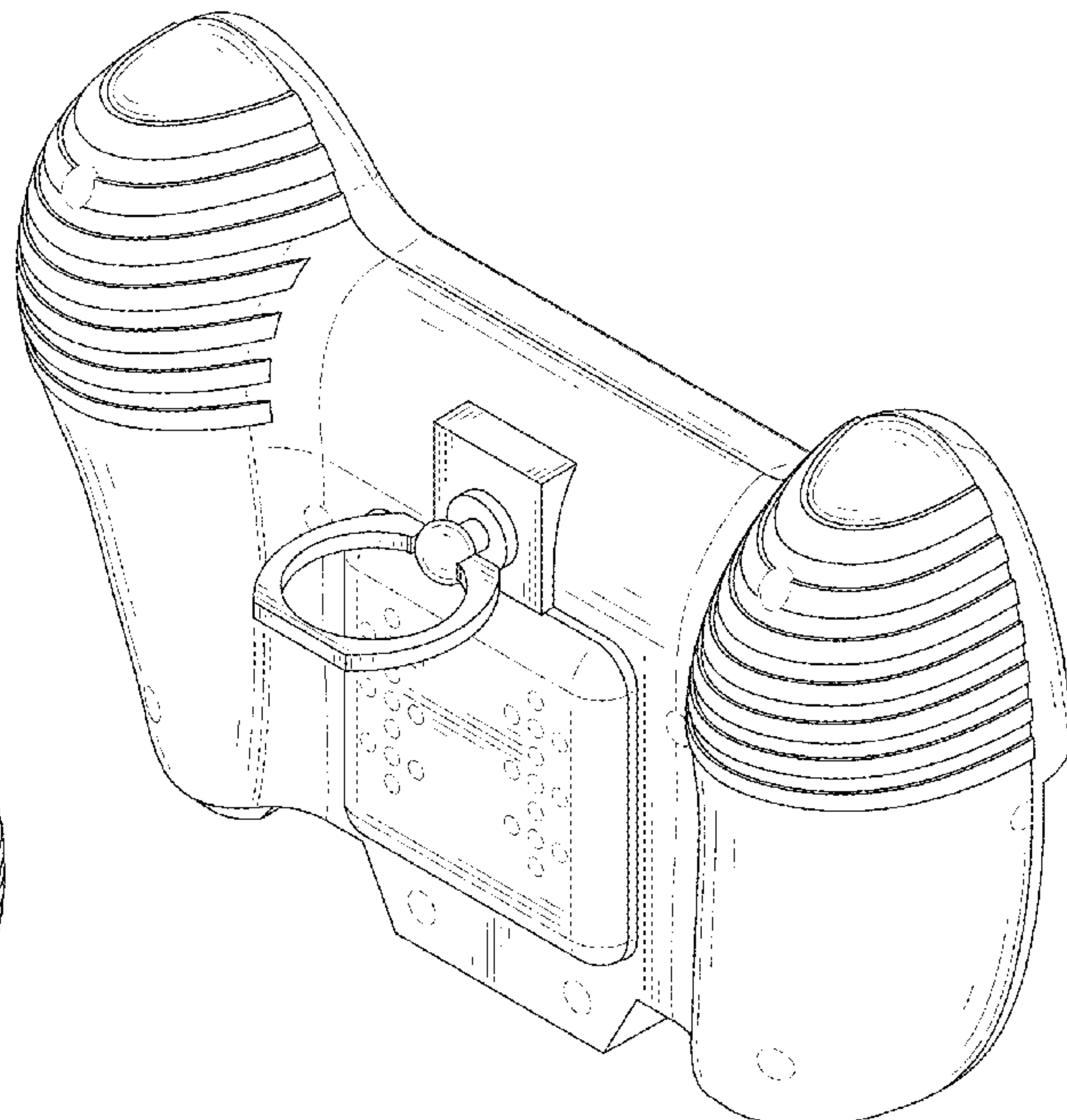
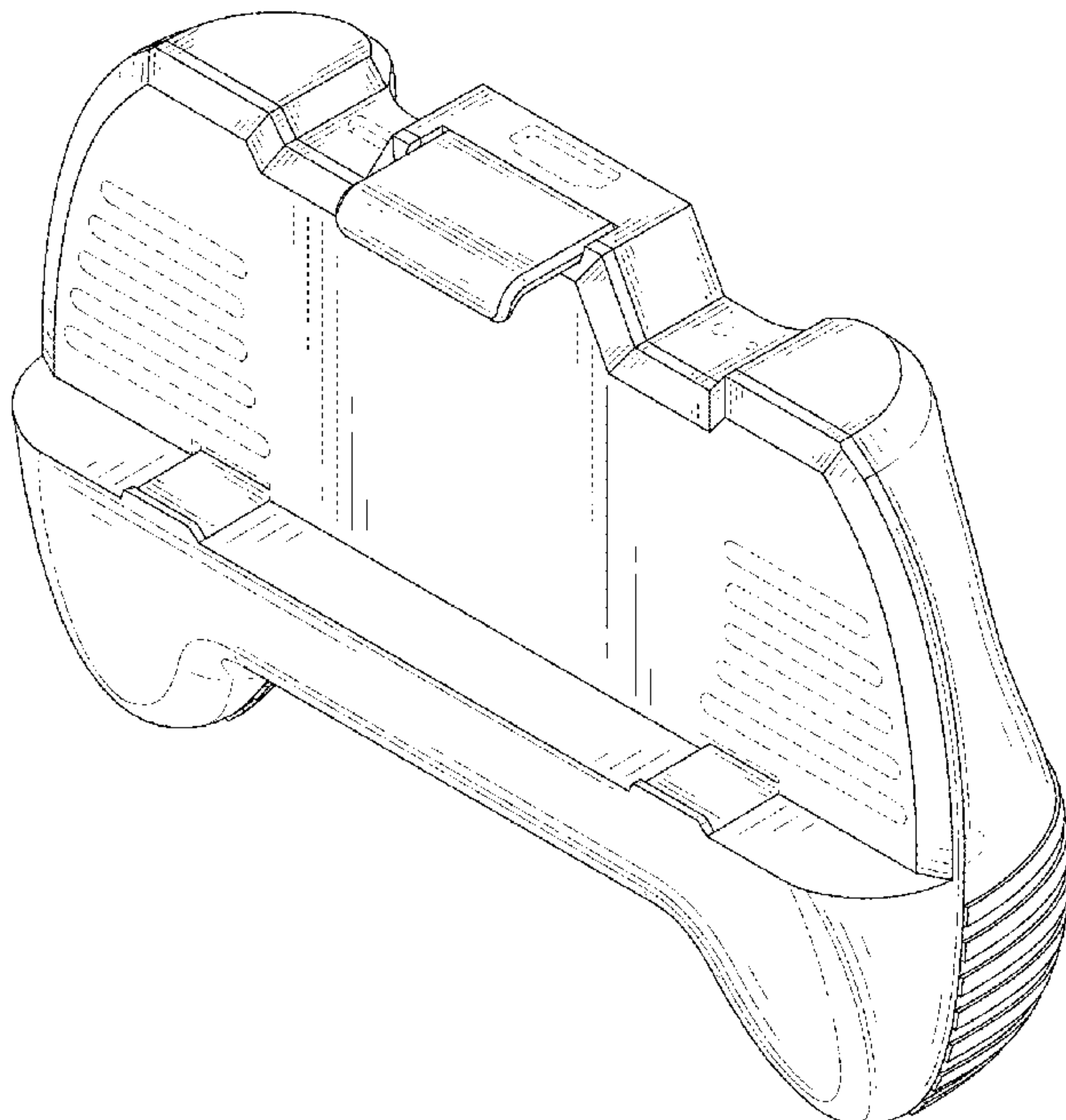
FIG. 6 is a right side view thereof;

FIG. 7 is a top plan view thereof; and,

FIG. 8 is a bottom plan view thereof.

The broken lines shown in the drawings depict portions of the gamepad that form no part of the claimed design.

1 Claim, 8 Drawing Sheets



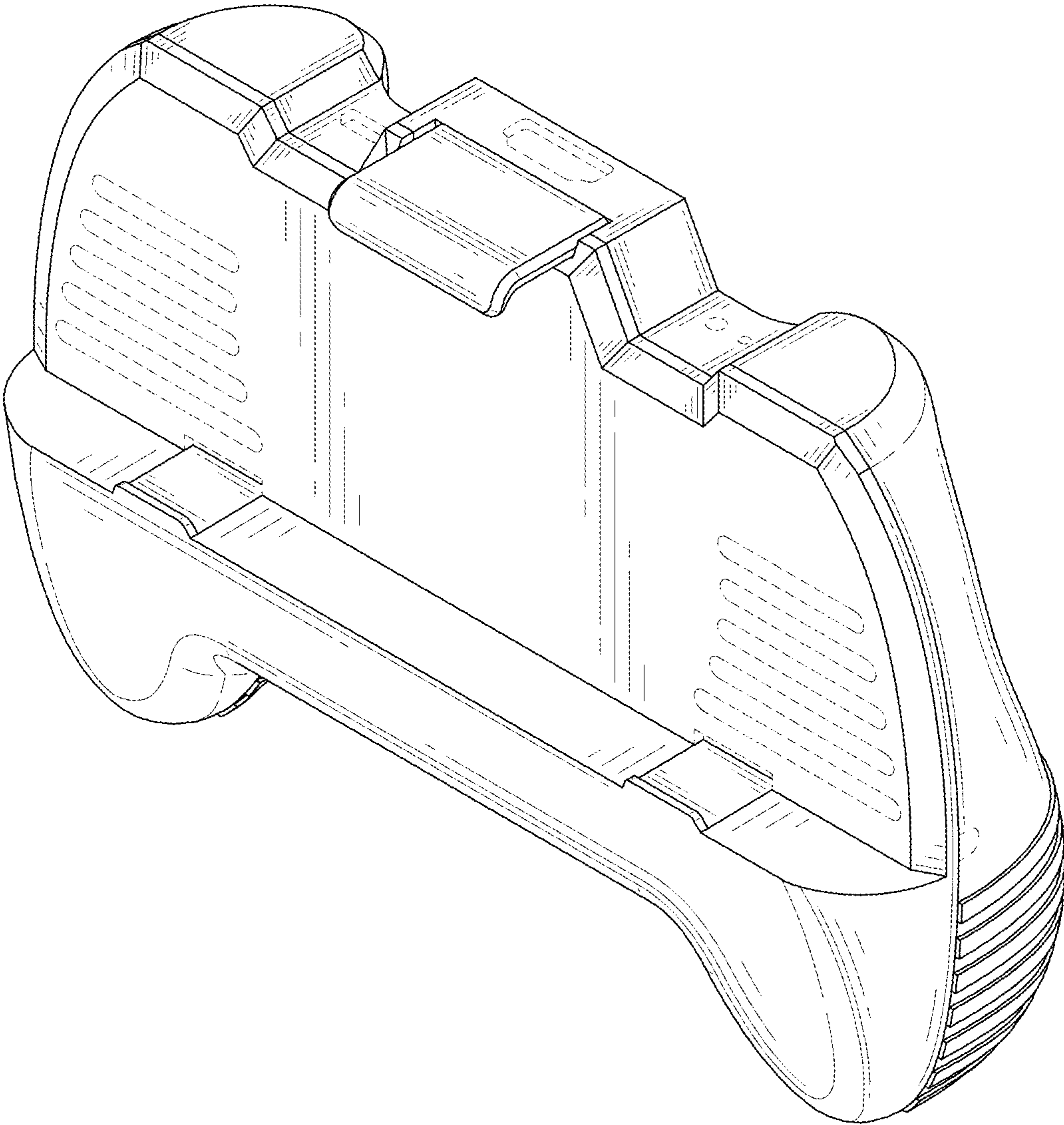


FIG. 1

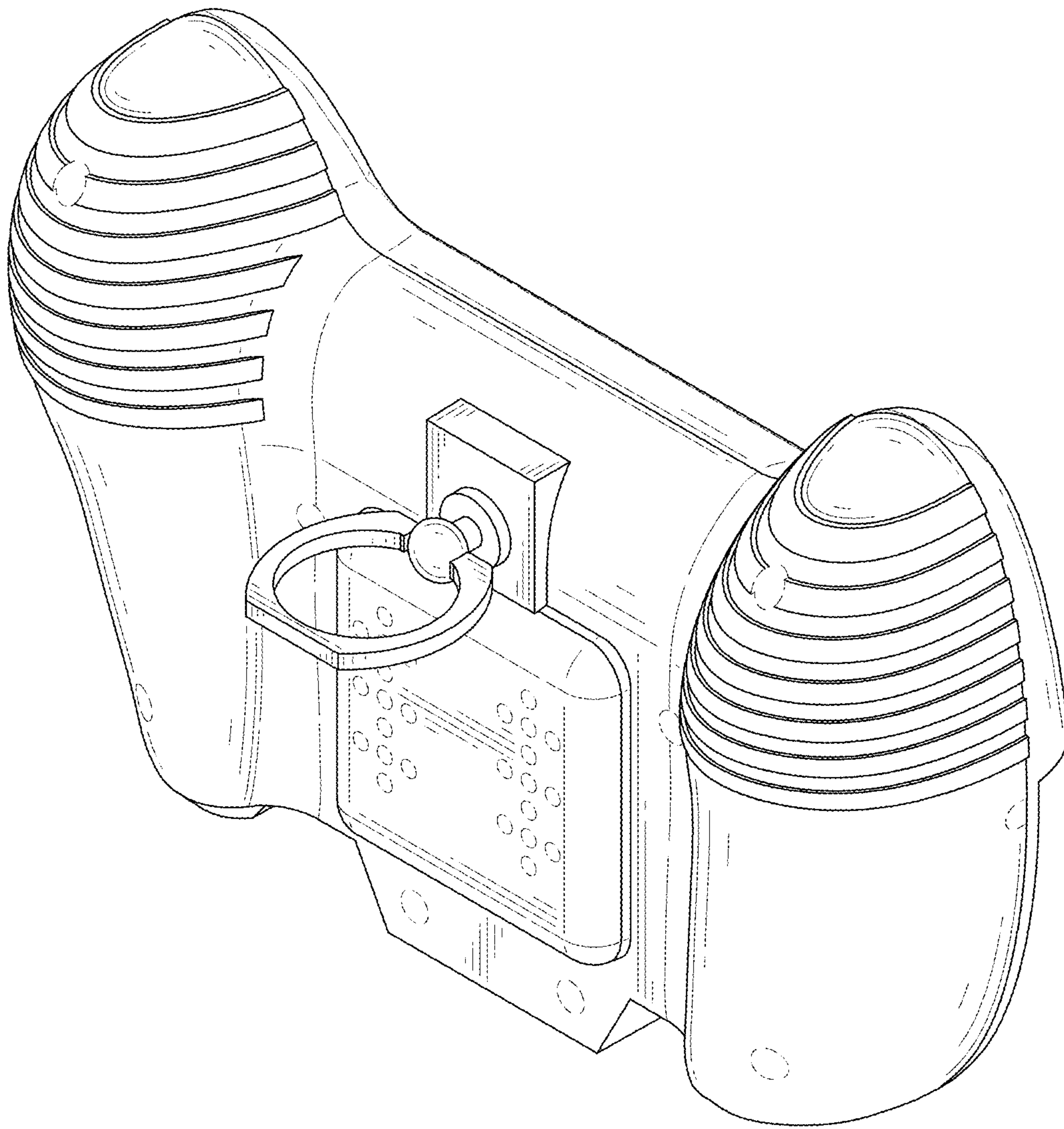


FIG. 2

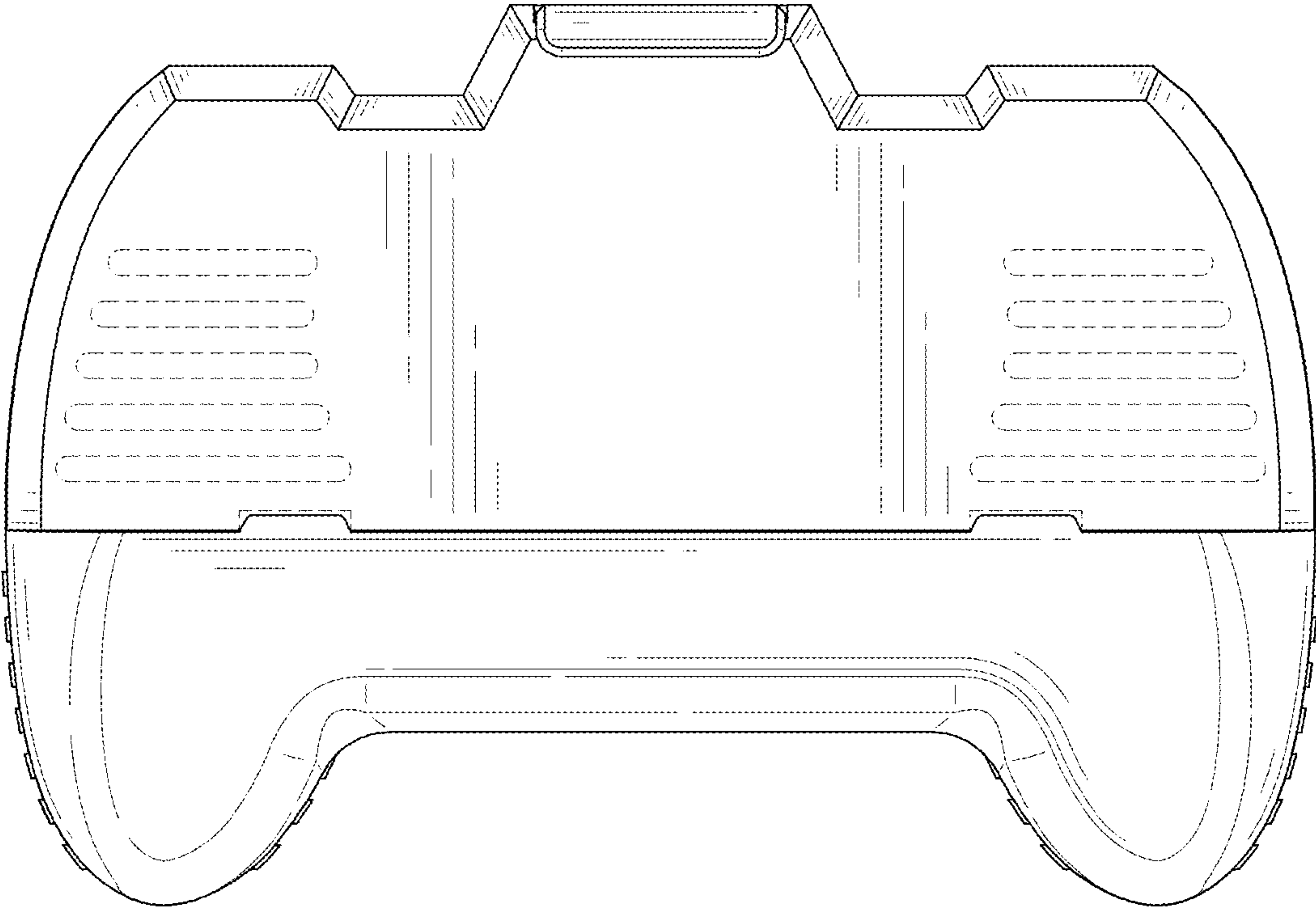


FIG. 3

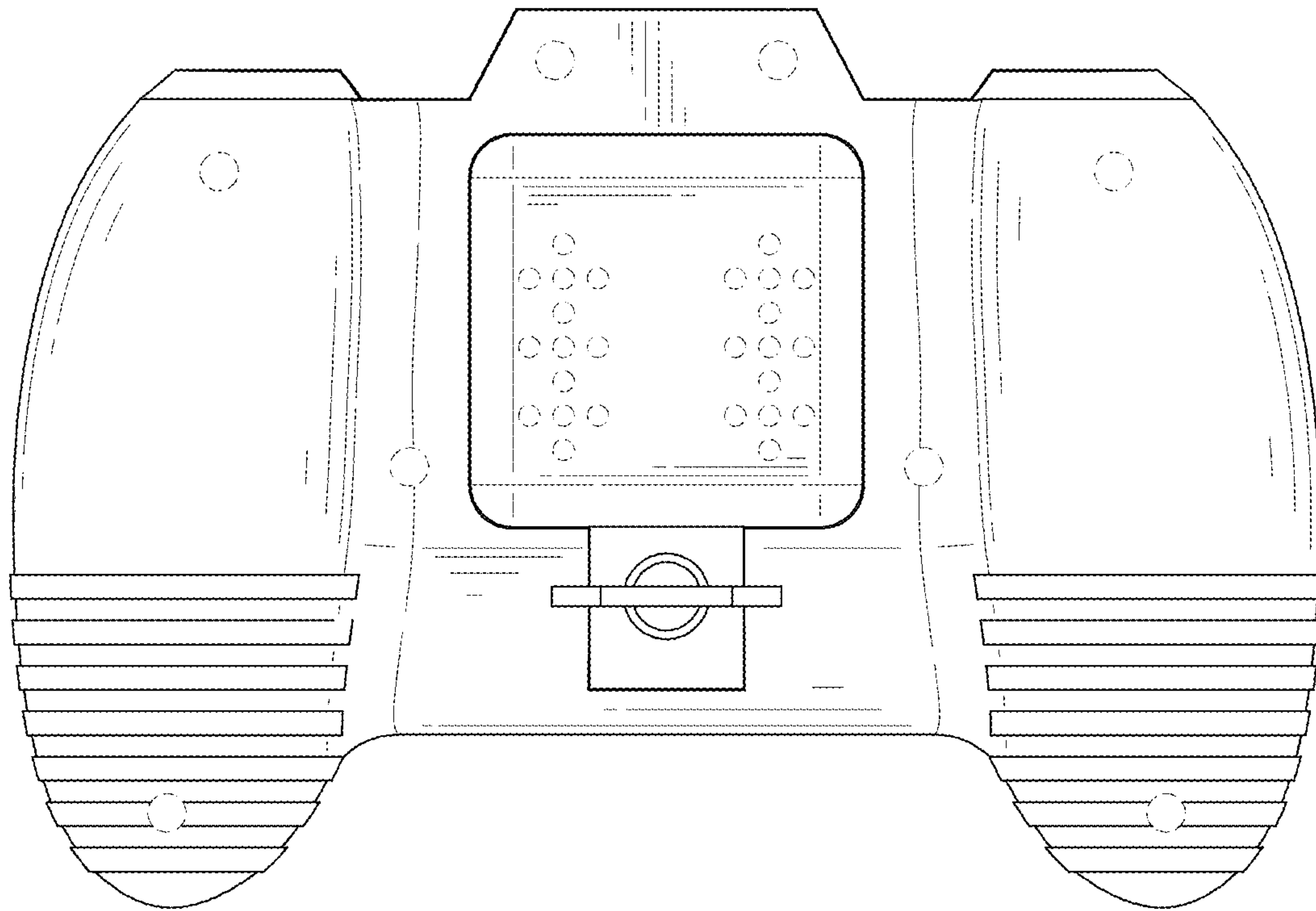


FIG. 4

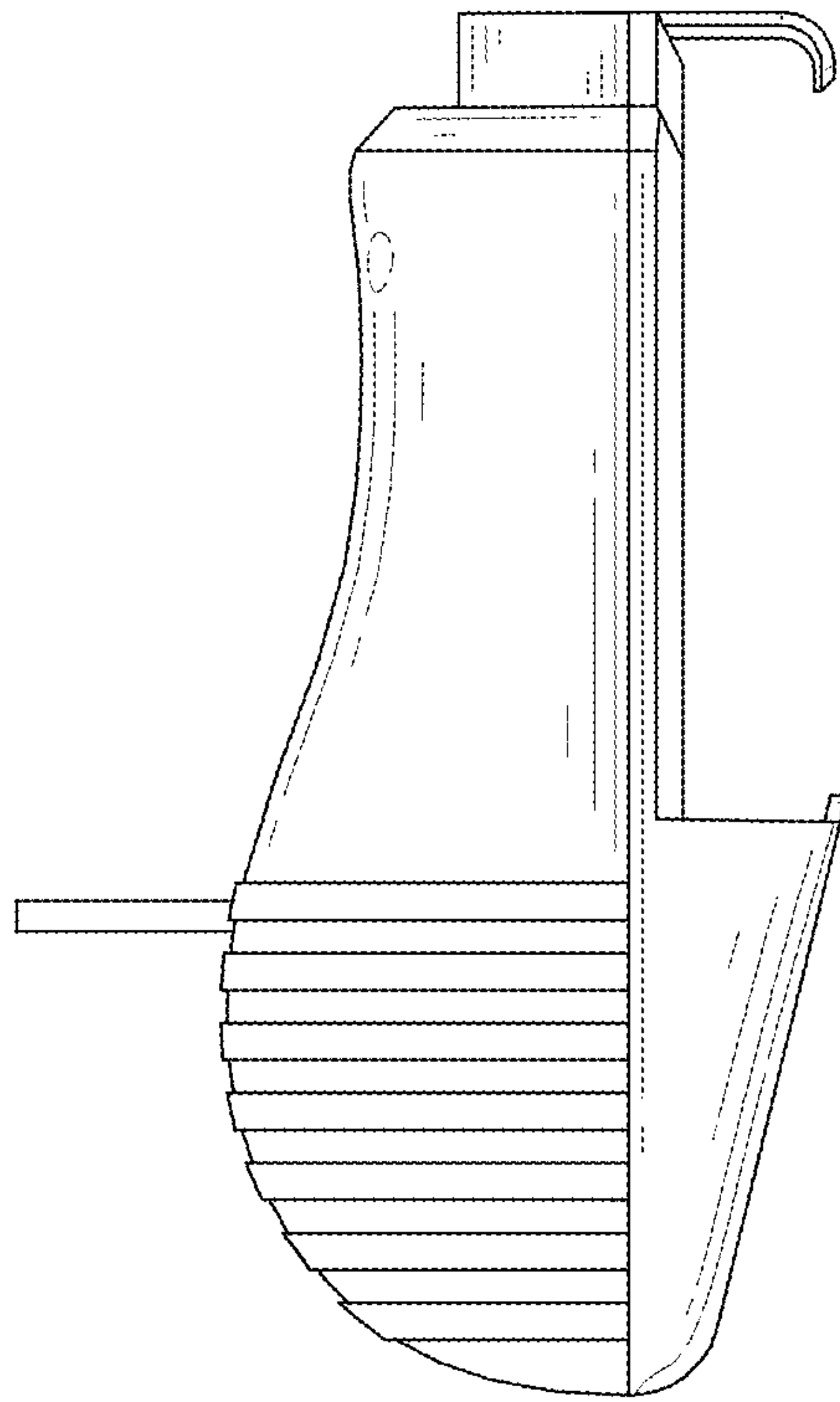


FIG. 5

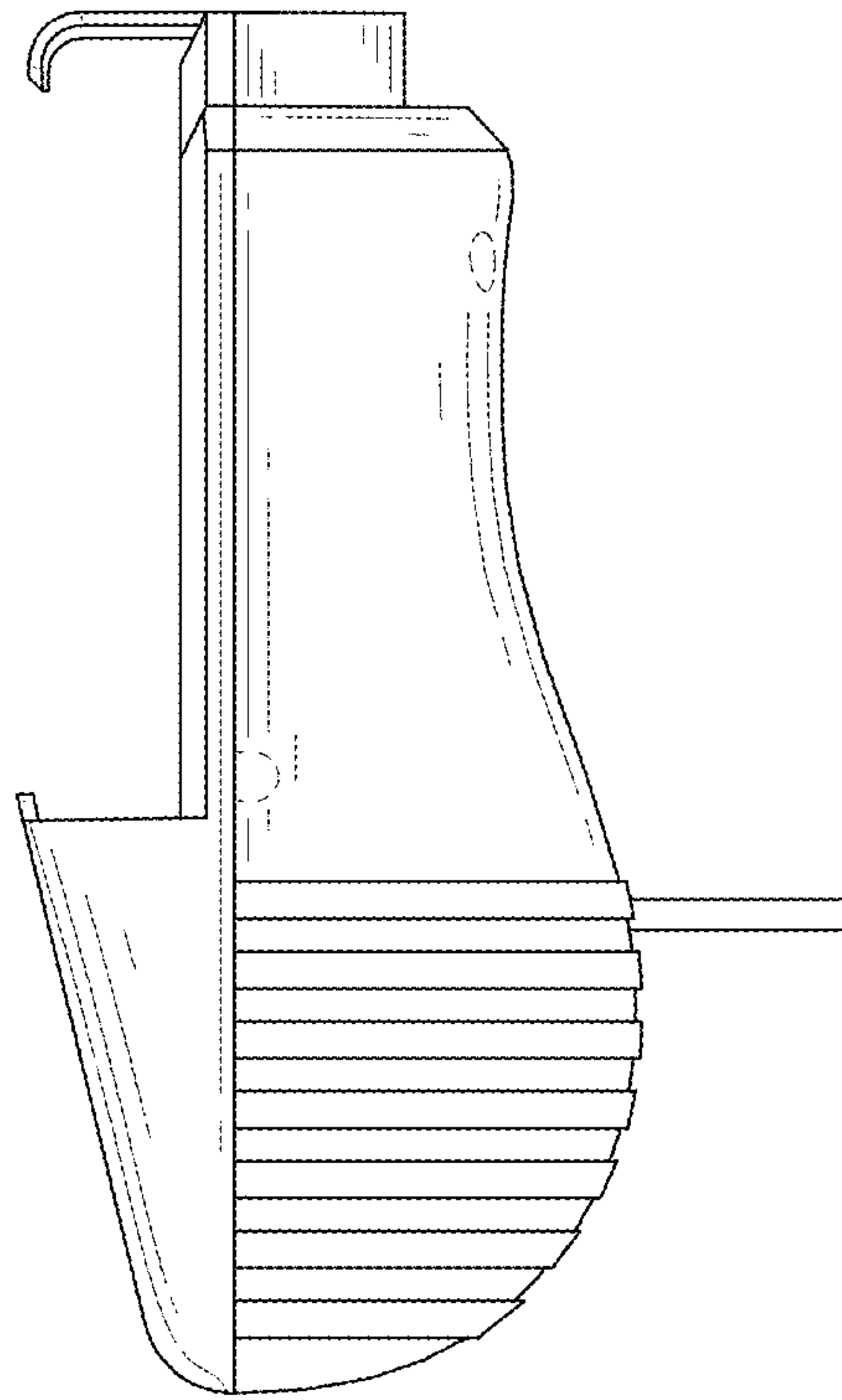


FIG. 6

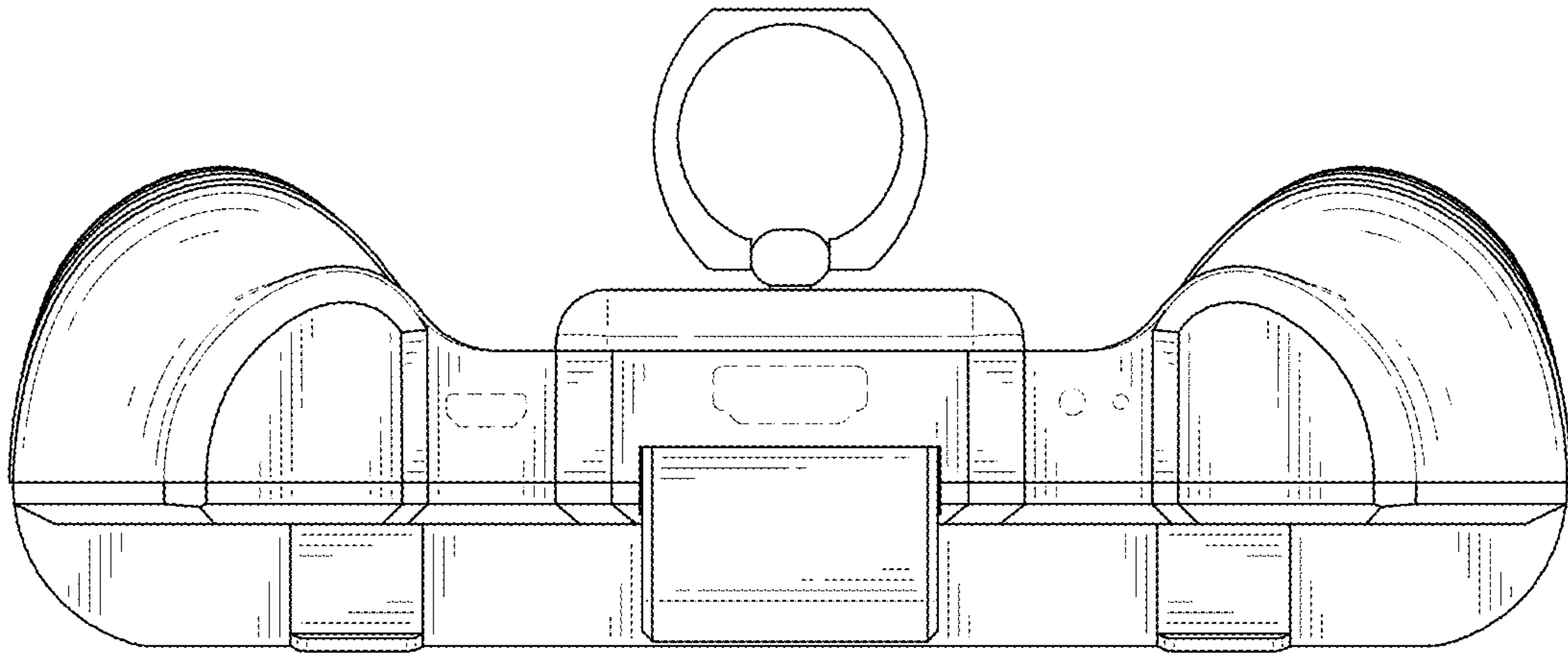


FIG. 7

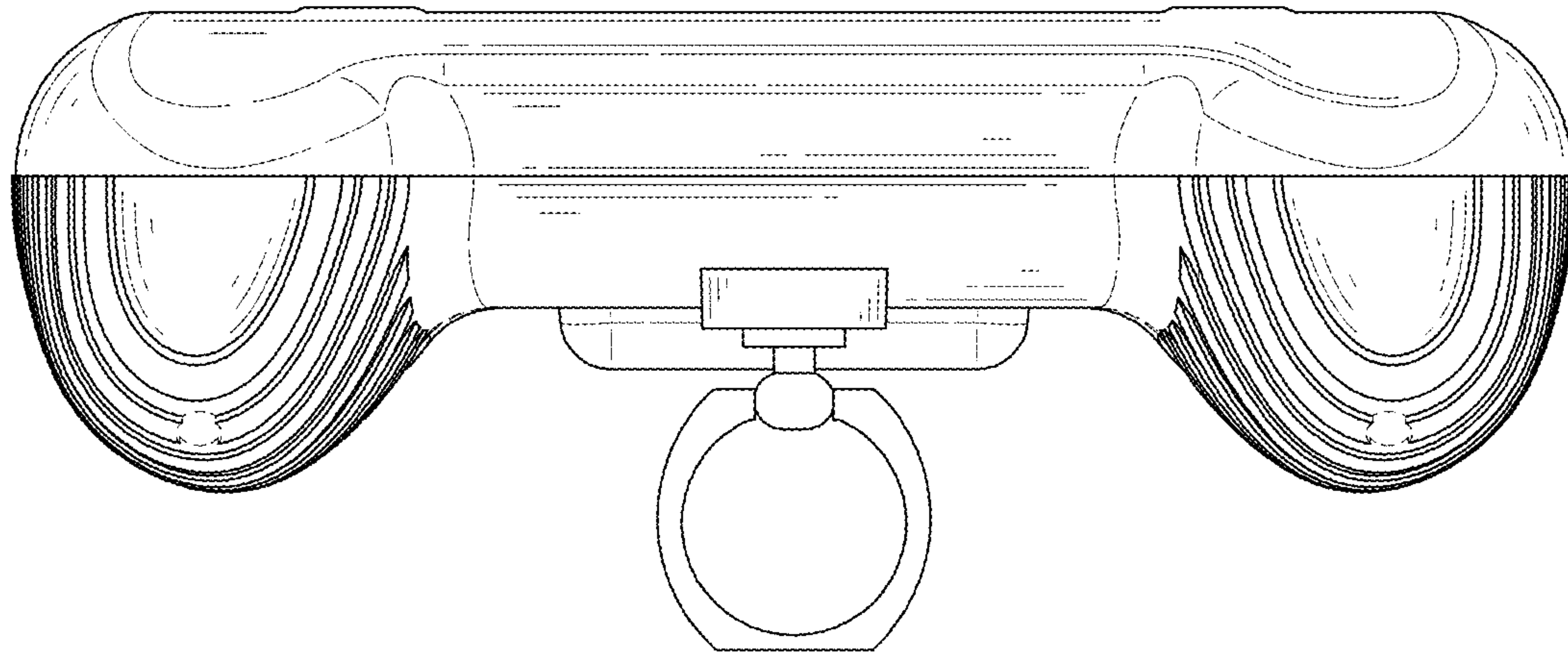


FIG. 8