



US00D893626S

(12) **United States Design Patent** (10) **Patent No.:** **US D893,626 S**
Lin (45) **Date of Patent:** **** Aug. 18, 2020**

(54) **PEN CLIP**
(71) Applicant: **Aquarry Technology Inc.**, New Taipei (TW)
(72) Inventor: **Chen-Heng Lin**, New Taipei (TW)
(73) Assignee: **Aquarry Technology Inc.**, New Taipei (TW)
(**) Term: **15 Years**
(21) Appl. No.: **29/682,396**
(22) Filed: **Mar. 5, 2019**
(51) **LOC (12) Cl.** **19-06**
(52) **U.S. Cl.**
USPC **D19/197**
(58) **Field of Classification Search**
USPC D19/115-204; D14/411
CPC . B43K 5/005; B43K 7/12; B43K 8/04; B43K 8/06; B43K 21/006; B43K 21/06
See application file for complete search history.

5,897,266 A * 4/1999 Robert B43K 29/02 401/202
D446,547 S * 8/2001 Nagel D19/197
D508,264 S * 8/2005 Losel D19/175
D552,681 S * 10/2007 Koch D19/173
D571,400 S * 6/2008 Anand D19/174
D594,059 S * 6/2009 Shibata D19/173
D642,621 S * 8/2011 Keum D19/197
D647,964 S * 11/2011 Wang D19/167
D650,012 S * 12/2011 Losel D19/175
D663,770 S * 7/2012 Koch D19/173
D694,328 S * 11/2013 Mao D19/170
D715,311 S * 10/2014 Briggl D14/480.3
D732,112 S * 6/2015 Murphy, Jr. D19/197
D745,090 S * 12/2015 Cheng D19/196

* cited by examiner
Primary Examiner — Elizabeth A. Albert
(74) *Attorney, Agent, or Firm* — Thomas J. Nikolai; DeWitt LLP

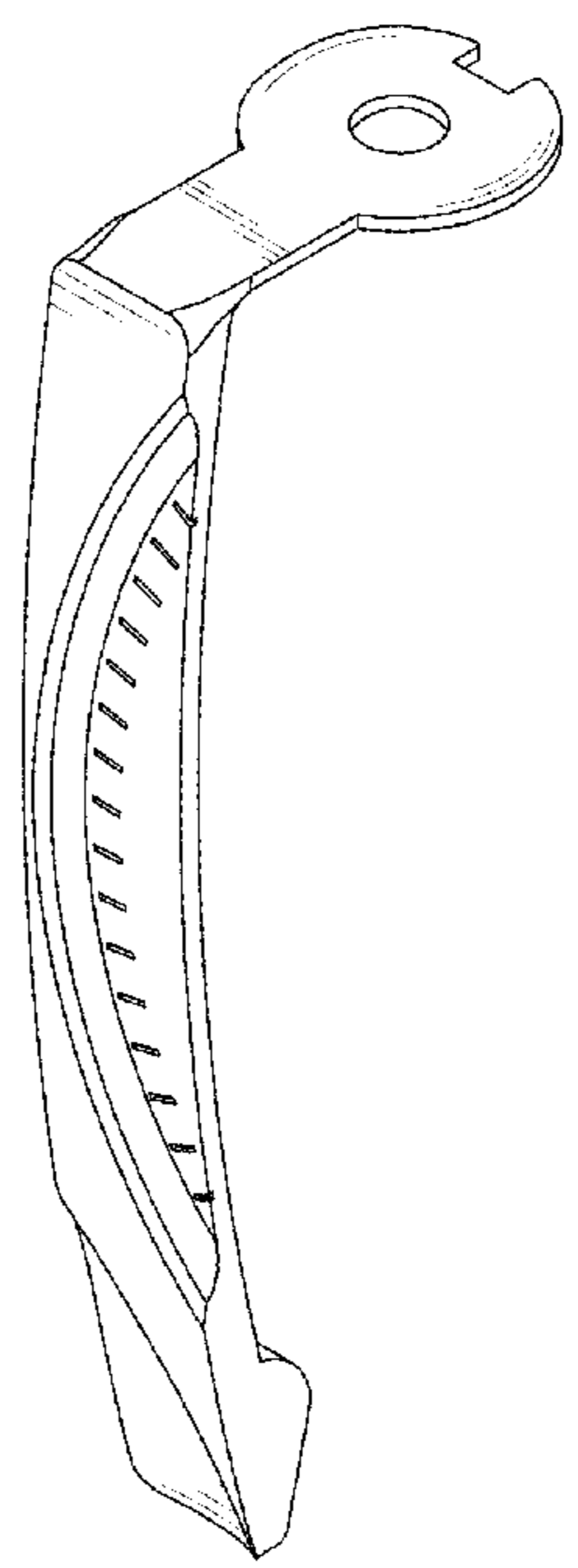
(57) **CLAIM**
The ornamental design for a pen clip, as shown and described.

DESCRIPTION

FIG. 1 is a perspective view of a pen clip showing my new design;
FIG. 2 is a front elevation view thereof;
FIG. 3 is a rear elevation view thereof;
FIG. 4 is a left side elevation view thereof;
FIG. 5 is a right side elevation view thereof;
FIG. 6 is a top plan view thereof;
FIG. 7 is a bottom plan view thereof; and,
FIG. 8 is another perspective view thereof.
The broken lines shown are included for the purpose of illustrating environment of the article and form no part of the claimed design.

1 Claim, 8 Drawing Sheets

(56) **References Cited**
U.S. PATENT DOCUMENTS
D123,293 S * 10/1940 Kahn D19/197
2,489,144 A * 11/1949 Lanoie B43K 25/022 24/11 F
D169,456 S * 4/1953 Rhoades D19/197
D190,538 S * 6/1961 Burnham D19/197
D192,836 S * 5/1962 Zierhut D19/197
3,326,189 A * 6/1967 Baer B43K 24/08 401/105
D219,248 S * 11/1970 Zierhut D19/197
D257,181 S * 9/1980 Brown D19/123
D258,220 S * 2/1981 Oka D19/197
D319,845 S * 9/1991 Grotsch D19/175



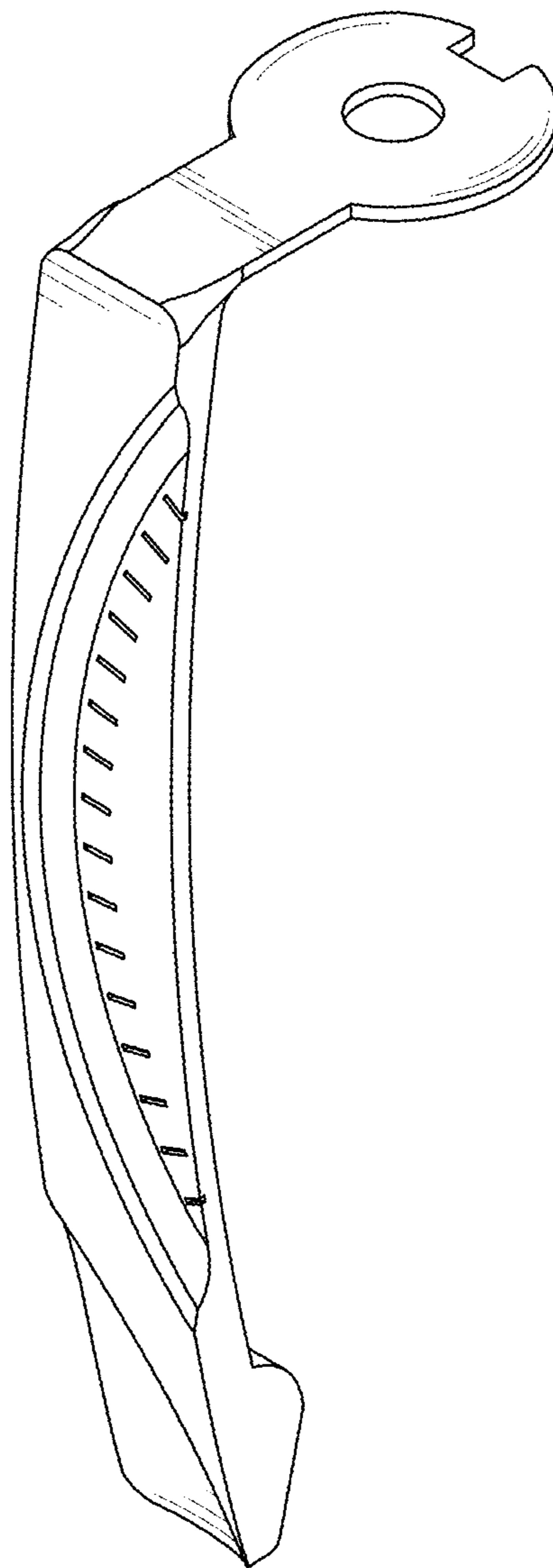


FIG. 1

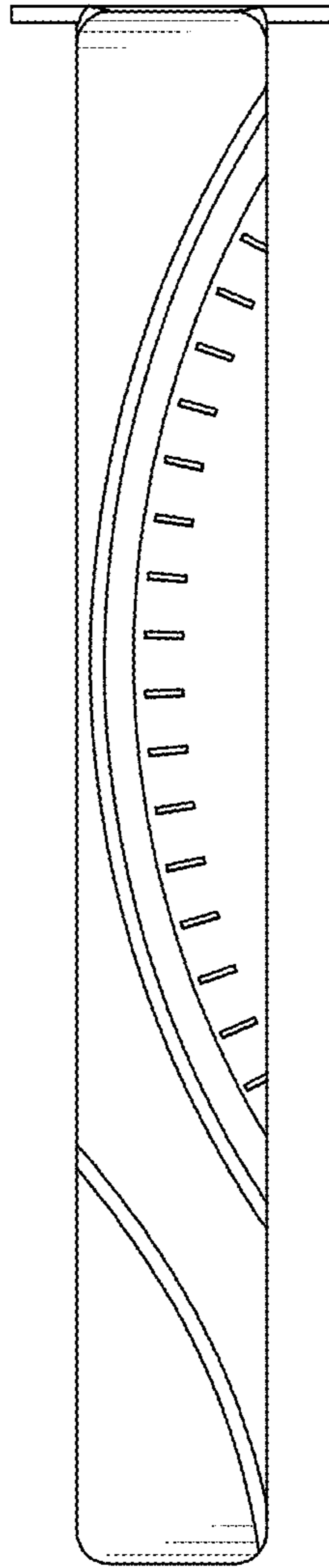


FIG. 2

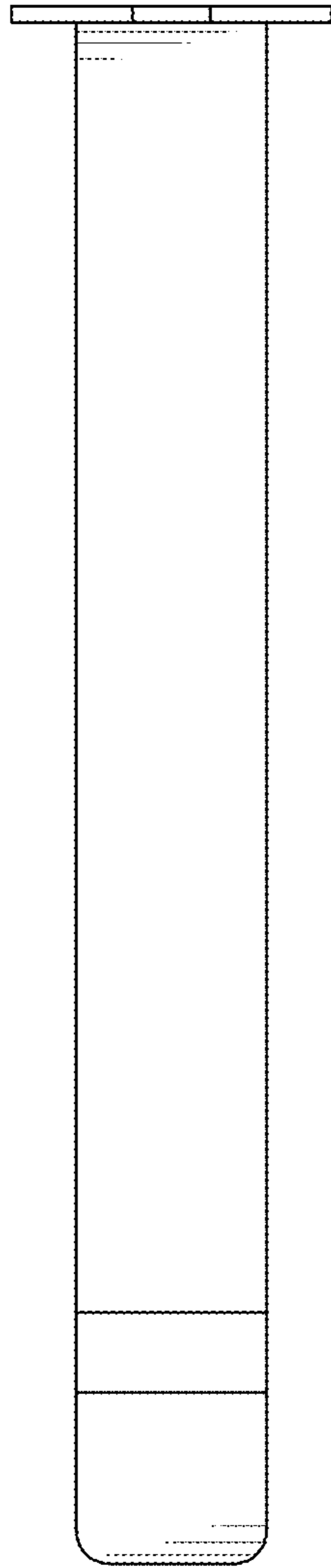


FIG. 3

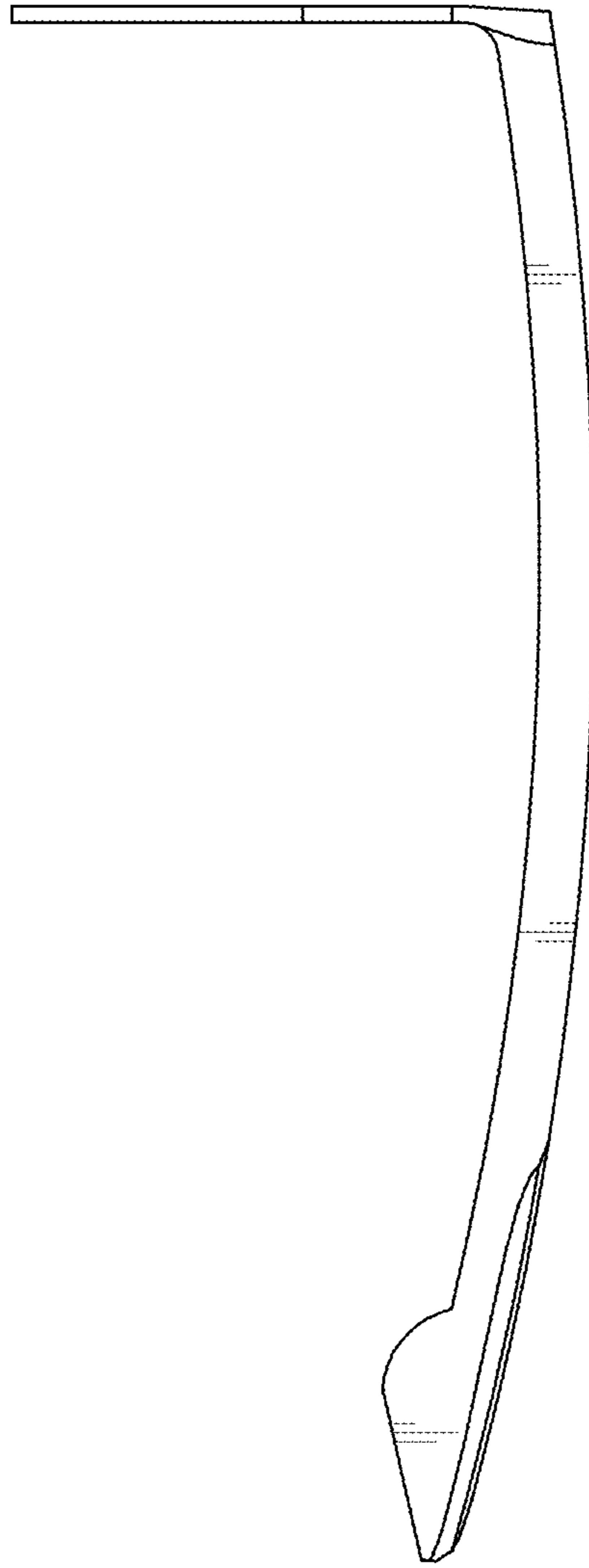


FIG. 4



FIG. 5

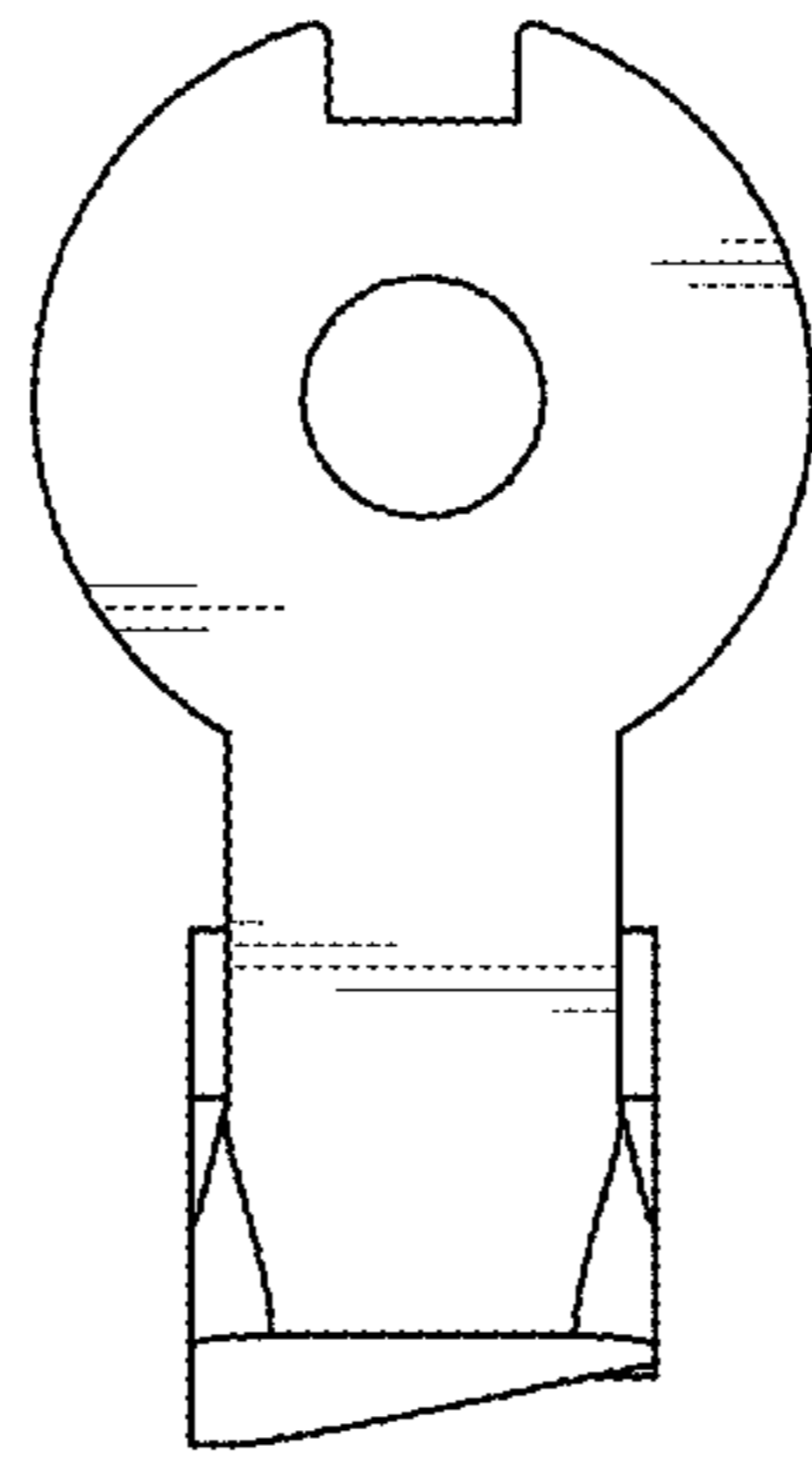


FIG. 6

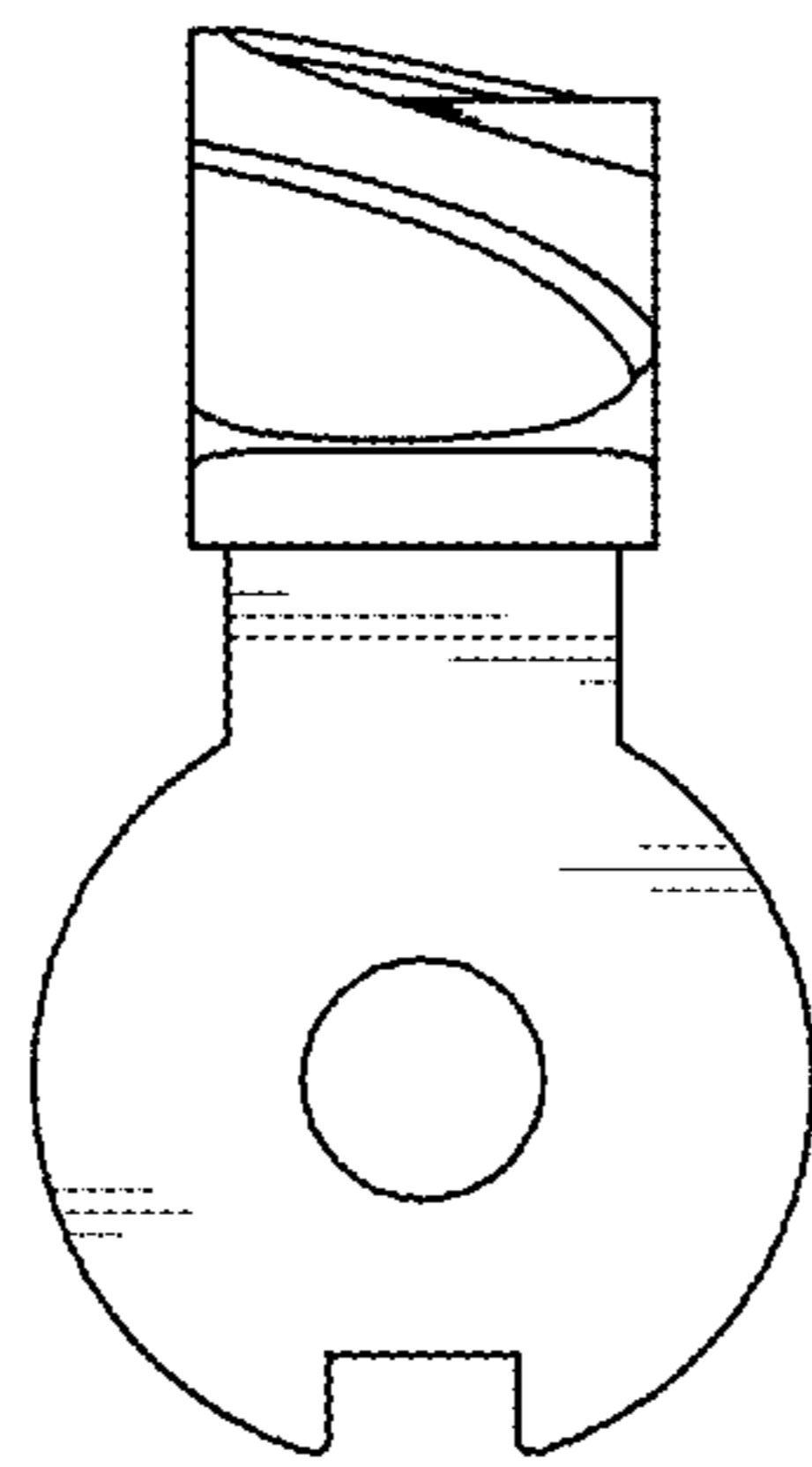


FIG. 7

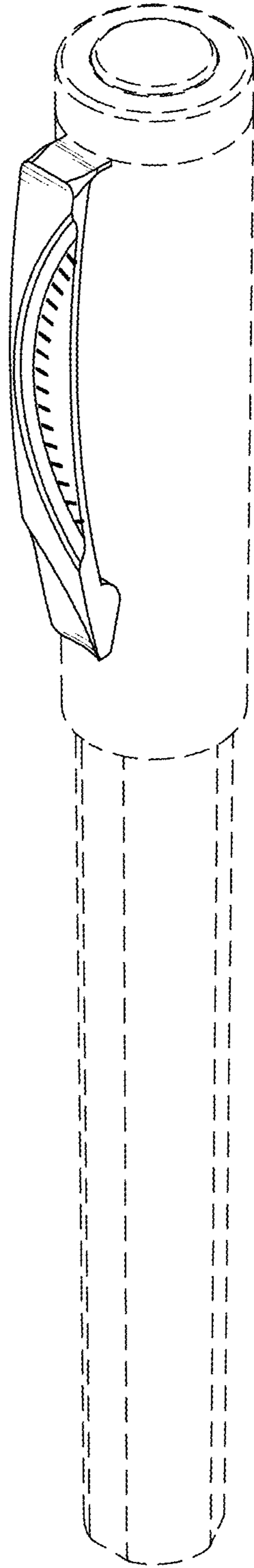


FIG. 8