

US00D893625S

(12) **United States Design Patent**  
**Smith**

(10) **Patent No.:** **US D893,625 S**

(45) **Date of Patent:** **\*\* Aug. 18, 2020**

(54) **INK REFILL CARTRIDGE FOR WRITING INSTRUMENT**

(71) Applicant: **Howard H. Smith**, San Diego, CA (US)

(72) Inventor: **Howard H. Smith**, San Diego, CA (US)

(\*\*) Term: **15 Years**

(21) Appl. No.: **29/679,284**

(22) Filed: **Feb. 4, 2019**

(51) **LOC (12) Cl.** ..... **19-06**

(52) **U.S. Cl.**  
USPC ..... **D19/190**; D19/186; D19/915

(58) **Field of Classification Search**  
USPC ..... D19/115-204; D14/411  
CPC . B43K 5/005; B43K 7/12; B43K 8/04; B43K 8/06; B43K 21/006; B43K 21/06  
See application file for complete search history.

(56) **References Cited**

U.S. PATENT DOCUMENTS

- 833,744 A \* 10/1906 Koehler ..... B43K 23/10  
401/91
- D177,660 S \* 5/1956 Blish ..... D19/202
- 2,813,513 A \* 11/1957 Seyer ..... B43K 1/08  
401/215
- 2,864,367 A \* 12/1958 Mende ..... A61M 31/00  
604/212
- 3,217,369 A \* 11/1965 Simon ..... B43K 25/024  
24/10 R
- 5,190,388 A \* 3/1993 Lee ..... B43K 29/00  
40/334
- D344,288 S \* 2/1994 Dodson ..... 401/131
- D364,186 S \* 11/1995 Kuo ..... D19/175
- 6,138,688 A \* 10/2000 Lombardi, Jr. .... A45D 40/18  
132/297

- 6,419,413 B1 \* 7/2002 Oliver ..... B43K 23/02  
211/69.8
- 6,910,821 B1 6/2005 Smith
- D597,547 S 8/2009 Smith
- D610,145 S 2/2010 Smith
- D617,833 S \* 6/2010 Park ..... D19/186
- D653,041 S \* 1/2012 Henry ..... D6/300
- D664,892 S \* 8/2012 Crye ..... D11/222
- D670,700 S \* 11/2012 Halsinger ..... D14/411
- D712,151 S \* 9/2014 Tong ..... D3/318
- D713,883 S \* 9/2014 Puglisi ..... D19/192
- D717,153 S \* 11/2014 Sadler ..... D8/330
- 9,539,848 B2 \* 1/2017 Bez ..... B43K 7/12
- D826,940 S \* 8/2018 Nishizawa ..... D14/411
- D835,106 S \* 12/2018 Hsu ..... D14/411
- D851,087 S \* 6/2019 Nishizawa ..... D14/411
- 10,569,596 B2 \* 2/2020 Ikai ..... B43K 27/003

\* cited by examiner

*Primary Examiner* — Elizabeth A. Albert

(74) *Attorney, Agent, or Firm* — Wagenknecht IP Law Group, PC

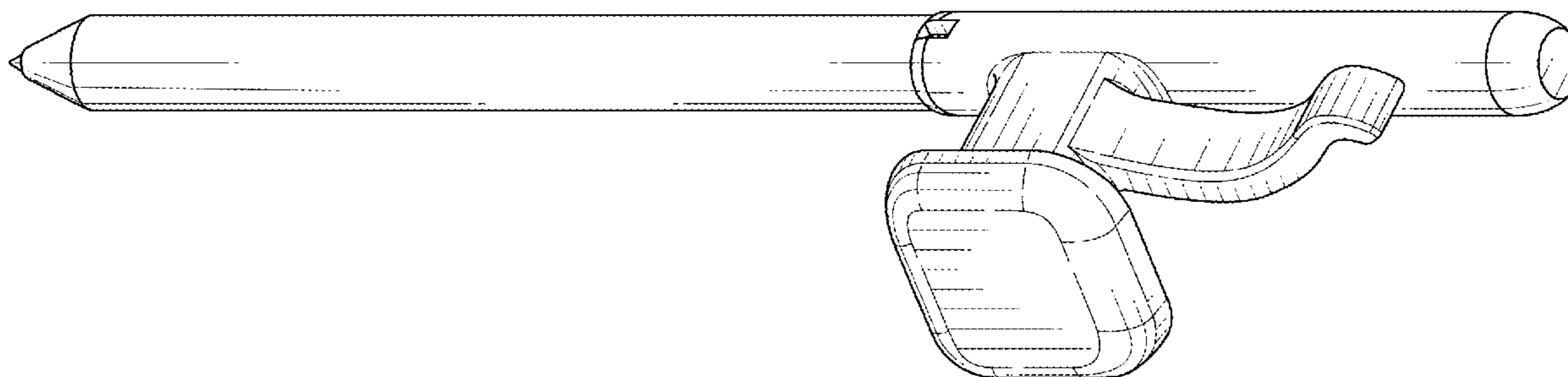
(57) **CLAIM**

I claim an ornamental design for an ink refill cartridge for writing instrument, as shown and described.

**DESCRIPTION**

FIG. 1 is a top, left, rear perspective view of an ink refill cartridge for writing instrument showing my new design; FIG. 2 is a left side elevational view thereof; FIG. 3 is a right side elevational view thereof; FIG. 4 is a top plan view thereof; FIG. 5 is a bottom plan view thereof; FIG. 6 is a rear elevational view thereof; FIG. 7 is a front elevational view thereof; and, FIG. 8 is a bottom, left, rear perspective view of thereof.

**1 Claim, 5 Drawing Sheets**



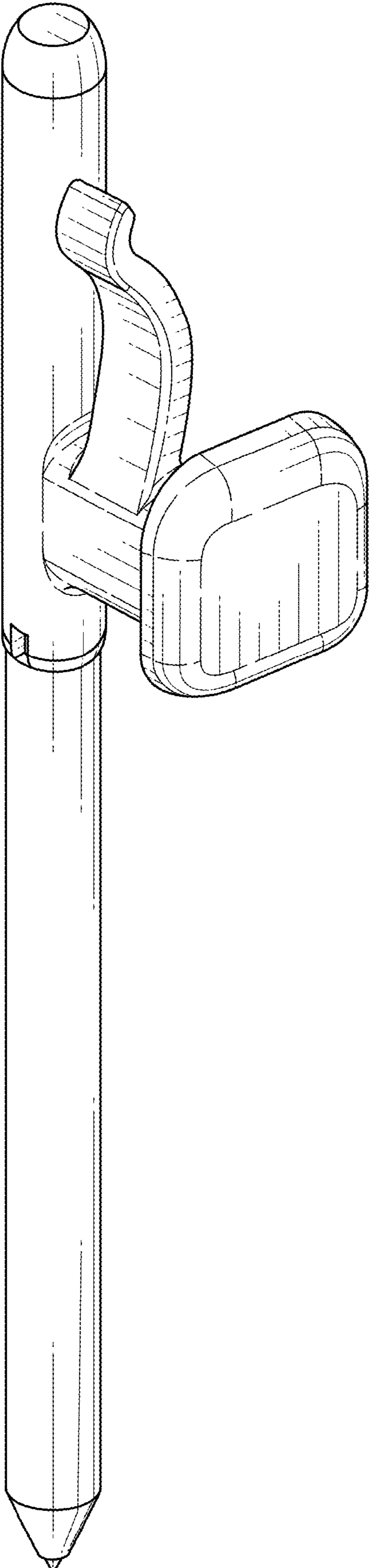


FIG. 1

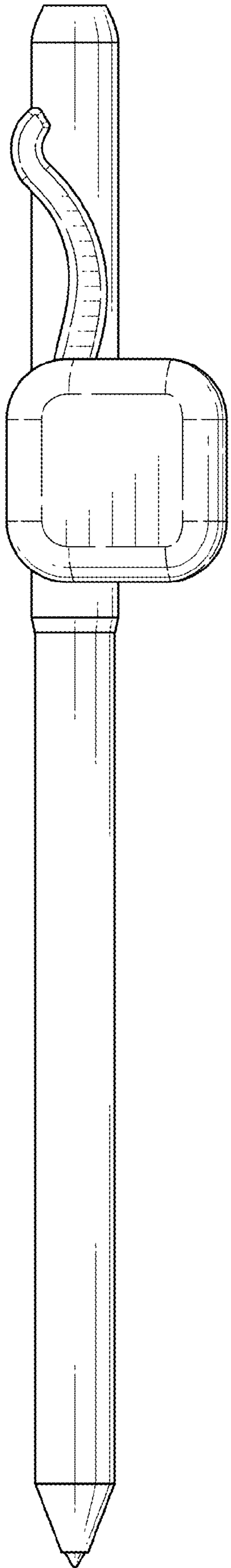


FIG. 2

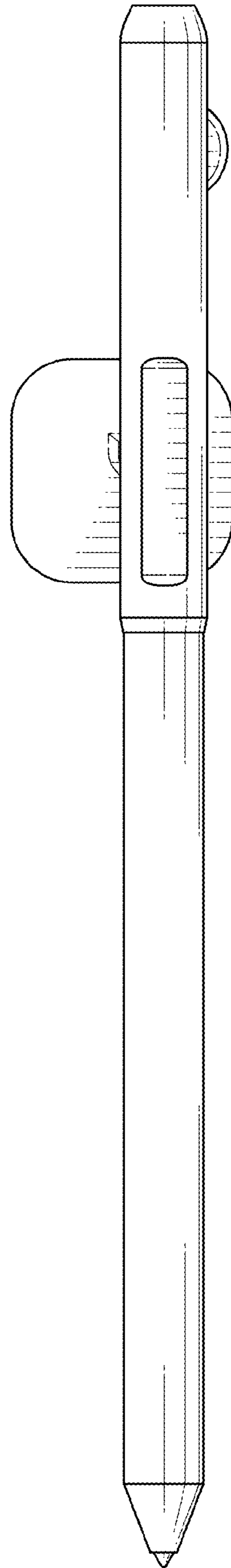


FIG. 3

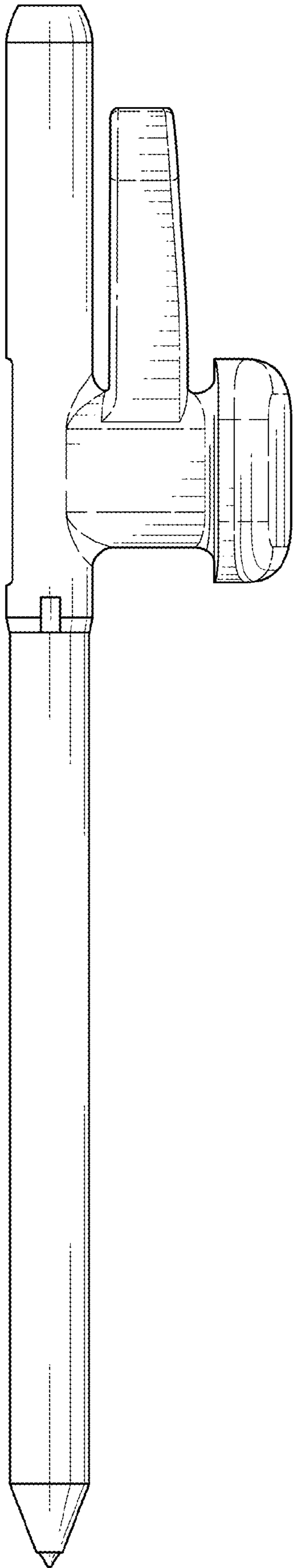


FIG. 4

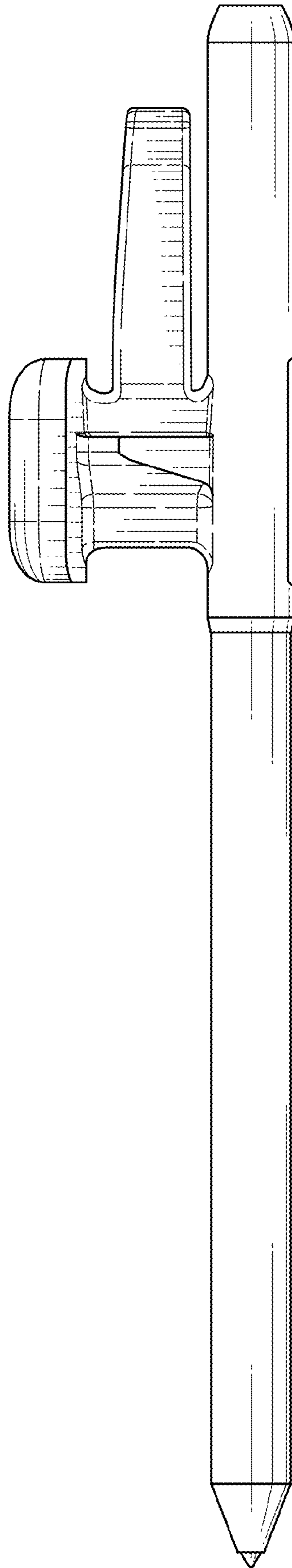


FIG. 5

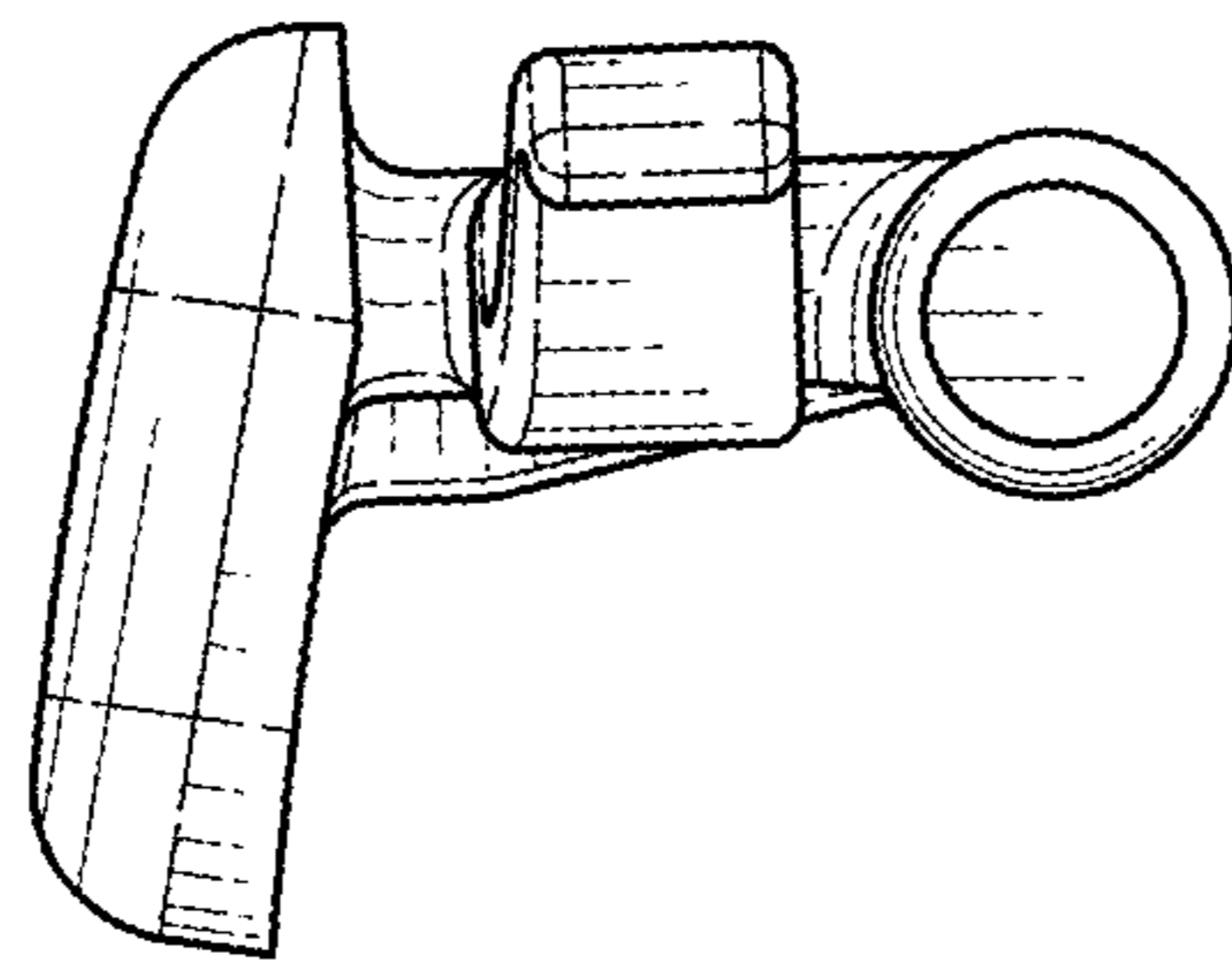


FIG. 6

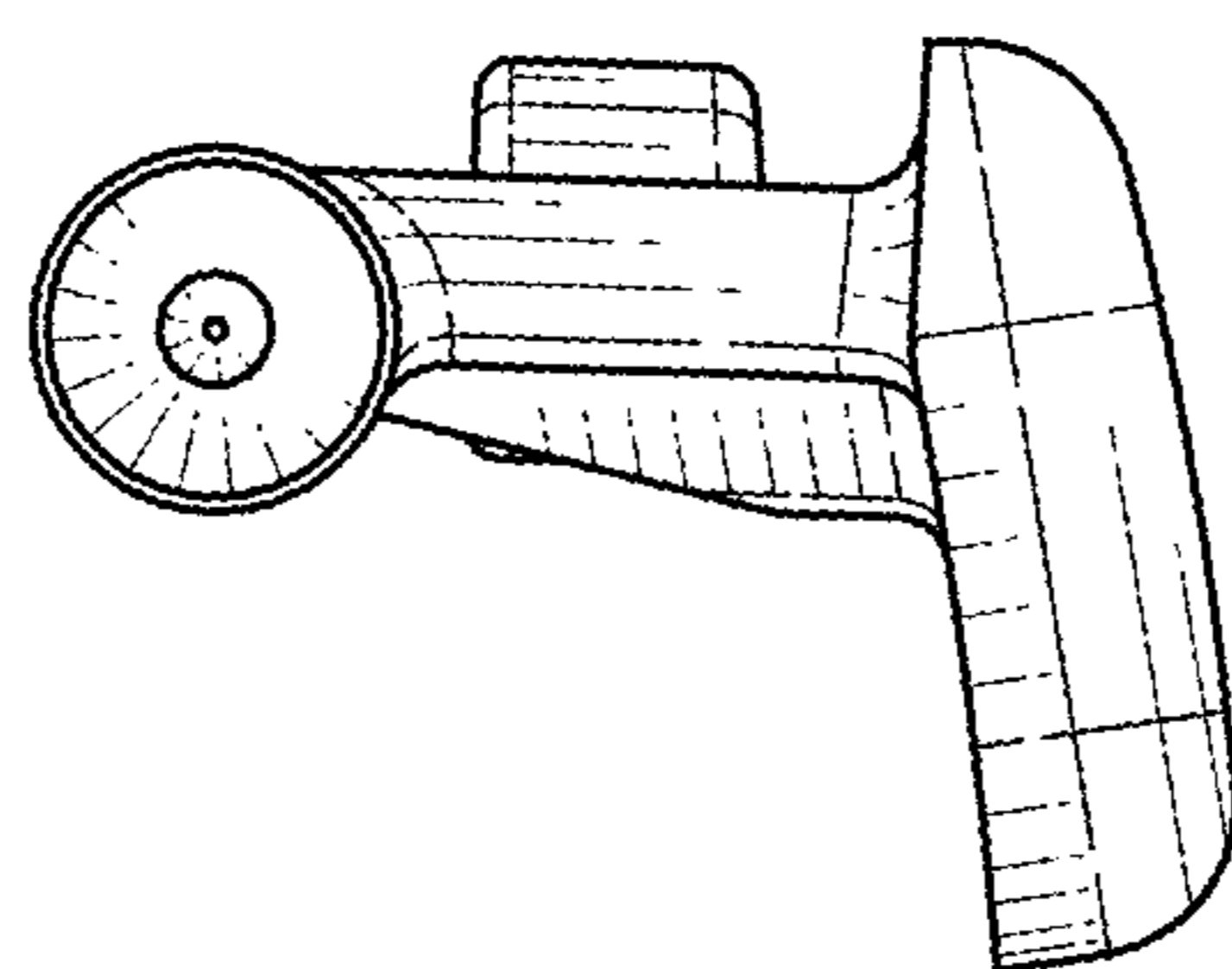


FIG. 7

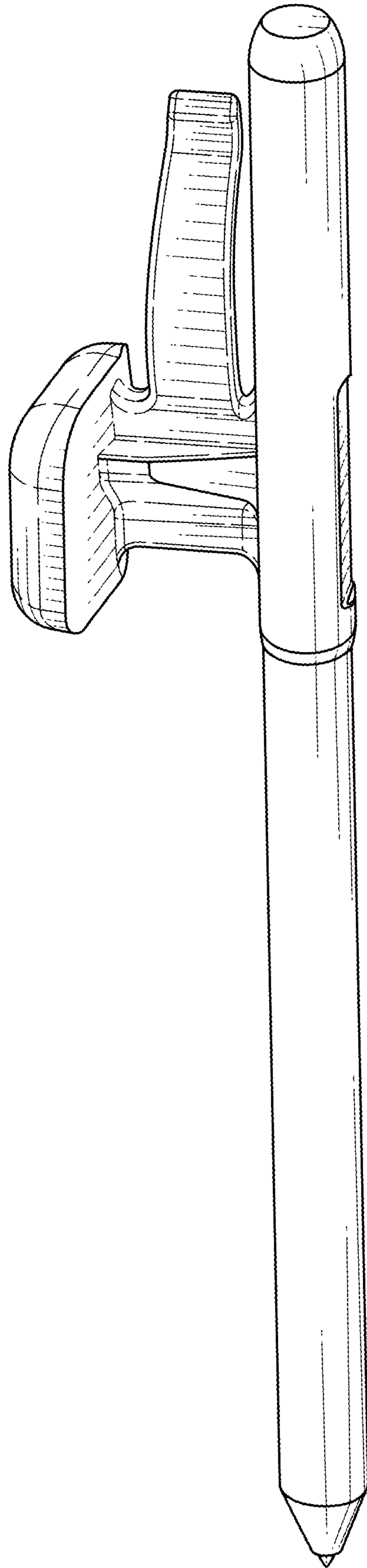


FIG. 8