



US00D893624S

(12) **United States Design Patent**
Mckean

(10) **Patent No.:** **US D893,624 S**

(45) **Date of Patent:** **** Aug. 18, 2020**

(54) **CARD TRAY**

(71) Applicant: **David Mckean**, Phelan, CA (US)

(72) Inventor: **David Mckean**, Phelan, CA (US)

(**) Term: **15 Years**

(21) Appl. No.: **29/674,973**

(22) Filed: **Dec. 27, 2018**

(51) **LOC (12) Cl.** **19-02**

(52) **U.S. Cl.**
USPC **D19/92**

(58) **Field of Classification Search**

USPC D19/75-92, 99, 135; D3/206, 304, 306,
D3/310, 315; D6/675.5, 683, 683.1;
D7/631, 637-641; D9/427, 432, 611;
D14/253

CPC .. B43M 99/00; B43M 99/001; B43M 99/003;
B43M 99/006; B43M 99/007; B43M
99/008; B43M 99/009; B42D 3/12; B42D
3/16; B42D 3/18; B43K 23/001; B43K
23/002; A47B 55/00; A47B 63/00

See application file for complete search history.

(56) **References Cited**

U.S. PATENT DOCUMENTS

D112,771 S *	1/1939	Braun et al.	D19/92
2,901,120 A *	8/1959	Abrahamson	B42F 7/12 211/126.12
3,028,975 A *	4/1962	Bullock	B42F 7/12 211/126.5
3,482,708 A *	12/1969	Levit	A47B 87/0261 211/126.12
3,648,849 A *	3/1972	Harris	A47B 63/00 211/126.12
4,074,810 A *	2/1978	Juergens	B42F 7/12 211/11
D249,048 S *	8/1978	Drell	D19/92
4,253,402 A *	3/1981	Carrig	B43M 99/008 108/27

D259,428 S *	6/1981	Macowski	D19/92
D260,102 S *	8/1981	Evans	D19/92
D275,771 S *	10/1984	Evans	D18/49
D279,847 S *	7/1985	Hanover	D14/447
4,534,475 A *	8/1985	Mayo	B42F 7/12 211/126.12
D285,218 S *	8/1986	Mayo	D19/75
D288,784 S *	3/1987	Nathan	D3/304
D296,706 S *	7/1988	Evans	D19/92
D302,703 S *	8/1989	Foran	D19/92
D311,931 S *	11/1990	Evenson	D19/86
D327,503 S *	6/1992	Szablak	D19/86
D327,504 S *	6/1992	Breen	D19/86
D334,593 S *	4/1993	Evenson	D19/75
D335,505 S *	5/1993	Chan	D19/75
D348,694 S *	7/1994	Evenson	D19/86

(Continued)

Primary Examiner — Elizabeth A. Albert

(74) *Attorney, Agent, or Firm* — Gulick Law; Karima Gulick

(57) **CLAIM**

The ornamental design for a card tray, as shown and described.

DESCRIPTION

FIG. 1 is a perspective view of a card tray of the present invention;

FIG. 2 shows a perspective bottom view thereof;

FIG. 3 shows a top plan view thereof;

FIG. 4 shows a bottom plan view thereof;

FIG. 5 shows a front plan view thereof;

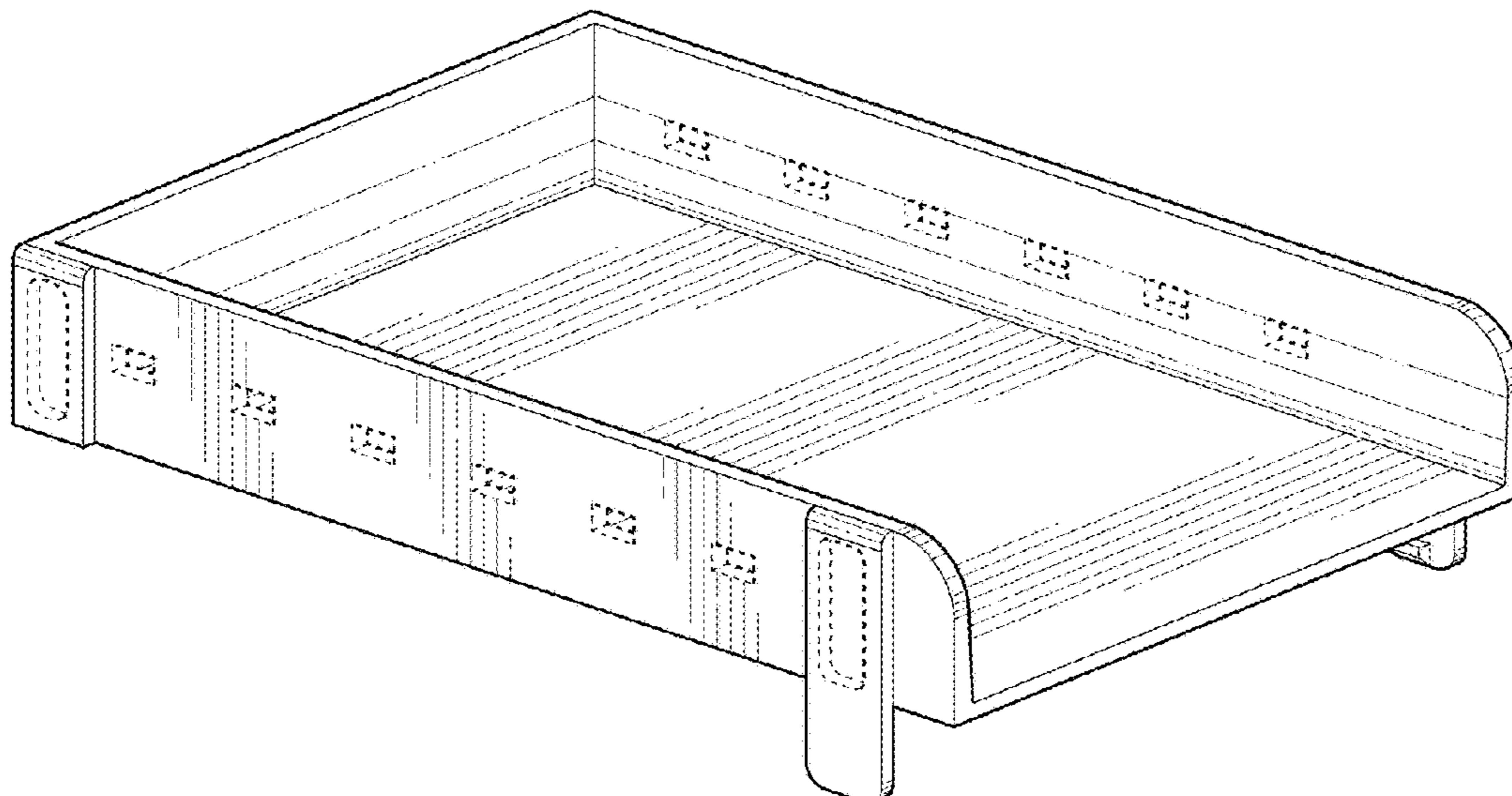
FIG. 6 shows a rear view thereof;

FIG. 7 shows a left side view thereof; and,

FIG. 8 shows a right side view thereof.

The broken lines of the figures showing additional portions of the card tray are included for the purpose of illustrating environmental structure and form no part of the claimed design.

1 Claim, 6 Drawing Sheets



(56)

References Cited

U.S. PATENT DOCUMENTS

5,363,974 A * 11/1994 Chan B42F 7/12
206/555
D366,170 S * 1/1996 Temple D19/92
5,733,025 A * 3/1998 Jesse, Sr. A47B 87/0253
312/223.3
D445,136 S * 7/2001 Saylor D19/86
D492,360 S * 6/2004 Hardy D19/92
D501,226 S * 1/2005 DeCarlo D19/86
D522,061 S * 5/2006 Chen D19/92
D523,088 S * 6/2006 Chien D19/92
D573,654 S * 7/2008 Hardy D19/92
D665,847 S * 8/2012 Tsai D19/92
D780,848 S * 3/2017 Greenspon D19/92

* cited by examiner

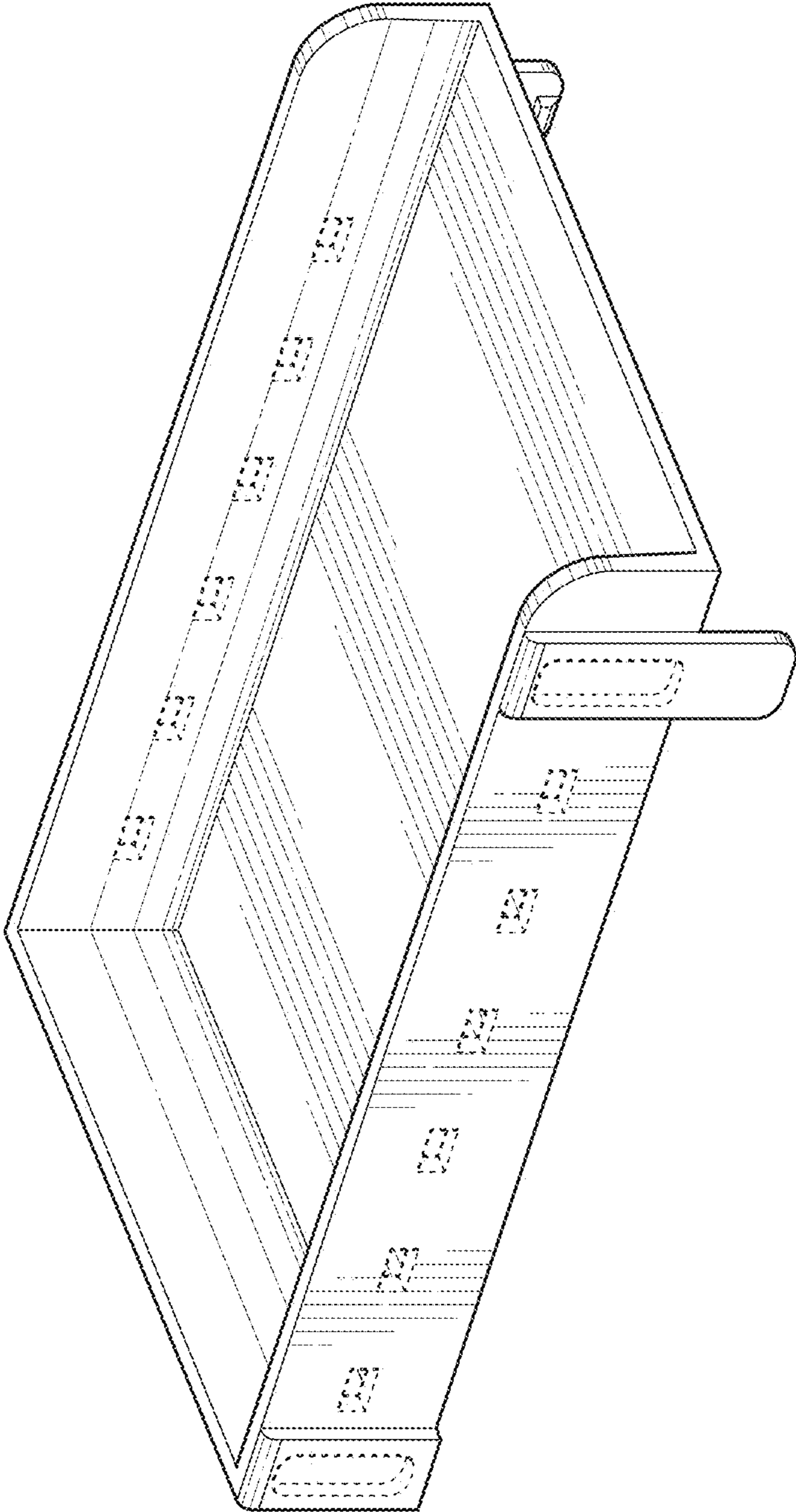


FIG. 1

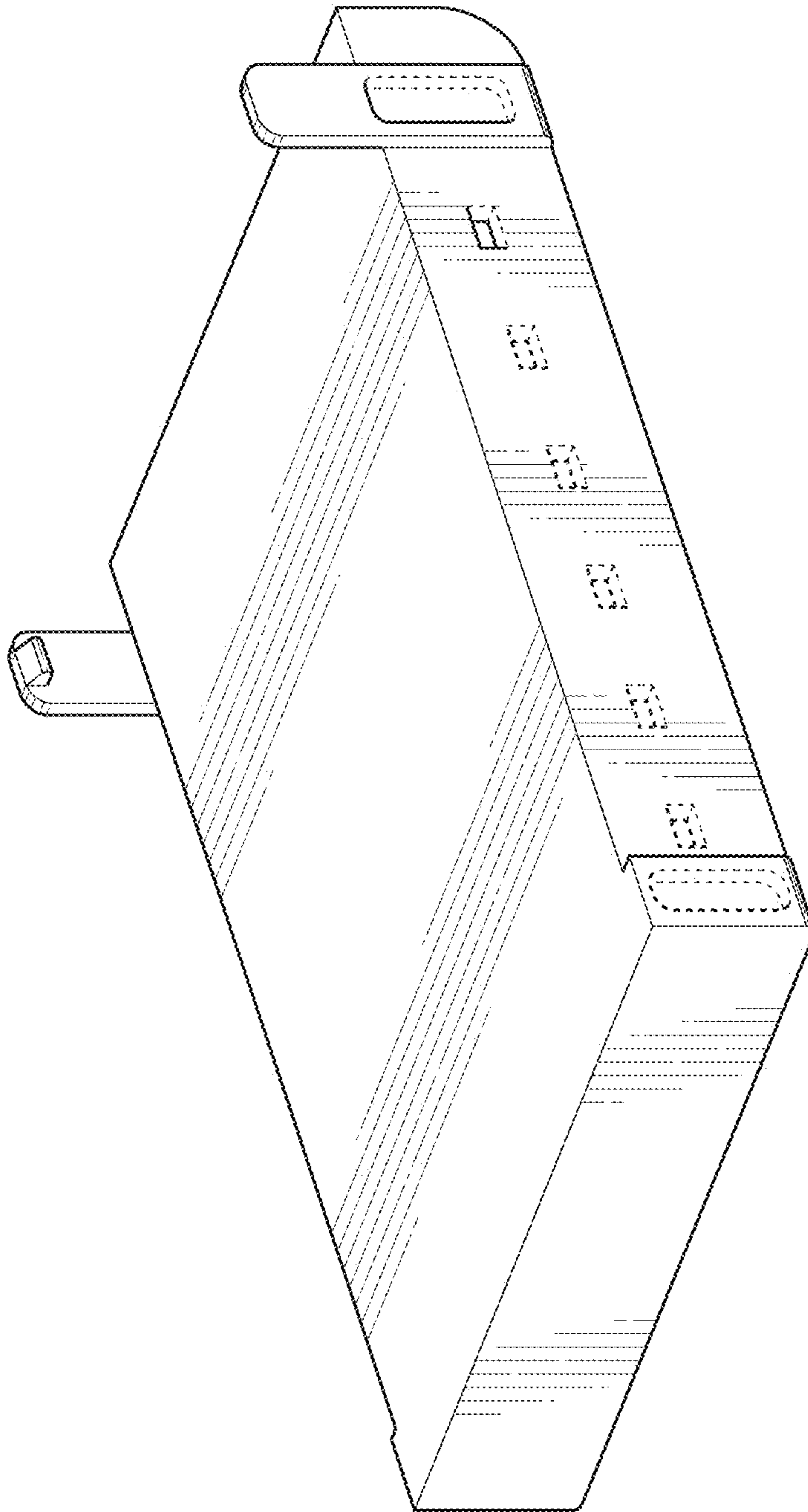


FIG. 2

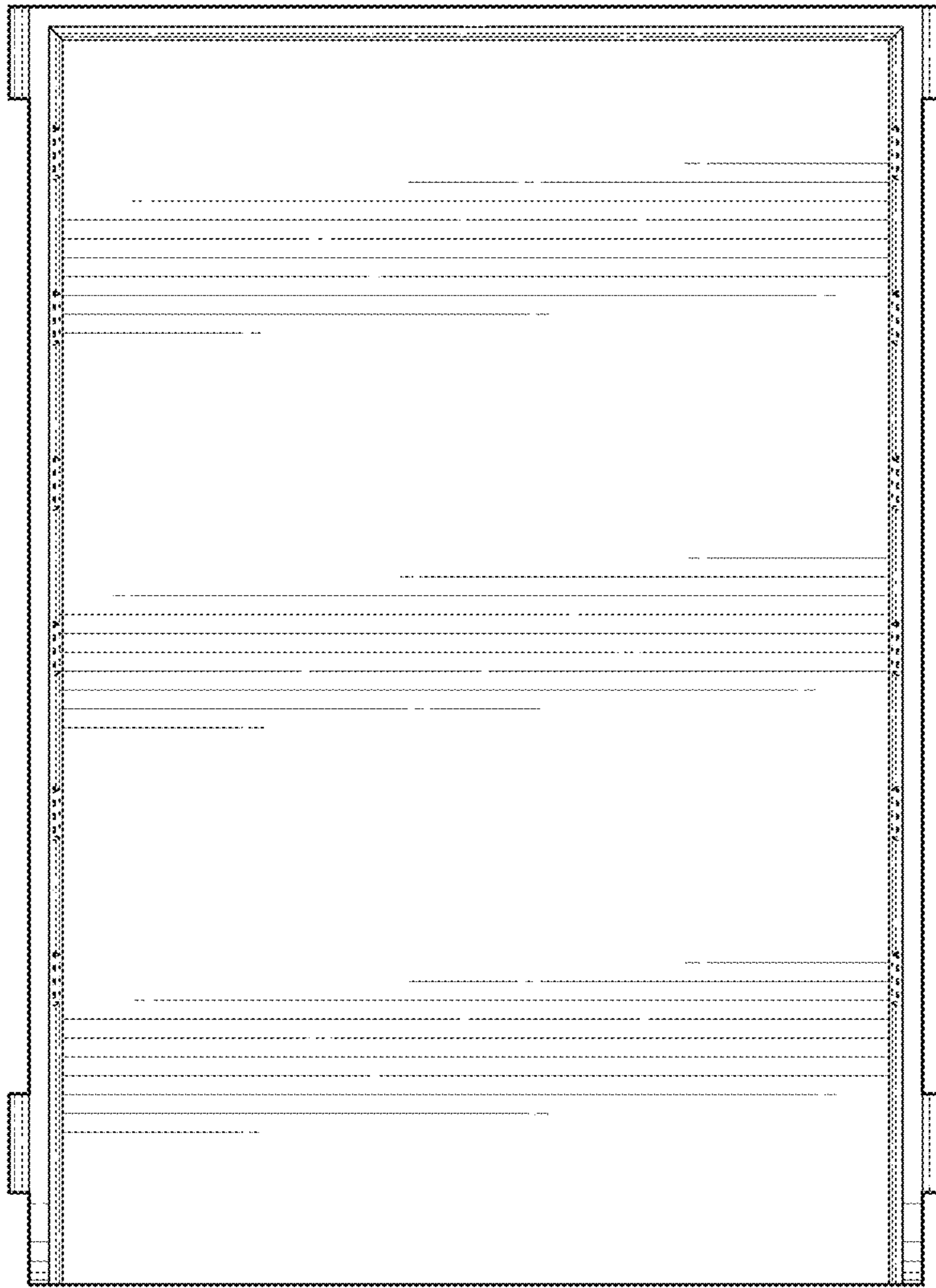


FIG. 3

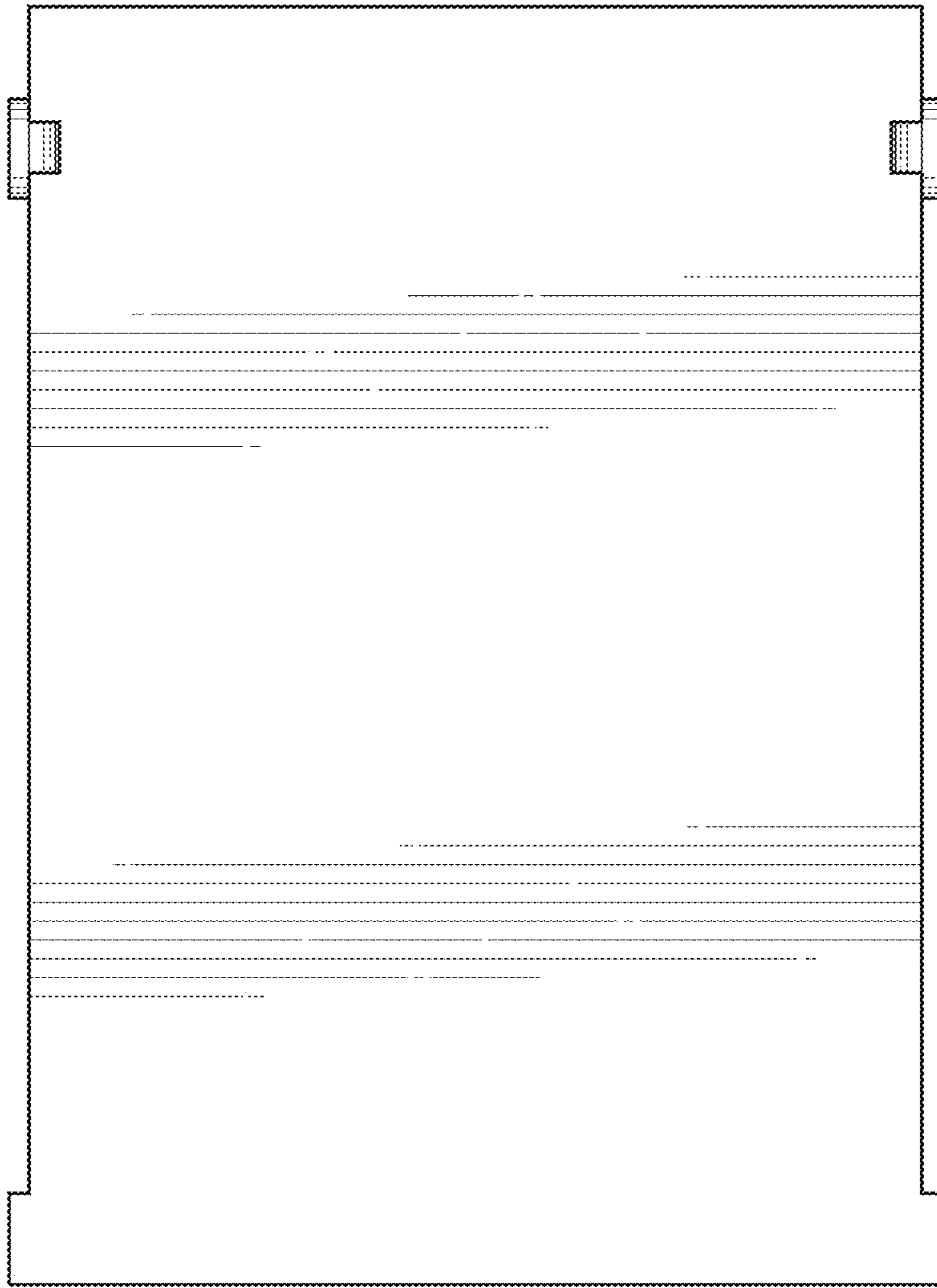


FIG. 4

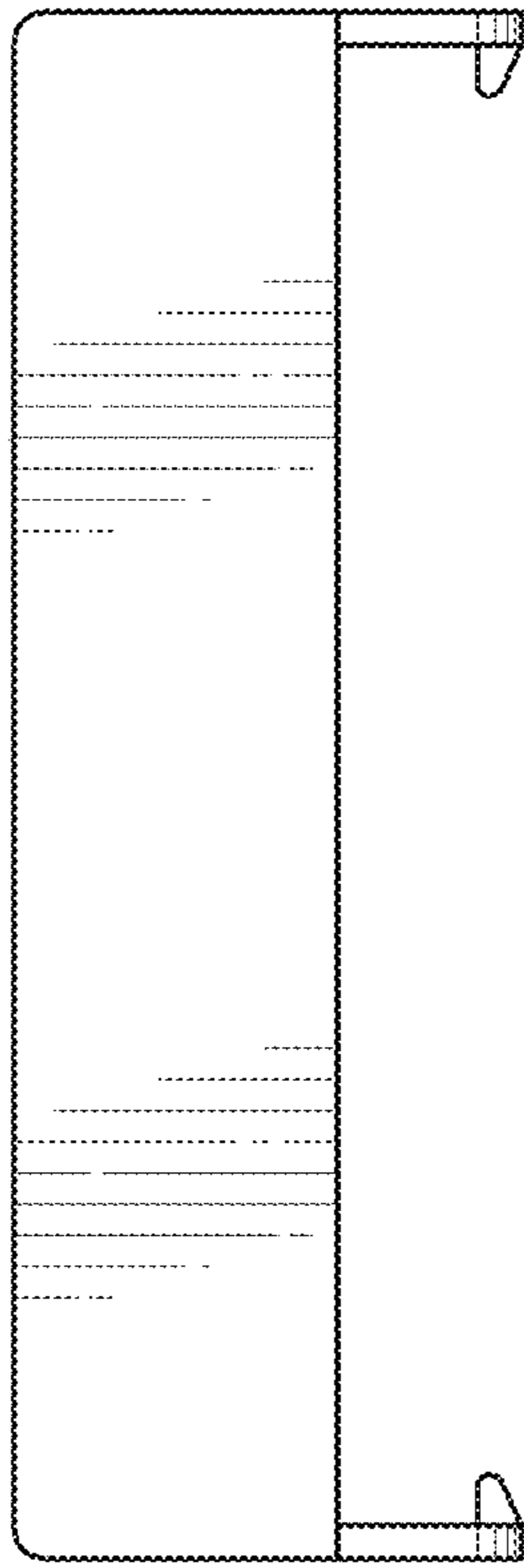


FIG. 5

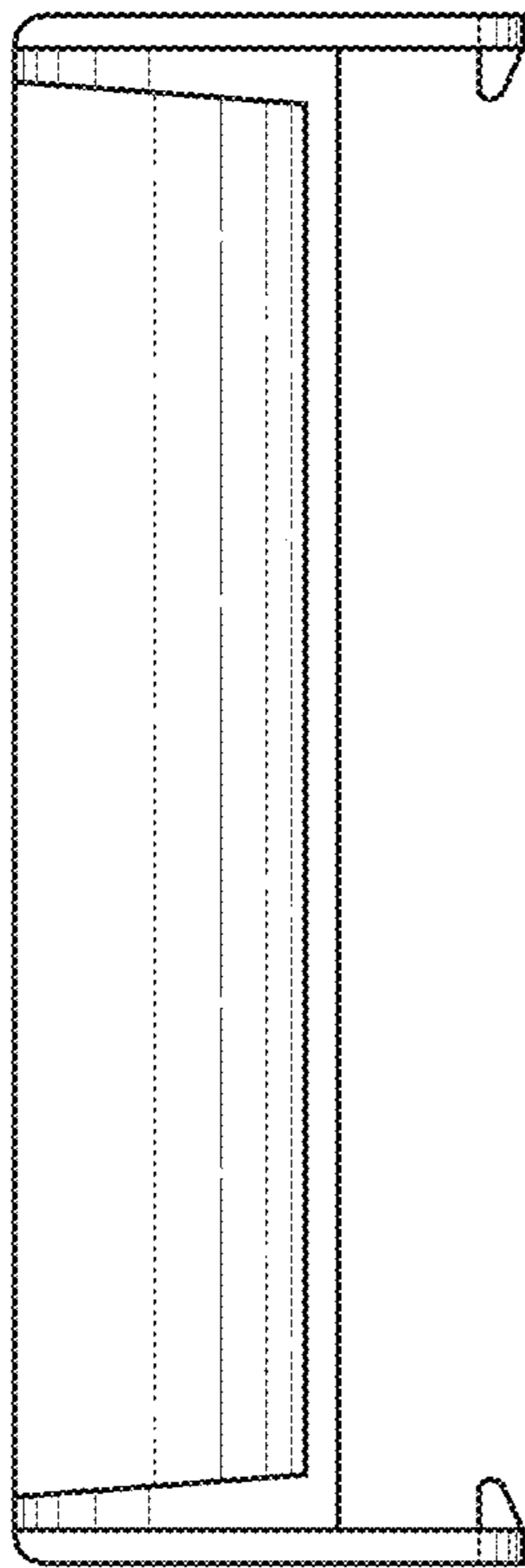


FIG. 6

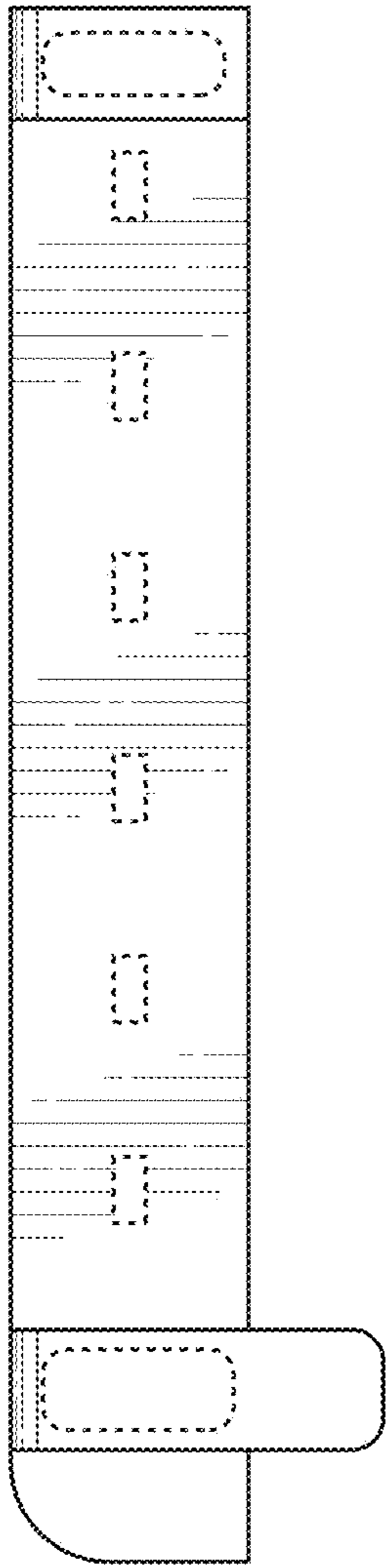


FIG. 7

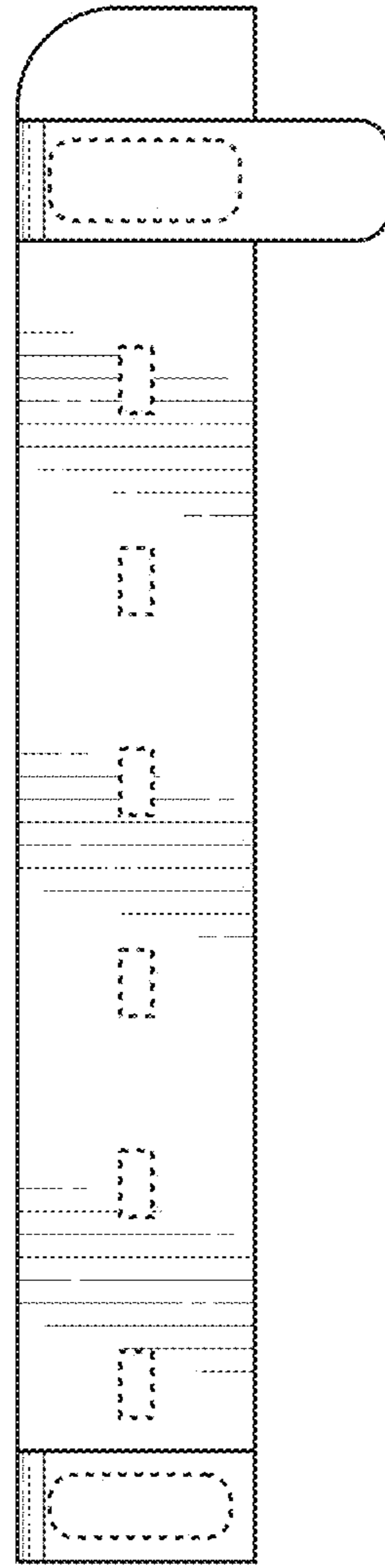


FIG. 8