



(12) **United States Design Patent**
Koberstine et al.

(10) **Patent No.:** **US D893,623 S**
(45) **Date of Patent:** **** Aug. 18, 2020**

(54) **LEVER SYSTEM TEACHING TOOL**

D806,188 S * 12/2017 Petek D21/686
D844,078 S * 3/2019 Salomone D21/691
D854,102 S * 7/2019 Riekstina-Snore D21/686

(71) Applicant: **The Prophet Corporation**, Owatonna,
MN (US)

FOREIGN PATENT DOCUMENTS

(72) Inventors: **Jason Butler Koberstine**, Apple Valley,
MN (US); **Alison Marie Harguth**,
Owatonna, MN (US)

CA 2873777 A1 * 10/2016 A63H 33/10
DE 29713512 U1 * 9/1997 G09B 23/04

(73) Assignee: **The Prophet Corporation**, Owatonna,
MN (US)

OTHER PUBLICATIONS

(**) Term: **15 Years**

Stem Supplies. Link: <https://www.stem-supplies.com/engineering/simple-and-complex-machines/learninglever-lever-set>. Visited Sep. 5, 2019. LearnLever Lever Set. (Year: 2019).*
Stem Supplies, Gopher Sport, © Apr. 2018, pp. 16, 17, and 20-23.

(21) Appl. No.: **29/644,256**

* cited by examiner

(22) Filed: **Apr. 16, 2018**

Primary Examiner — Lauren D McVey

(51) **LOC (12) Cl.** **19-07**

(74) *Attorney, Agent, or Firm* — Merchant & Gould P.C.

(52) **U.S. Cl.**

USPC **D19/64**; D21/691

(58) **Field of Classification Search**

USPC D19/59-64; D21/691, 686, 826
CPC G06N 99/005; G09B 23/06; G09B 23/04;
G09B 19/00

(57) **CLAIM**

The ornamental design for a lever system teaching tool, as shown and described.

See application file for complete search history.

DESCRIPTION

(56) **References Cited**

U.S. PATENT DOCUMENTS

963,030 A * 7/1910 Balch A47J 37/0763
126/30
D173,173 S * 10/1954 Rink D21/691
D220,625 S * 5/1971 Macpherson D21/404
D233,849 S * 12/1974 Cohen D21/399
3,944,219 A * 3/1976 LoPresti A63B 1/00
482/38
D318,689 S * 7/1991 Watkins D19/64
D433,060 S * 10/2000 Davies D19/112
D566,767 S * 4/2008 Urdarevik D19/62
7,658,702 B1 * 2/2010 Harms A63B 23/1281
482/141
D686,287 S * 7/2013 Boatwright D21/686

FIG. 1 is top perspective view of a lever system teaching tool showing our new design;

FIG. 2 is a bottom perspective view thereof;

FIG. 3 is a first side elevational view thereof;

FIG. 4 is a second side elevational view thereof;

FIG. 5 is a first end elevational view thereof;

FIG. 6 is a second end elevational view thereof;

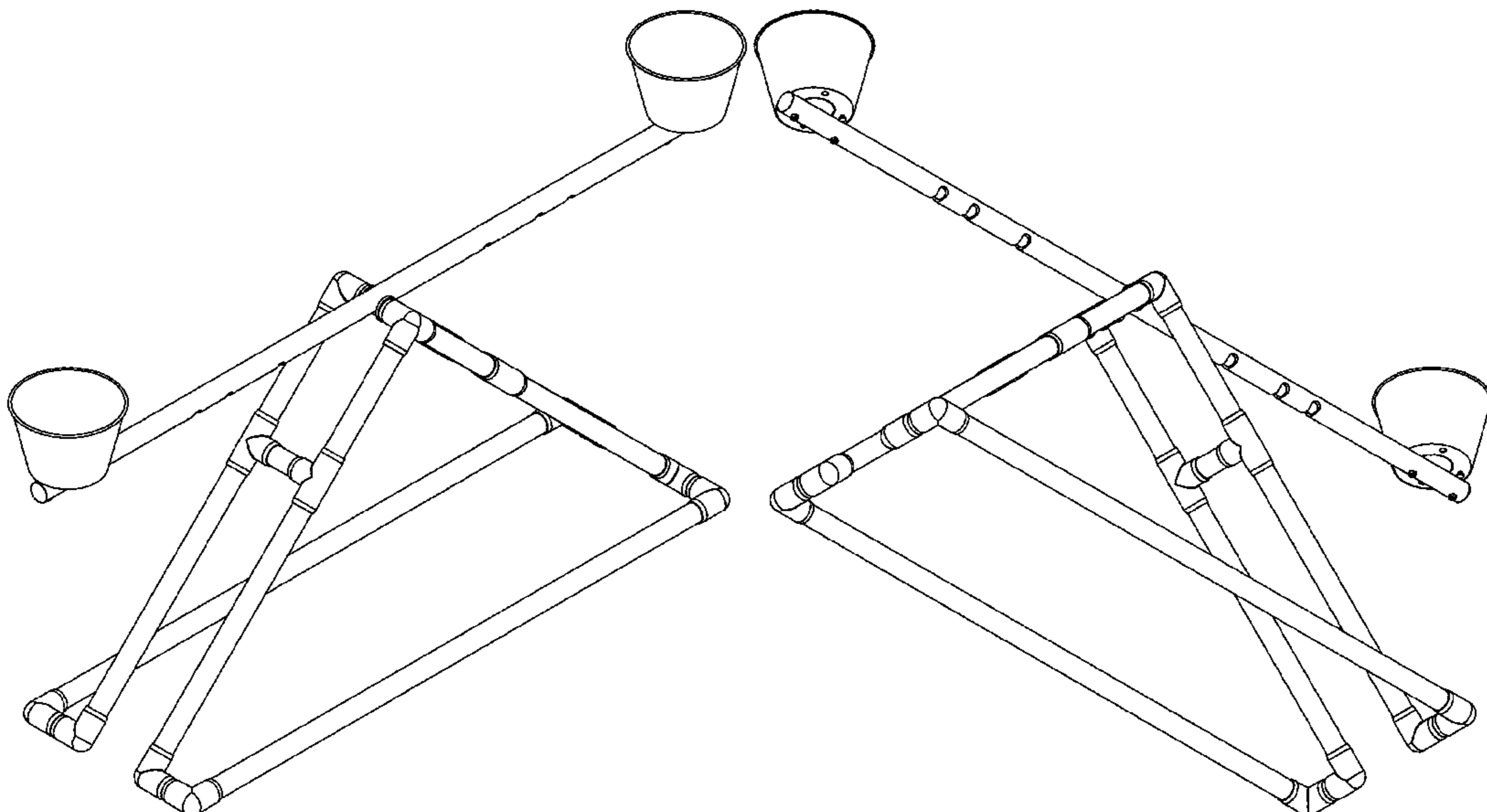
FIG. 7 is a top plan view thereof; and,

FIG. 8 is a bottom plan view thereof.

The broken lines in the drawings illustrate portions of the lever system teaching tool that form no part of the claim.

The wire frame lines shown throughout the views depict surface contour.

1 Claim, 6 Drawing Sheets



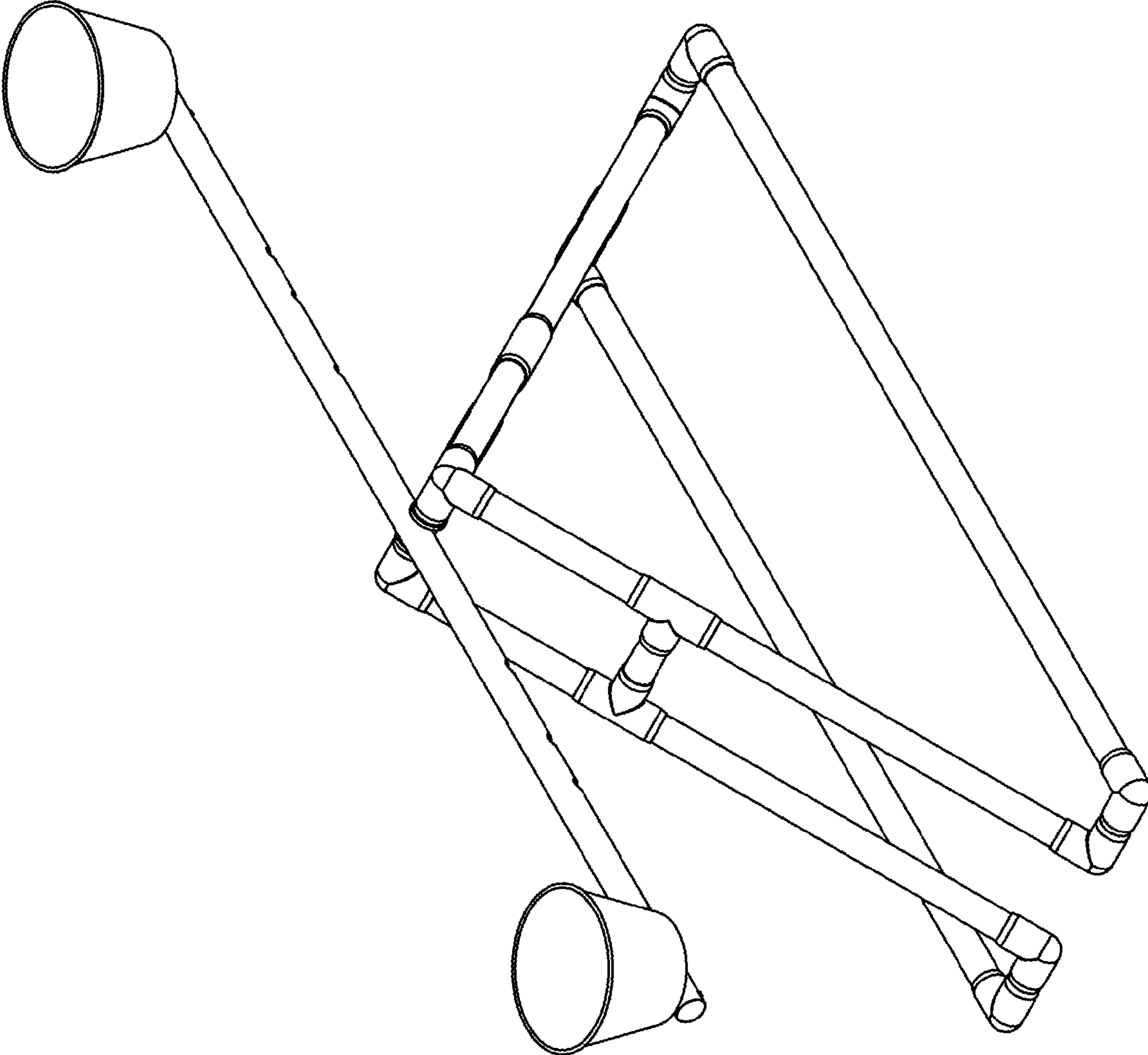


FIG. 1

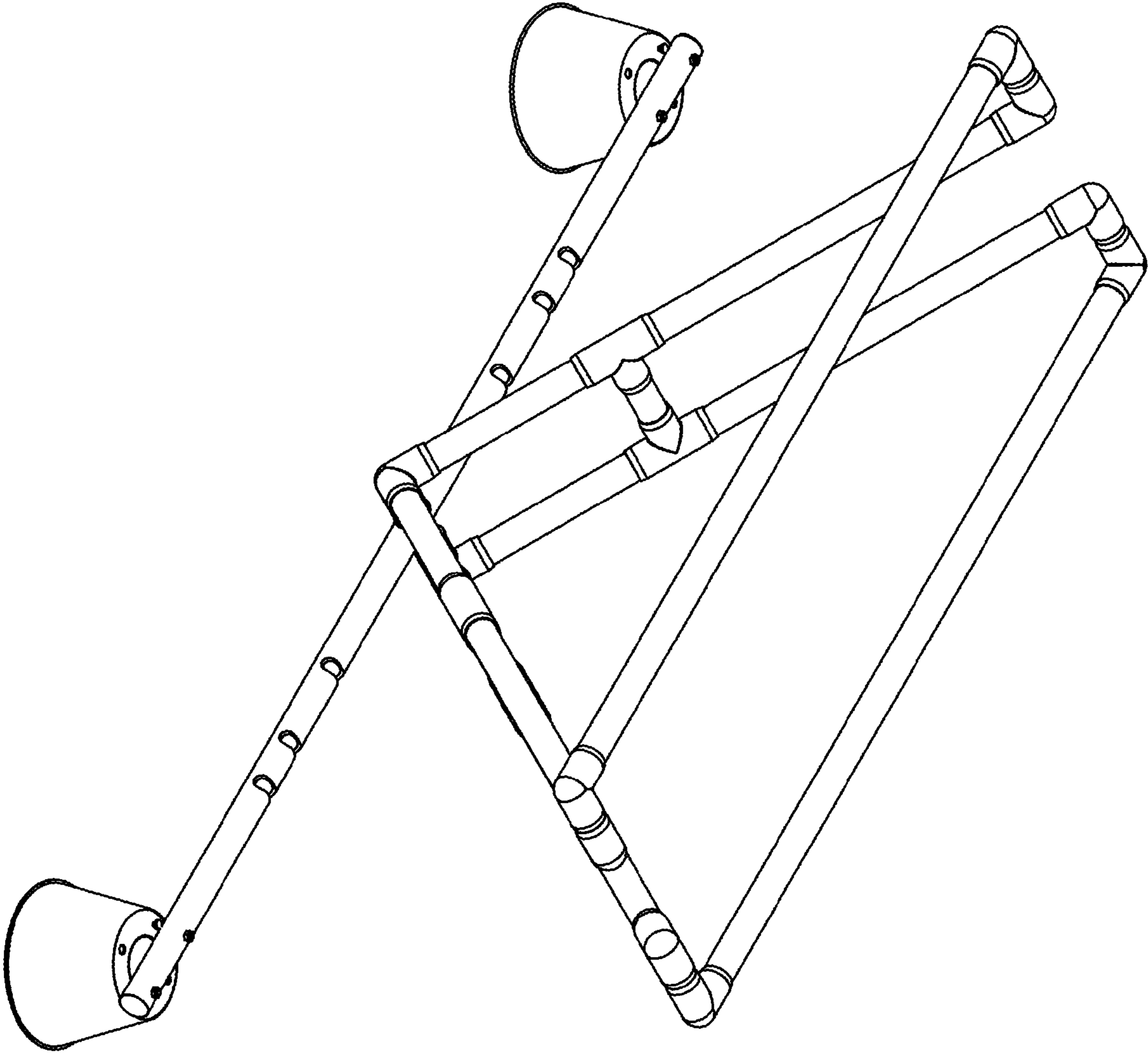


FIG. 2

FIG. 3

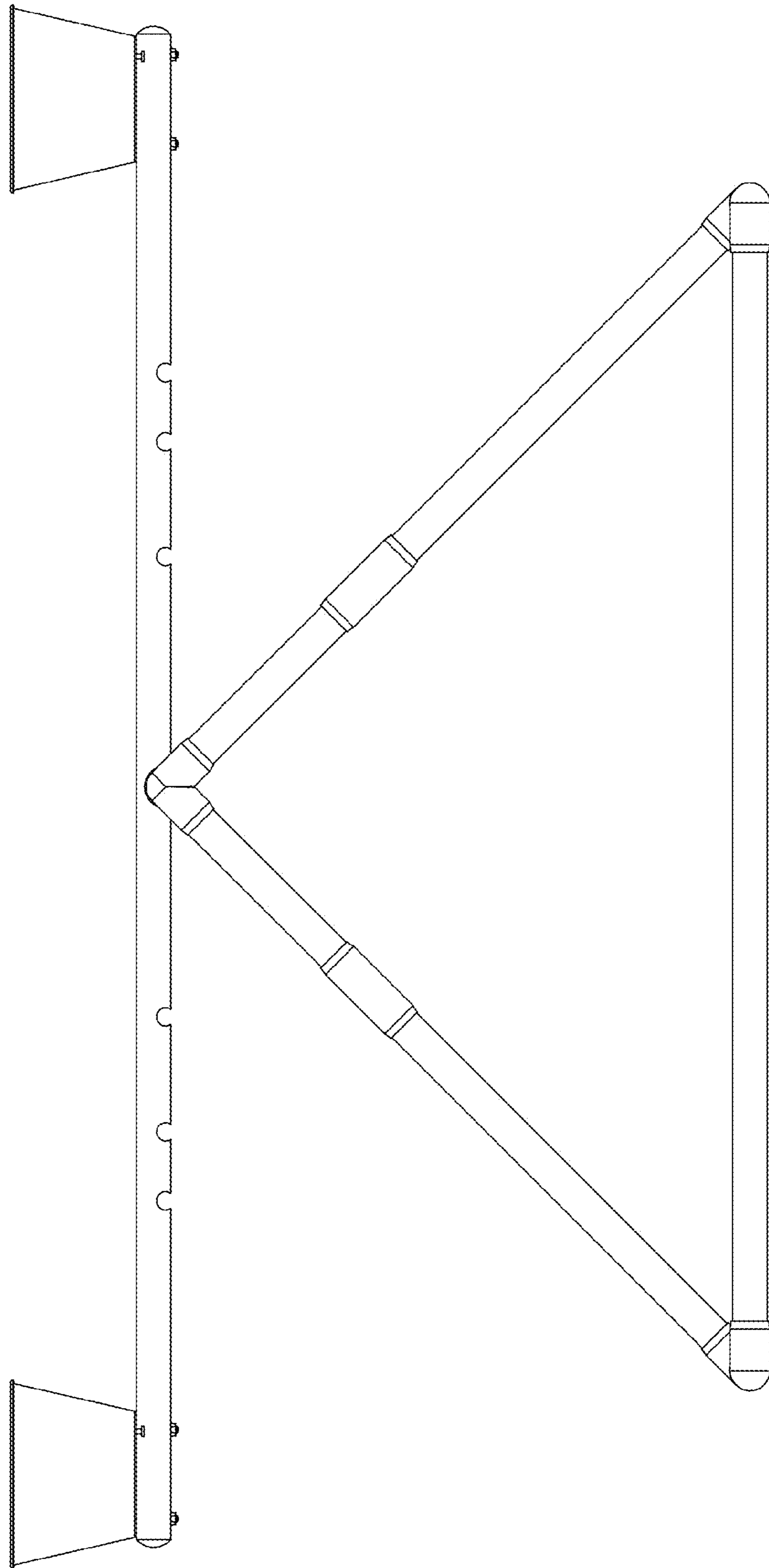


FIG. 4

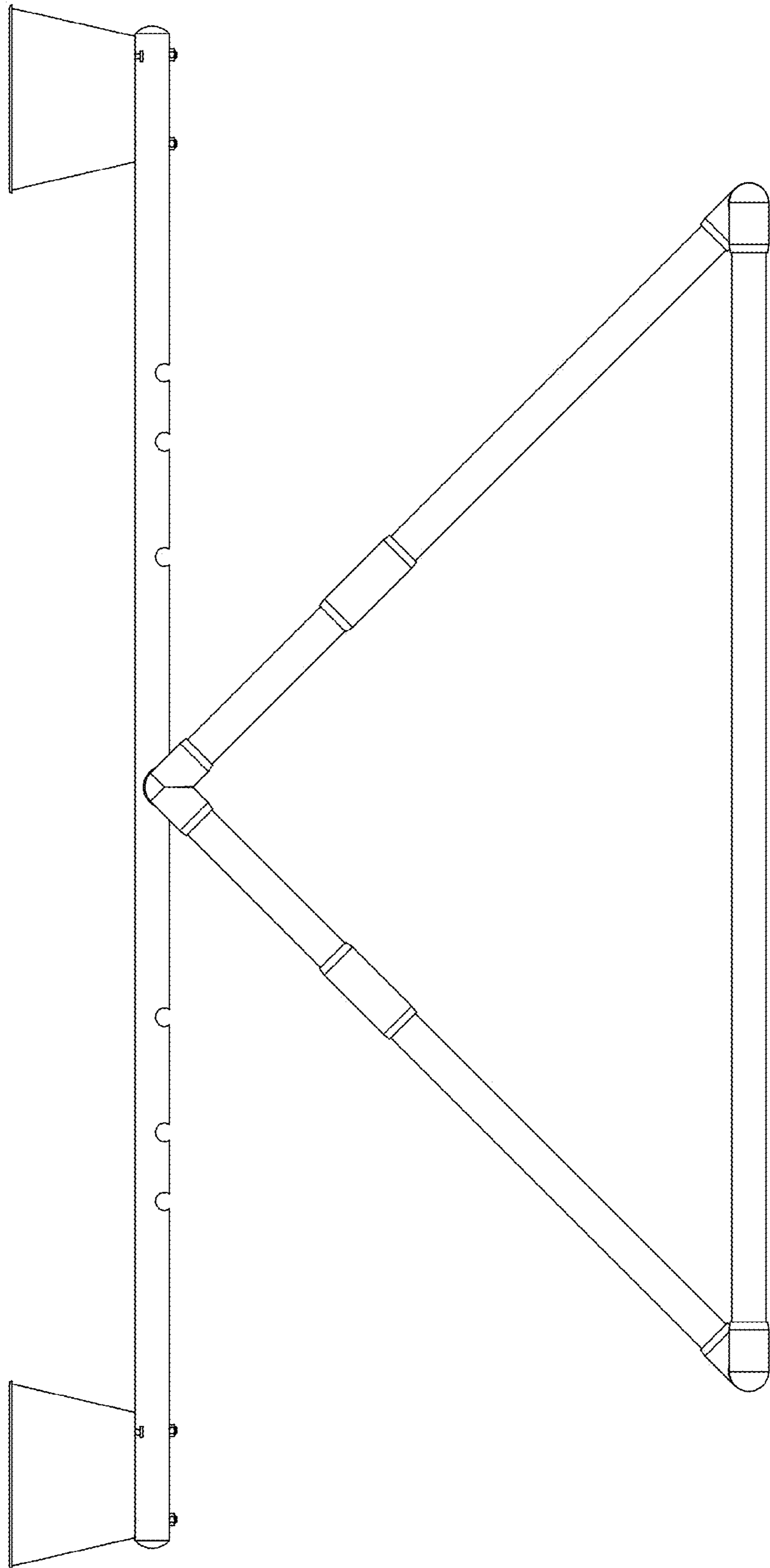


FIG. 6

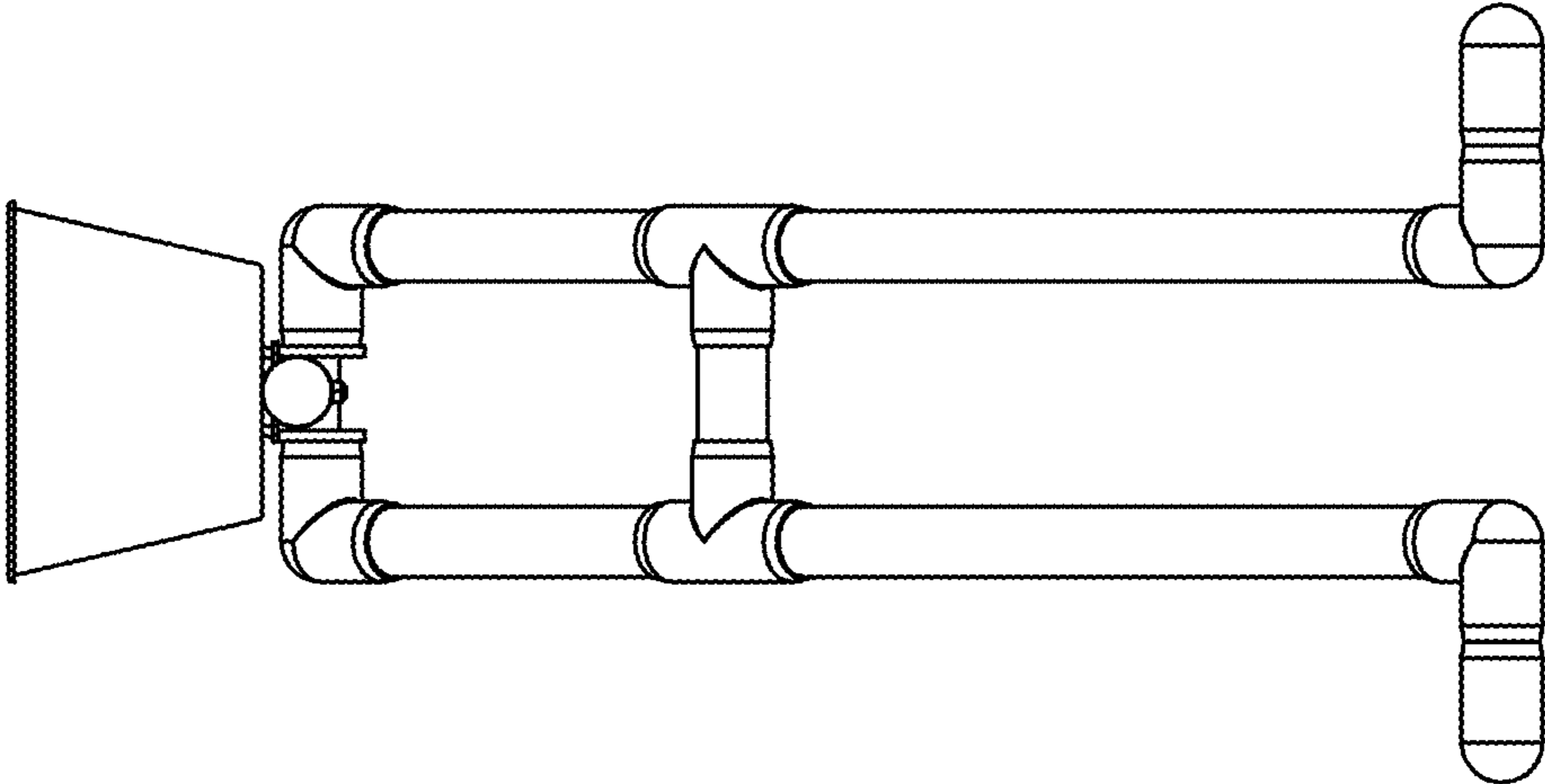
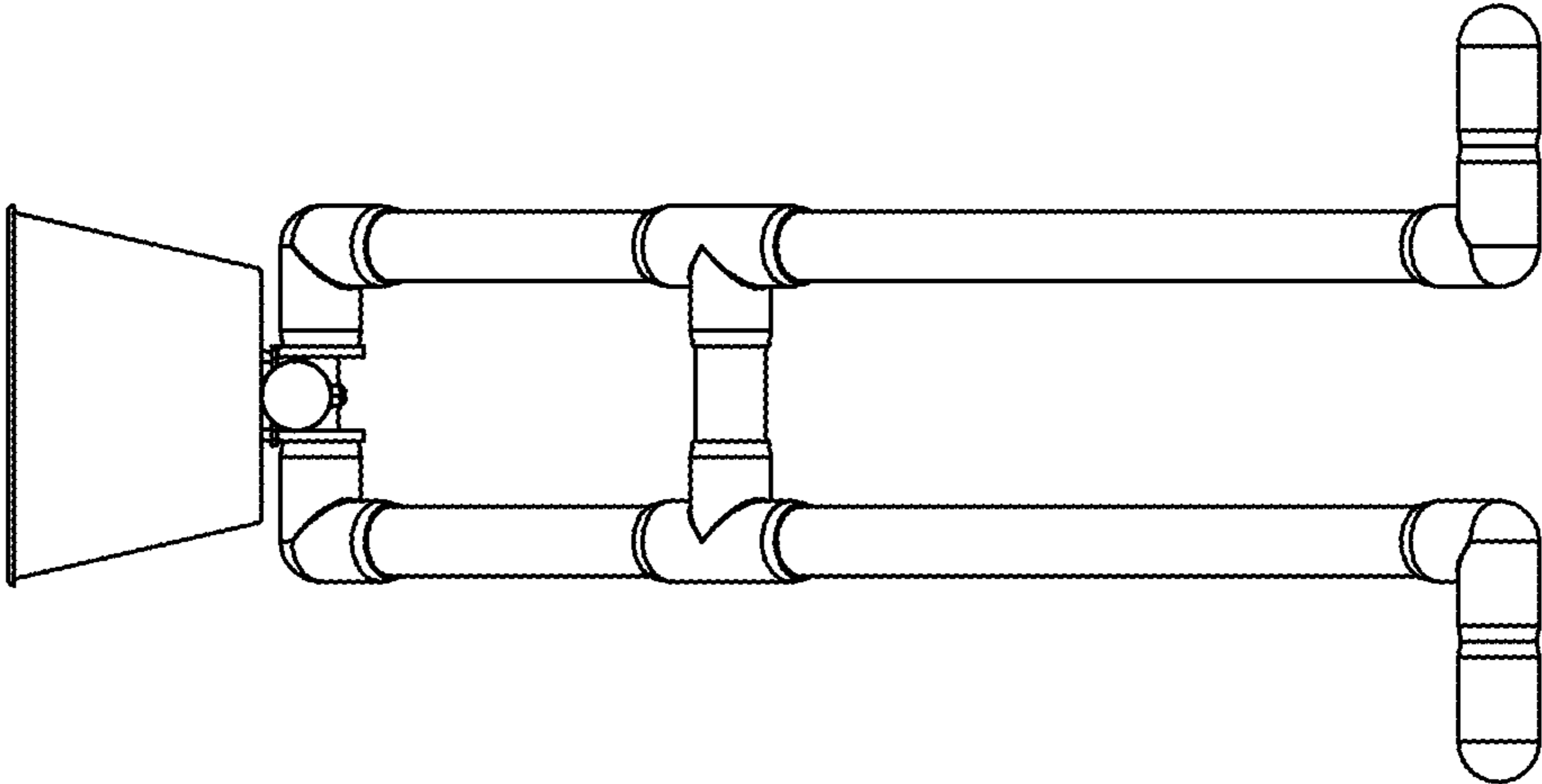


FIG. 5



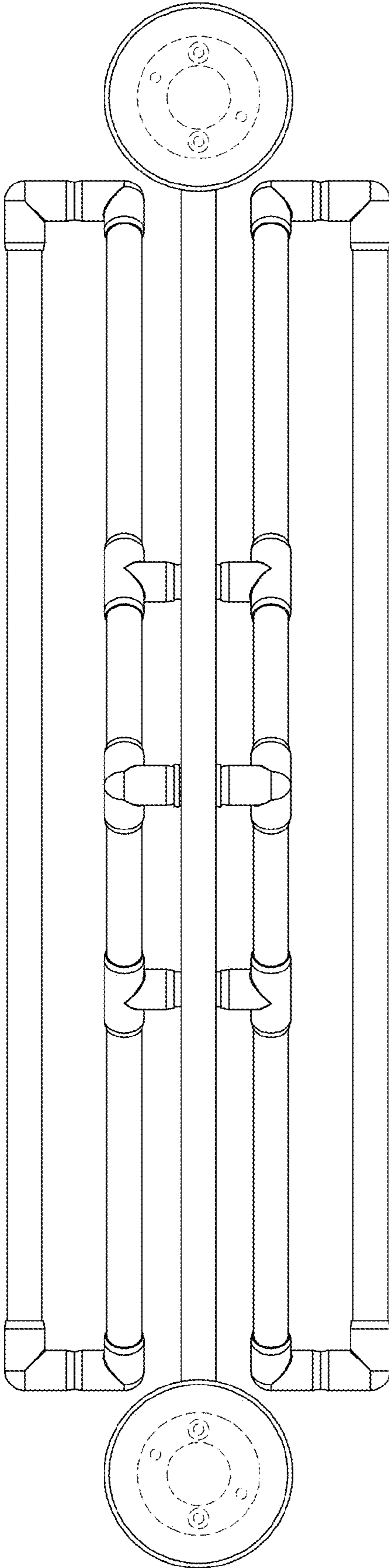


FIG. 7

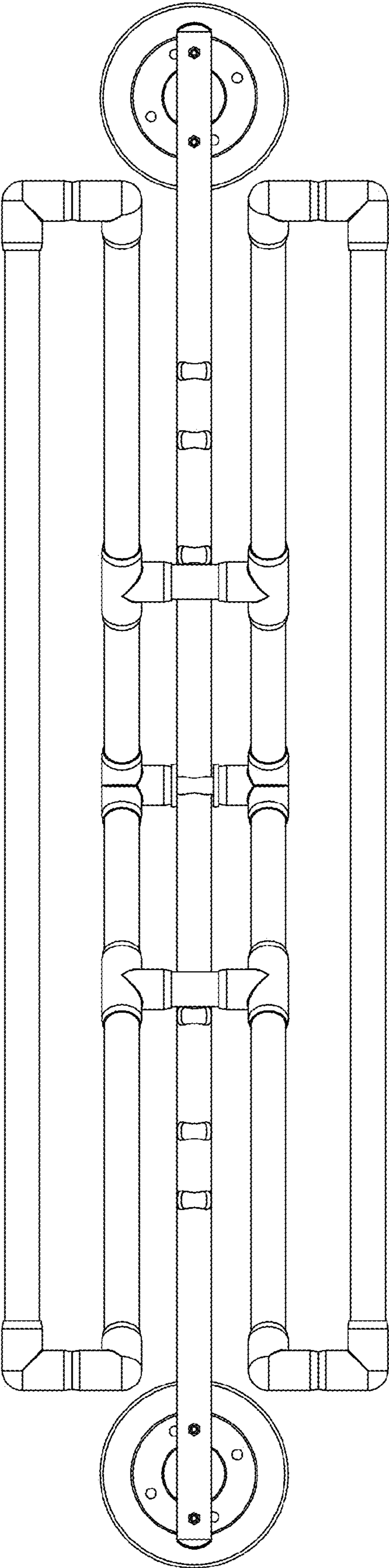


FIG. 8