



US00D893620S

(12) **United States Design Patent**  
**Faulkner**

(10) **Patent No.:** **US D893,620 S**

(45) **Date of Patent:** **\*\* Aug. 18, 2020**

(54) **EXPLODED AMMUNITION COMPONENT MODEL**

(71) Applicant: **Anthony Faulkner**, Fayetteville, NY (US)

(72) Inventor: **Anthony Faulkner**, Fayetteville, NY (US)

(\*\*) Term: **15 Years**

(21) Appl. No.: **29/679,248**

(22) Filed: **Feb. 4, 2019**

**Related U.S. Application Data**

(62) Division of application No. 29/554,266, filed on Feb. 10, 2016, now Pat. No. Des. 846,636.

(51) **LOC (12) Cl.** ..... **19-07**

(52) **U.S. Cl.**  
USPC ..... **D19/62; D22/116**

(58) **Field of Classification Search**  
USPC ..... D19/59-64; D22/116  
CPC ..... G06N 99/005; G09B 23/06; F41A 9/38;  
F41A 11/00; F41A 9/01; F41A 11/02;  
F41A 9/54; F41A 9/55; F41A 9/56; F41A  
9/57

See application file for complete search history.

(56) **References Cited**

**U.S. PATENT DOCUMENTS**

|               |         |               |                             |
|---------------|---------|---------------|-----------------------------|
| 2,383,780 A   | 8/1945  | Dobremysl     |                             |
| 2,627,208 A   | 2/1953  | Simpson       |                             |
| 2,870,561 A   | 1/1959  | Colby         |                             |
| 3,086,467 A * | 4/1963  | Gallagher     | ..... F42B 10/52<br>244/3.1 |
| 3,276,322 A   | 10/1966 | Christiansson |                             |
| 3,601,001 A   | 8/1971  | Jenny         |                             |
| 4,286,499 A   | 9/1981  | Gillum        |                             |
| 4,587,879 A   | 5/1986  | Savioli       |                             |
| 4,898,071 A   | 2/1990  | Borgwarth     |                             |

(Continued)

**FOREIGN PATENT DOCUMENTS**

|    |         |         |
|----|---------|---------|
| CH | 672179  | 10/1989 |
| DE | 3612099 | 12/1986 |

(Continued)

**OTHER PUBLICATIONS**

Faulker, Anthony; "Ammunition Displays by Ballistic Concepts, LLC" Posted on Internet Nov. 18, 2015.

(Continued)

*Primary Examiner* — Lauren D McVey

(74) *Attorney, Agent, or Firm* — Peter J. Mikesell; Schmeiser, Olsen & Watts, LLP

(57) **CLAIM**

The ornamental design for an "exploded ammunition component model," as shown and described.

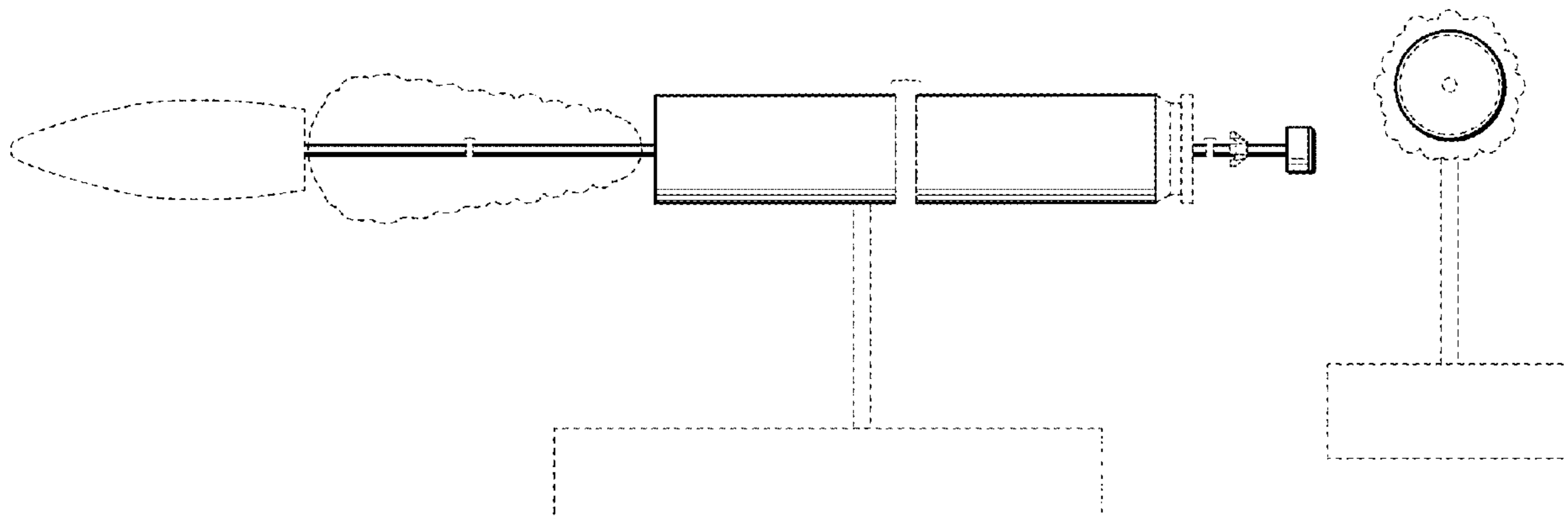
**DESCRIPTION**

FIG. 1 is a right side elevation view of an exploded ammunition component model showing my new design; FIG. 2 is a left side elevation view thereof; FIG. 3 is a top plan view thereof; FIG. 4 is a bottom plan view thereof; FIG. 5 is a front elevation view thereof; FIG. 6 is a rear elevation view thereof; and, FIG. 7 is a top right rear perspective view thereof.

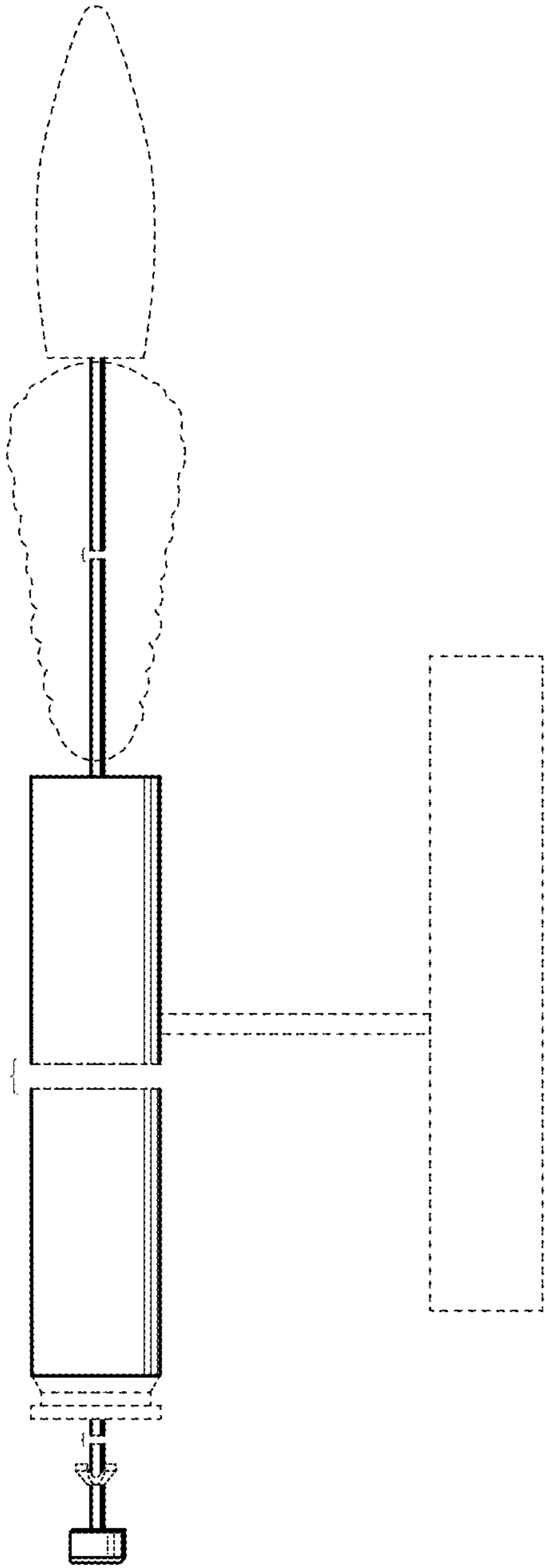
The broken line showing of the base, support bar, gunpowder and bullet are included to illustrate an environment of the exploded ammunition component model. None of the broken lines form any part of the claimed design.

The exploded ammunition component model is shown with a symbolic break in its length. The appearance of any portion of the article between the break lines forms no part of the claimed design.

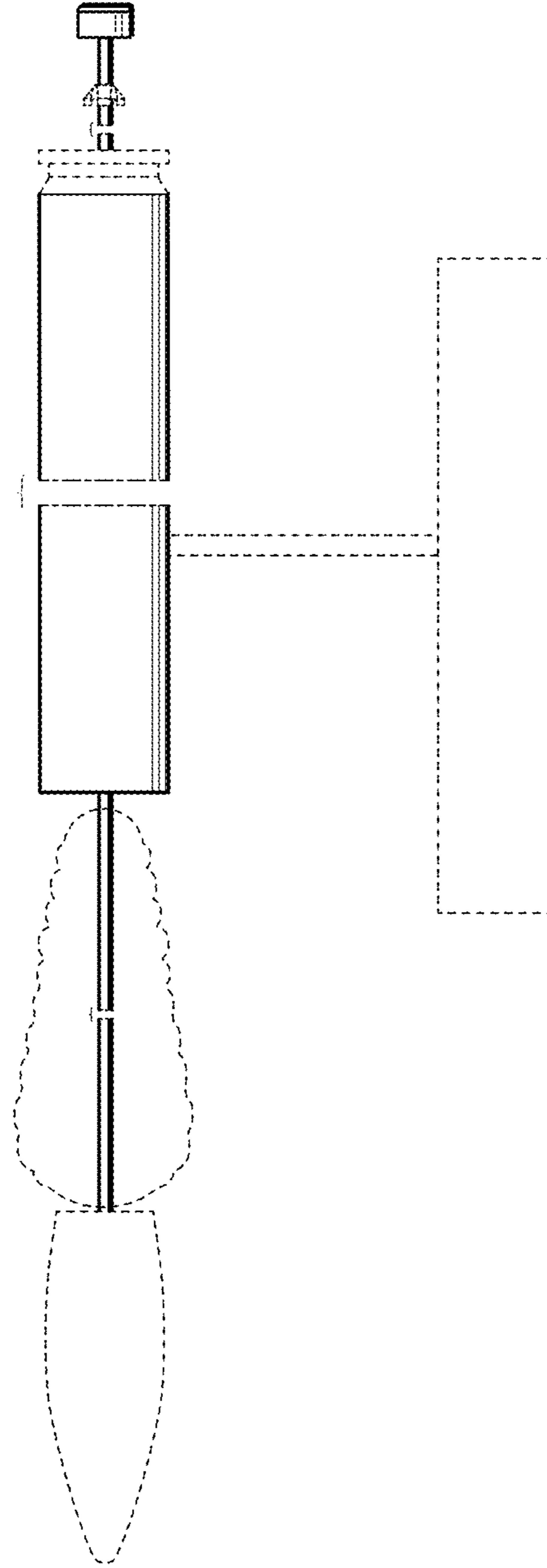
**1 Claim, 3 Drawing Sheets**



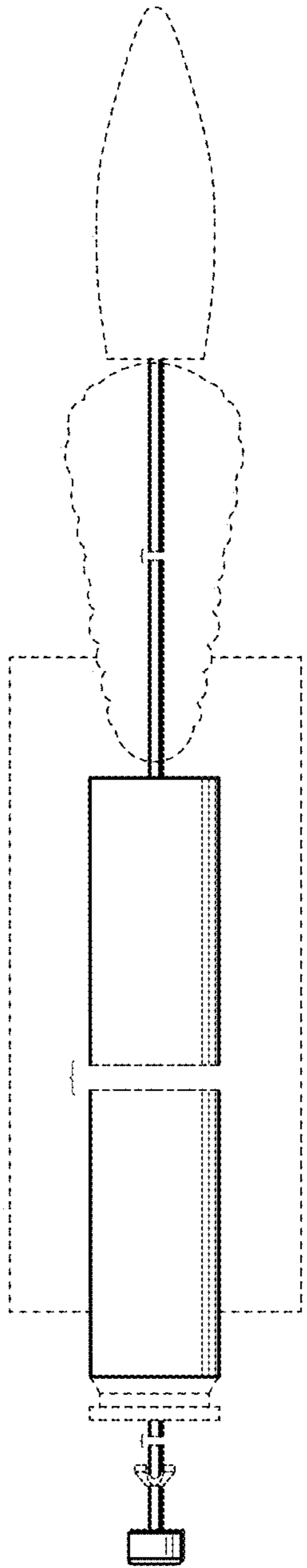




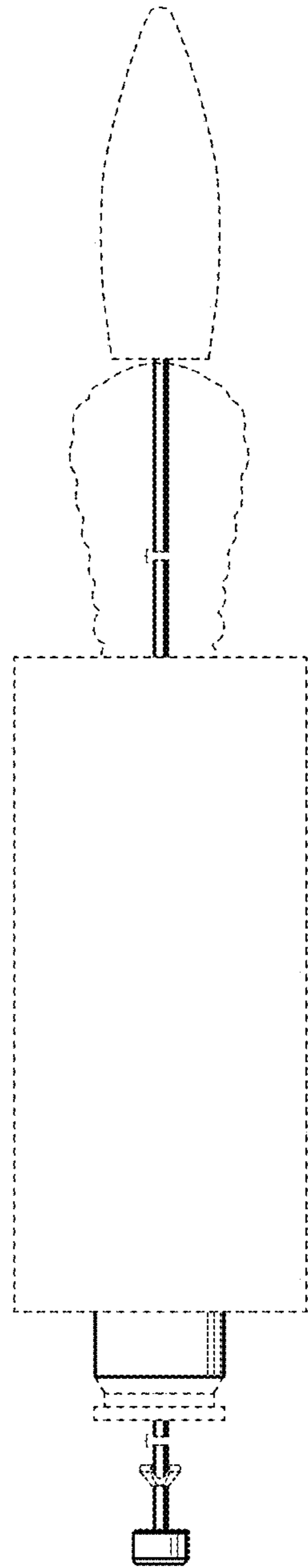
**FIG. 1**



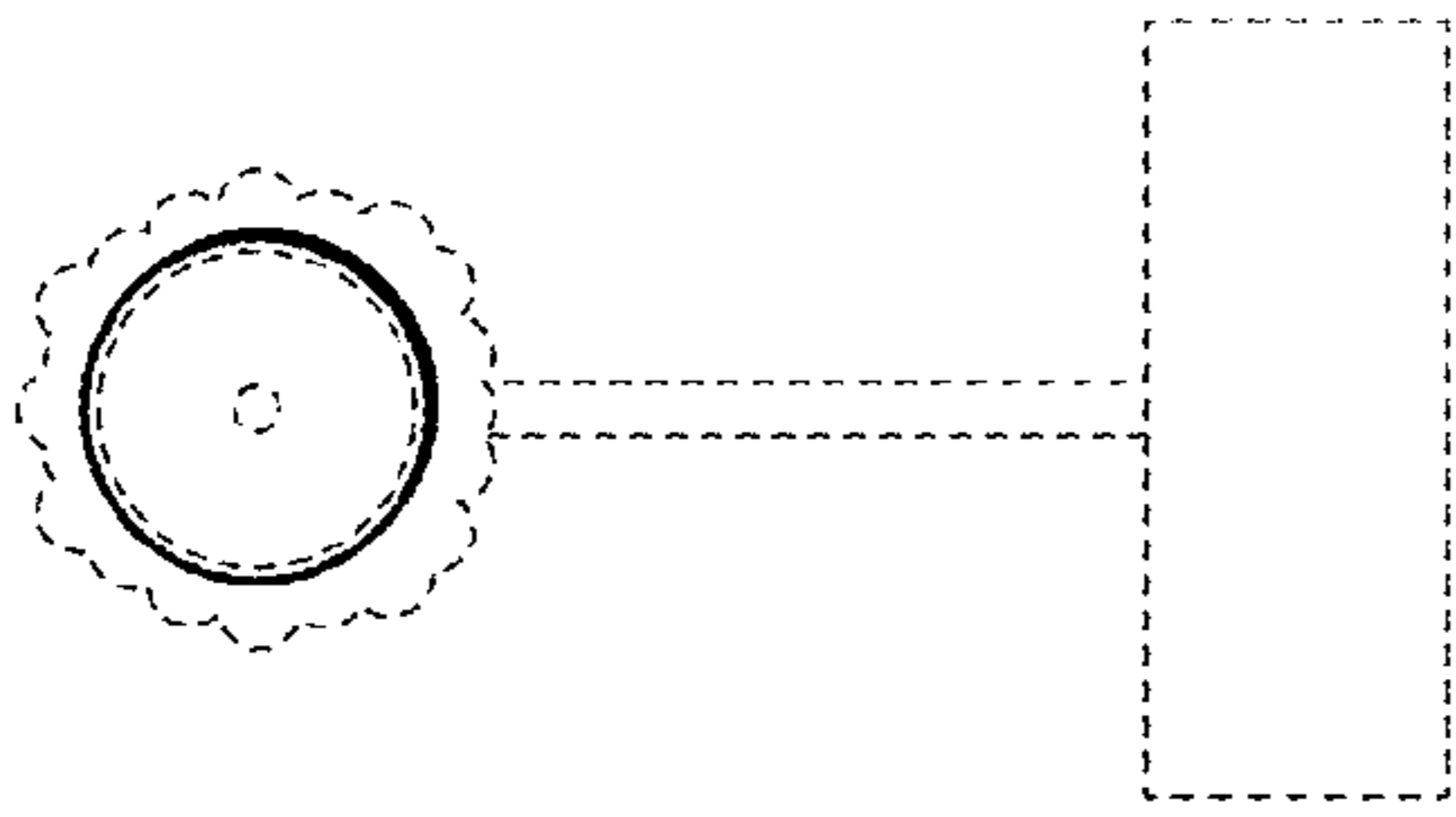
**FIG. 2**



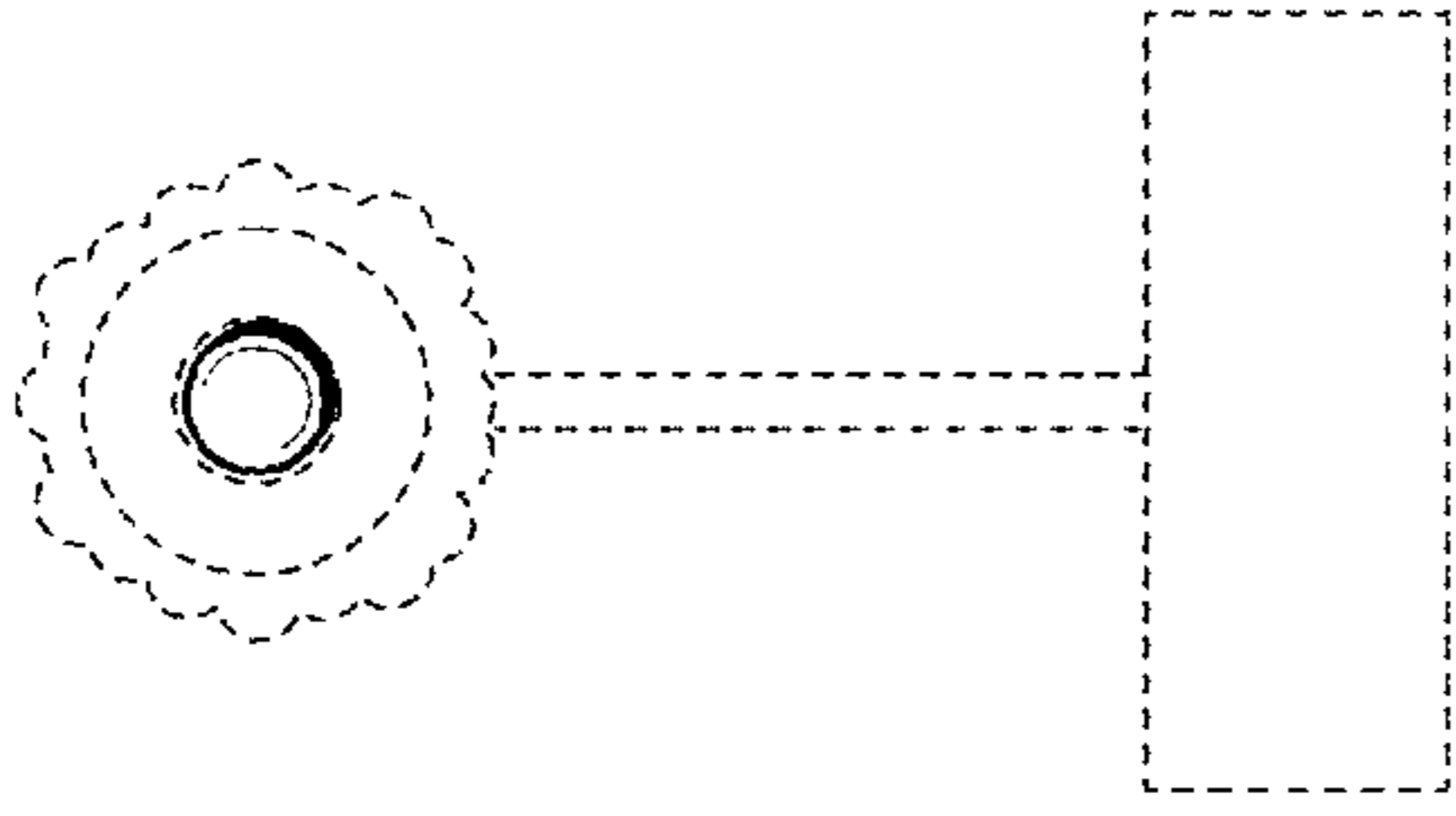
**FIG. 3**



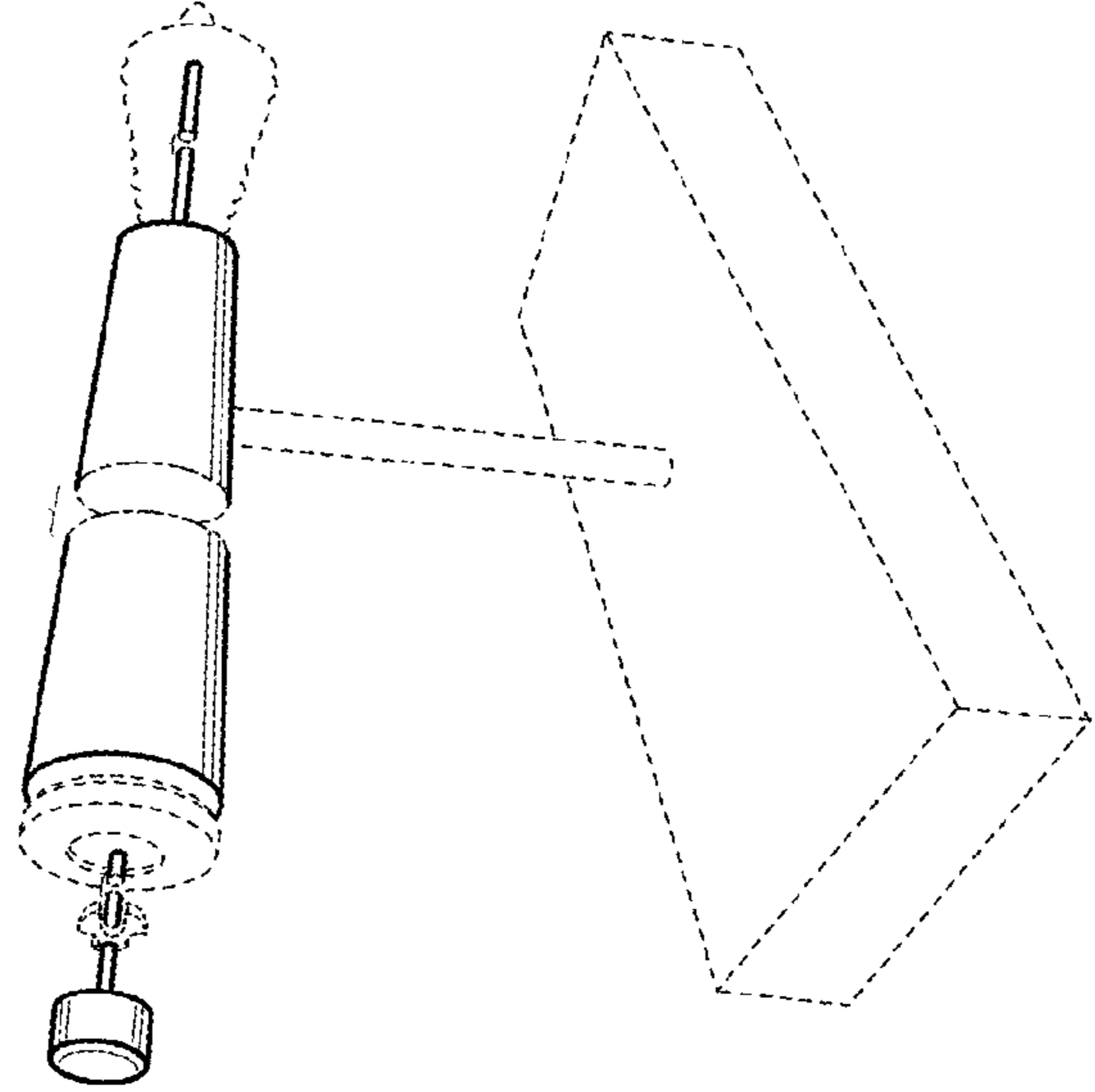
**FIG. 4**



**FIG. 5**



**FIG. 6**



**FIG. 7**