



US00D893617S

(12) **United States Design Patent**  
**Feng et al.**

(10) **Patent No.:** **US D893,617 S**  
(45) **Date of Patent:** **\*\* Aug. 18, 2020**

(54) **TEACHING MODEL**

(71) Applicant: **HANGZHOU ZT MODEL CO., LTD**,  
Hangzhou, Zhejiang (CN)

(72) Inventors: **Rui Feng**, Zhejiang (CN); **Shaohua Wang**, Gansu (CN); **He Jiang**, Zhejiang (CN); **Yingjun Ruan**, Hubei (CN)

(73) Assignee: **HANGZHOU ZT MODEL CO., LTD**,  
Hangzhou (CN)

(\*\*) Term: **15 Years**

(21) Appl. No.: **29/668,577**

(22) Filed: **Oct. 31, 2018**

(51) **LOC (12) Cl.** ..... **19-07**

(52) **U.S. Cl.**  
USPC ..... **D19/61**

(58) **Field of Classification Search**  
USPC ..... D19/59-64; D21/510  
CPC . G09B 19/00; G09B 1/06; G09B 1/08; G09B 1/10; G09B 1/12; G09B 1/14; G09B 19/10; G09B 19/22; G09B 19/24; A63H 27/00; A63H 27/001; A63H 27/002; A63H 27/004; A63H 27/005; A63H 27/02  
See application file for complete search history.

(56) **References Cited**

**U.S. PATENT DOCUMENTS**

2,643,882 A \* 6/1953 Dozier ..... A63H 29/16  
472/8  
D171,835 S \* 3/1954 Ayrault ..... D19/62  
(Continued)

**FOREIGN PATENT DOCUMENTS**

CN 304818096 \* 9/2018  
CN 305054395 \* 3/2019  
(Continued)

**OTHER PUBLICATIONS**

YoungExplorers. Link: <https://www.youngexplorers.com/itemdy00.aspx?T1=Y161101>. Visited Mar. 4, 2020. Jr. Forecaster Digital Weather Station Kit. (Year: 2020).\*

*Primary Examiner* — Lauren D McVey

(74) *Attorney, Agent, or Firm* — Leason Ellis LLP

(57) **CLAIM**

The ornamental design of a teaching model, substantially as shown and described.

**DESCRIPTION**

FIG. 1 is a perspective view of a teaching model showing our new design;

FIG. 2 is another perspective view of the teaching model in FIG. 1;

FIG. 3 is a front elevation view thereof;

FIG. 4 is a rear elevation view thereof;

FIG. 5 is a right side elevation view thereof;

FIG. 6 is a left side elevation view thereof;

FIG. 7 is a top plan view thereof;

FIG. 8 is a bottom plan view thereof;

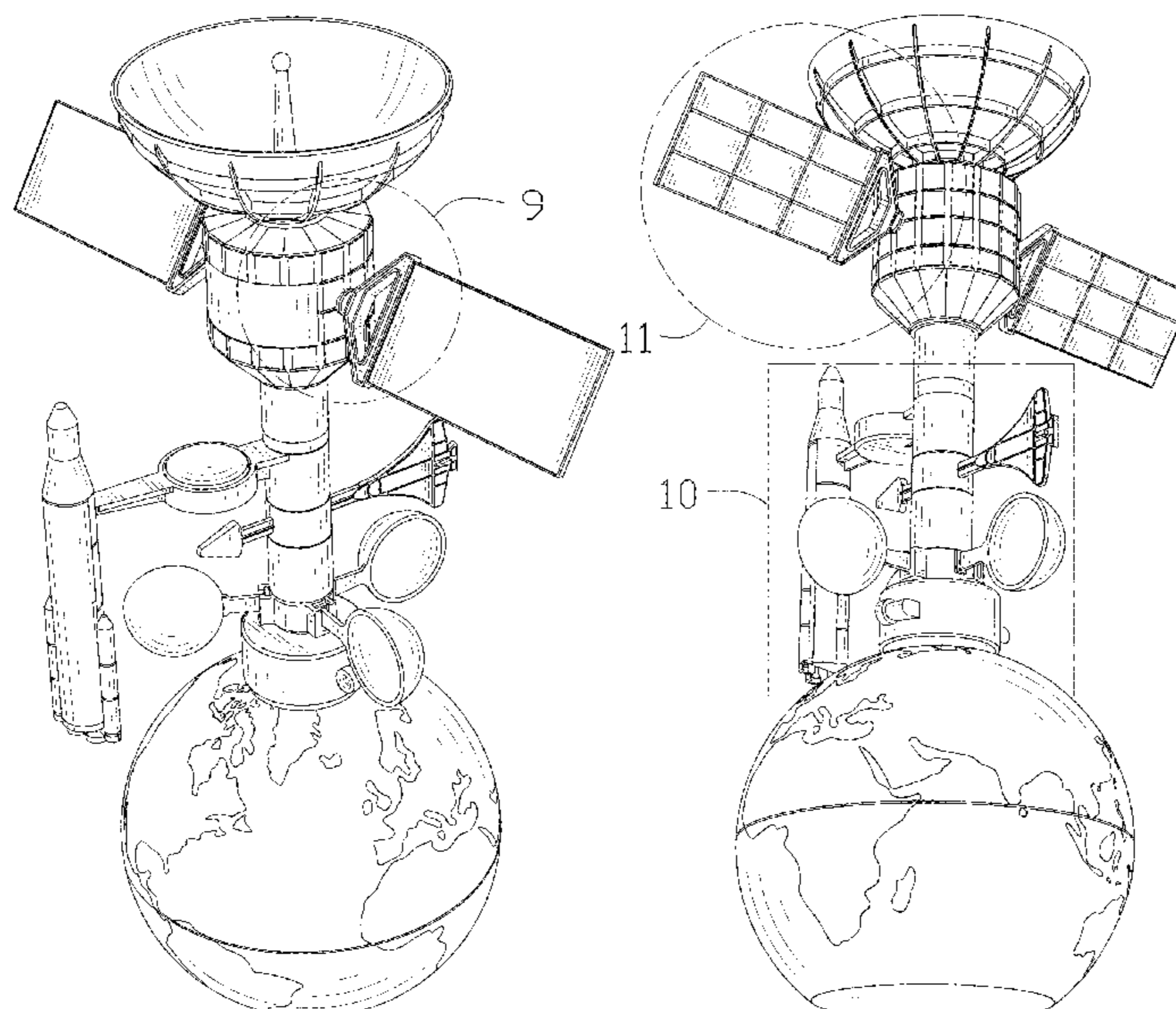
FIG. 9 is an enlarged view of the encircled portion in FIG. 1;

FIG. 10 is an enlarged view of the rectangular portion in FIG. 2; and,

FIG. 11 is an enlarged view of the encircled portion in FIG. 2.

The evenly spaced broken lines immediately adjacent the claim depict the bounds of the claimed design, while all other broken lines are directed to environment. The dot-dash broken lines encircling portions of the claimed design in FIGS. 1 and 2 that are illustrated in enlargements in FIGS. 9, 10, and 11, respectively, form no part of the claimed design. The broken lines form no part of the claimed design.

**1 Claim, 11 Drawing Sheets**



(56)

**References Cited**

U.S. PATENT DOCUMENTS

3,312,142 A \* 4/1967 Shistovsky ..... G09B 27/02  
434/286  
D211,346 S \* 6/1968 Egan ..... D19/61  
3,562,950 A \* 2/1971 Genin ..... A63H 18/00  
446/236  
4,141,156 A \* 2/1979 Holtvoigt ..... G09B 27/08  
434/139  
4,928,955 A \* 5/1990 Chuan ..... A63H 18/06  
446/137  
4,961,717 A \* 10/1990 Hickey ..... A46B 5/0095  
132/308  
D352,312 S \* 11/1994 Butler ..... 434/131  
D412,856 S \* 8/1999 Zirkelbach ..... D10/59  
7,753,753 B2 \* 7/2010 Payne ..... A63H 33/42  
446/478  
2012/0008103 A1 \* 1/2012 Lalley ..... G03B 33/06  
353/69  
2012/0270466 A1 \* 10/2012 McKee ..... A63H 17/006  
446/175

FOREIGN PATENT DOCUMENTS

CN 305093547 \* 4/2019  
EP 2977832 A1 \* 1/2016 ..... G04B 19/26

\* cited by examiner

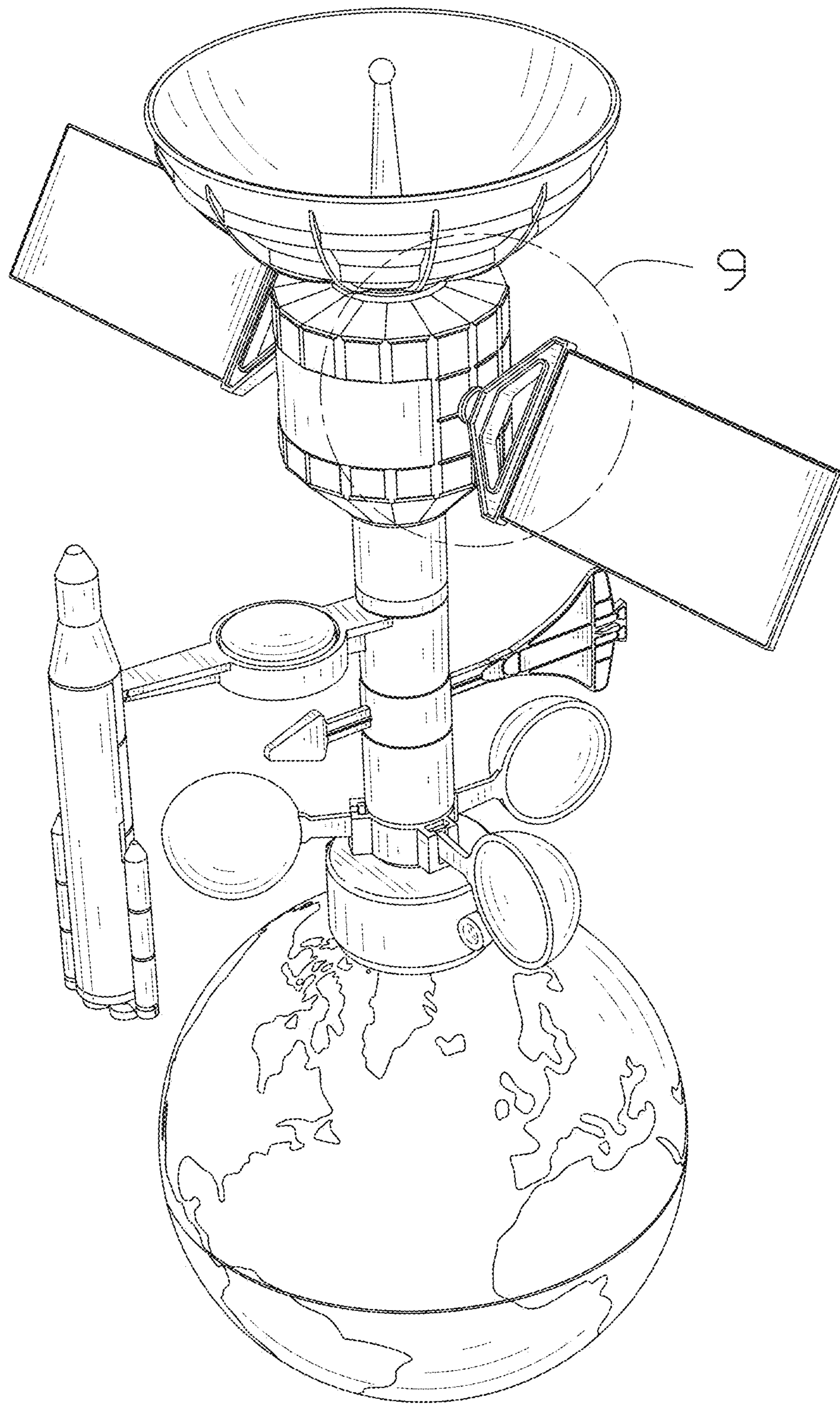


FIG. 1



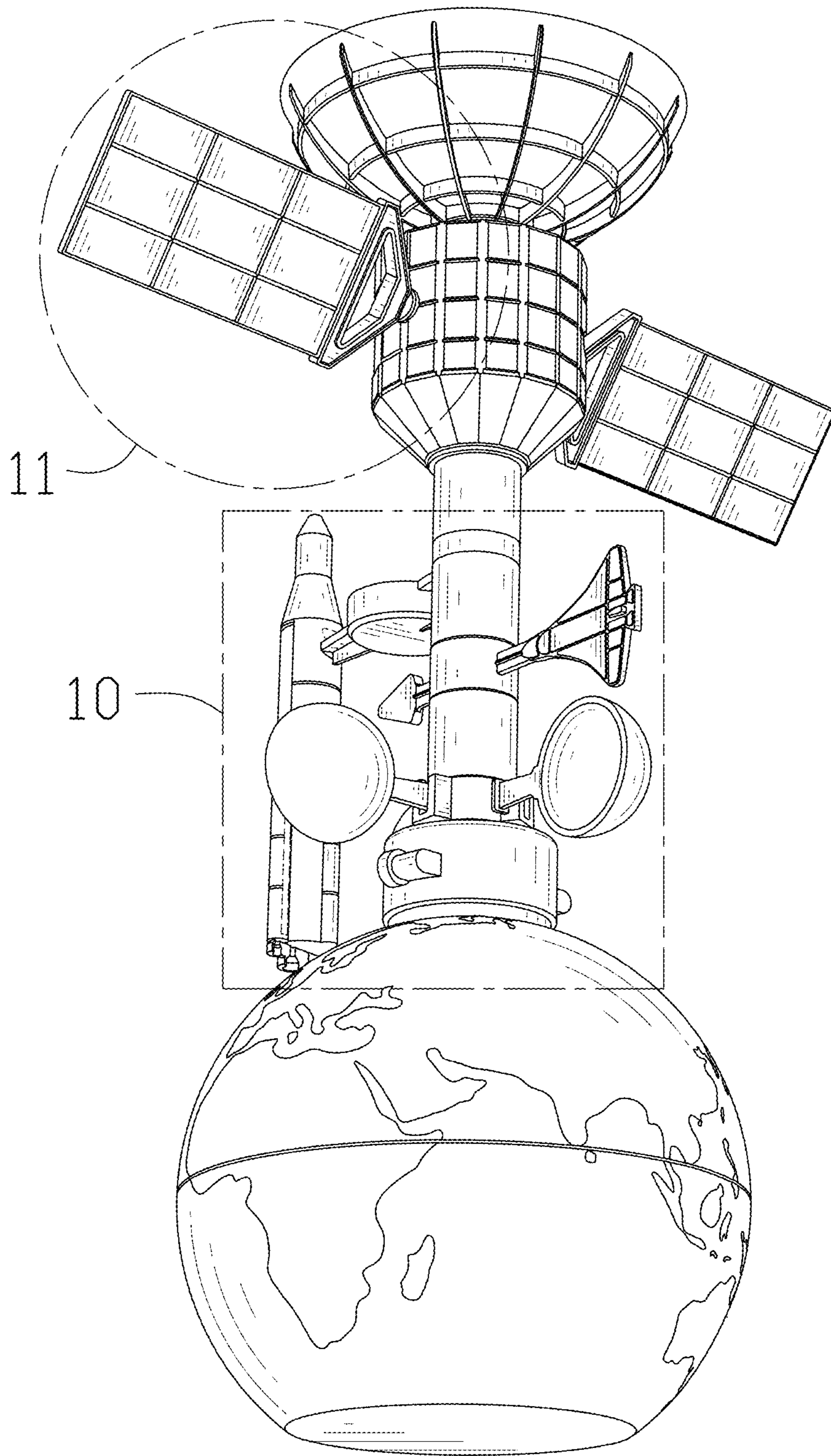


FIG. 2

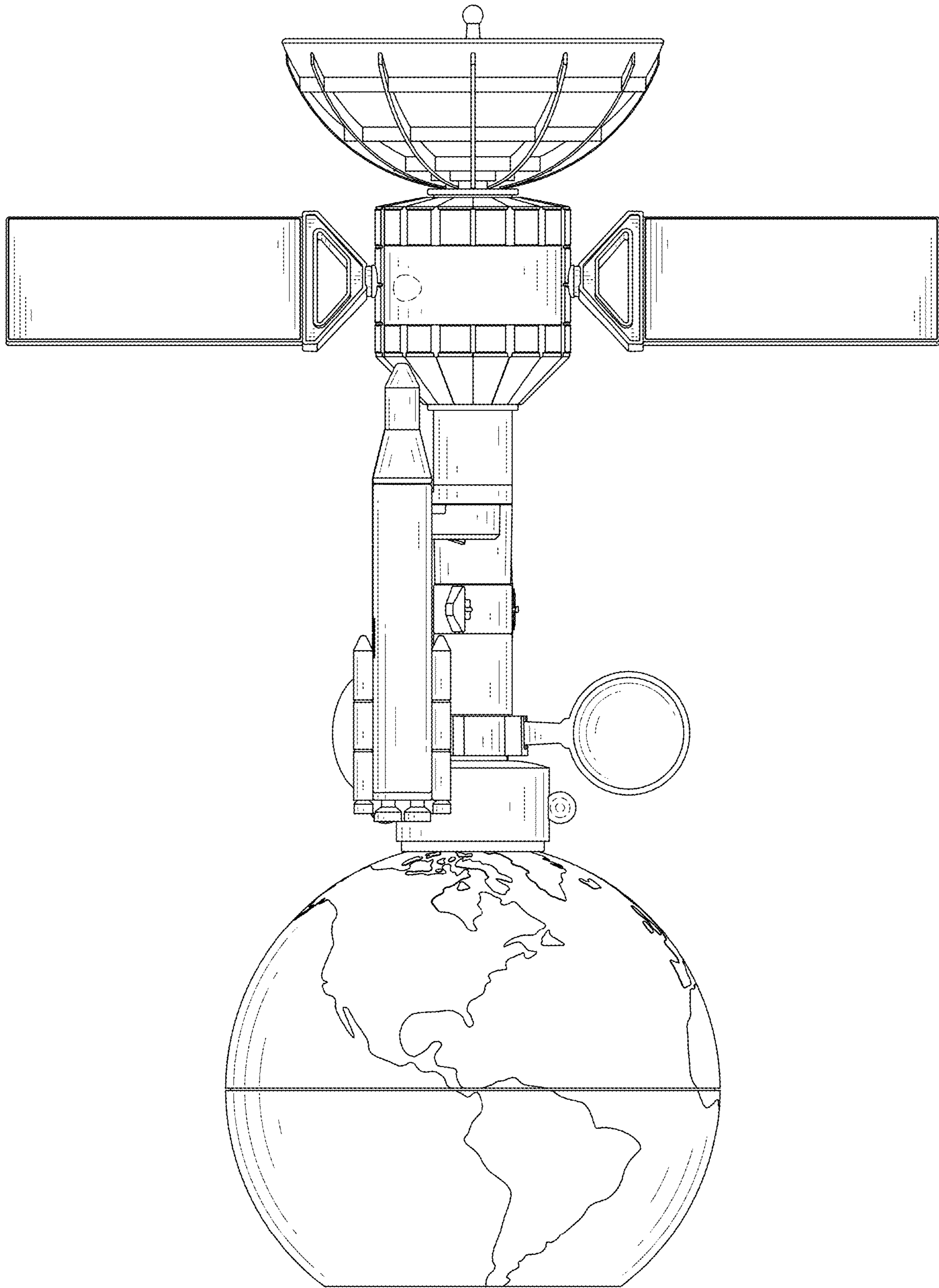


FIG. 3

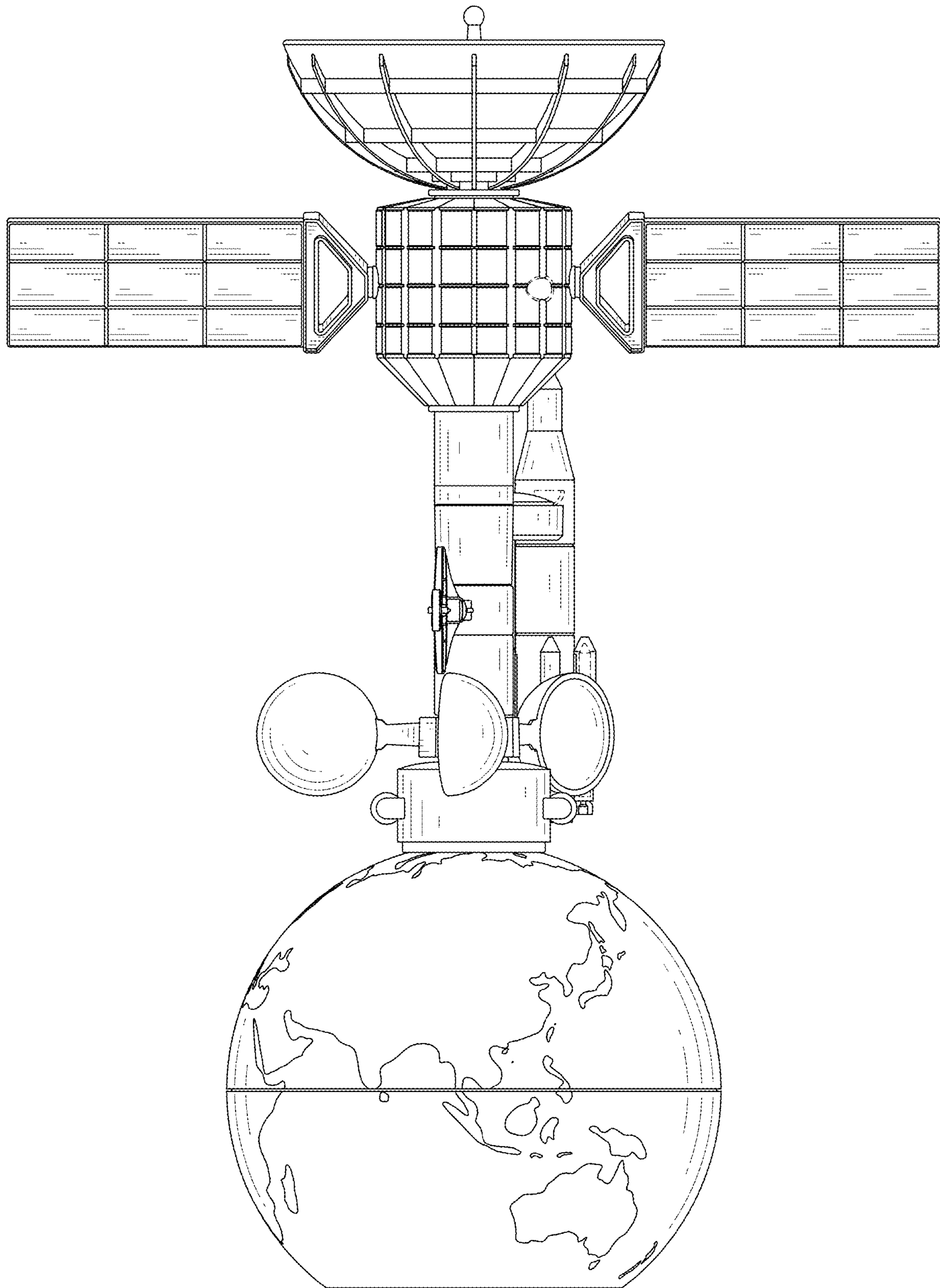


FIG. 4

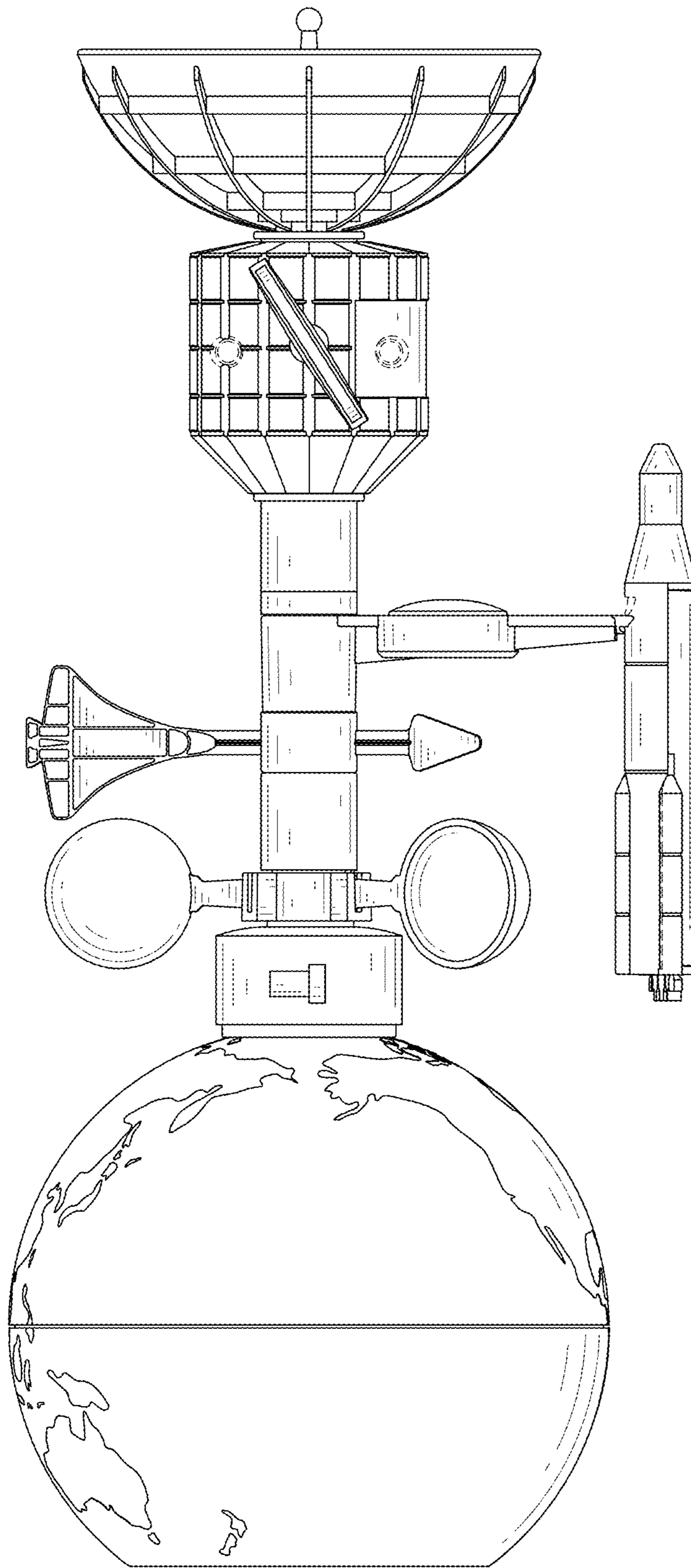


FIG. 5



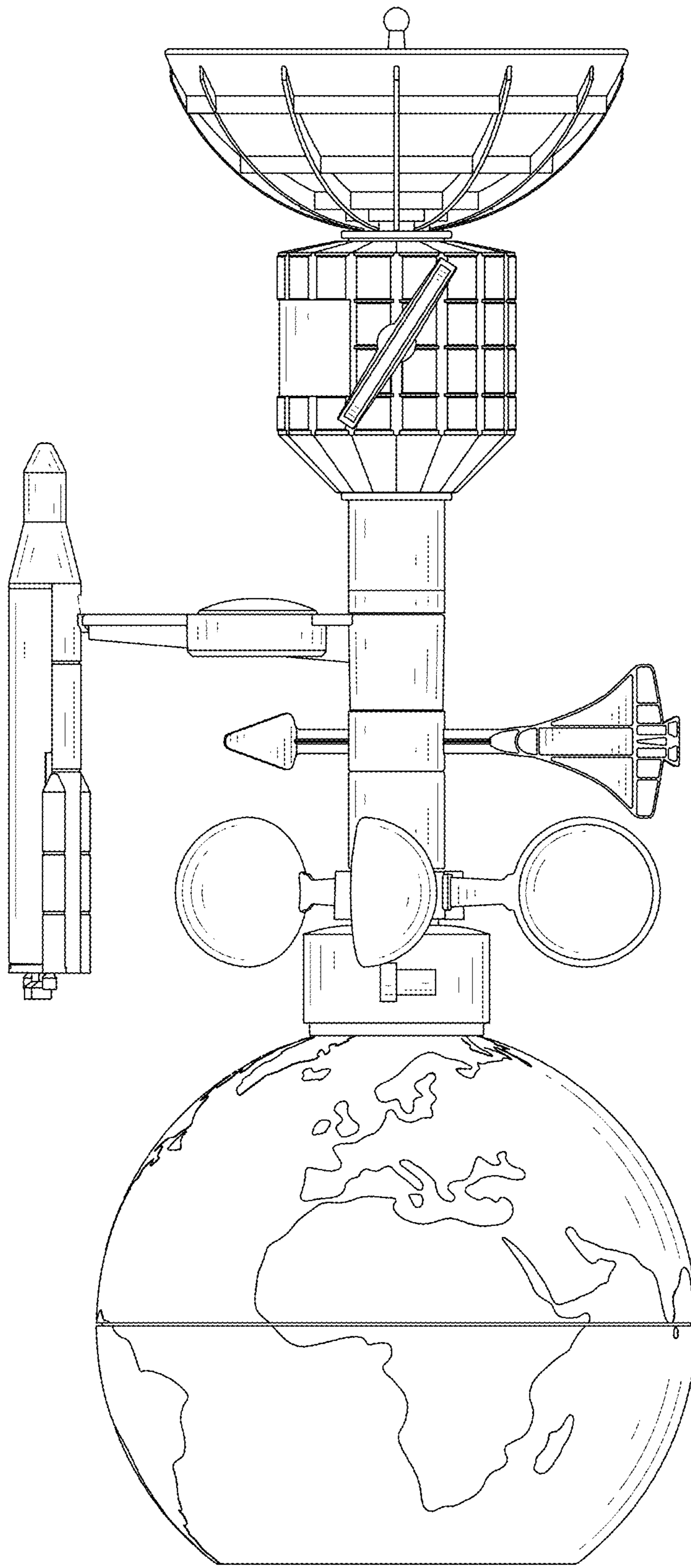


FIG. 6



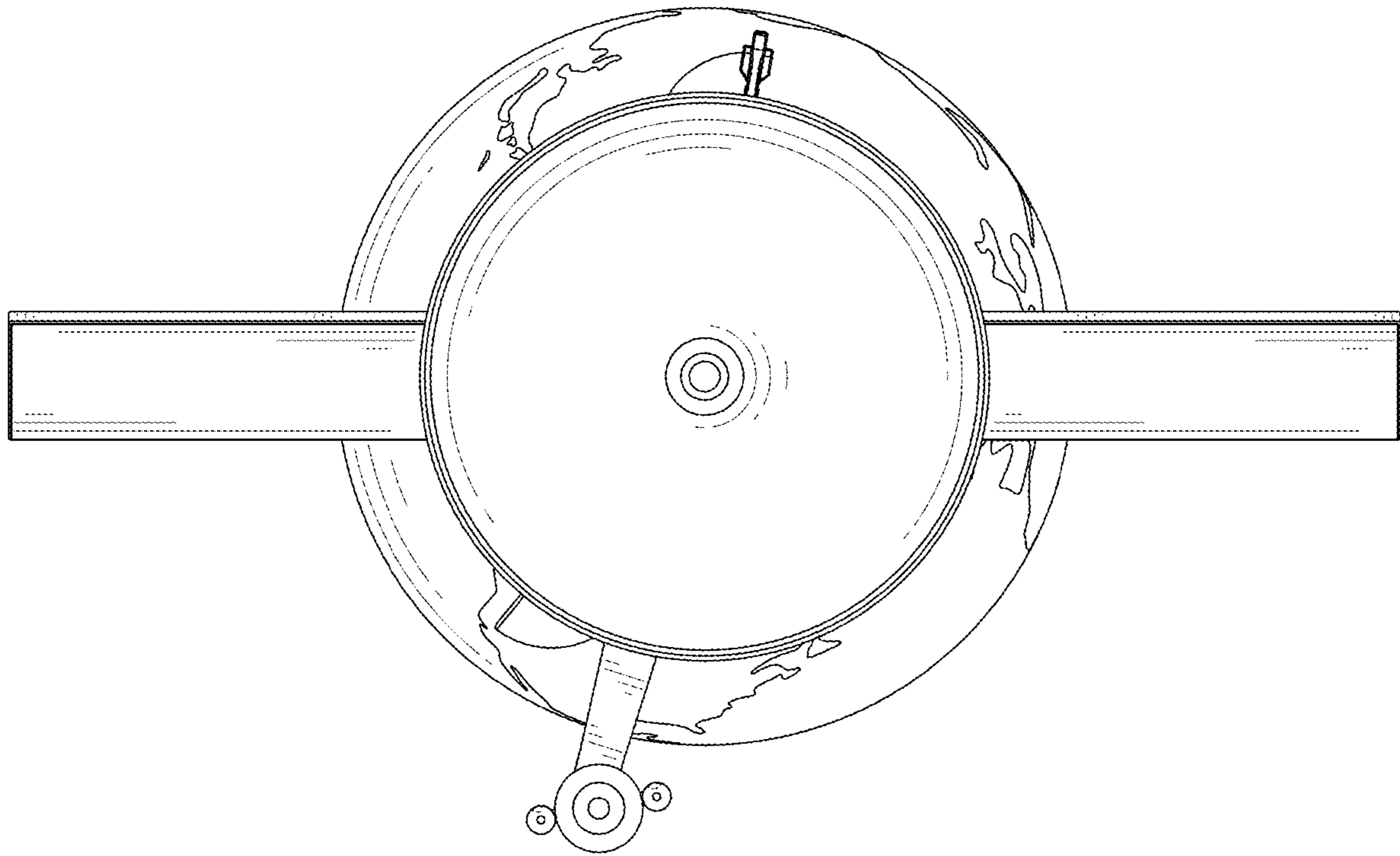


FIG. 7

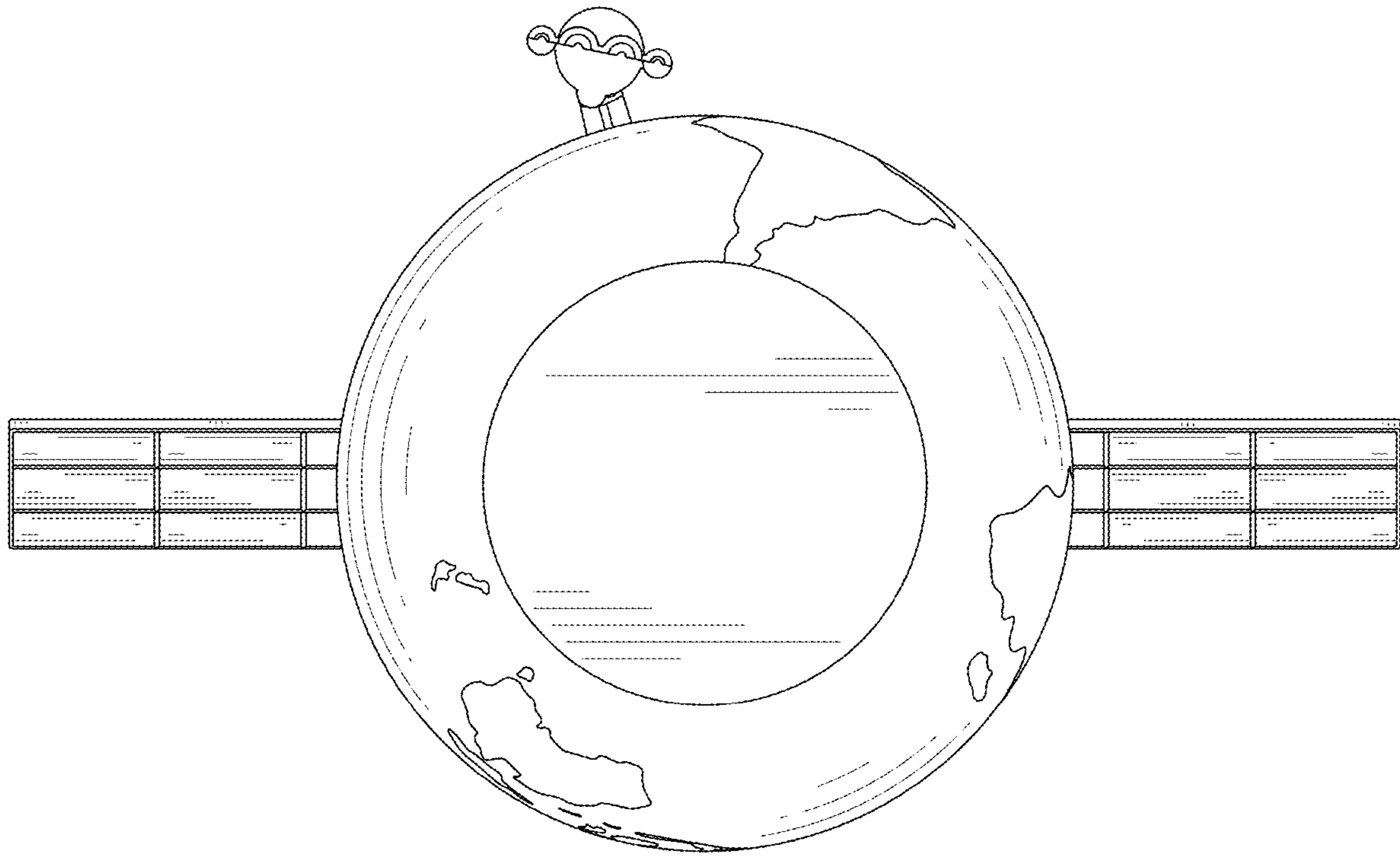


FIG. 8

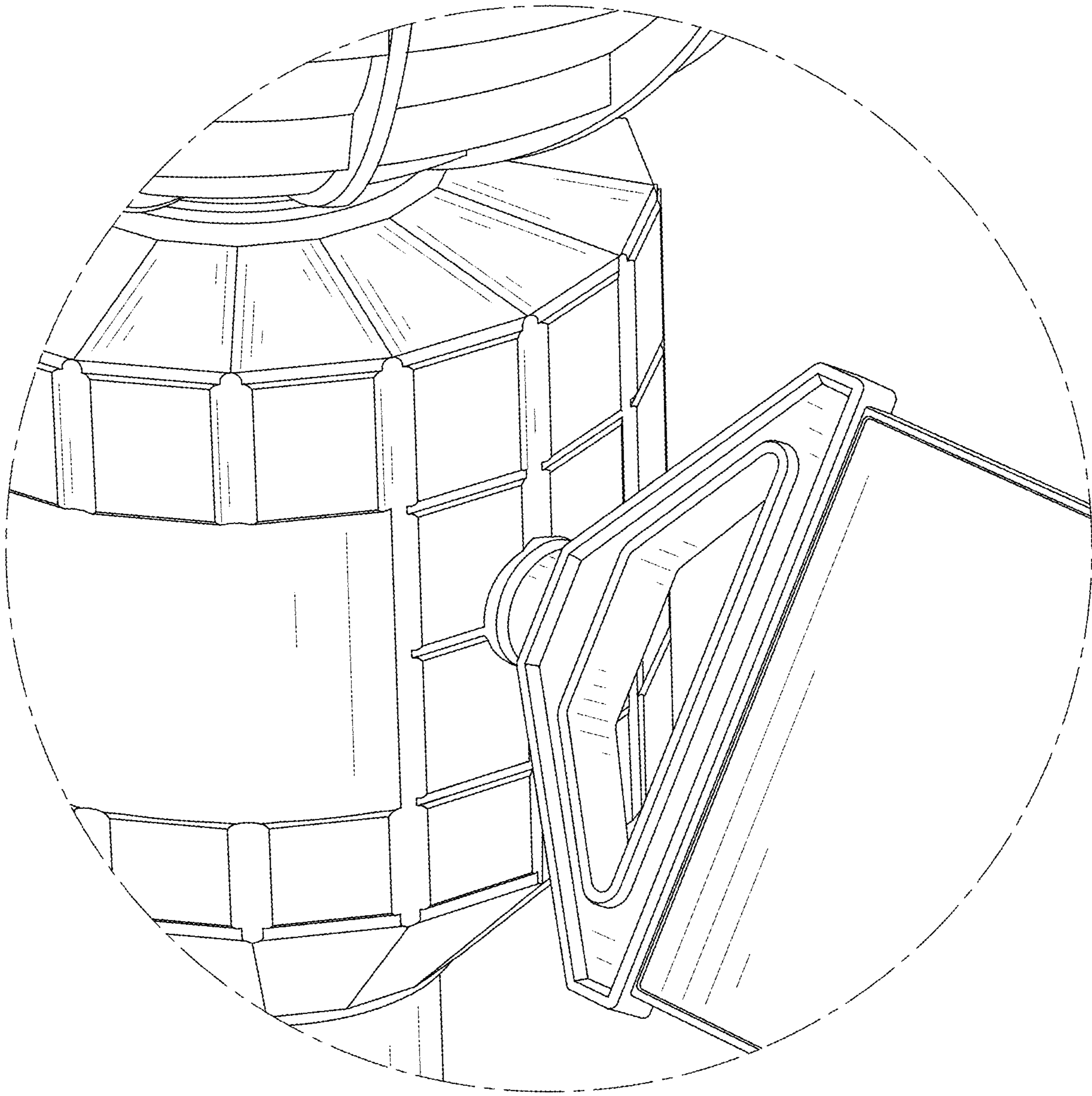


FIG. 9



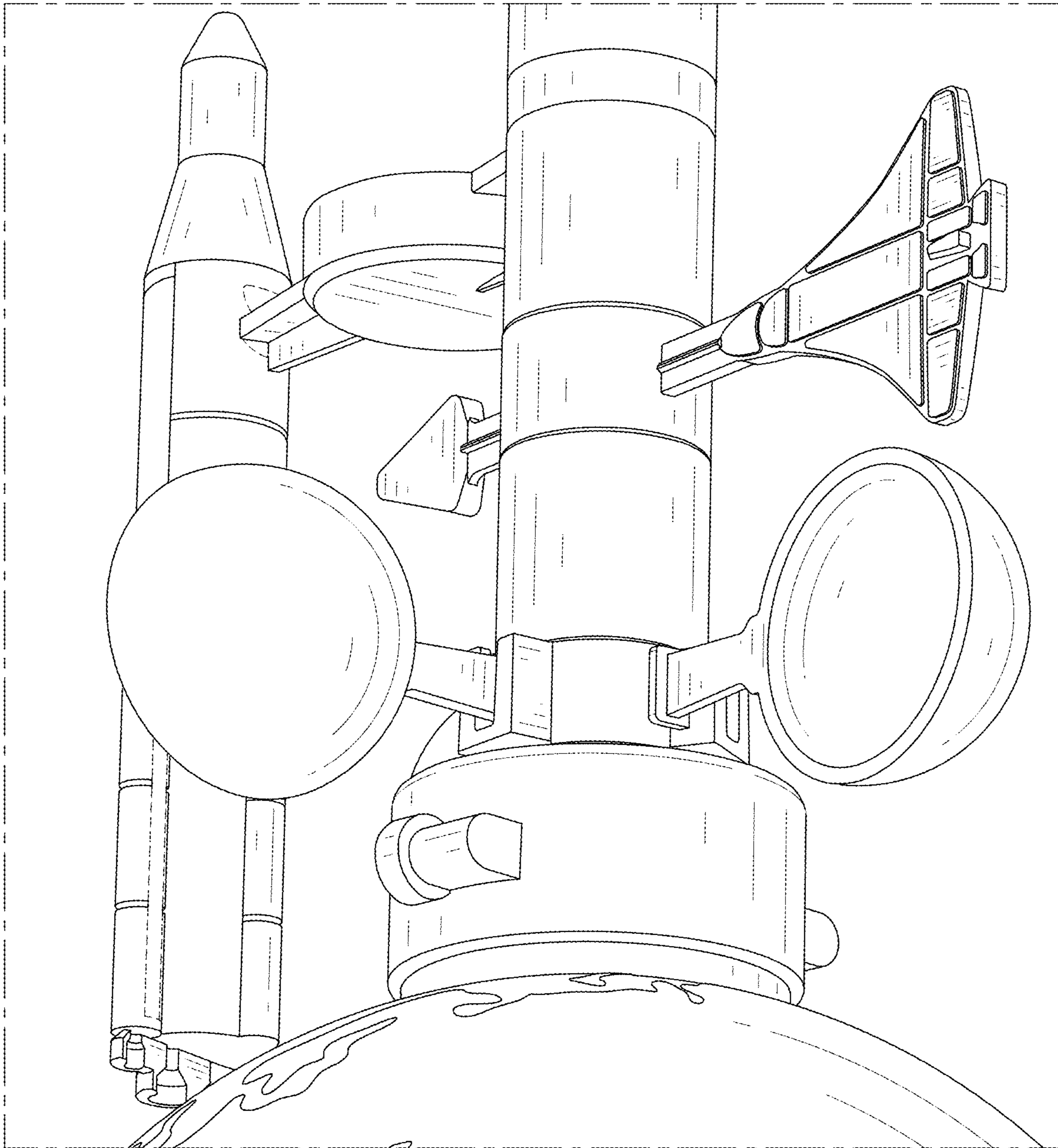


FIG. 10

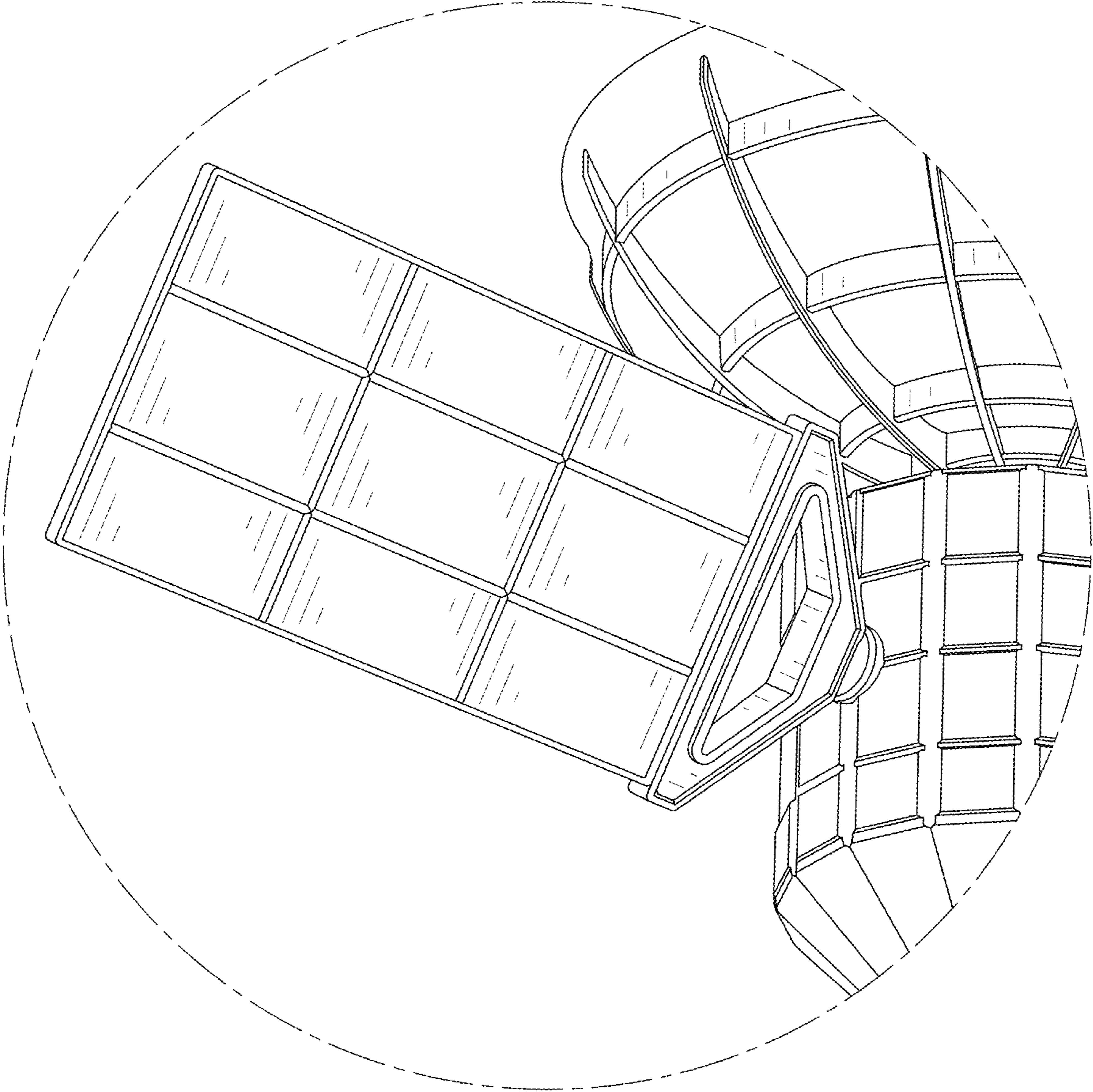


FIG. 11