



US00D893615S

(12) **United States Design Patent** (10) **Patent No.:** **US D893,615 S**
Potts et al. (45) **Date of Patent:** **** Aug. 18, 2020**

(54) **INTERACTIVE GLOBE**

FOREIGN PATENT DOCUMENTS

(71) Applicant: **LeapFrog Enterprises, Inc.**,
Emeryville, CA (US)

CN 300785117 * 5/2008
CN 101847338 9/2010

(Continued)

(72) Inventors: **Alex Potts**, Emeryville, CA (US);
Joseph Michael MacCarthy,
Emeryville, CA (US)

OTHER PUBLICATIONS

(73) Assignee: **Leapfrog Enterprises, Inc.**,
Emeryville, CA (US)

Amazon. Link: https://www.amazon.com/VTech-Flight-Discovery-Amazon-Exclusive/dp/B071ZJ21SV/ref=pd_rhf_se_s_cr_simh_1_7/146-7298353-1229266?_encod%E2%80%A6. Aug. 5, 2018. VTech Light and Flight Discovery Globe Amazon Exclusive. (Year: 2018).*

(Continued)

(**) Term: **15 Years**

Primary Examiner — Lauren D McVey

(21) Appl. No.: **29/647,919**

(74) *Attorney, Agent, or Firm* — Kilpatrick Townsend & Stockton LLP

(22) Filed: **May 16, 2018**

(51) **LOC (12) Cl.** **19-07**

(52) **U.S. Cl.**
USPC **D19/61**

(58) **Field of Classification Search**
USPC D19/59–64
CPC G06N 99/005; G09B 27/00; G09B 27/02;
G09B 27/04; G09B 27/06; G09B 27/08;
A63F 3/0434; A63F 2003/0439; A63F
2003/0442; A63F 2003/0444
See application file for complete search history.

(57) **CLAIM**

The ornamental design for interactive globe, as shown and described.

DESCRIPTION

(56) **References Cited**

U.S. PATENT DOCUMENTS

812,408	A *	2/1906	Dickerson	G09B 23/04 33/1 SA
D185,370	S *	6/1959	Kinosian	D10/10
3,197,893	A *	8/1965	Mariotti	G04B 19/226 368/24
D281,983	S *	12/1985	Yasufuku	D10/10
D387,805	S *	12/1997	Hsu	D19/61
D407,747	S *	4/1999	Liu	D19/26
D417,466	S *	12/1999	Ho	D19/59
6,299,451	B1 *	10/2001	Davila	G09B 27/06 434/142
6,979,197	B2 *	12/2005	Cho	G09B 27/06 434/136

(Continued)

FIG. 1 is a top view of interactive globe showing our new design;

FIG. 2 is a left side view thereof;

FIG. 3 is a front view thereof;

FIG. 4 is a right side view thereof;

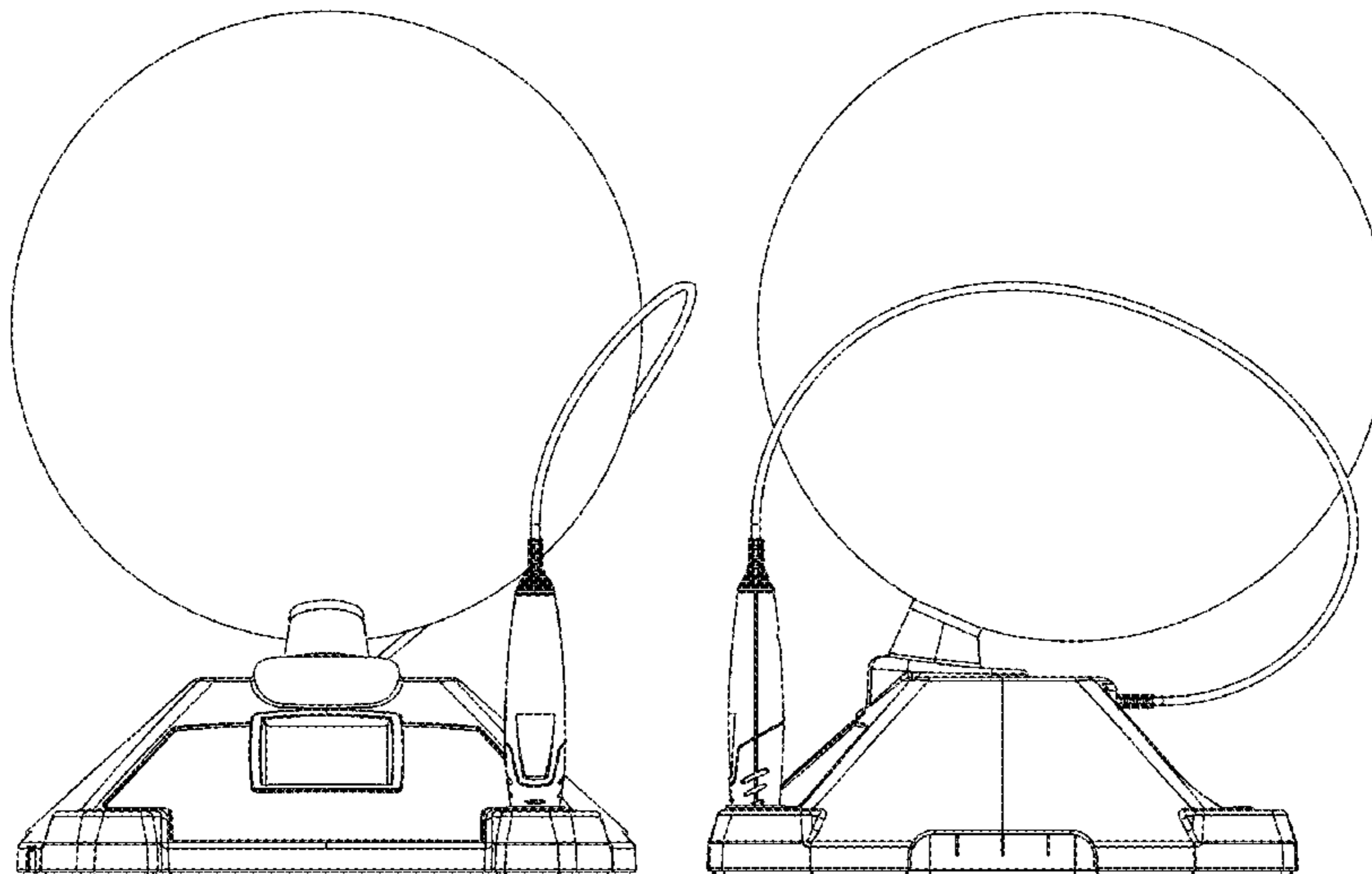
FIG. 5 is a rear view thereof; and,

FIG. 6 is a bottom view thereof.

The wire frame lines shown throughout the views indicate surface contour.

The broken lines immediately adjacent the claimed areas represent the bounds of the claimed design while all other broken lines are directed to environment and are for illustrative purposes only; the broken lines form no part of the claimed design.

1 Claim, 6 Drawing Sheets



(56)

References Cited

U.S. PATENT DOCUMENTS

D531,671 S * 11/2006 Chan D19/61
D547,376 S * 7/2007 Pachler D19/61
8,082,271 B2 * 12/2011 Chan G06F 3/03545
707/781
D847,257 S * 4/2019 Phang D19/61

FOREIGN PATENT DOCUMENTS

CN 305018091 * 1/2019
CN 305131970 * 4/2019
CN 305131970 S 4/2019
EM 005824497-0001 11/2018
EP 2148310 1/2010
JP D1391318 * 6/2010

OTHER PUBLICATIONS

Office Action dated Nov. 27, 2018 for EU Design Application No. 005824497-0001, 2 pages.

Notice of Decision to Grant dated Mar. 20, 2019 for CN Design Application No. CN201830647983.7, 5 pages.

Extended European Search Report for EP Application No. EP19174741.9, dated Oct. 8, 2019, 7 pages.

* cited by examiner

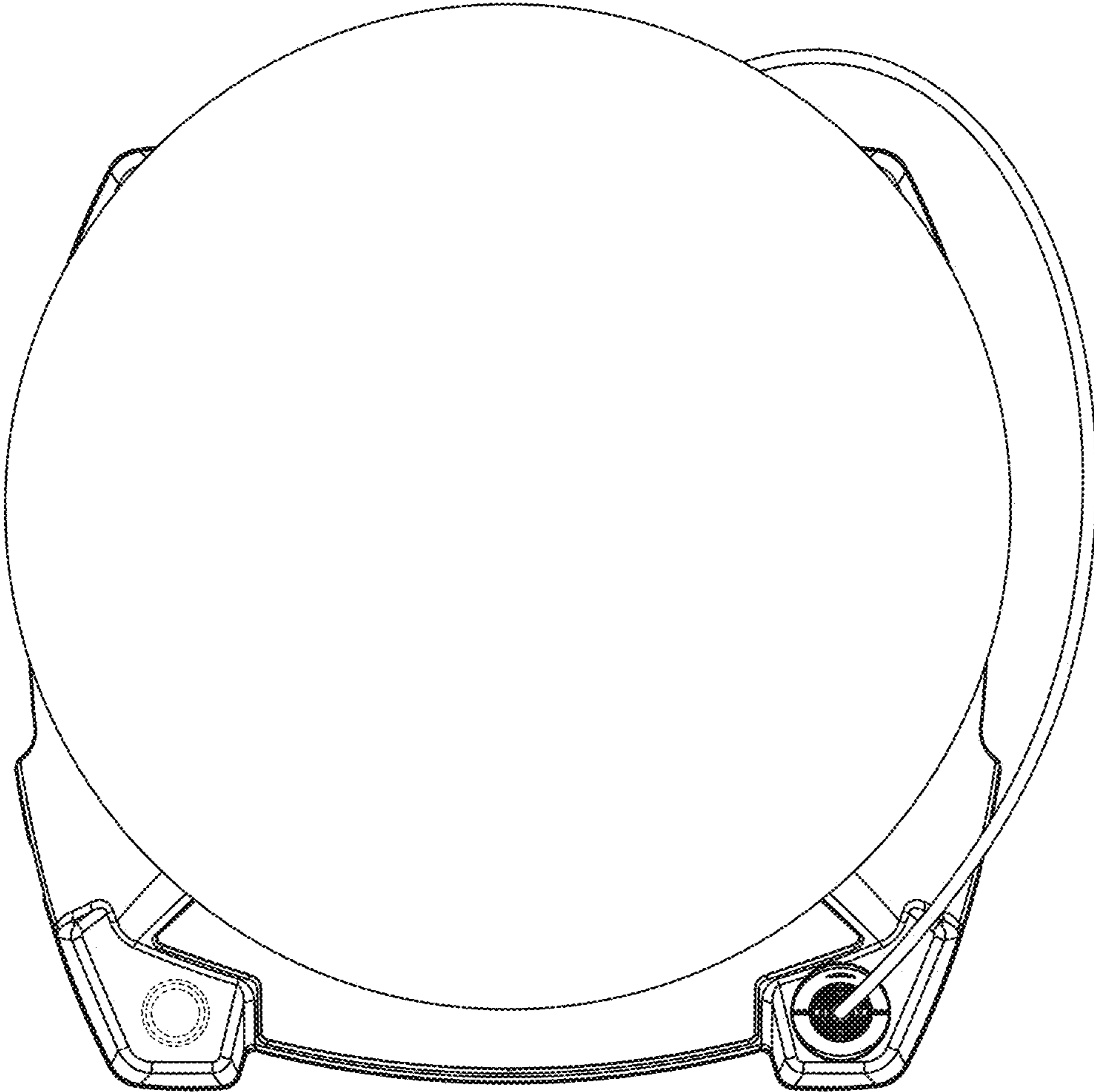


FIG. 1

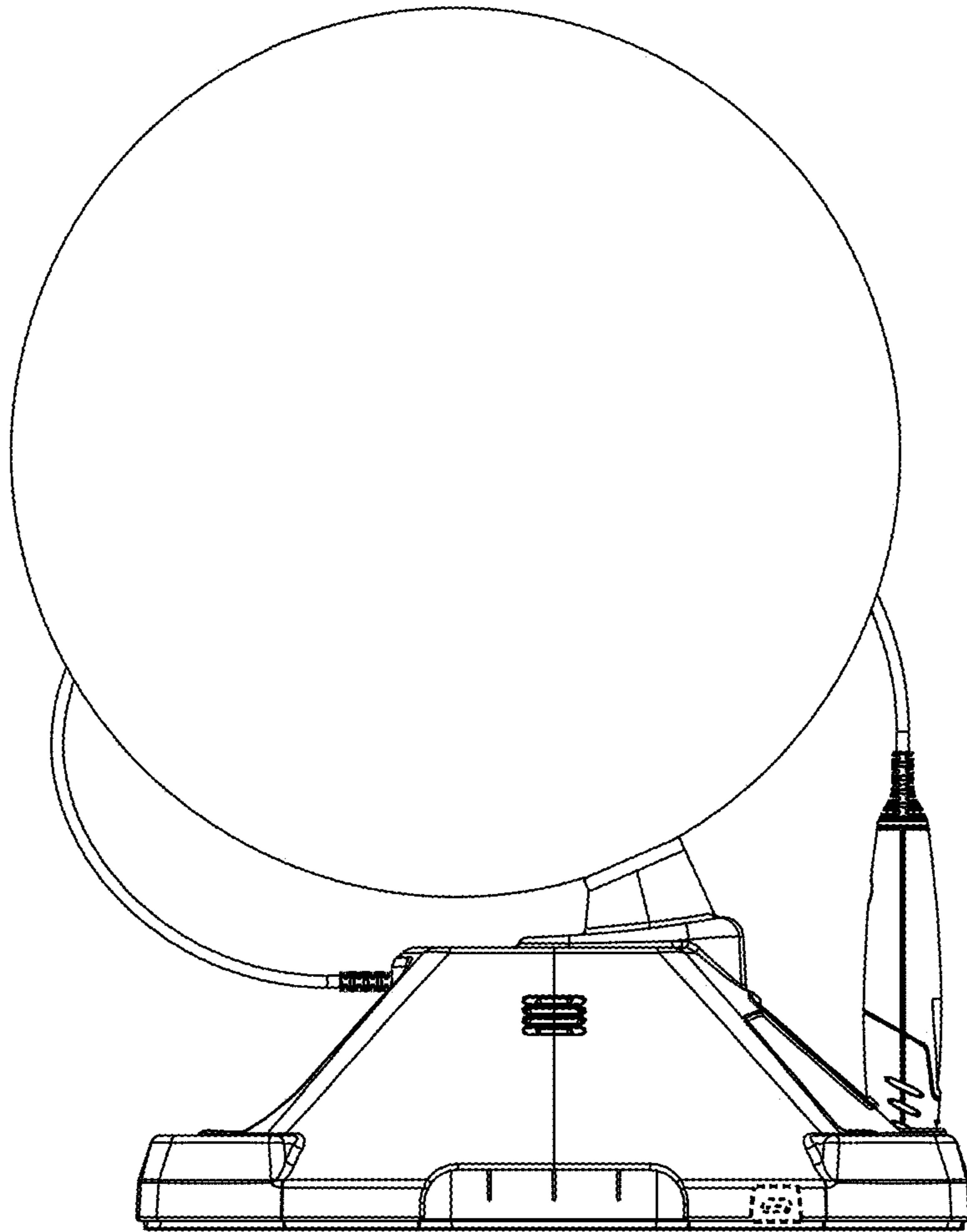


FIG. 2

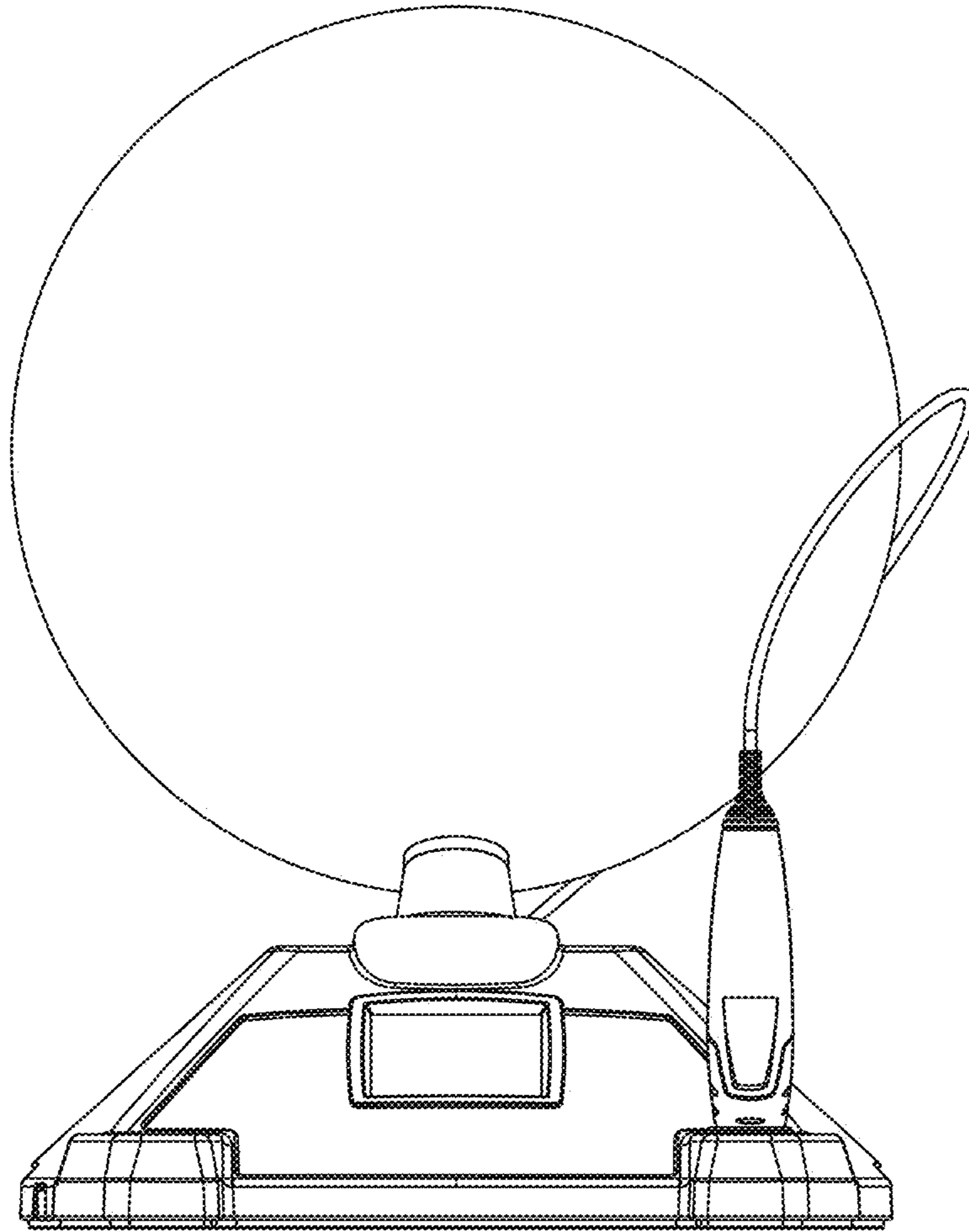


FIG. 3

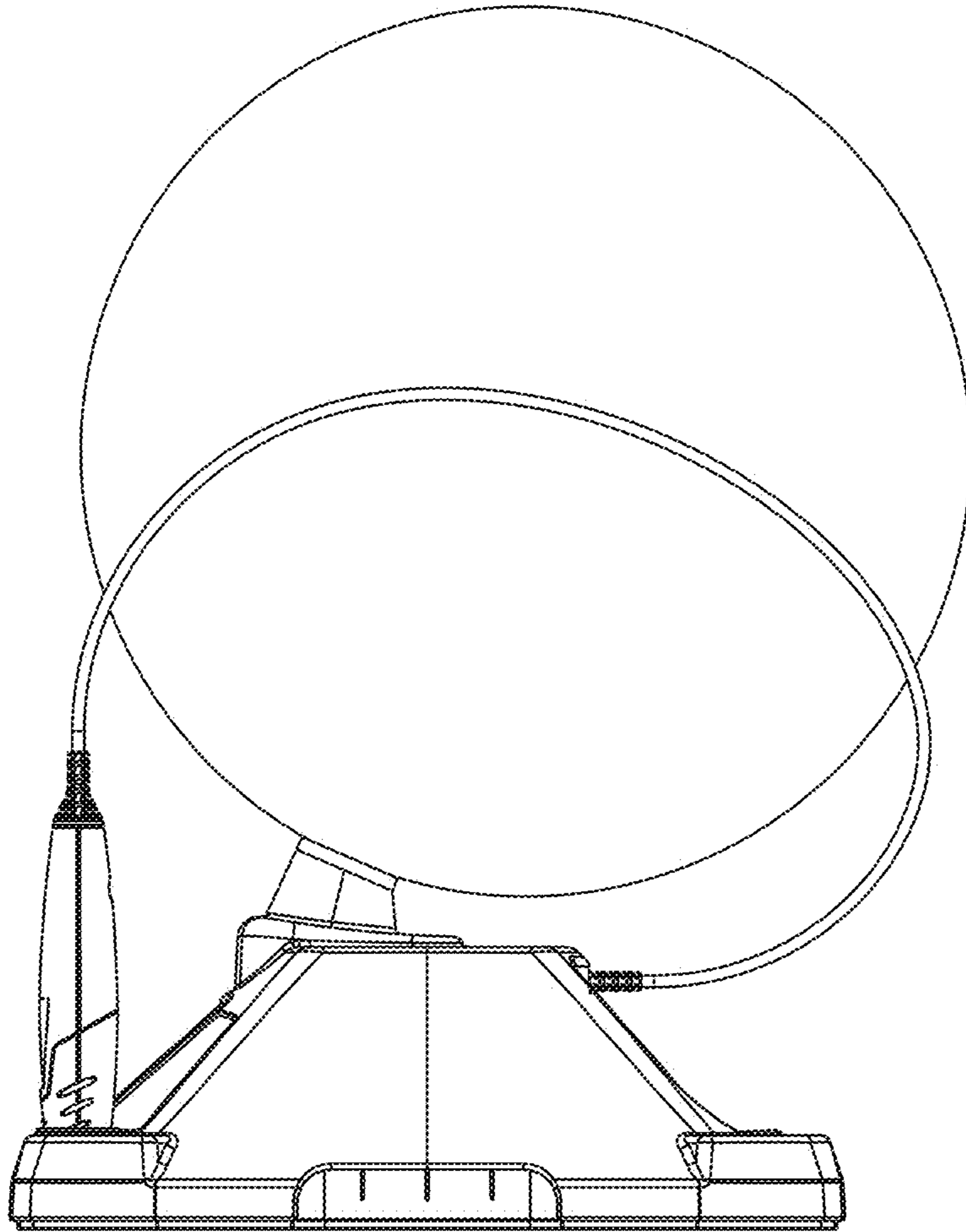


FIG. 4

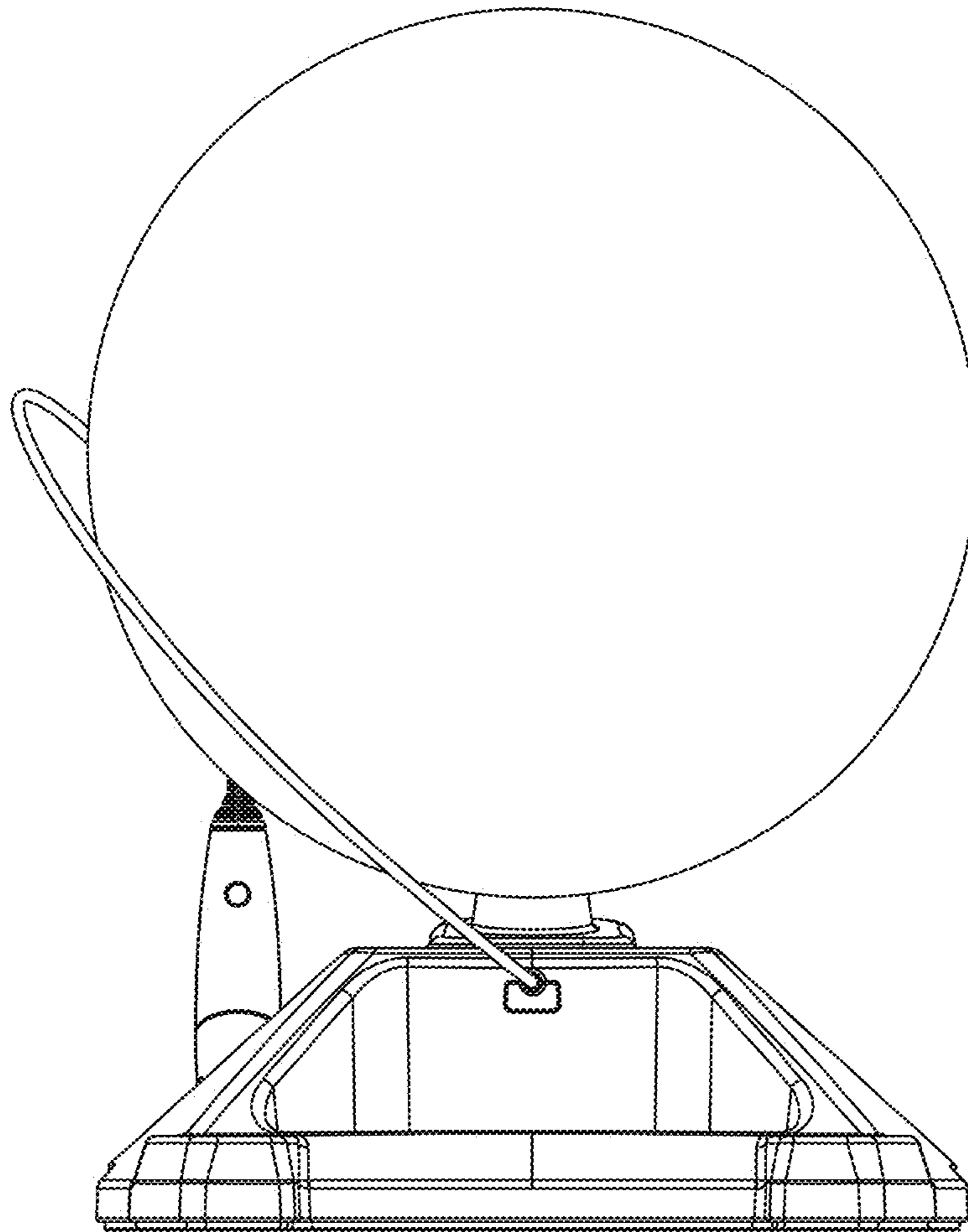


FIG. 5

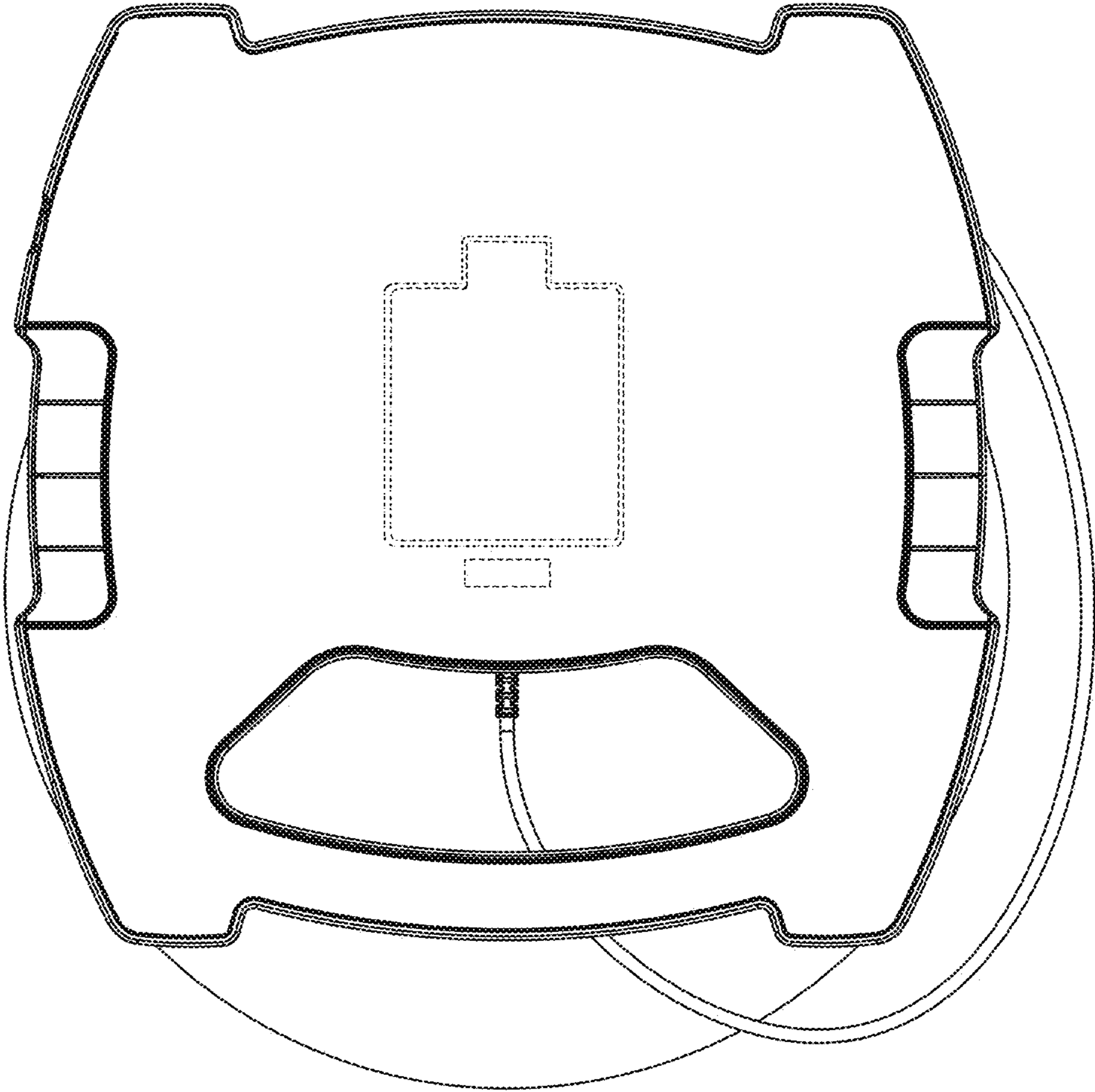


FIG. 6