

US00D893607S

(12) **United States Design Patent**
Vanslette

(10) **Patent No.:** **US D893,607 S**
(45) **Date of Patent:** **** Aug. 18, 2020**

(54) **LABEL**
(71) Applicant: **Apple Inc.**, Cupertino, CA (US)
(72) Inventor: **Jeremy Vanslette**, Santa Clara, CA (US)
(73) Assignee: **Apple Inc.**, Cupertino, CA (US)
(**) Term: **15 Years**

6,679,970 B2 1/2004 Hwang
D509,847 S * 9/2005 Cook, Jr. D19/10
D510,103 S 9/2005 Allard et al.
D526,016 S 8/2006 Allard et al.
D602,522 S 10/2009 Field et al.
D735,807 S * 8/2015 Ehrlich D19/10
D833,527 S * 11/2018 Bagnell D19/10
D835,714 S * 12/2018 Bagnell D19/10
D864,293 S 10/2019 Lowe et al.
D880,584 S 4/2020 Vanslette
2002/0026738 A1 3/2002 Shiga et al.
2012/0193432 A1 8/2012 Biskupski

(21) Appl. No.: **29/730,249**

FOREIGN PATENT DOCUMENTS

(22) Filed: **Apr. 2, 2020**

EP 1130563 A2 9/2001

Related U.S. Application Data

OTHER PUBLICATIONS

(63) Continuation of application No. 29/663,611, filed on Sep. 17, 2018, now Pat. No. Des. 880,584.

Powell, Martha. "28 Lovely Pictures of 20 Dollar iTunes Gift Card," Dealalternativmedizin-heute.info [Webpage]. Dated Nov. 1, 2017. URL: <<http://dealalternativmedizin-heute.info/20-dollar-itunes-gift-card/101127/>>.

(51) **LOC (12) Cl.** **19-08**

(52) **U.S. Cl.**
USPC **D19/10; D19/1**

* cited by examiner

(58) **Field of Classification Search**

USPC D19/1-12; 40/124.01-124.15, 672, 661, 40/726, 776, 617, 633; 229/72, 92, 92.1, 229/300-303; 283/72, 74-75, 103-106; D20/10, 22, 42, 11; D14/435-437
CPC B42D 15/00; B42D 15/022; B42D 15/045; B42D 15/027; B42D 15/042; B42D 25/00; B42D 25/20; B42D 25/23; B42D 25/26; B42D 25/30; B42D 25/285; B42D 2033/00; B42D 2033/02; B42D 2033/04; B42D 2033/08; B42D 2033/10; G06K 19/06196; G06K 19/042

See application file for complete search history.

Primary Examiner — Abraham Bahta
(74) *Attorney, Agent, or Firm* — Sterne, Kessler, Goldstein & Fox P.L.L.C.

(57) **CLAIM**

The ornamental design for a label, as shown and described.

(56) **References Cited**

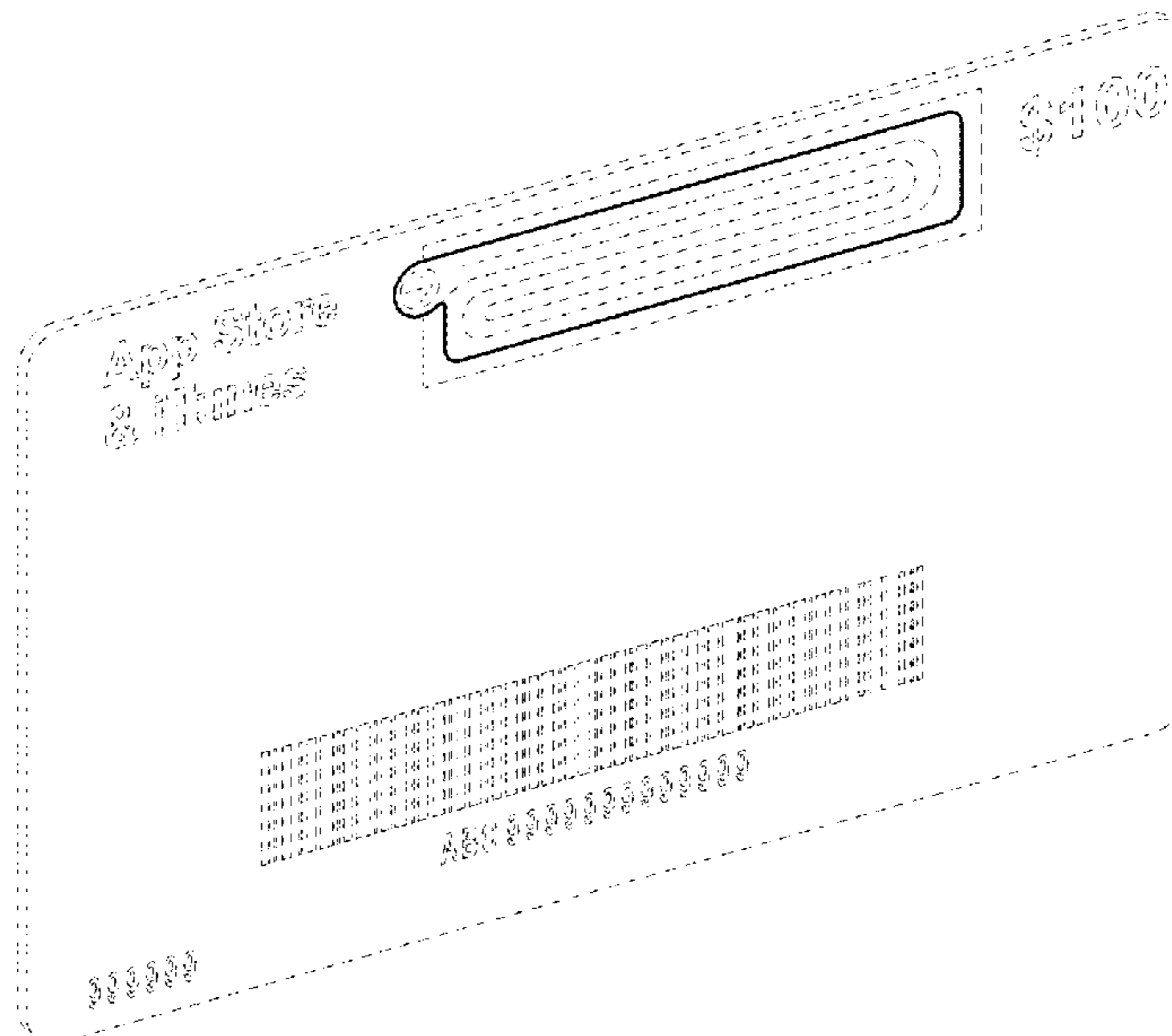
DESCRIPTION

U.S. PATENT DOCUMENTS

D261,905 S * 11/1981 Smith D19/10
5,895,075 A 4/1999 Edwards

FIG. 1 is a top front perspective view of a label showing the claimed design; and, FIG. 2 is a front view thereof. The broken lines in the figures show portions of the label or environment that form no part of the claimed design.

1 Claim, 2 Drawing Sheets



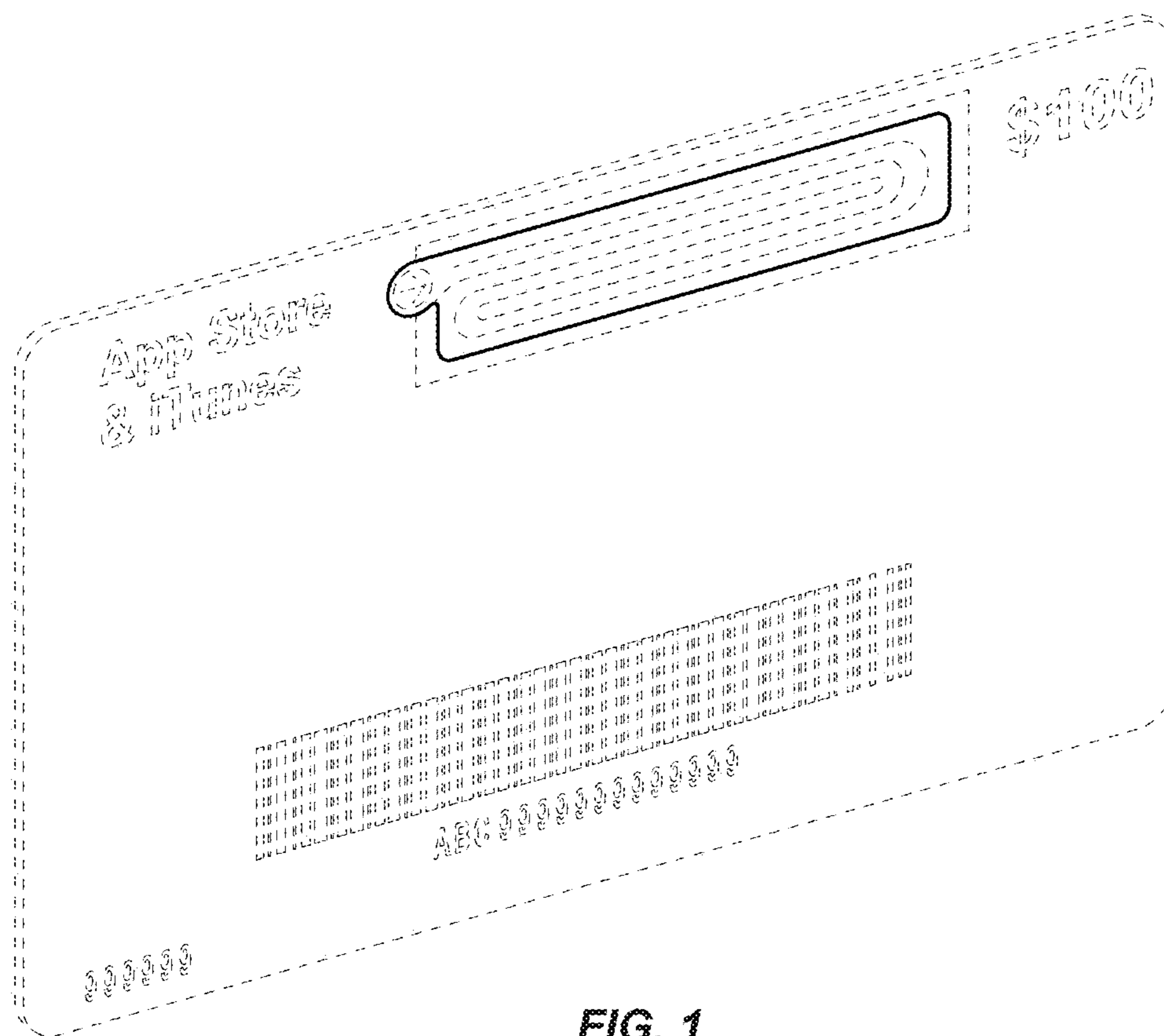


FIG. 1

