



US00D893605S

(12) **United States Design Patent**  
**Guo et al.**

(10) **Patent No.:** **US D893,605 S**  
(45) **Date of Patent:** **\*\* Aug. 18, 2020**

(54) **LABEL CARTRIDGE**

FOREIGN PATENT DOCUMENTS

(71) Applicant: **AIMO MARKING CO., LTD**, Zhuhai,  
Guangdong (CN)

CN 301939855 \* 5/2012  
CN 305473267 \* 12/2019

(Continued)

(72) Inventors: **Jinpeng Guo**, Guangdong (CN); **Wei Du**, Guangdong (CN)

OTHER PUBLICATIONS

(73) Assignee: **AIMO MARKING CO., LTD**, Zhuhai (CN)

Uline. Link: [https://www.uline.com/Product/Detail/S-21860/Brother-P-Touch-Label-Makers-and-Tape/Brother-P-Touch-TZe-Tape-White-on-Black-1-2?pricode=WB0990&gadtype=pla&id=S-21860&gclid=EAla1QobChMI-57P2de54QIVAIYMCh1ZvwCVEAQYAiABEgl03vD\\_BwE&gclid=aw.ds](https://www.uline.com/Product/Detail/S-21860/Brother-P-Touch-Label-Makers-and-Tape/Brother-P-Touch-TZe-Tape-White-on-Black-1-2?pricode=WB0990&gadtype=pla&id=S-21860&gclid=EAla1QobChMI-57P2de54QIVAIYMCh1ZvwCVEAQYAiABEgl03vD_BwE&gclid=aw.ds). Visited Apr. 5, 2019. Brother® P-Touch®. (Year: 2019).\*

(\*\*) Term: **15 Years**

(21) Appl. No.: **29/705,765**

(22) Filed: **Sep. 16, 2019**

Primary Examiner — Lauren D McVey

**Related U.S. Application Data**

(63) Continuation-in-part of application No. 29/623,792, filed on Oct. 26, 2017, now abandoned.

(57) **CLAIM**

The ornamental design for a label cartridge, as shown and described.

(30) **Foreign Application Priority Data**

Jul. 27, 2017 (CN) ..... 2017 3 0336115

(51) **LOC (12) Cl.** ..... **18-02**

(52) **U.S. Cl.**  
USPC ..... **D18/56**

(58) **Field of Classification Search**  
USPC ..... D18/56, 12  
CPC ..... B41J 3/4075; B65C 11/00; B65C 11/02; B65C 11/0205; B65C 11/021; B65C 11/0215; B65C 11/0221; B65C 11/0226; B65C 11/0231; B65C 11/0236; B65C 11/0242; B65C 11/0252; B65C 11/0257;  
(Continued)

**DESCRIPTION**

FIG. 1 is a top, front and left side perspective view of a label cartridge showing our new design; FIG. 2 is a rear and left side perspective view thereof; FIG. 3 is a bottom, rear and left side perspective view thereof; FIG. 4 is a top, front and right side perspective view thereof; FIG. 5 is a top, rear and right side perspective view thereof; FIG. 6 is a front elevational view thereof; FIG. 7 is a rear elevational view thereof; FIG. 8 is a left side view thereof; FIG. 9 is a right side view thereof; FIG. 10 is a top plan view thereof; and, FIG. 11 is a bottom plan view thereof. The broken lines immediately adjacent to the shaded areas depict the bounds of the claimed design, while all other broken lines are directed to environment. The broken lines form no part of the claimed design.

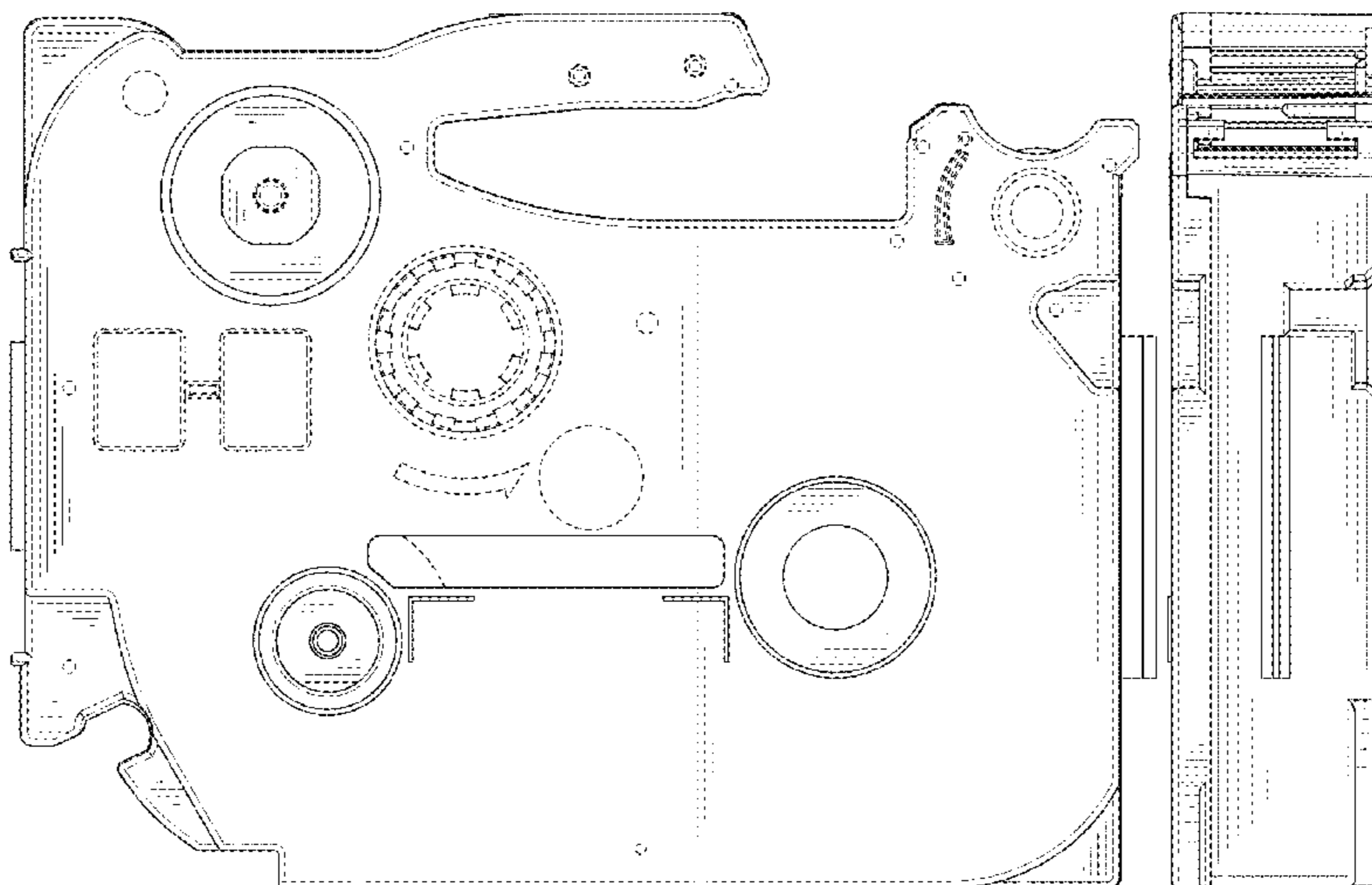
(56) **References Cited**

U.S. PATENT DOCUMENTS

5,771,803 A \* 6/1998 Takami ..... B41C 1/144  
101/128.21  
5,813,773 A \* 9/1998 Kawai ..... B41J 32/00  
400/207

(Continued)

**1 Claim, 11 Drawing Sheets**



(58) **Field of Classification Search**

CPC ..... B65C 11/0268; B65C 11/0273; B65C  
11/0284; B65C 11/0289; B65C 11/0294;  
B65C 11/04; B65C 11/046; B65C 11/06;  
B65C 11/062; B65C 11/064; B65C  
11/066; B65C 11/068

See application file for complete search history.

(56) **References Cited**

U.S. PATENT DOCUMENTS

D647,127 S \* 10/2011 Mita ..... D18/12  
D656,541 S \* 3/2012 Ko ..... D18/56  
D791,230 S \* 7/2017 Nakai ..... D18/56  
D858,628 S \* 9/2019 Guo ..... D18/56  
D865,861 S \* 11/2019 Nishihara ..... D18/56  
2006/0198681 A1\* 9/2006 Yamamoto ..... B41J 3/4075  
400/120.16  
2006/0216099 A1\* 9/2006 Sakano ..... B41J 3/4075  
400/615.2  
2006/0216100 A1\* 9/2006 Minoya ..... B41J 3/4075  
400/619  
2006/0233582 A1\* 10/2006 Horiuchi ..... B41J 15/044  
400/208  
2008/0181703 A1\* 7/2008 Ito ..... B41J 3/4075  
400/61  
2010/0247206 A1\* 9/2010 Yamaguchi ..... B41J 15/044  
400/207

FOREIGN PATENT DOCUMENTS

JP 2008293646 A \* 12/2008 ..... G11B 23/30  
WO WO-0110649 A1 \* 2/2001 ..... B41J 31/12

\* cited by examiner

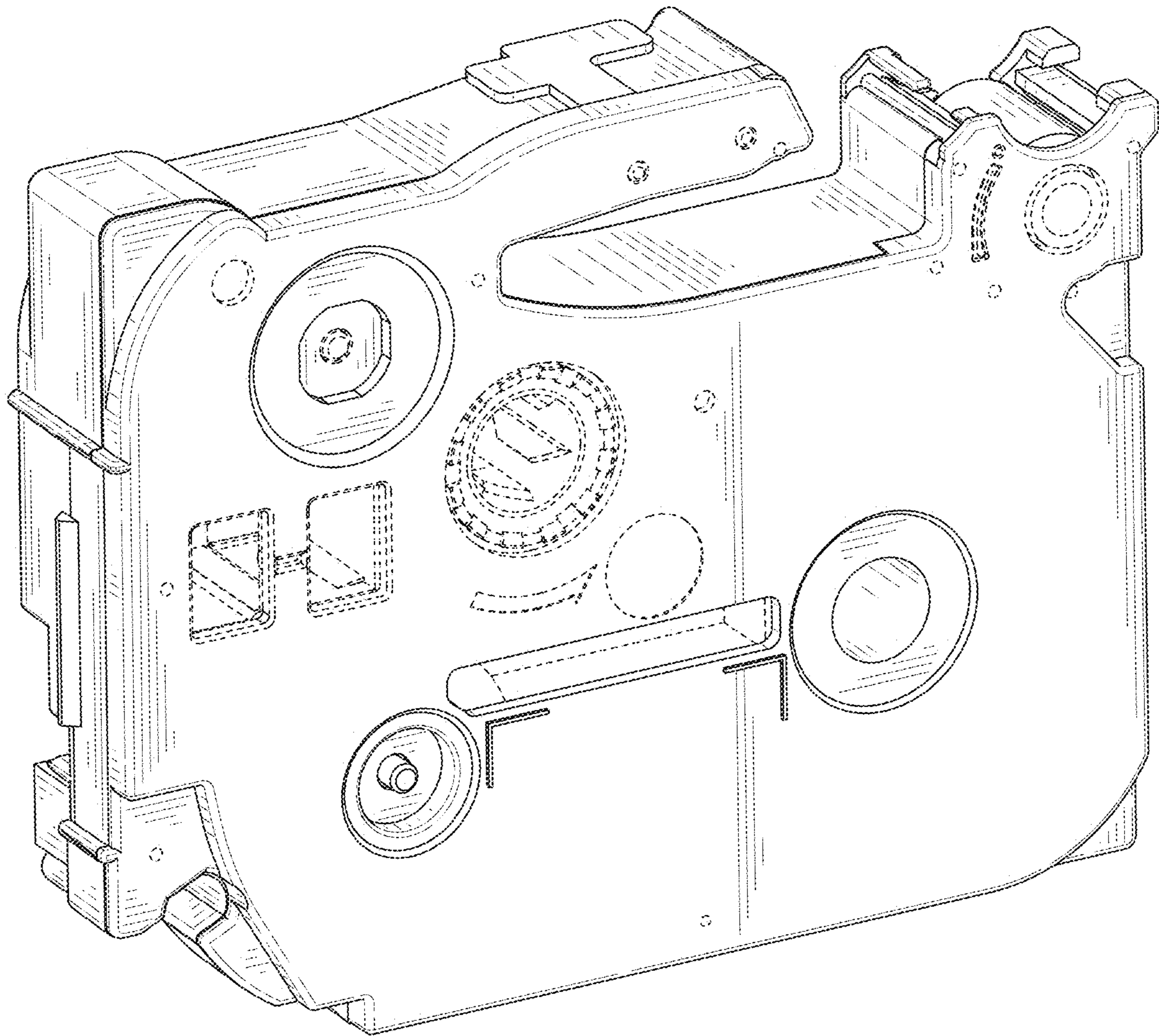


FIG. 1

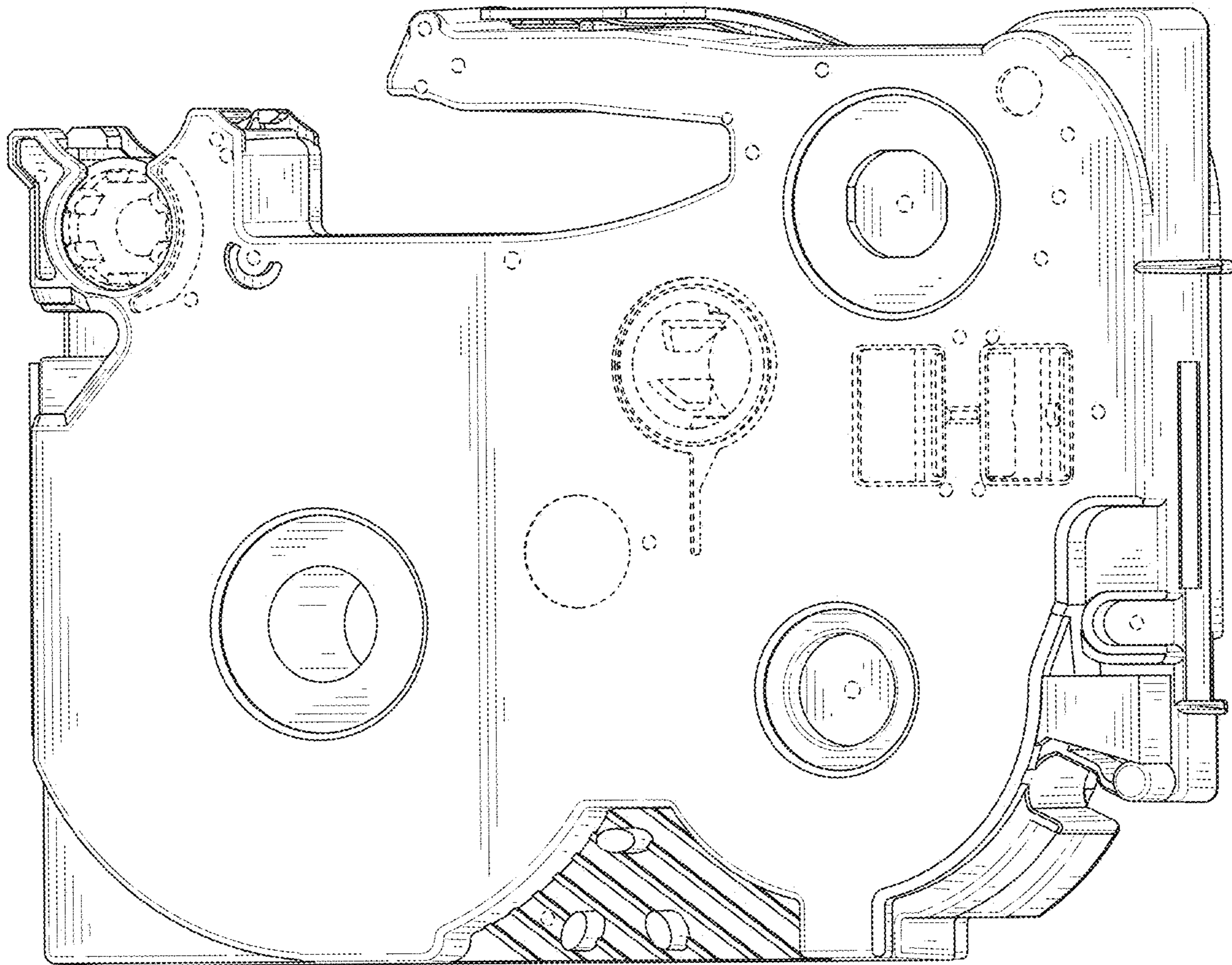


FIG. 2

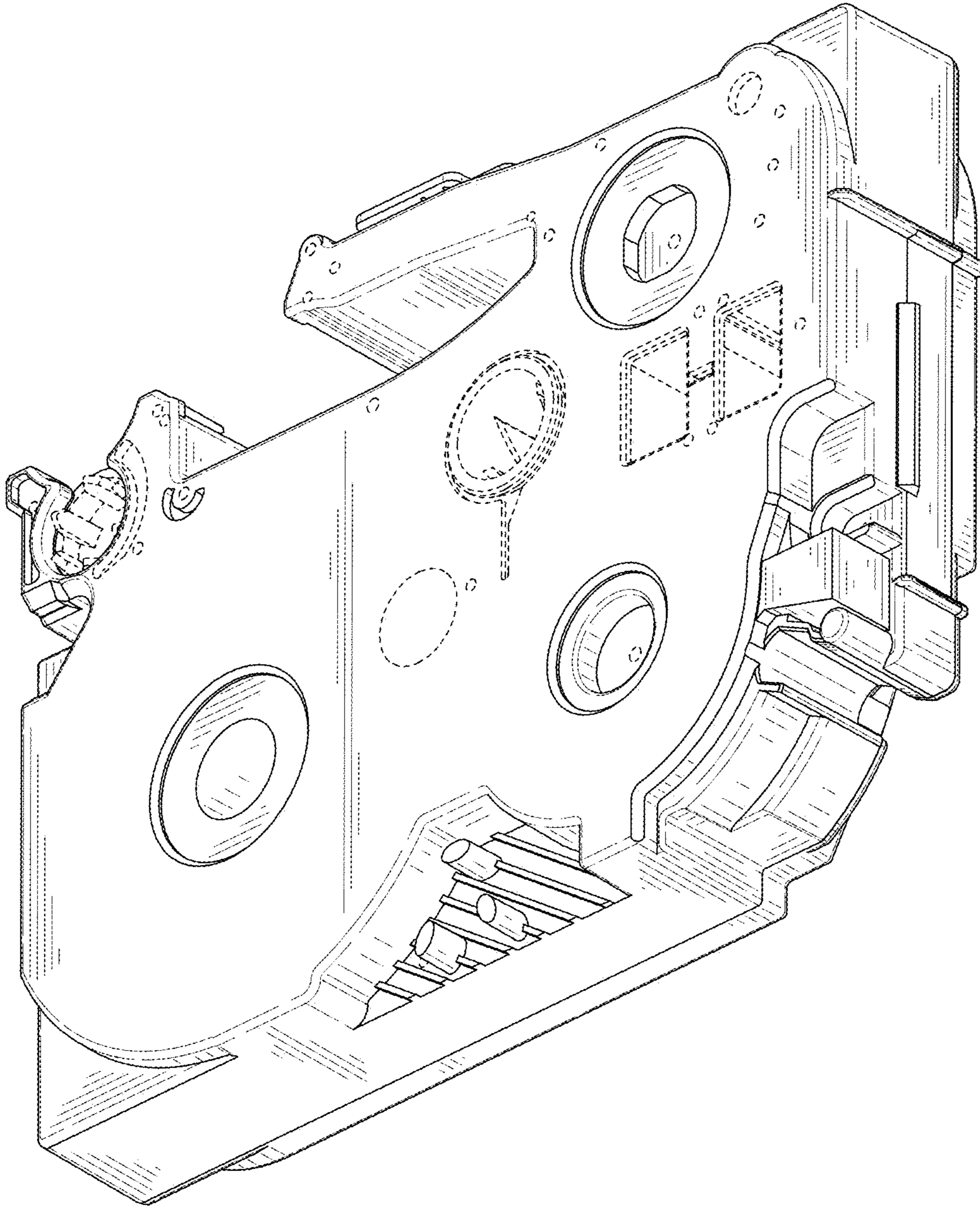


FIG. 3

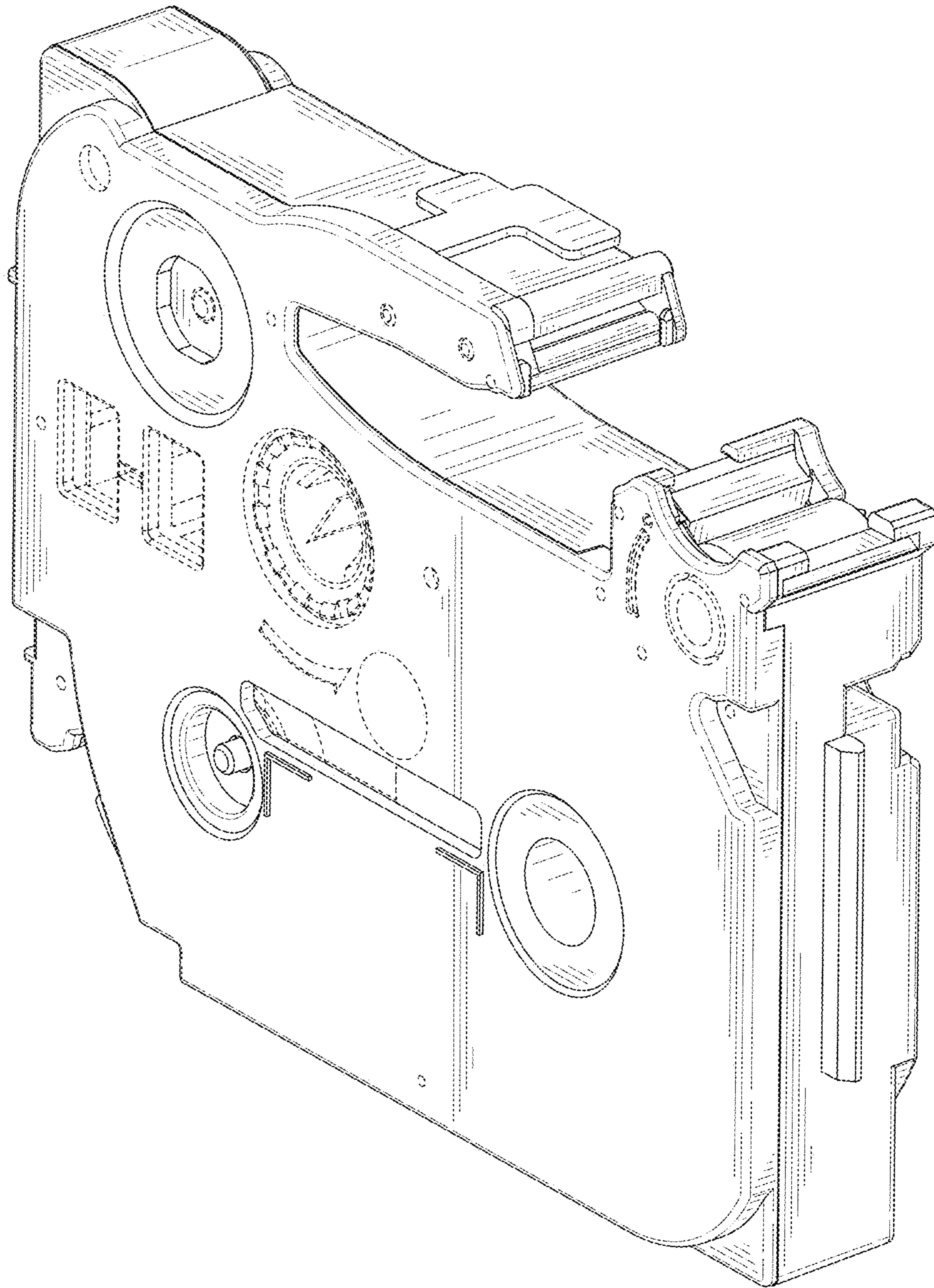


FIG. 4

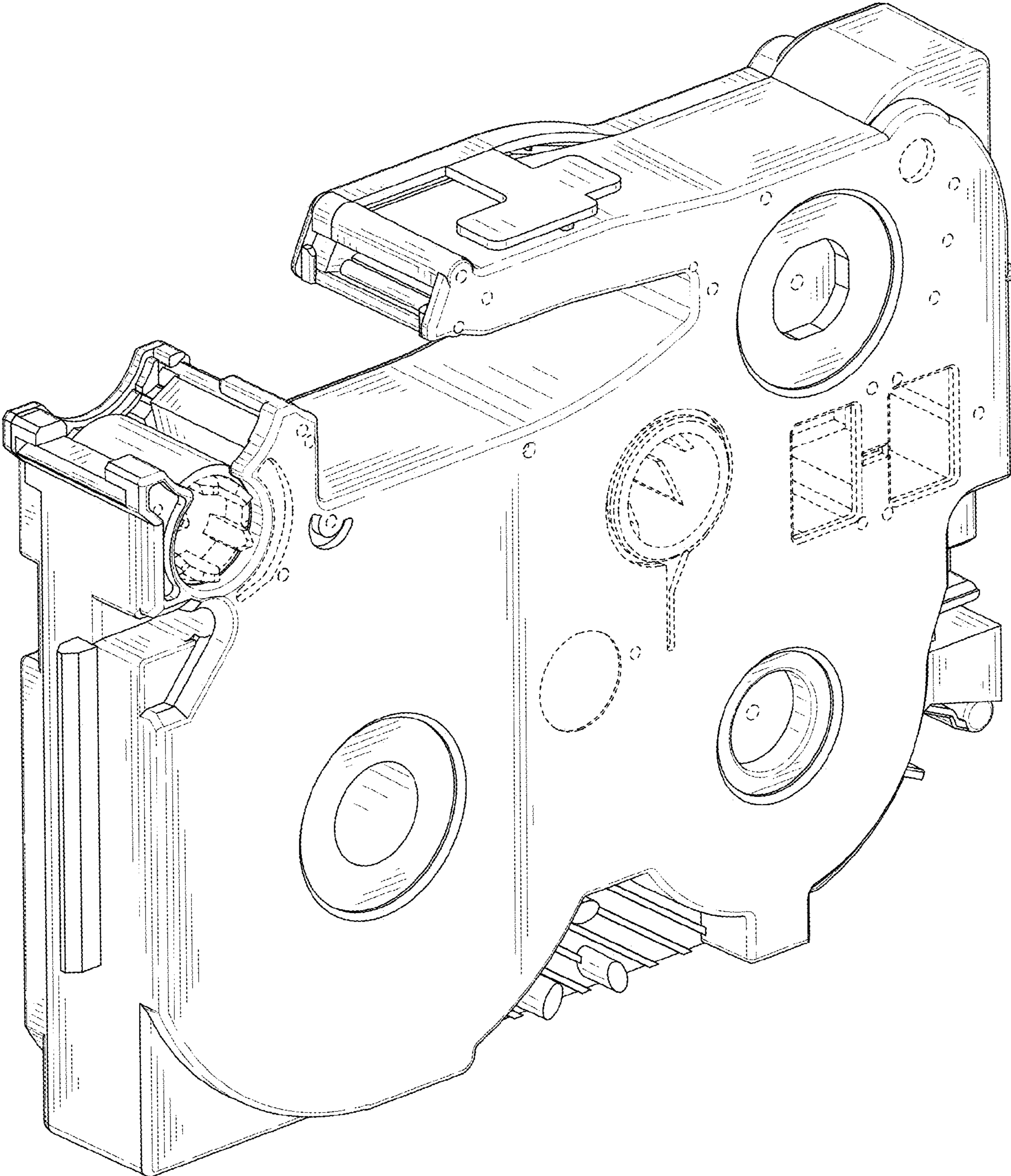


FIG. 5

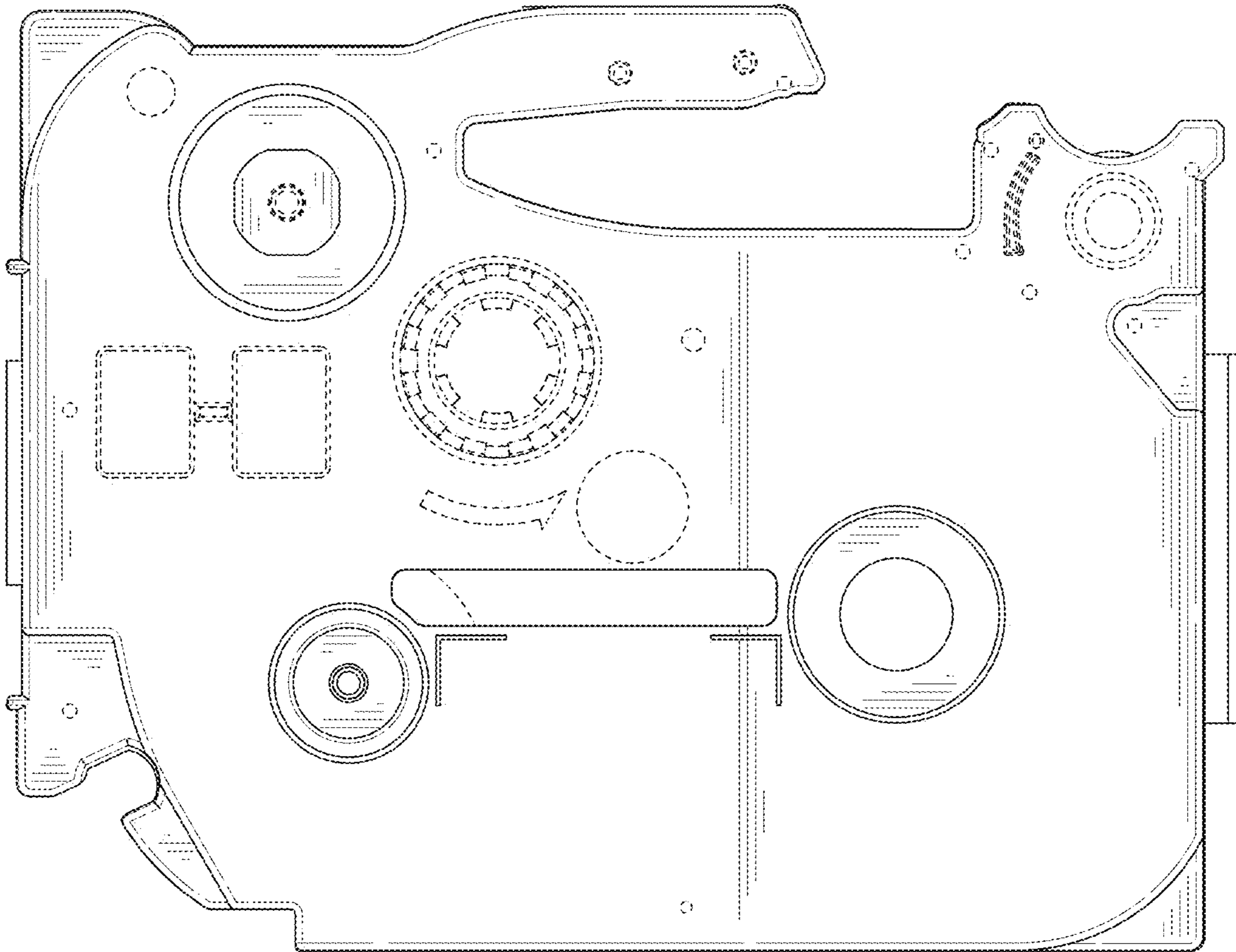


FIG. 6



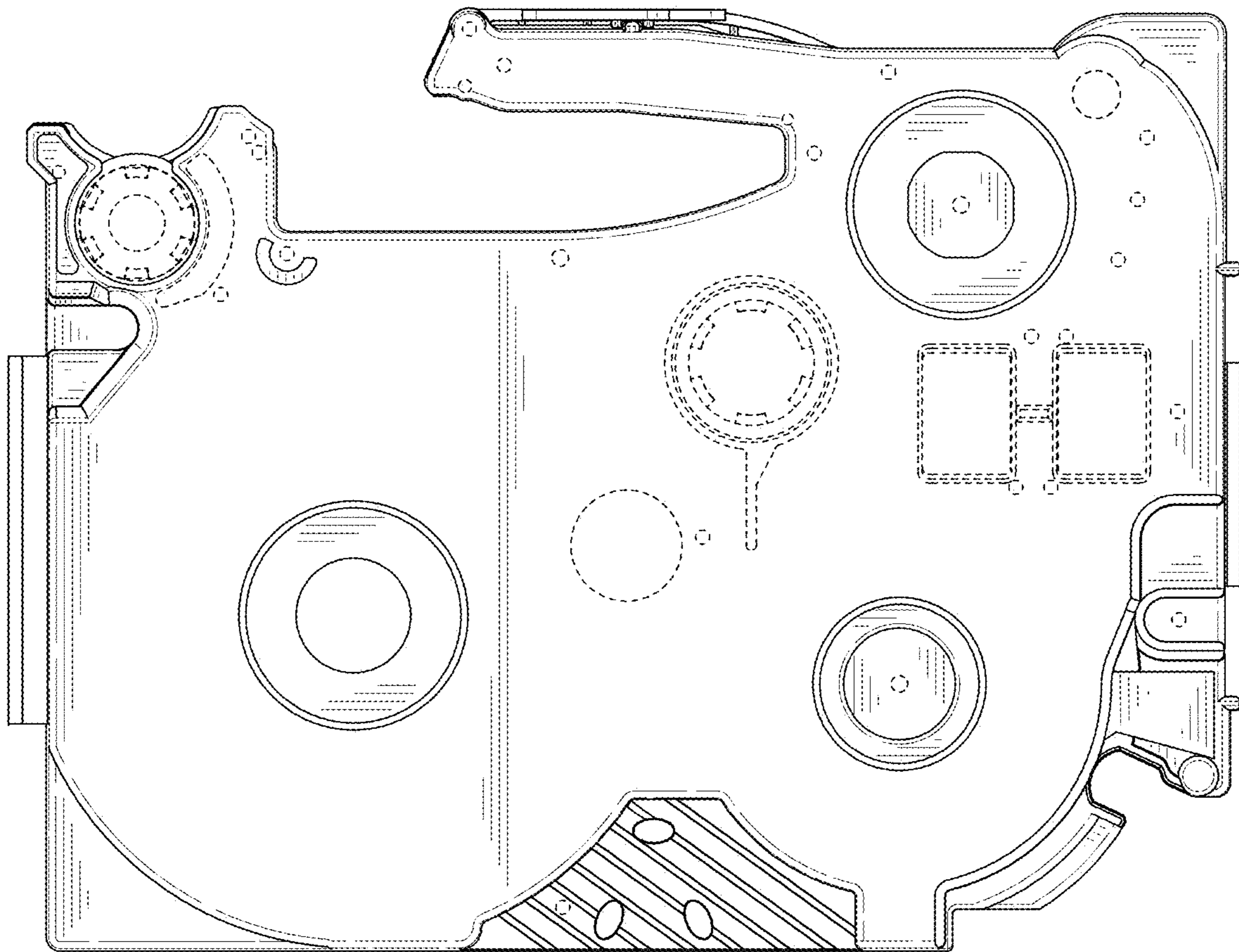


FIG. 7

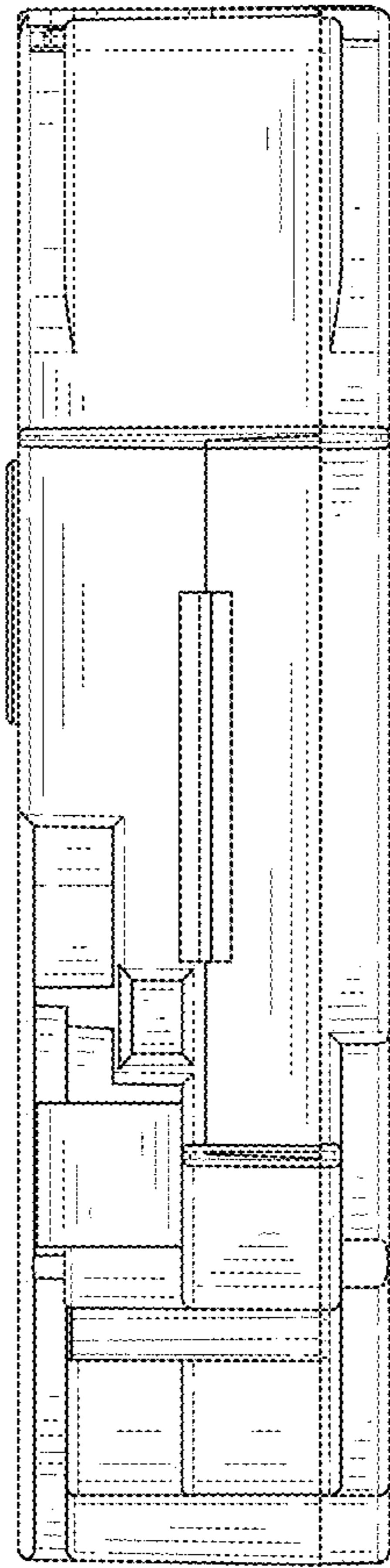


FIG. 8

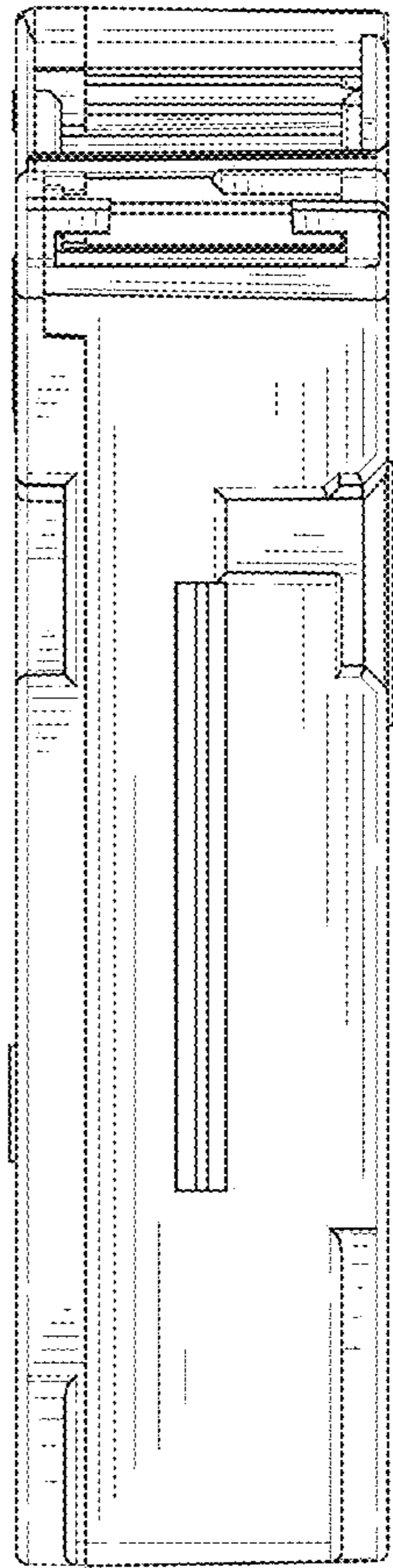


FIG. 9

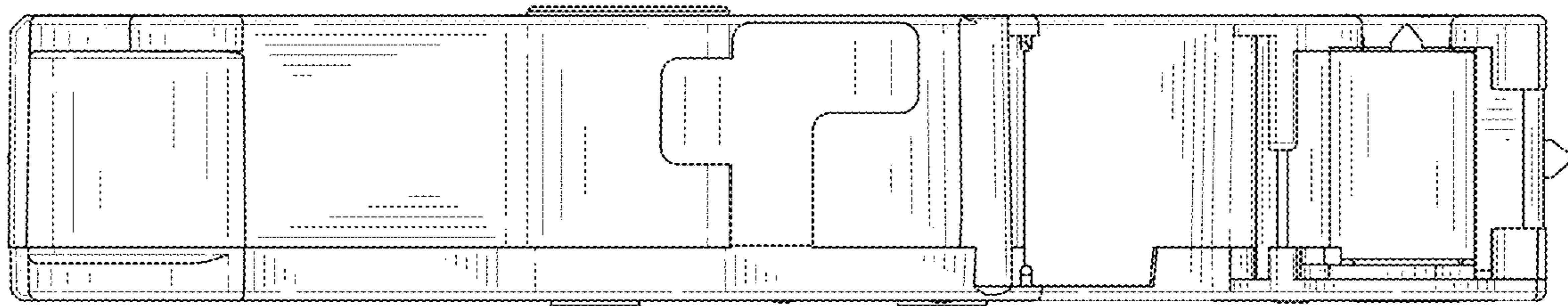


FIG. 10

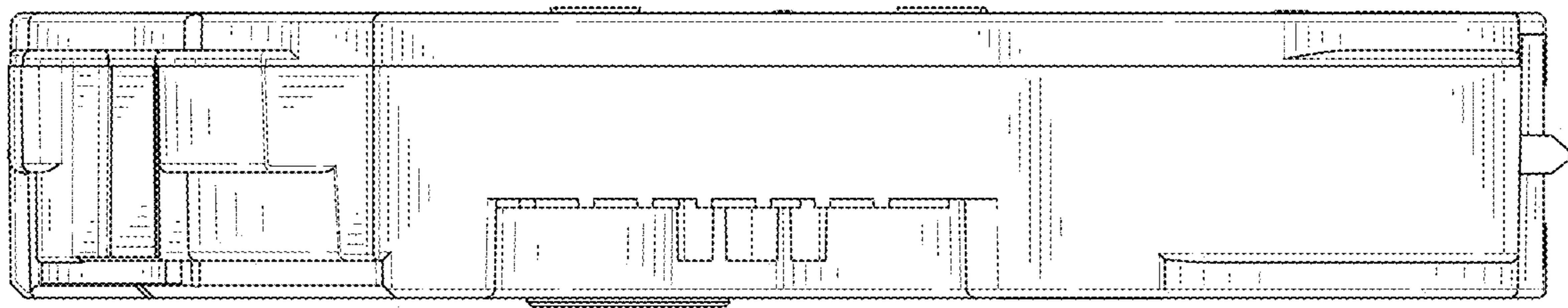


FIG. 11