



US00D893604S

(12) **United States Design Patent**
Sheng et al.

(10) **Patent No.:** **US D893,604 S**

(45) **Date of Patent:** **** Aug. 18, 2020**

(54) **MULTI-FUNCTION PRINTER**

(71) Applicant: **AVISION INC.**, Hsinchu (TW)

(72) Inventors: **Shao-Lan Sheng**, Hsinchu (TW);
Chao-Yu Peng, Hsinchu (TW)

(73) Assignee: **AVISION INC.**, Hsinchu (TW)

(**) Term: **15 Years**

(21) Appl. No.: **29/664,501**

(22) Filed: **Sep. 26, 2018**

(30) **Foreign Application Priority Data**

Sep. 7, 2018 (TW) 107305326

(51) **LOC (12) Cl.** **14-02**

(52) **U.S. Cl.**
USPC **D18/55**

(58) **Field of Classification Search**
USPC D18/59, 55, 50, 53, 54, 56, 36, 37, 38,
D18/39, 40, 41, 45, 49; D14/121, 301,
D14/307

CPC H04N 1/00204; H04N 1/00249; H04N
1/00278; G06K 15/12; G06K 15/14; B41J
3/00; B41J 3/28; B41J 3/445; B41J 3/46
See application file for complete search history.

(56) **References Cited**

U.S. PATENT DOCUMENTS

D661,346 S *	6/2012	Suzuki	D18/55
D673,603 S *	1/2013	Suzuki	D18/55
D689,543 S *	9/2013	Seki	D18/50
D694,316 S *	11/2013	Jihoon	D18/50
D694,318 S *	11/2013	Jihoon	D18/50
D729,310 S *	5/2015	Nakagawa	D18/50
D758,486 S *	6/2016	Nakagawa	D18/55
D792,508 S *	7/2017	Nakagawa	D18/50
D807,427 S *	1/2018	Tashima	D18/50
D808,461 S *	1/2018	Tashima	D18/55

D809,592 S *	2/2018	Tashima	D18/50
D809,594 S *	2/2018	Tashima	D18/55
D812,684 S *	3/2018	Tashima	D18/50

FOREIGN PATENT DOCUMENTS

CN	300852853	*	11/2008
CN	302742259	*	2/2014
JP	D1452637		11/2013
JP	D1476202		11/2013
JP	D1498330		5/2017

(Continued)

OTHER PUBLICATIONS

Overstock. Link: <https://www.overstock.com/Electronics/Epson-WorkForce-Pro-WF-3720-Inkjet-Multifunction-Printer-Color/14109649/product.html>. Visited Aug. 2, 2019. Aug. 21, 2018. Epson WorkForce Pro WF-3720 Inkjet Multifunction Printer—Color. (Year: 2018).*

Primary Examiner — Lauren D McVey

(74) *Attorney, Agent, or Firm* — Winston Hsu

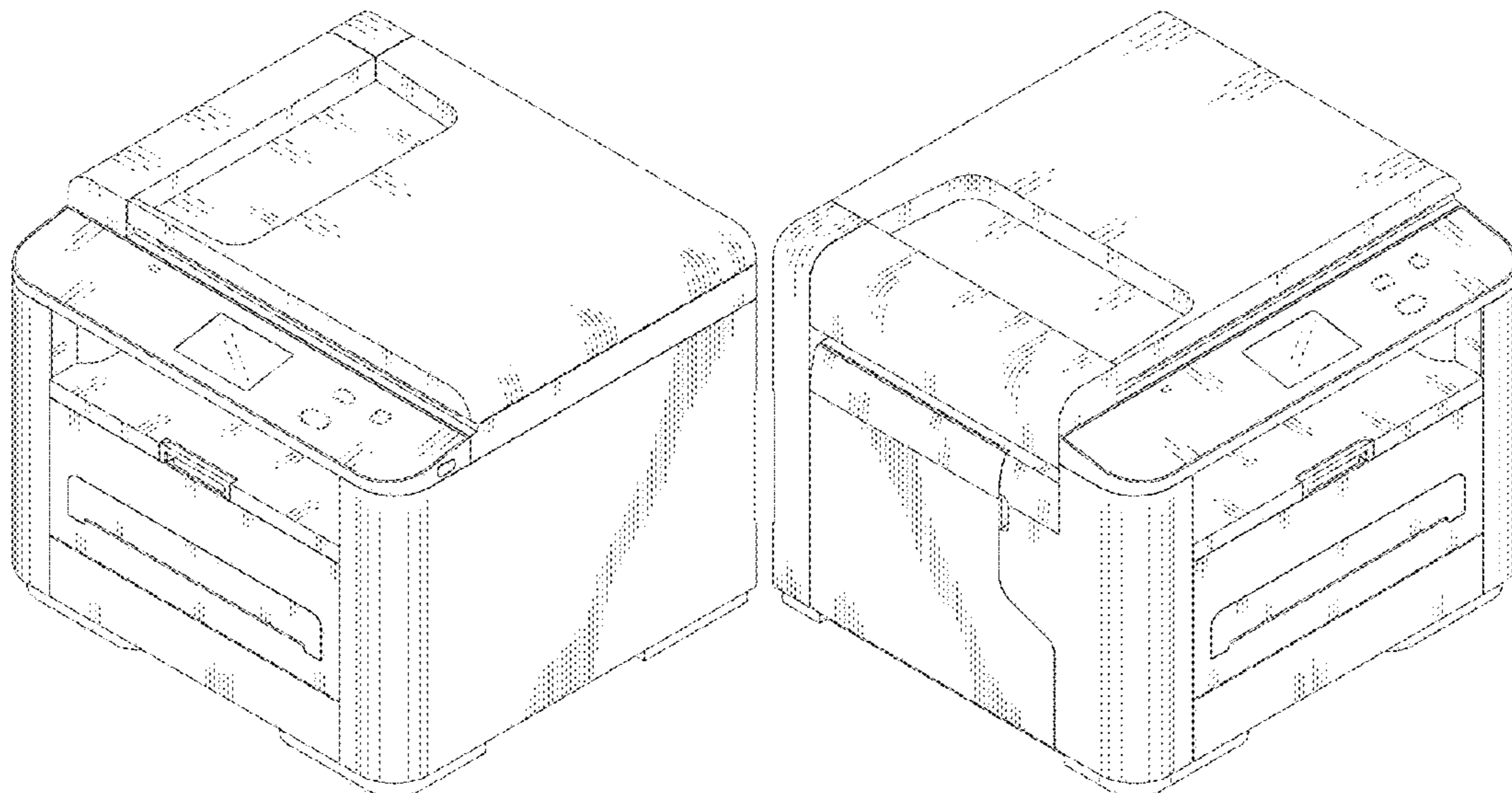
(57) **CLAIM**

The ornamental design for a multi-function printer, as shown and described.

DESCRIPTION

FIG. 1 is a top, front, and right side perspective view for a multi-function printer showing our new design; FIG. 2 is a top, front, and left side perspective view thereof; FIG. 3 is a front elevation view thereof; FIG. 4 is a rear elevation view thereof; FIG. 5 is a left side elevation view thereof; FIG. 6 is a right side elevation view thereof; FIG. 7 is a top plan view thereof; and, FIG. 8 is a bottom plan view thereof. The broken lines depict portions of the multi-function printer that form no part of the claimed design.

1 Claim, 8 Drawing Sheets



(56)

References Cited

FOREIGN PATENT DOCUMENTS

JP	D1511883	11/2017
KR	30-0903624	5/2017
WO	D089239-001	* 8/2016

* cited by examiner

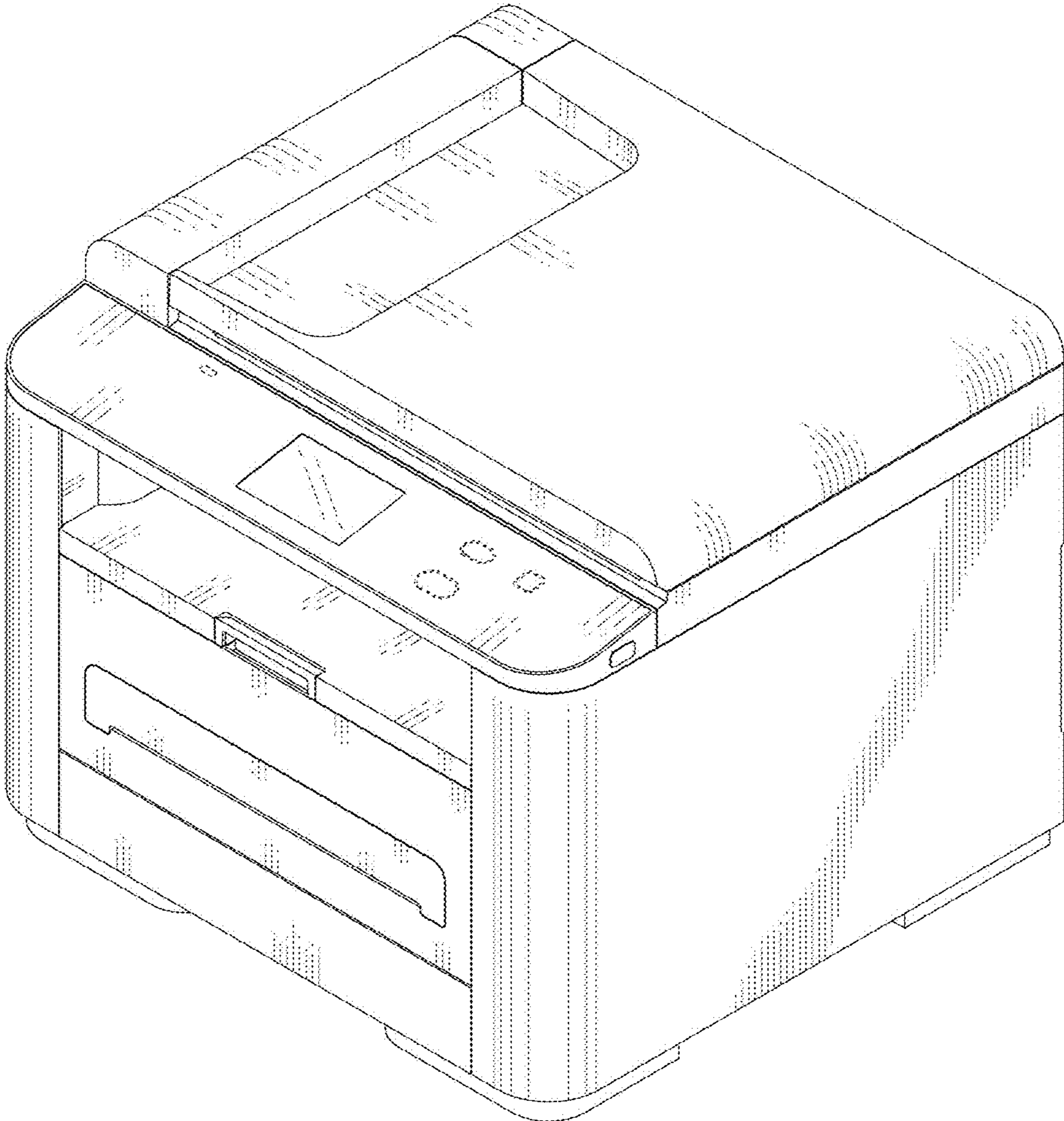


FIG. 1

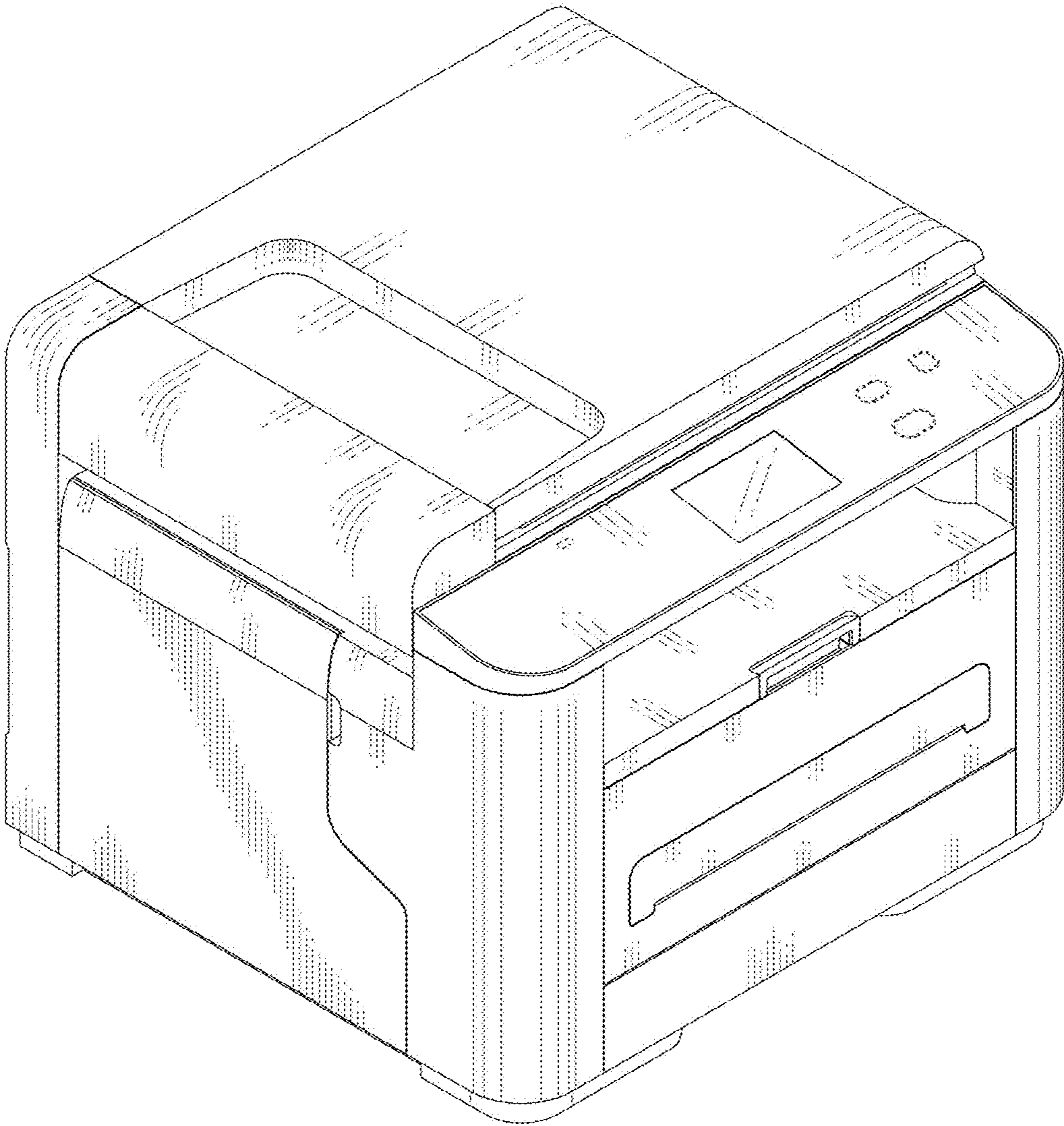


FIG. 2

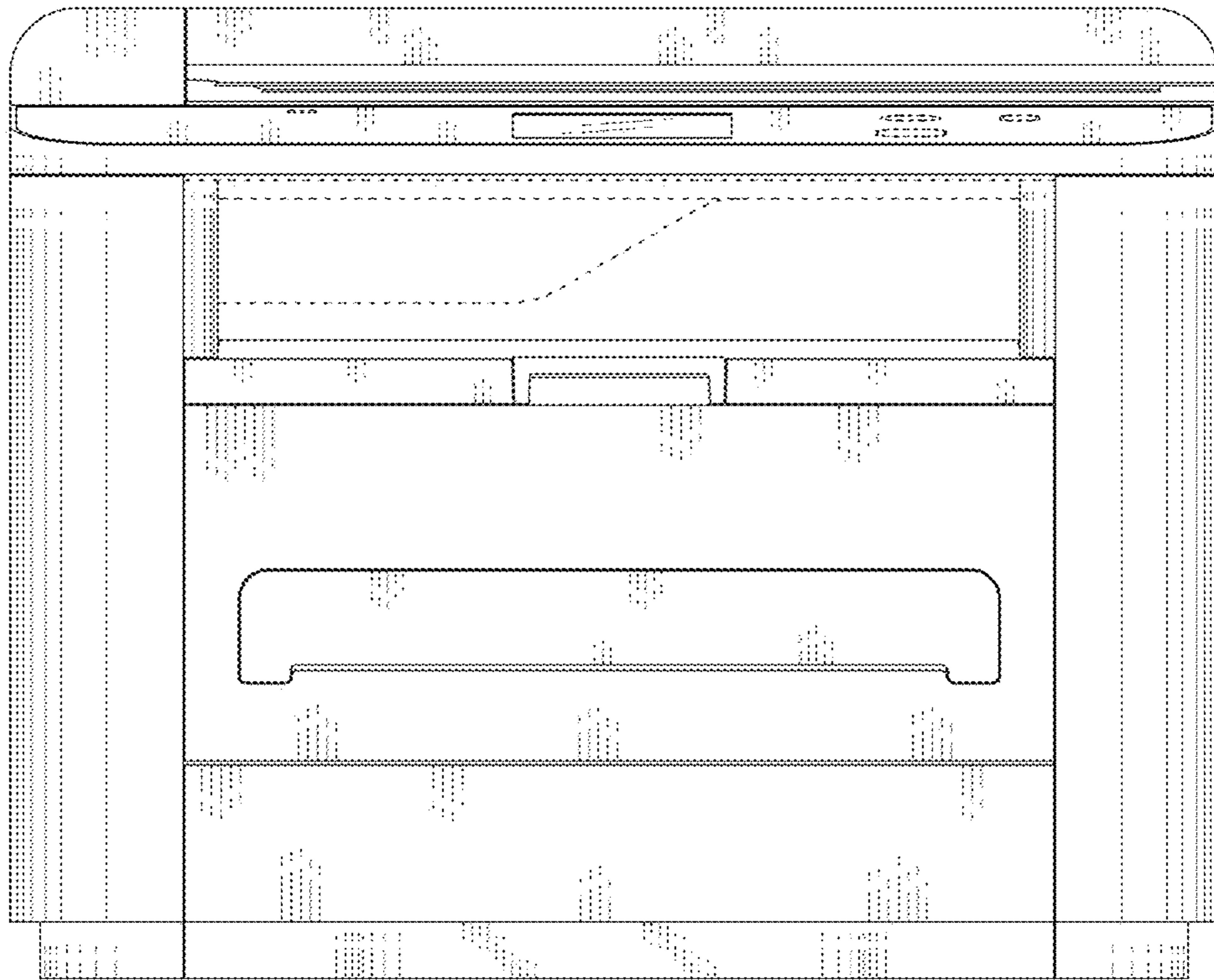


FIG. 3

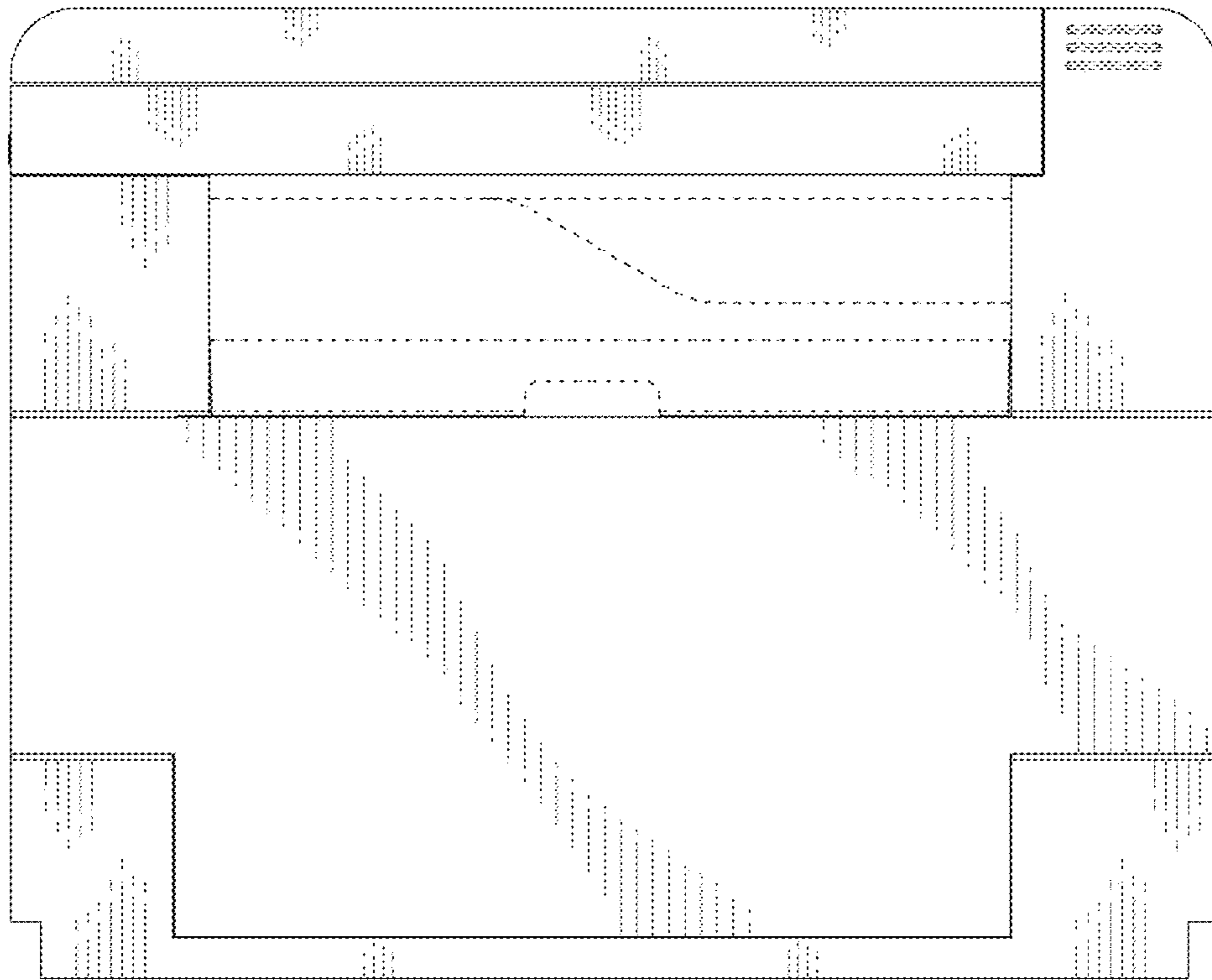


FIG. 4

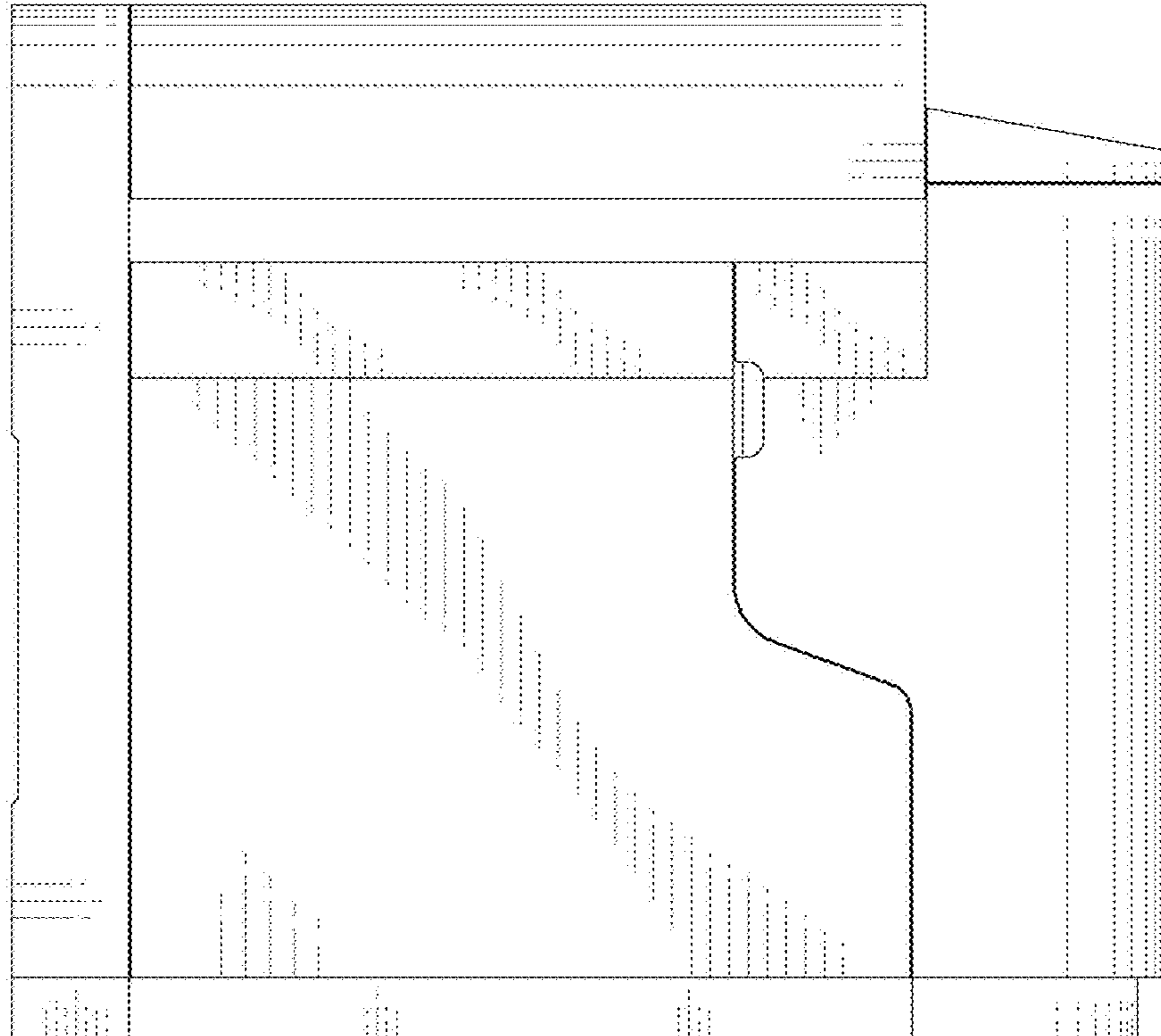


FIG. 5

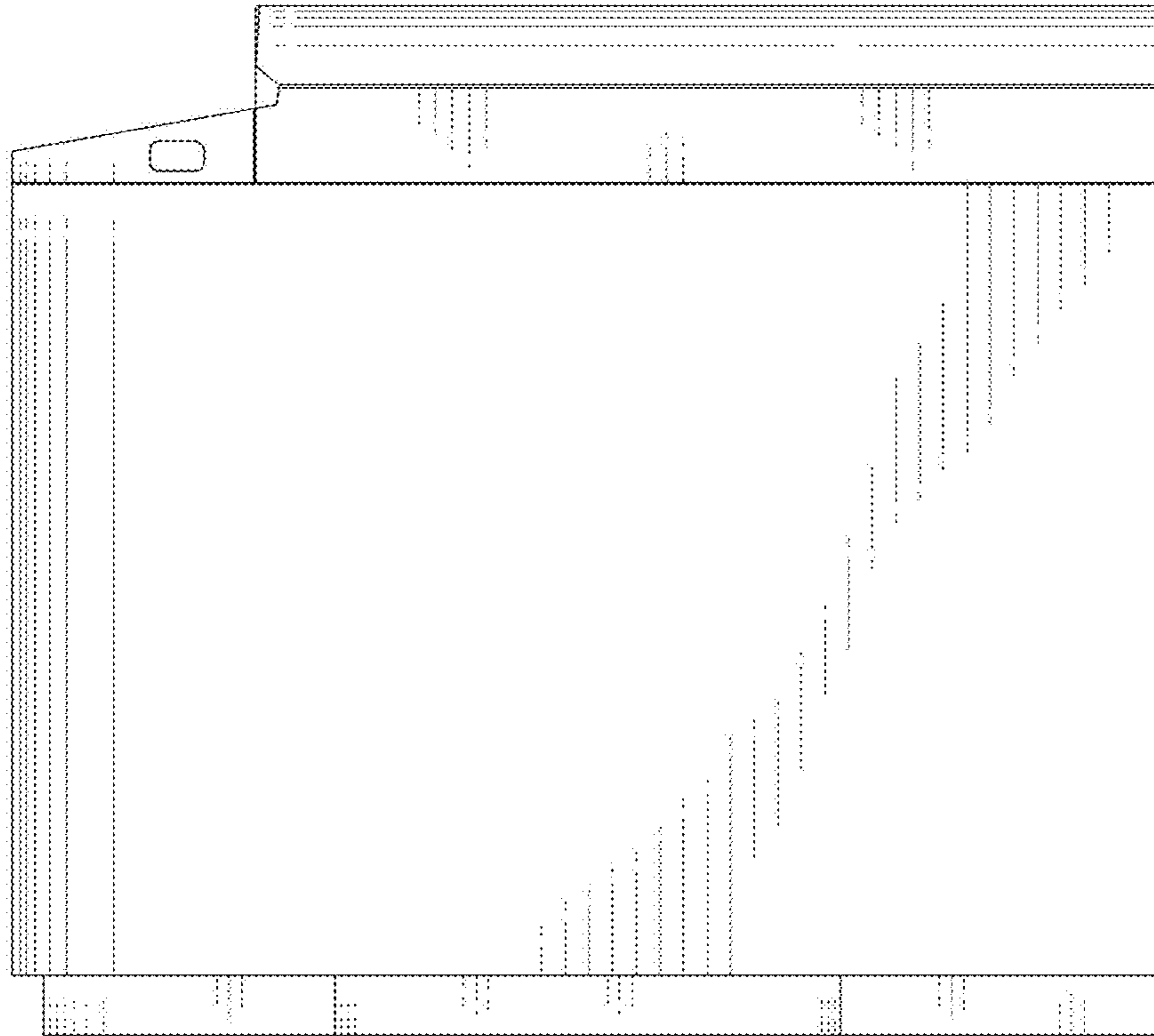


FIG. 6

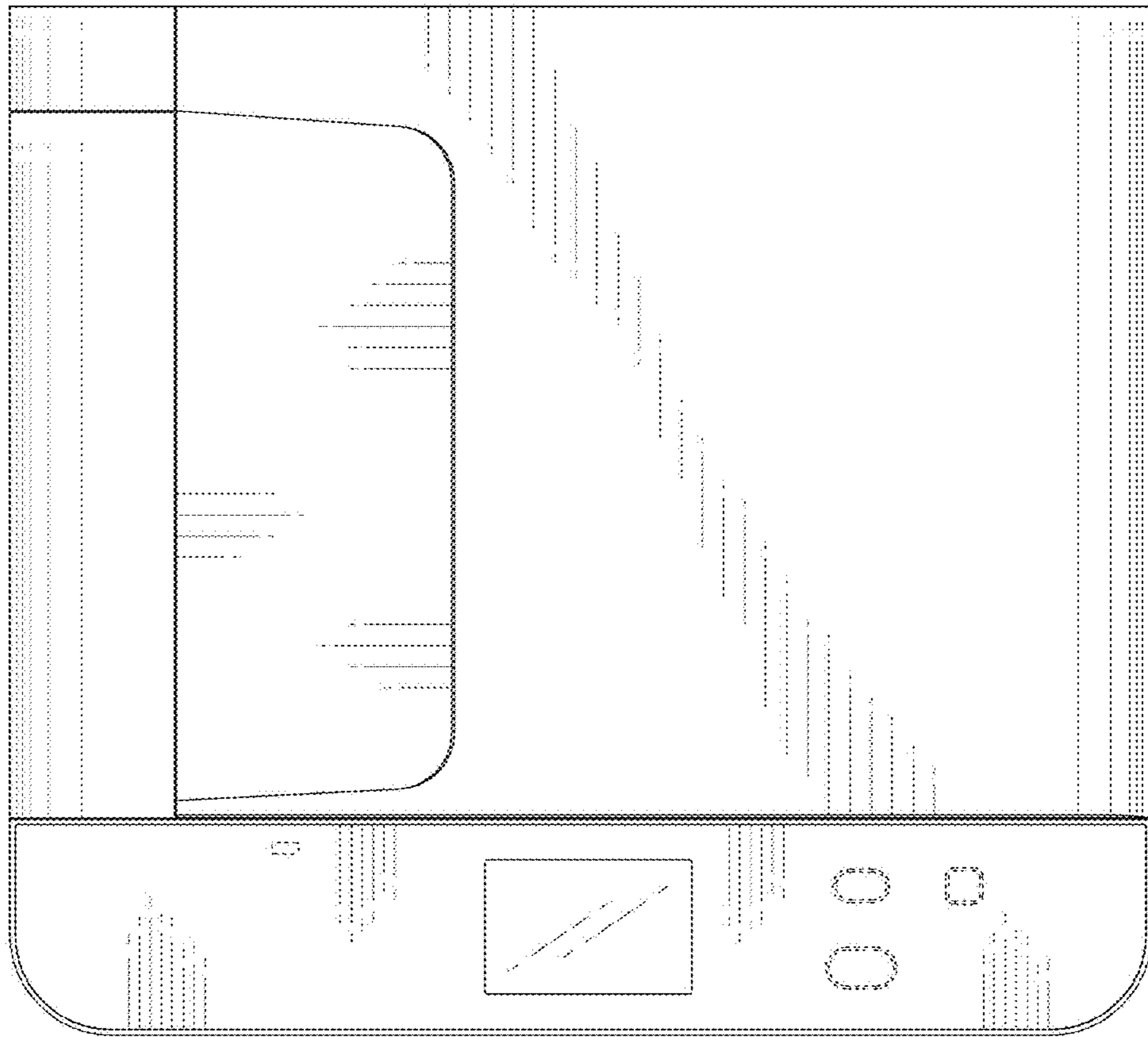


FIG. 7

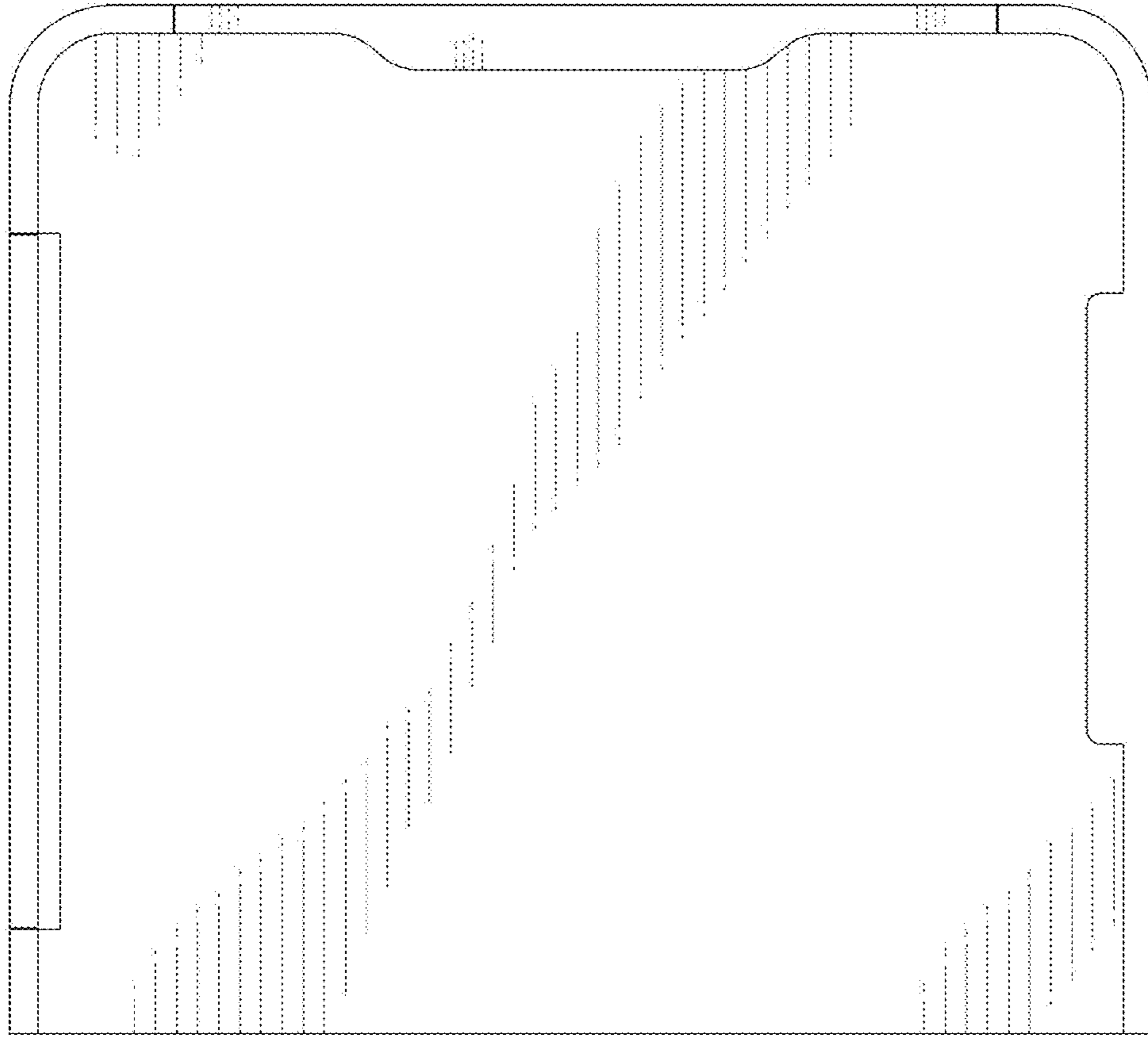


FIG. 8