

US00D893603S

(12) **United States Design Patent** (10) **Patent No.:** **US D893,603 S**  
**Pangburn et al.** (45) **Date of Patent:** **\*\* Aug. 18, 2020**

(54) **SIDE PANEL OF PAPER FEED TRAY ON PRINTER**

(71) Applicant: **Lexmark International, Inc.**,  
Lexington, KY (US)

(72) Inventors: **Thomas Eugene Pangburn**,  
Winchester, KY (US); **Steven David Sieckowski**,  
Brecksville, OH (US); **Zachary Gaylord Wiles**,  
Lexington, KY (US); **Jeffrey Allen Hendren**,  
Charlotte, NC (US)

(73) Assignee: **LEXMARK INTERNATIONAL, INC.**,  
Lexington, KY (US)

(\*\*) Term: **15 Years**

(21) Appl. No.: **29/645,634**

(22) Filed: **Apr. 27, 2018**

**Related U.S. Application Data**

(63) Continuation of application No. 29/547,820, filed on  
Dec. 8, 2015, now abandoned.

(51) **LOC (12) Cl.** ..... **18-02**

(52) **U.S. Cl.**  
USPC ..... **D18/55**

(58) **Field of Classification Search**

USPC ..... D18/55, 50, 53, 54, 56, 59, 36, 37, 38,  
D18/39, 40, 41, 45, 49; D14/121, 301,  
D14/307

CPC ..... H04N 1/00204; H04N 1/00249; H04N  
1/00278; G06K 15/12; G06K 15/14; B41J  
3/00; B41J 3/28; B41J 3/445; B41J 3/46  
See application file for complete search history.

(56) **References Cited**

**U.S. PATENT DOCUMENTS**

D680,581 S \* 4/2013 Nakata ..... D18/50  
D695,339 S \* 12/2013 Fukasawa ..... D18/53

D701,563 S \* 3/2014 Kim ..... D18/39  
D812,683 S \* 3/2018 Inada ..... D18/50  
D821,490 S \* 6/2018 Mita ..... D18/55  
D822,103 S \* 7/2018 Mita ..... D18/55  
D826,321 S \* 8/2018 Kim ..... D18/53  
D827,021 S \* 8/2018 Asano ..... D18/50  
D830,451 S \* 10/2018 Makino ..... D18/53  
D848,525 S \* 5/2019 Asano ..... D18/50  
2016/0309046 A1\* 10/2016 Xie ..... H04N 1/0032

(Continued)

**OTHER PUBLICATIONS**

Amazon. Link: [https://www.amazon.com/dp/B07FDJQ4JR/ref=psdc\\_172648\\_t5\\_B07FDFRXSJ](https://www.amazon.com/dp/B07FDJQ4JR/ref=psdc_172648_t5_B07FDFRXSJ). Jun. 19, 2018. Lexmark MC2425adw Multifunction Color Printer with Duplex Printing and Wireless Capabilities (42CC430). (Year: 2018).\*

*Primary Examiner* — Lauren D McVey

(74) *Attorney, Agent, or Firm* — Wendell W. Harris

(57) **CLAIM**

The ornamental design for a side panel of paper feed tray on printer, as shown and described.

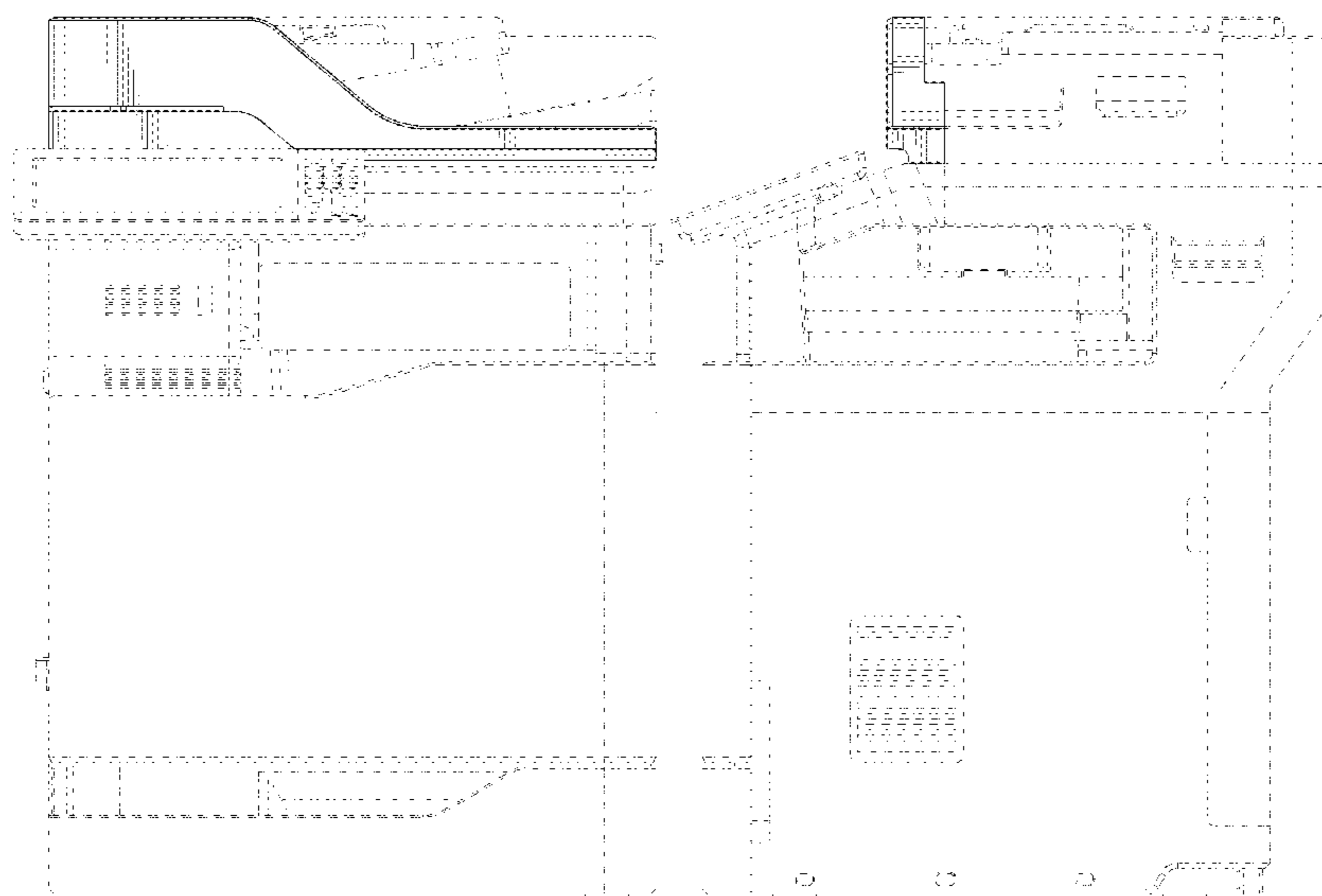
**DESCRIPTION**

FIG. 1 is a top, front and right side perspective view of a side panel of paper feed tray on printer showing our new design; FIG. 2 is a top, rear and left side perspective thereof; FIG. 3 is a front elevation thereof; FIG. 4 is a right side view elevation thereof; FIG. 5 is a rear elevation view thereof; FIG. 6 is a left elevation view thereof; and, FIG. 7 is a top plan view thereof.

The bottom side of the article forms no part of the claimed design.

The broken lines are directed to environment and form no part of the claimed design.

**1 Claim, 7 Drawing Sheets**



(56)

**References Cited**

U.S. PATENT DOCUMENTS

2017/0217222 A1\* 8/2017 Sugiyama ..... B65H 31/02  
2017/0217699 A1\* 8/2017 Washino ..... B41J 11/58

\* cited by examiner

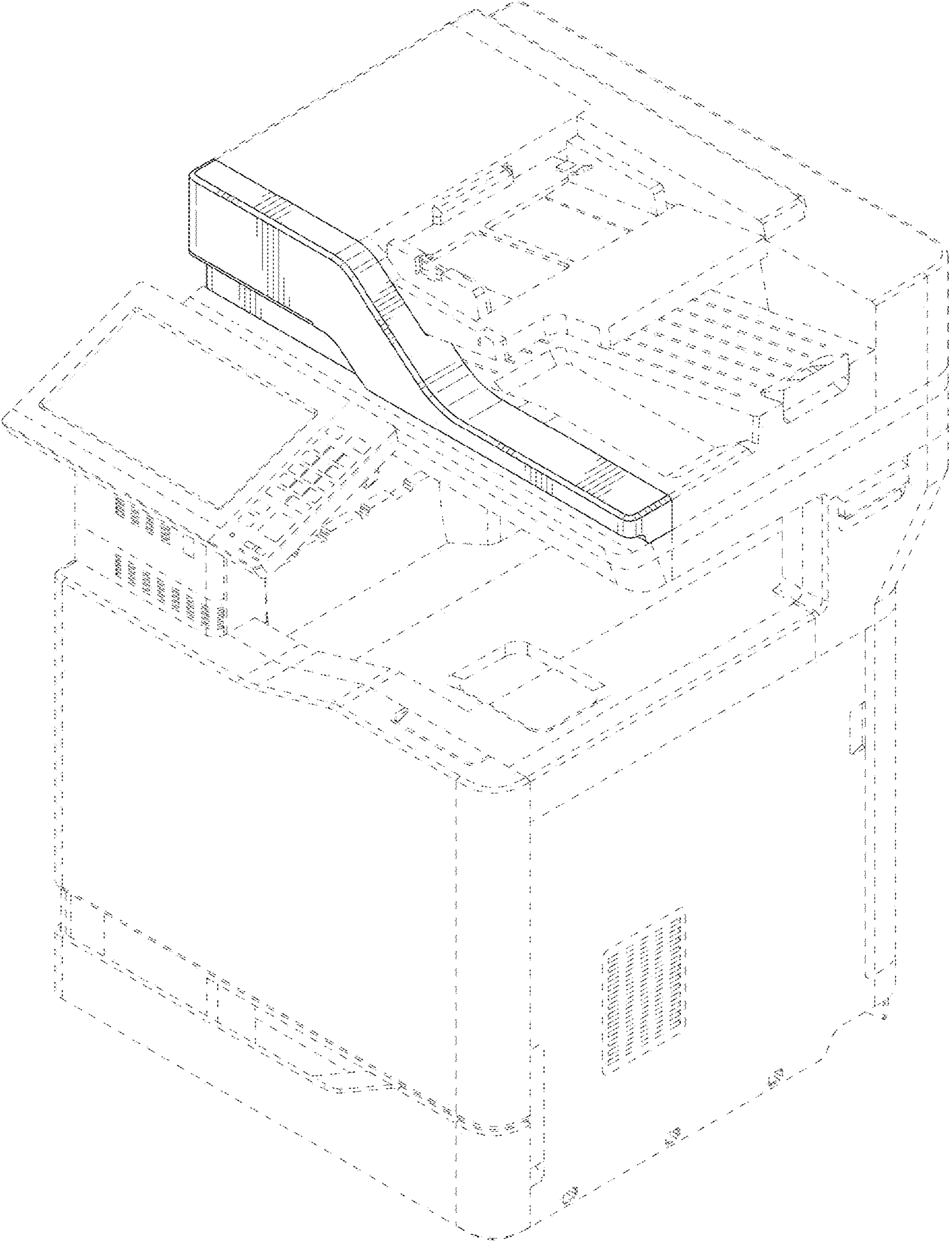


FIG. 1

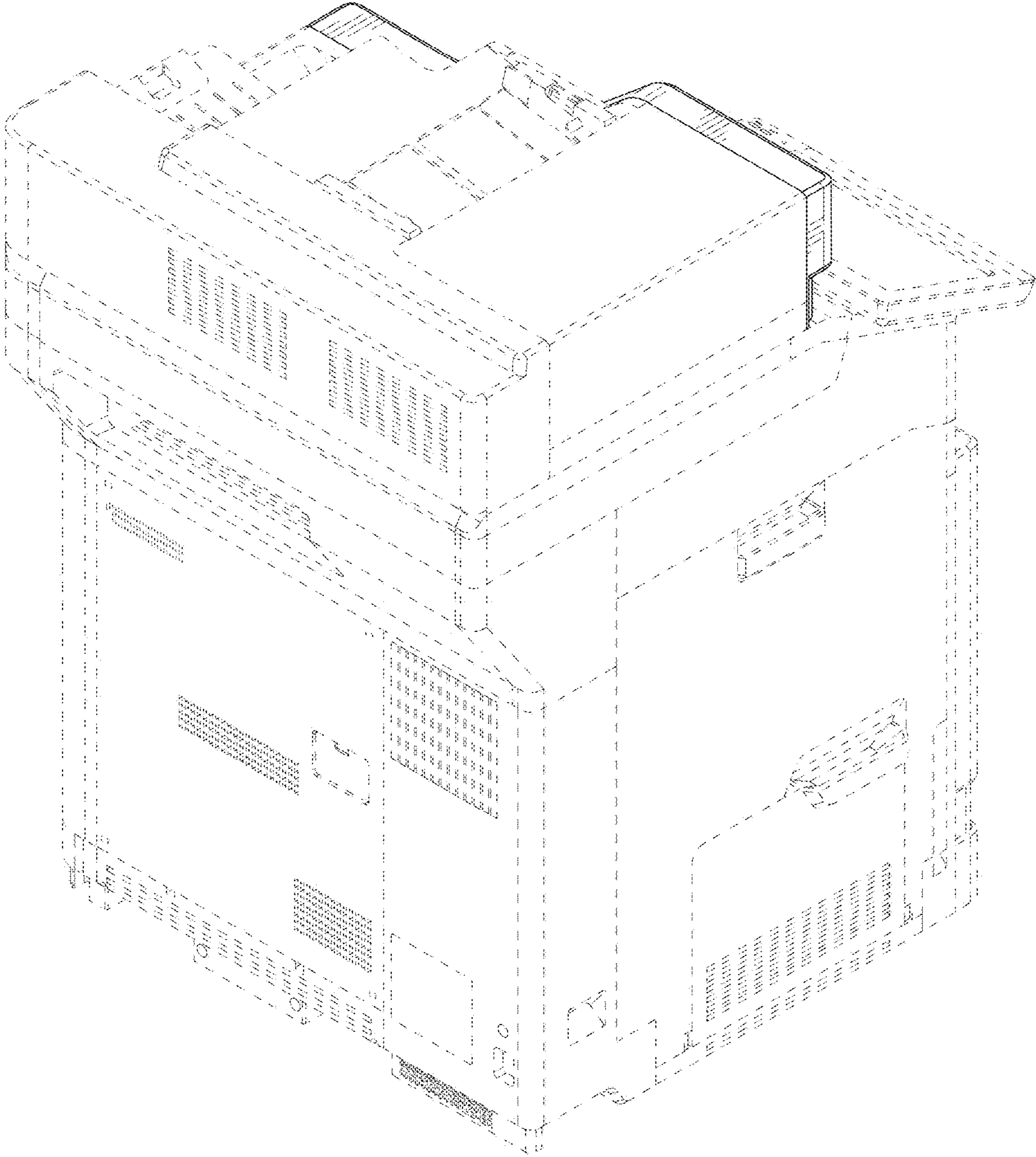


FIG. 2

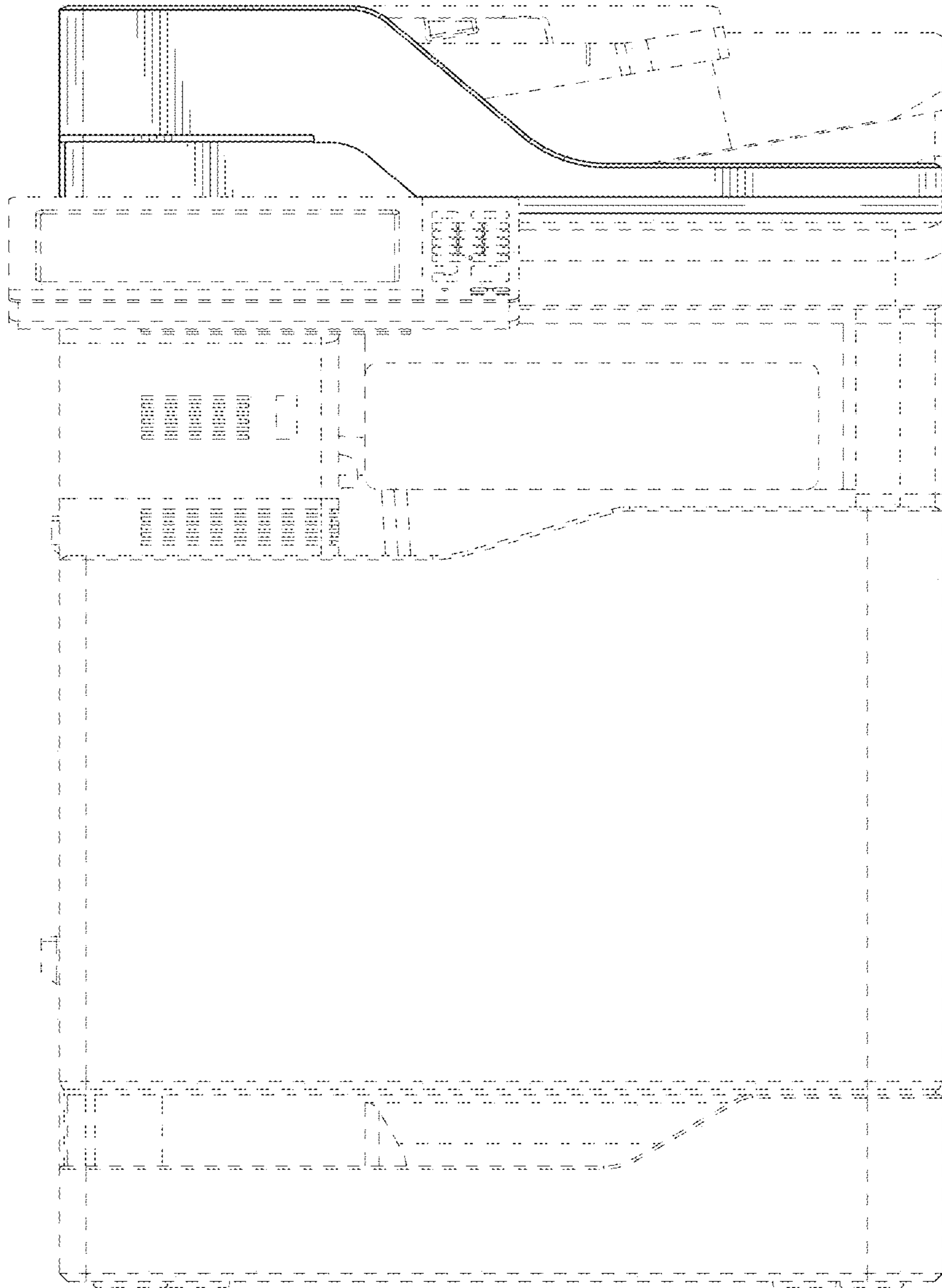


FIG. 3

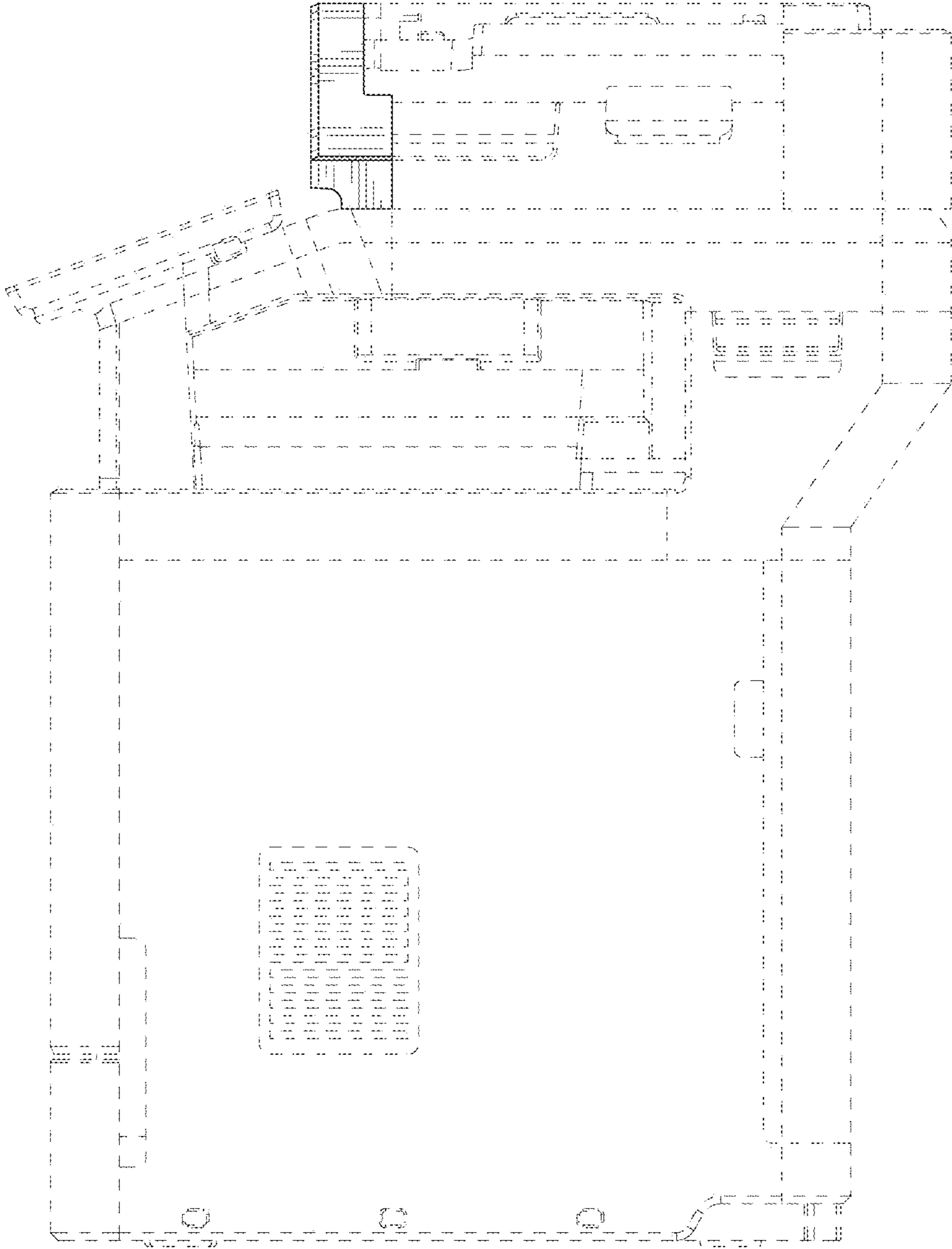


FIG. 4

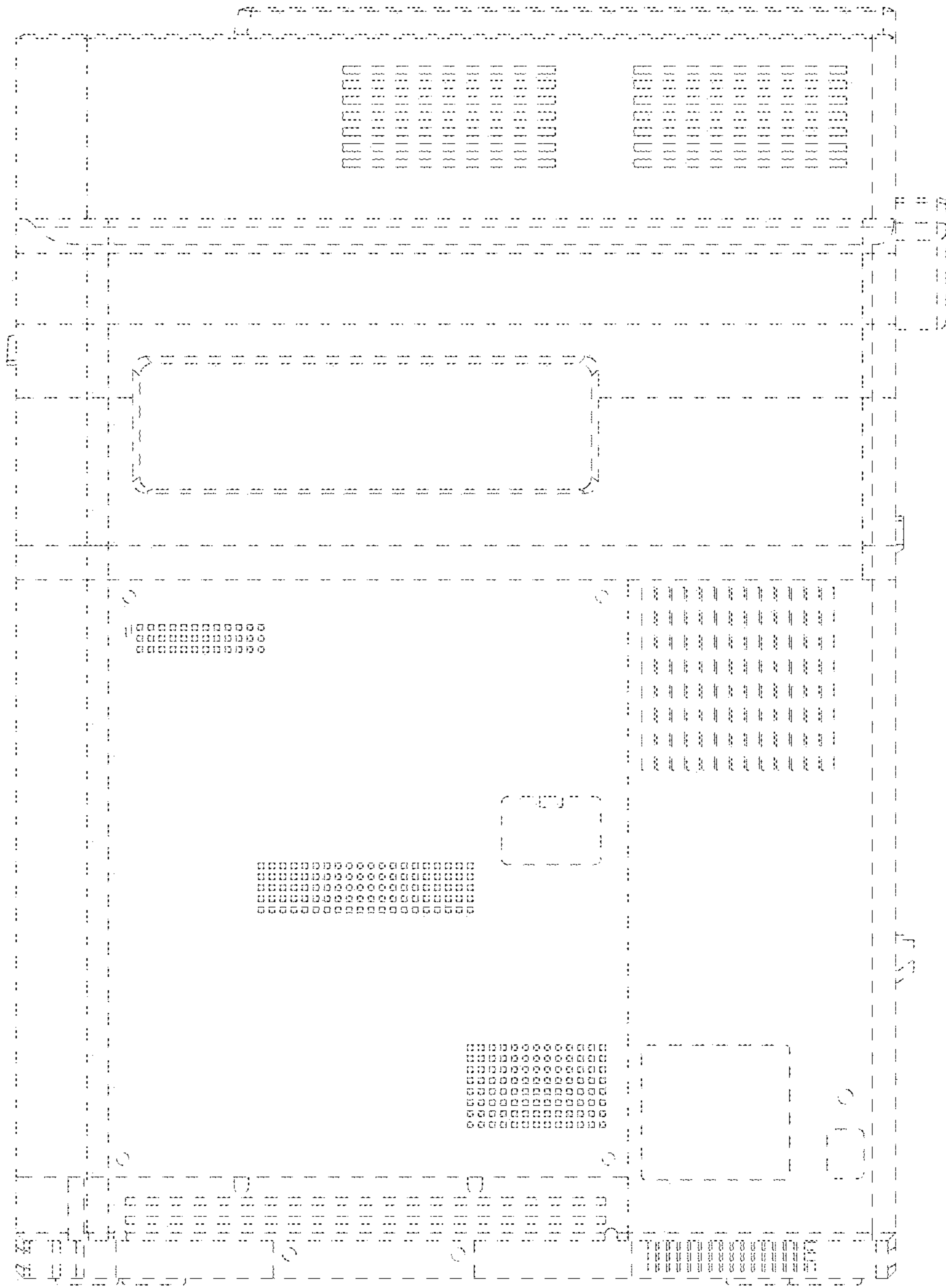


FIG. 5

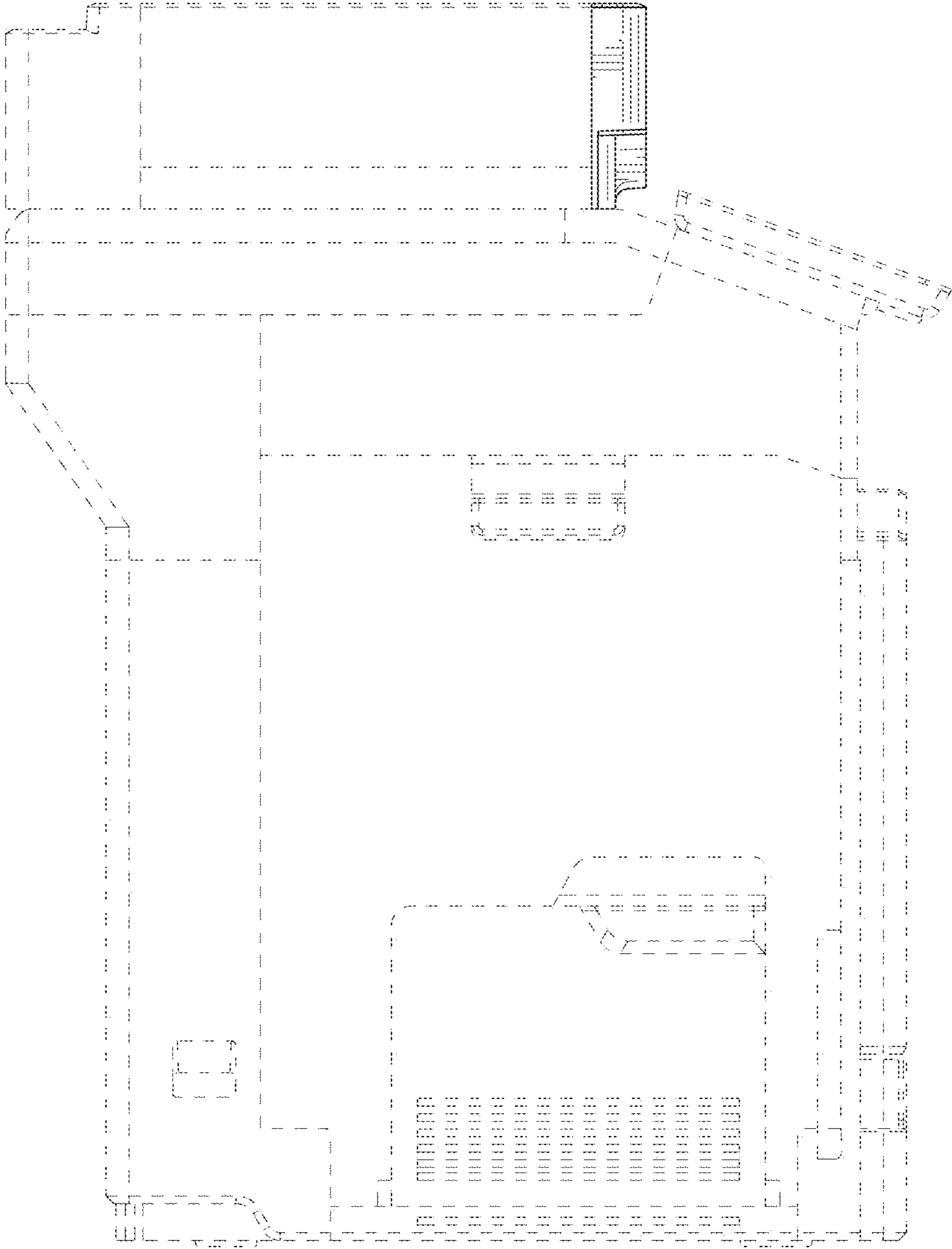


FIG. 6



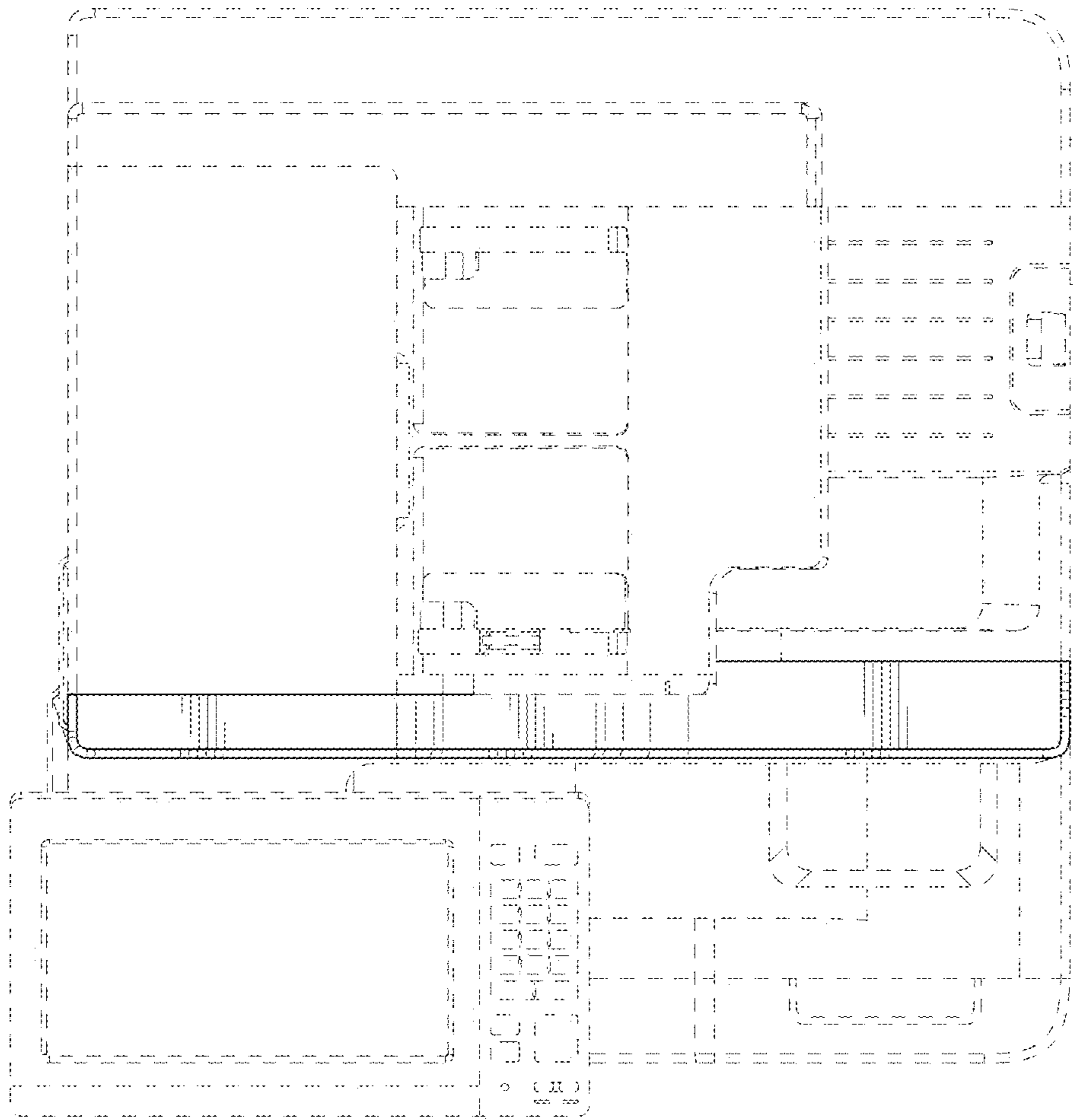


FIG. 7