



US00D893601S

(12) **United States Design Patent**
Benic

(10) **Patent No.:** **US D893,601 S**

(45) **Date of Patent:** **** Aug. 18, 2020**

(54) **PHOTO STAND FOR PRINTING PHOTOS**

(71) Applicant: **Ink Labs, Inc.**, Lincoln, NE (US)

(72) Inventor: **Denis Benic**, Lincoln, NE (US)

(73) Assignee: **Ink Labs, Inc.**, Lincoln, NE (US)

(**) Term: **15 Years**

(21) Appl. No.: **29/623,999**

(22) Filed: **Oct. 29, 2017**

(51) **LOC (12) Cl.** **18-02**

(52) **U.S. Cl.**

USPC **D18/53**

(58) **Field of Classification Search**

USPC D18/59, 55, 50, 53, 54, 56, 36, 37, 38,
D18/39, 40, 41, 45, 49; D14/121, 301,
D14/307

CPC H04N 1/00204; H04N 1/00249; H04N
1/00278; G06K 15/12; G06K 15/14; B41J
3/00; B41J 3/28; B41J 3/445; B41J 3/46

See application file for complete search history.

(56) **References Cited**

U.S. PATENT DOCUMENTS

D415,330 S	*	10/1999	King	D14/900
D480,731 S	*	10/2003	Becker	D14/302
D541,267 S	*	4/2007	Sagen	D14/307
D609,493 S	*	2/2010	Dreyer	D6/407
D671,595 S	*	11/2012	O'Hara	D14/307
D724,658 S	*	3/2015	Sakai	D18/53
D751,061 S	*	3/2016	Berini	D14/307
D767,559 S	*	9/2016	Pfeiffer	D14/307

D770,830 S	*	11/2016	Eliav	D18/50
D783,016 S	*	4/2017	Matloff	D14/307
D785,683 S	*	5/2017	Grobe	D15/122
D795,858 S	*	8/2017	Iulita	D14/307
D848,414 S	*	5/2019	Gardens	D14/307

OTHER PUBLICATIONS

Ink Labs, Inc. Link: <https://ink.me/>. Visited Aug. 1, 2019. Ink Labs homepage. (Year: 2019).*

Instagram. Link: https://www.instagram.com/ink_empathetic_tech/. Visited Aug. 1, 2019. ink_empathetic_tech page. (Year: 2019).*

* cited by examiner

Primary Examiner — Lauren D McVey

(74) *Attorney, Agent, or Firm* — Rimon PC

(57) **CLAIM**

The ornamental design for a photo stand for printing photos, as shown.

DESCRIPTION

FIG. 1 is a perspective view of a photo stand for printing photos showing the claimed design;

FIG. 2 is a front view thereof;

FIG. 3 is a back view thereof;

FIG. 4 is a side view thereof;

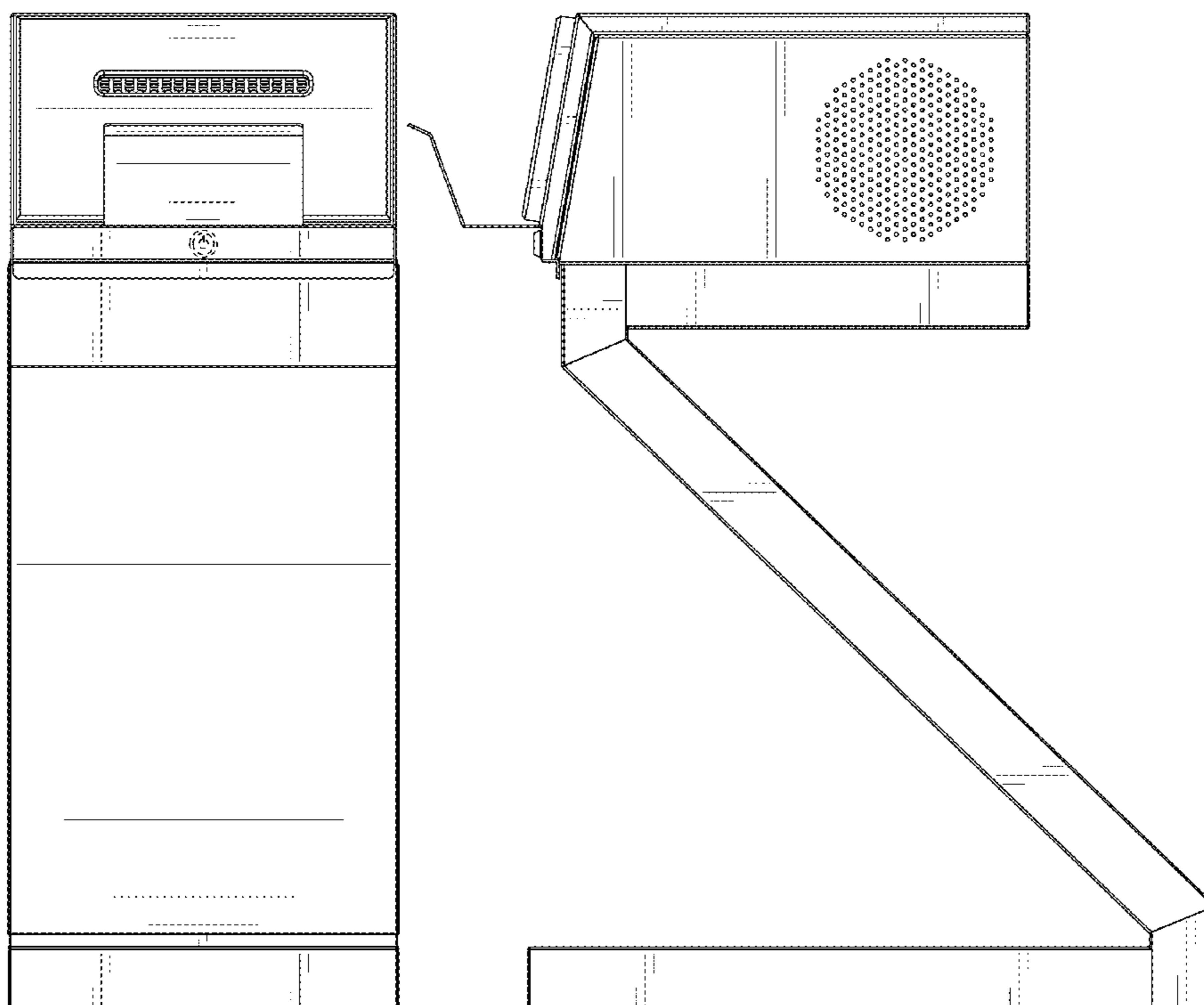
FIG. 5 is another side view thereof;

FIG. 6 is a top view thereof; and,

FIG. 7 is a bottom view thereof.

The broken lines showing parts inside the bottom tray in the bottom view (FIG. 7) form no part of the claimed design.

1 Claim, 7 Drawing Sheets



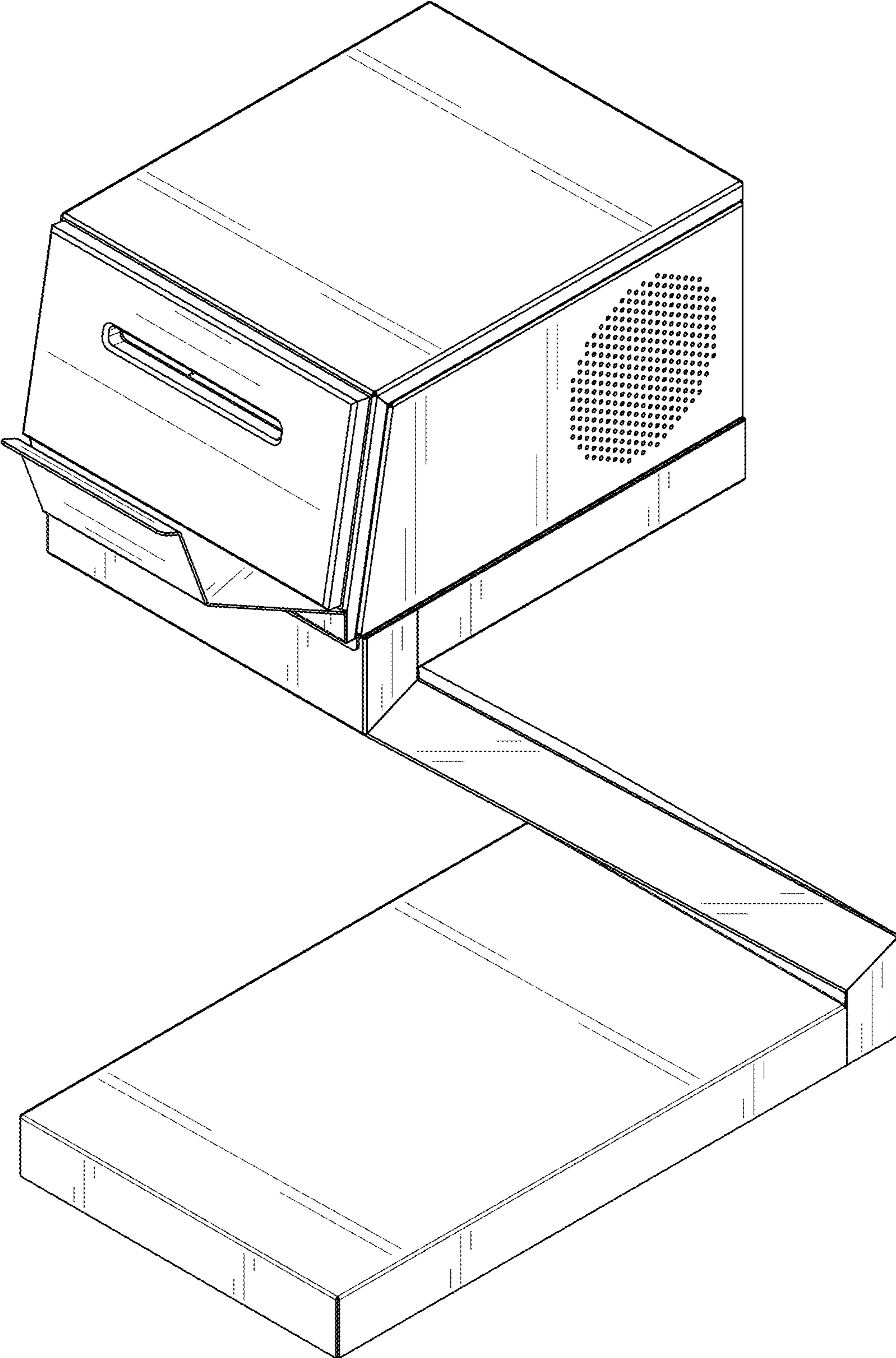


FIG. 1

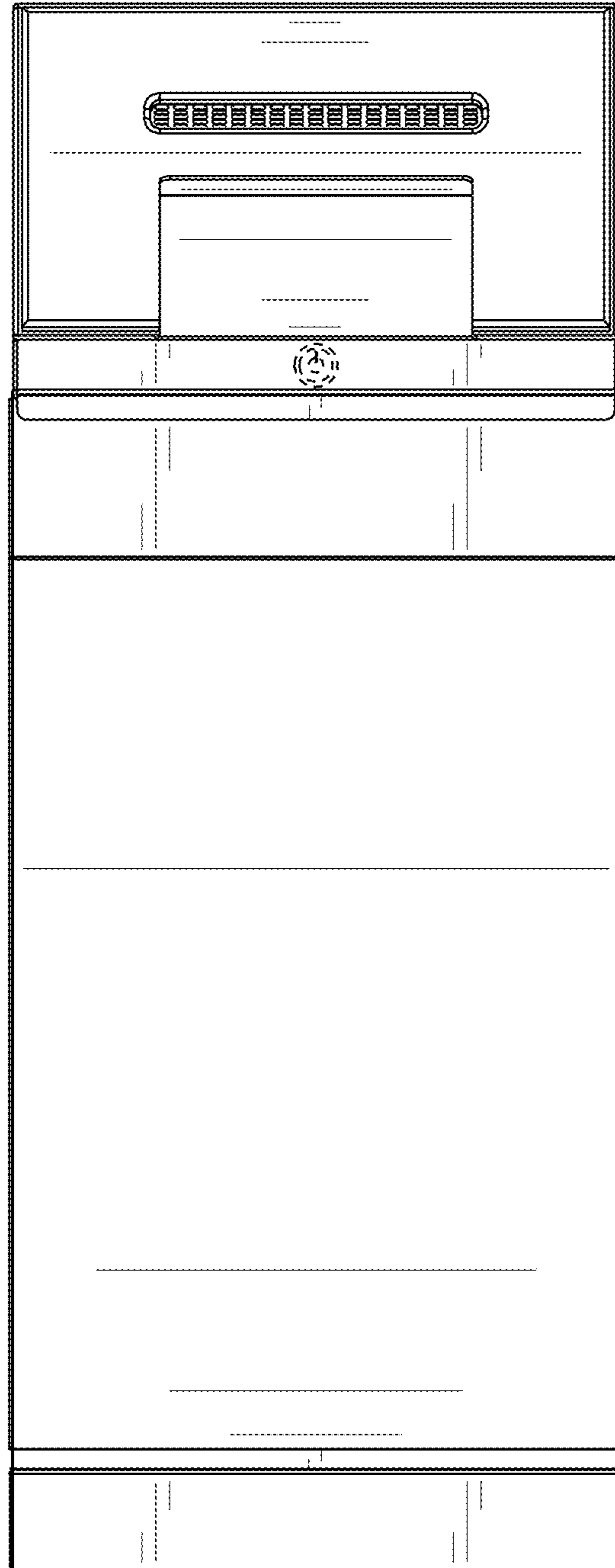


FIG. 2

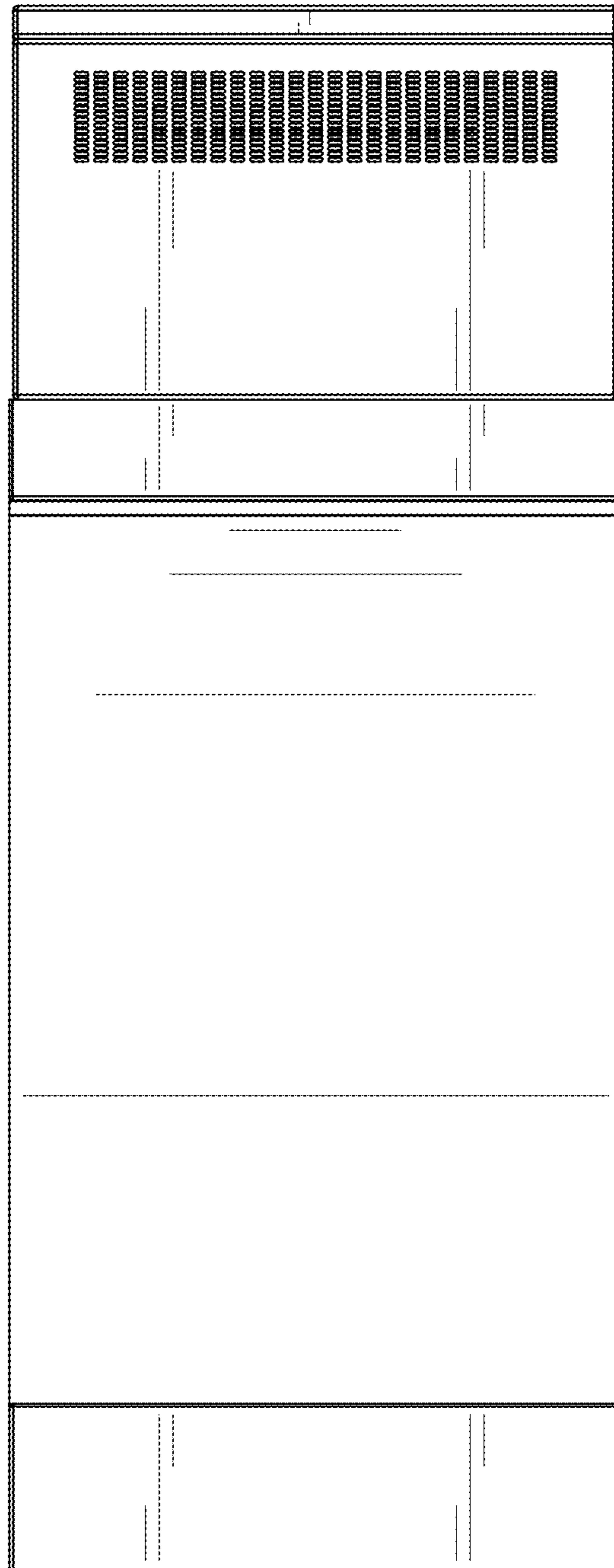


FIG. 3

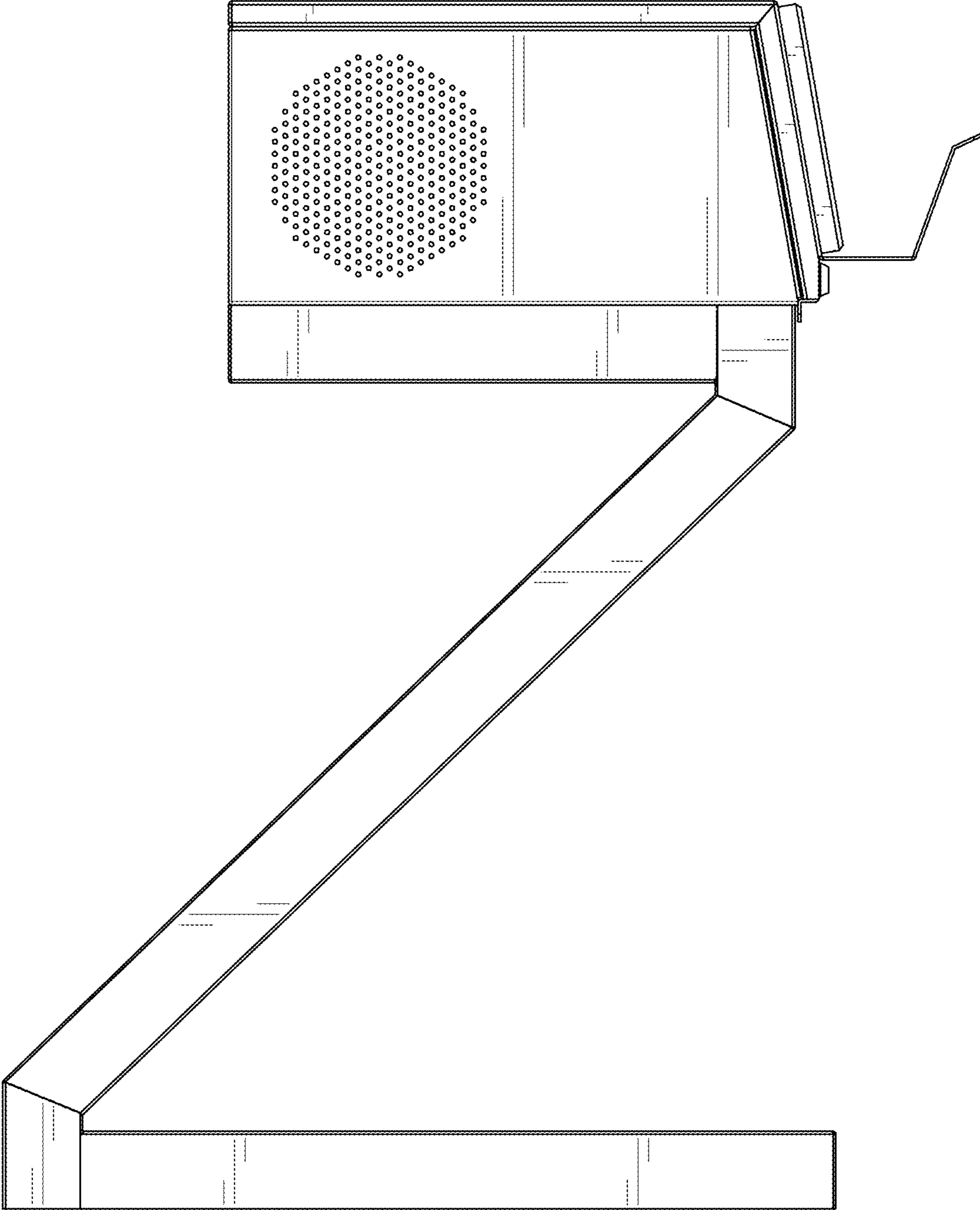


FIG. 4

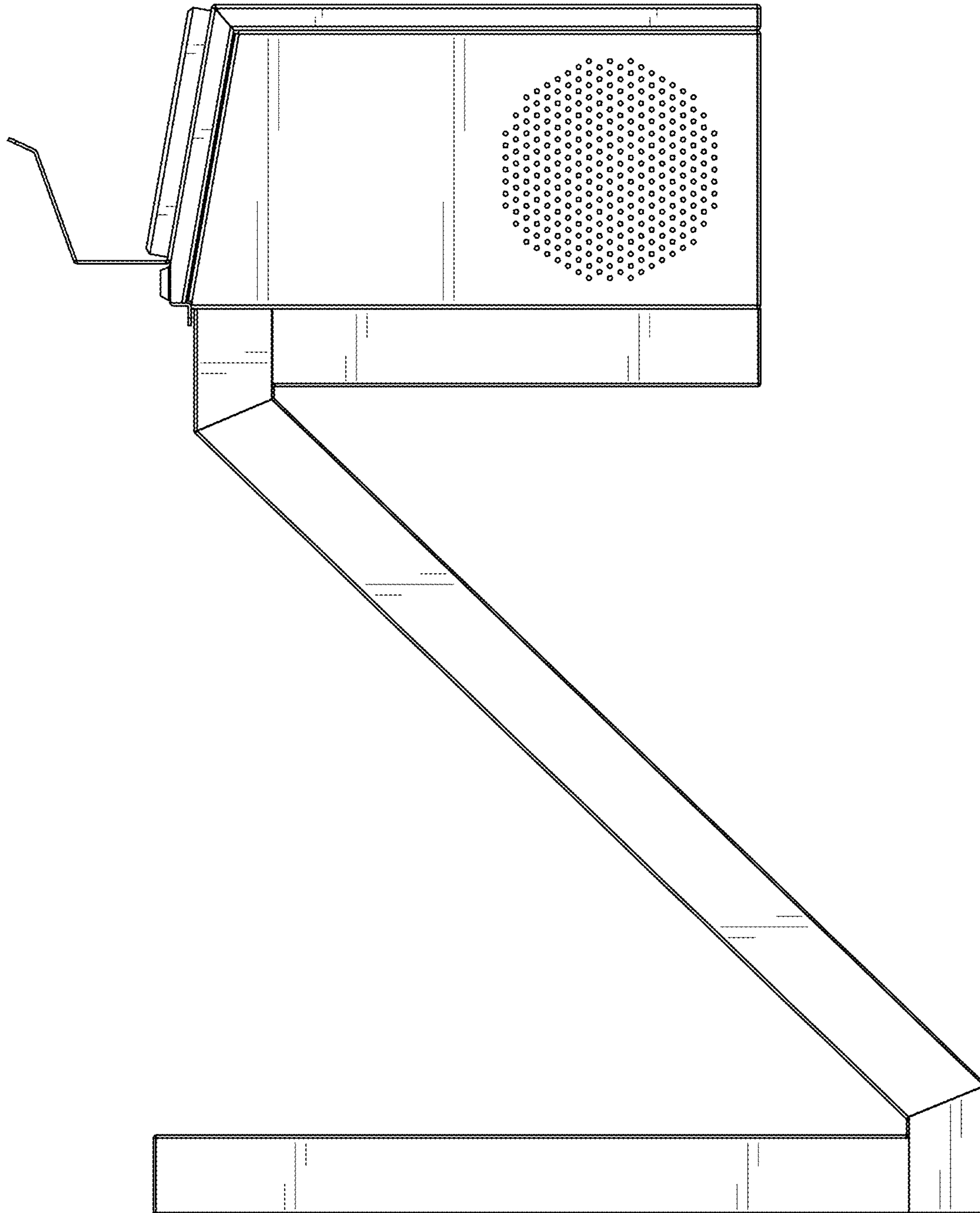


FIG. 5

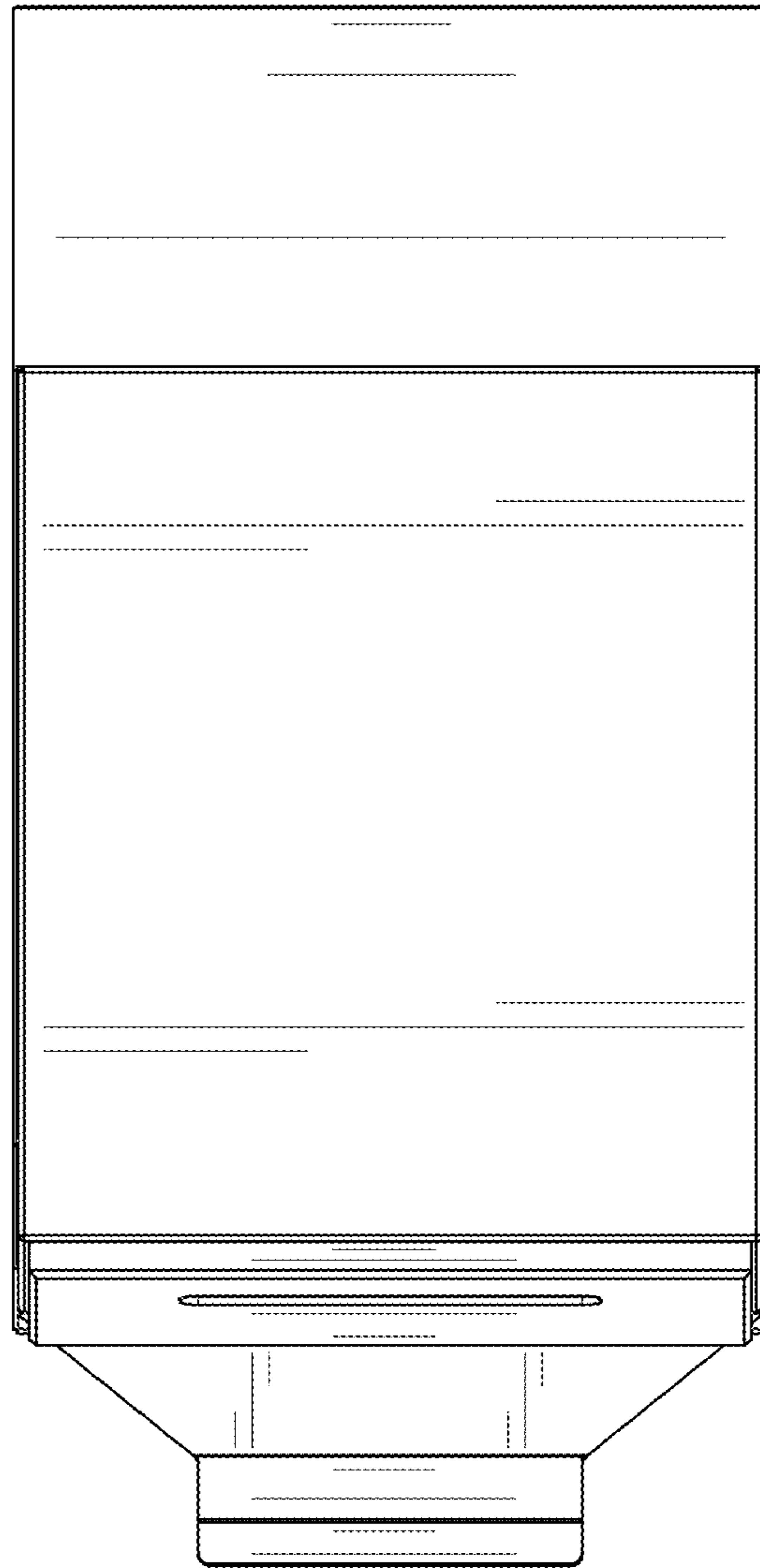


FIG. 6

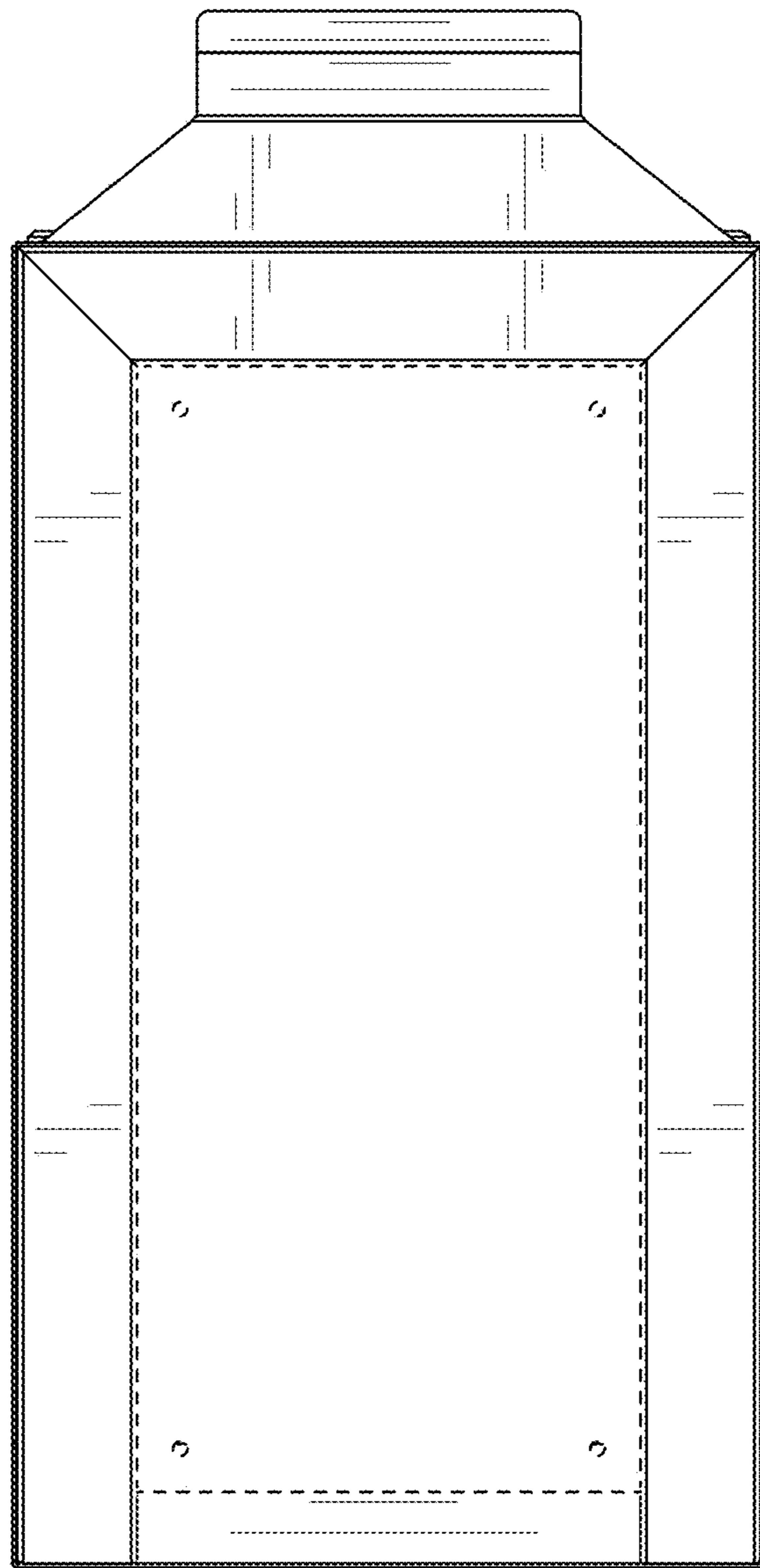


FIG. 7