

US00D893600S

(12) **United States Design Patent** (10) **Patent No.:** **US D893,600 S**
Dwyer et al. (45) **Date of Patent:** **** Aug. 18, 2020**

(54) **PRINTER**
(71) Applicant: **Hewlett-Packard Development Company, L.P.**, Houston, TX (US)
(72) Inventors: **Dan R. Dwyer**, Vancouver, WA (US); **Christopher Mark Rives**, Vancouver, WA (US); **Nathan Shirley**, Vancouver, WA (US); **Christine Dewitt**, Vancouver, WA (US); **Kelli Reuther**, Vancouver, WA (US); **Leah Davidson**, Vancouver, WA (US); **Donald X. Smith**, Corvallis, OR (US); **Andrew Wagner**, Houston, TX (US)

D665,015 S * 8/2012 Matsuno D18/50
D665,016 S * 8/2012 Matsuno D18/50
D667,050 S * 9/2012 Takeuchi D18/50
D783,088 S * 4/2017 Francke D18/56
D816,156 S * 4/2018 Tanaka D18/56
D817,388 S * 5/2018 Wan D18/50

(Continued)

FOREIGN PATENT DOCUMENTS

CN 302789581 * 2/2014
CN 302803435 * 4/2014

(Continued)

OTHER PUBLICATIONS

YouTube. Link: <https://www.youtube.com/watch?v=xHdaACtpZow>.
Published on Nov. 5, 2017. IT Gallery HP Deskjet 2132 All-in-One Printer/Copier/Scanner printer review. (Year: 2017).*

Primary Examiner — Lauren D McVey
(74) *Attorney, Agent, or Firm* — HP Inc. Patent Department

(73) Assignee: **Hewlett-Packard Development Company, L.P.**, Spring, TX (US)

(**) Term: **15 Years**

(21) Appl. No.: **29/664,215**

(22) Filed: **Sep. 24, 2018**

(51) **LOC (12) Cl.** **14-02**

(52) **U.S. Cl.**
USPC **D18/50**

(58) **Field of Classification Search**
USPC D18/59, 55, 50, 53, 54, 56, 36, 37, 38, D18/39, 40, 41, 45, 49; D14/121, 301, D14/307
CPC H04N 1/00204; H04N 1/00249; H04N 1/00278; G06K 15/12; G06K 15/14; B41J 3/00; B41J 3/28; B41J 3/445; B41J 3/46
See application file for complete search history.

(57) **CLAIM**

The ornamental design for a printer, as shown and described.

DESCRIPTION

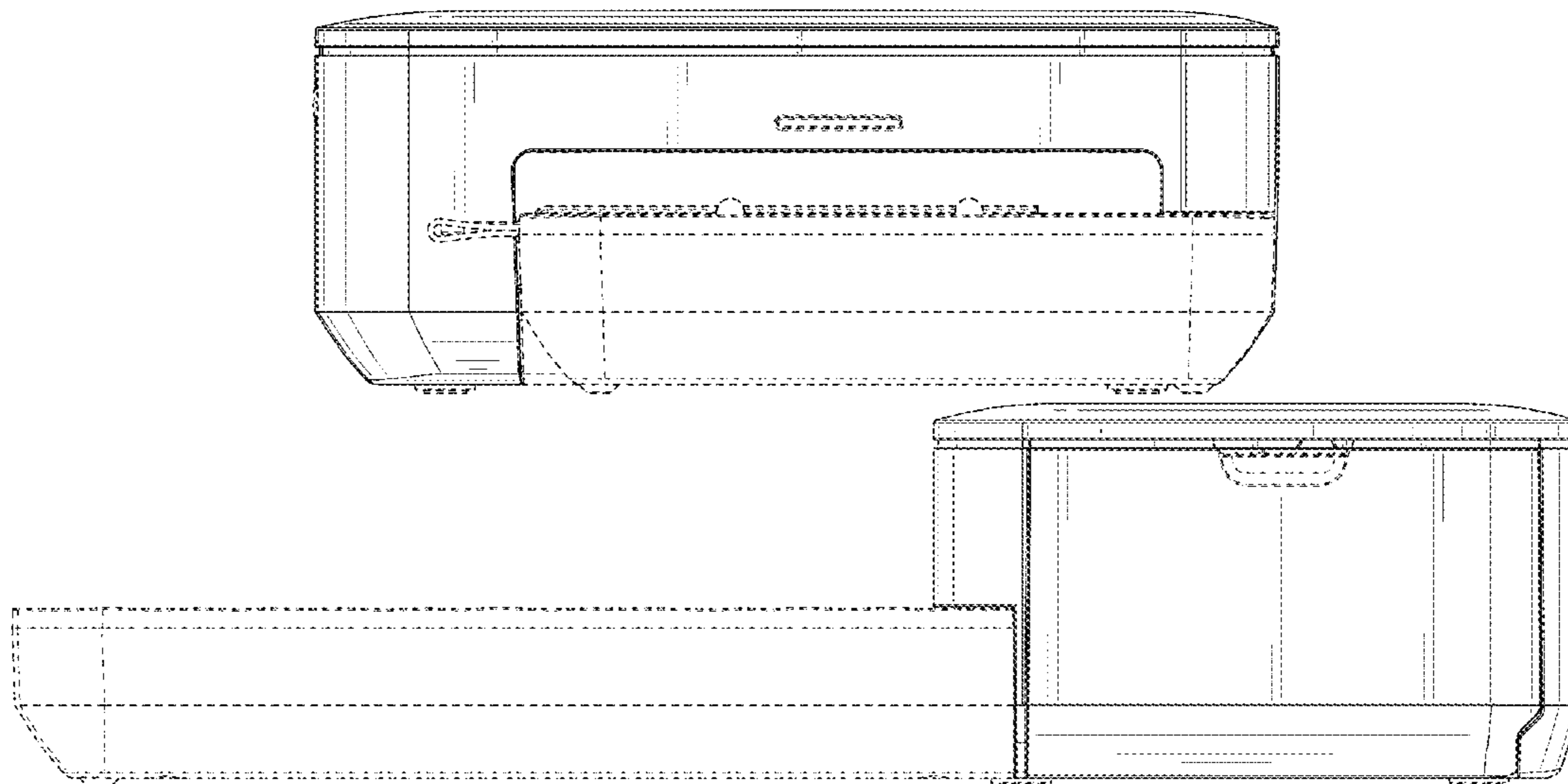
FIG. 1 is a top, front, right-side perspective view of a printer in accordance with our new design;
FIG. 2 is a front elevational view thereof;
FIG. 3 is a rear elevational view thereof;
FIG. 4 is a right-side elevational view thereof;
FIG. 5 is a left-side elevational view thereof;
FIG. 6 is a top plan view thereof; and,
FIG. 7 is a bottom plan view thereof.
The broken lines immediately adjacent the shaded areas represent the bounds of the claimed design while all other broken lines are directed to environment and are for illustrative purposes only; the broken lines form no part of the claimed design.

(56) **References Cited**

U.S. PATENT DOCUMENTS

D480,418 S * 10/2003 Evers D18/55
D648,377 S * 11/2011 Miyauchi D18/50
D648,379 S * 11/2011 Ishikawa D18/50
D665,014 S * 8/2012 Matsuno D18/50

1 Claim, 7 Drawing Sheets



(56)

References Cited

U.S. PATENT DOCUMENTS

D827,022 S * 8/2018 Yamashita D18/50
D850,528 S * 6/2019 Gosselin D18/34.3
2013/0187997 A1* 7/2013 Xiao B41J 2/17546
347/86

FOREIGN PATENT DOCUMENTS

EP 3196033 A1 * 7/2017 B41J 29/02
RU 00078448 * 5/2011

* cited by examiner

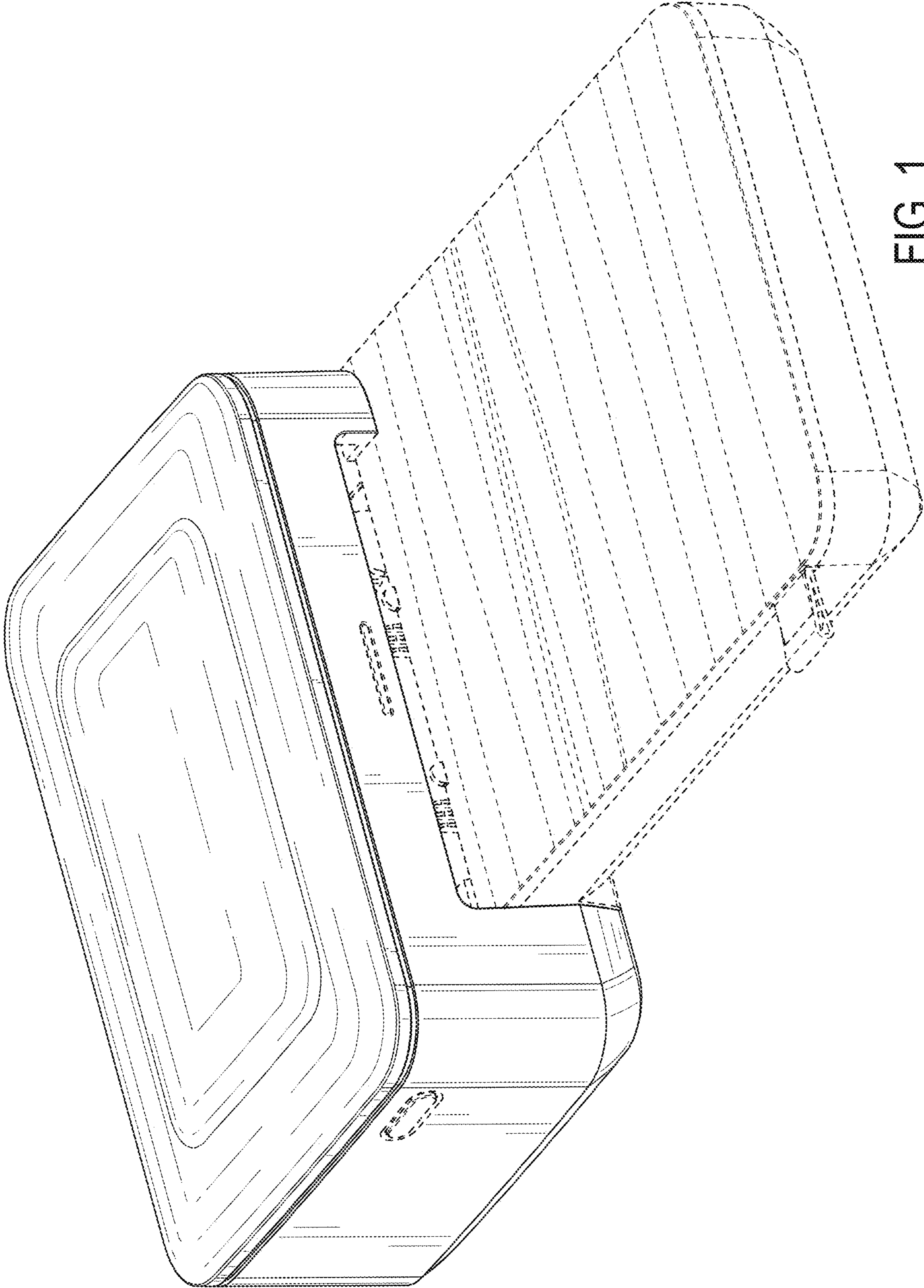


FIG. 1

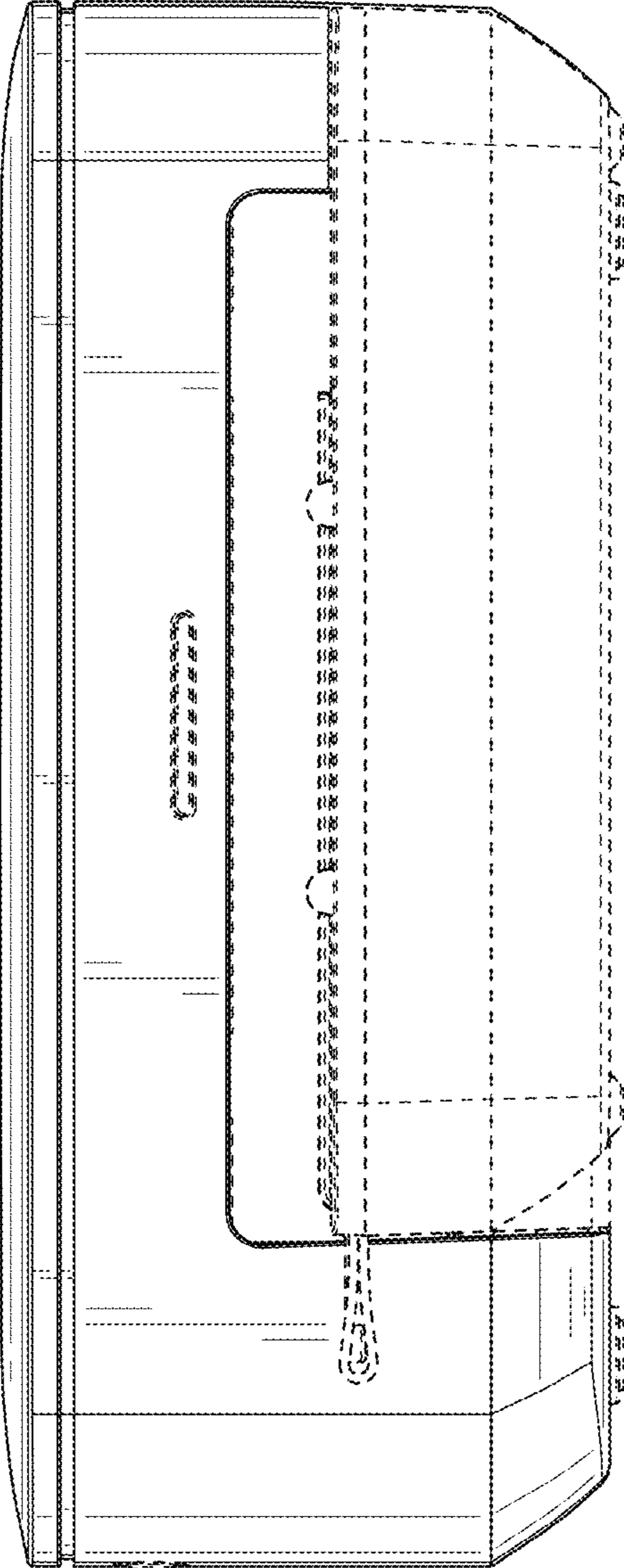


FIG. 2

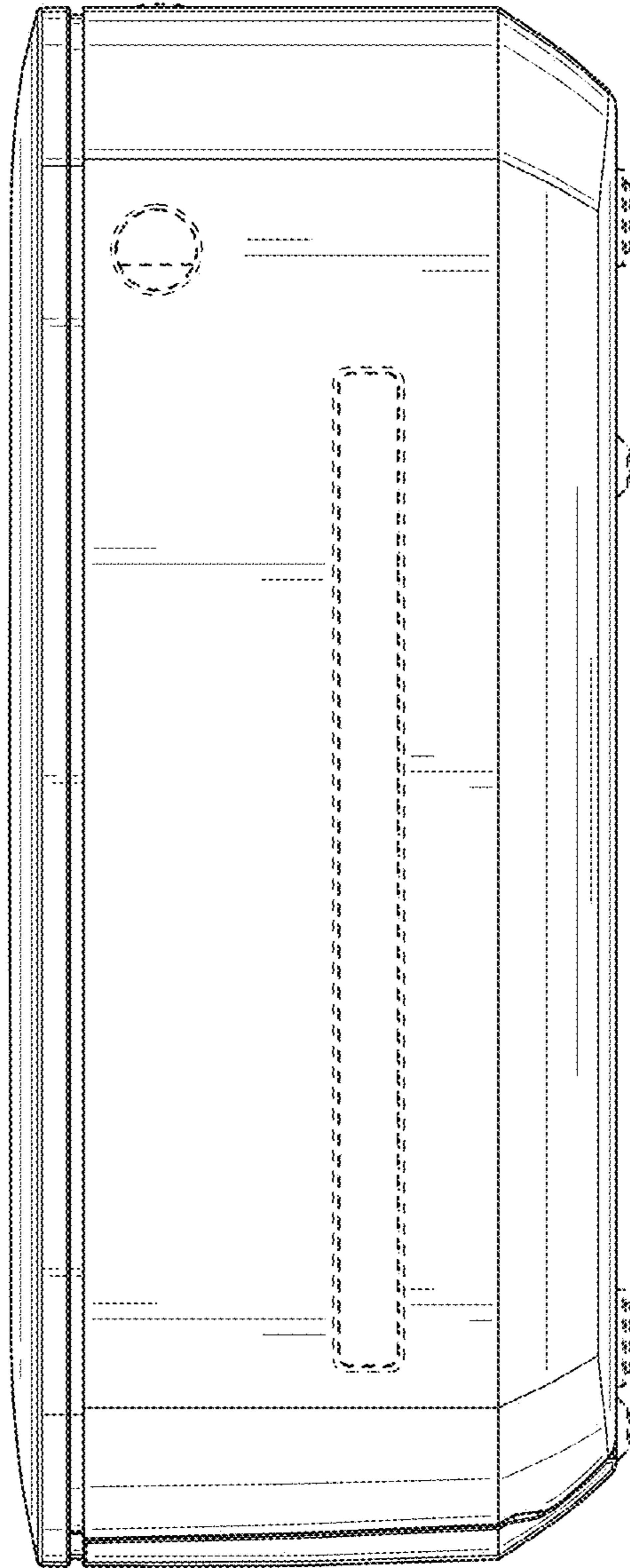


FIG. 3

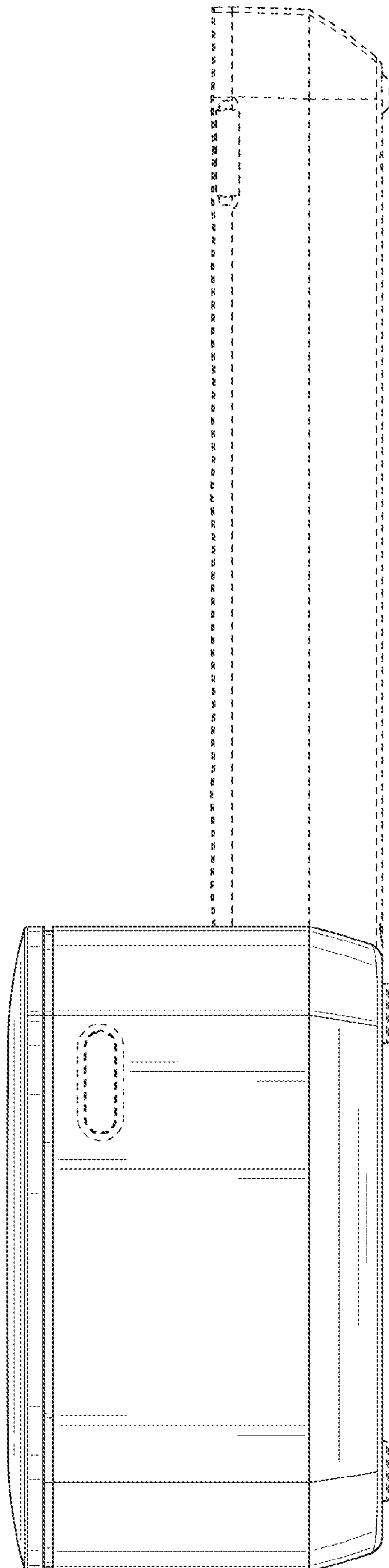


FIG. 4

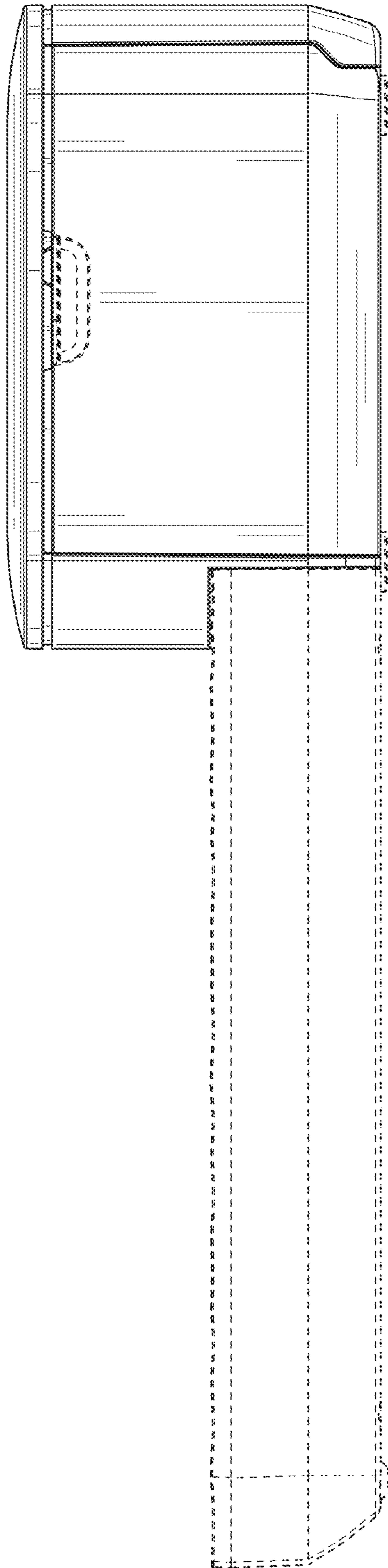


FIG. 5

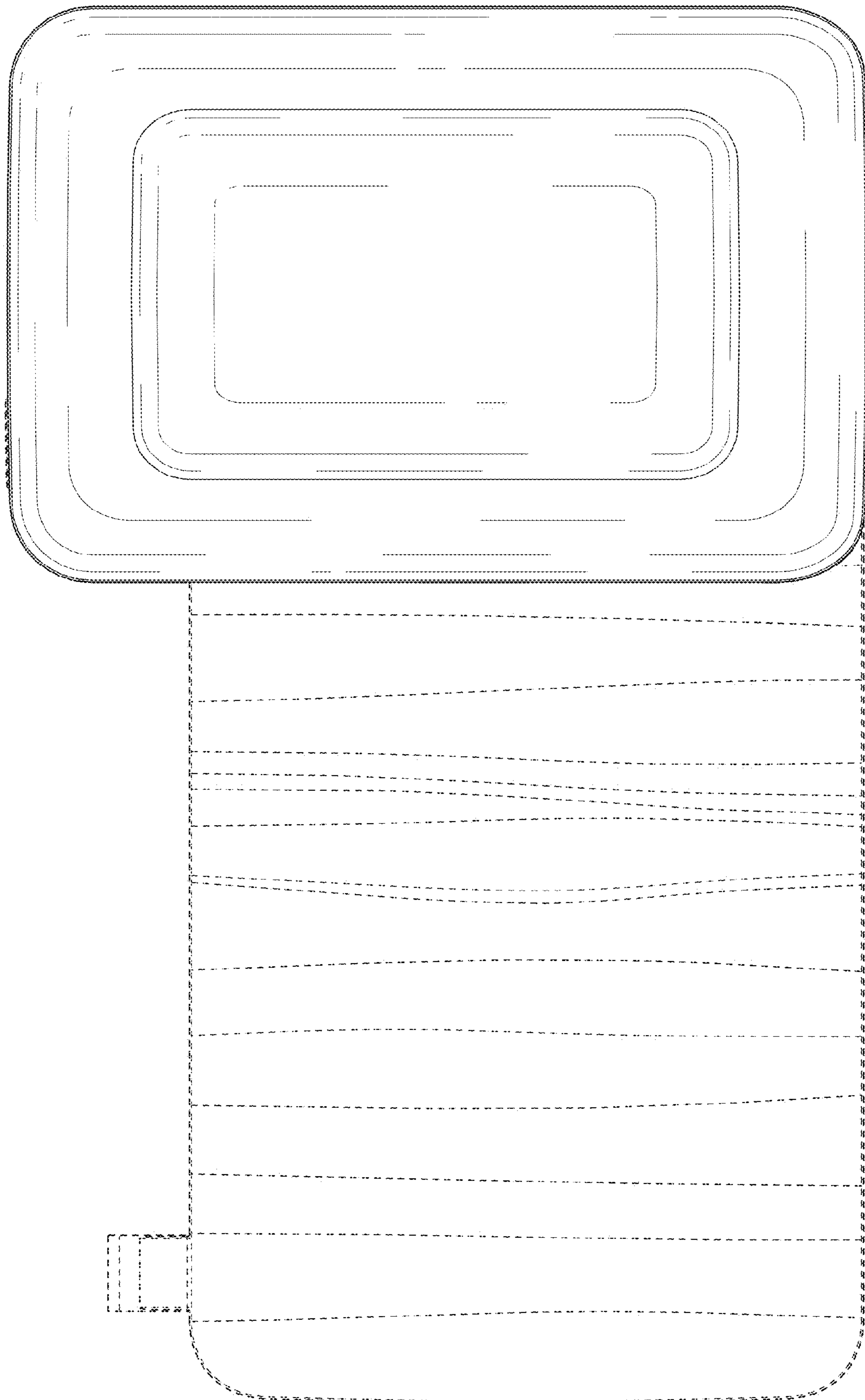


FIG. 6

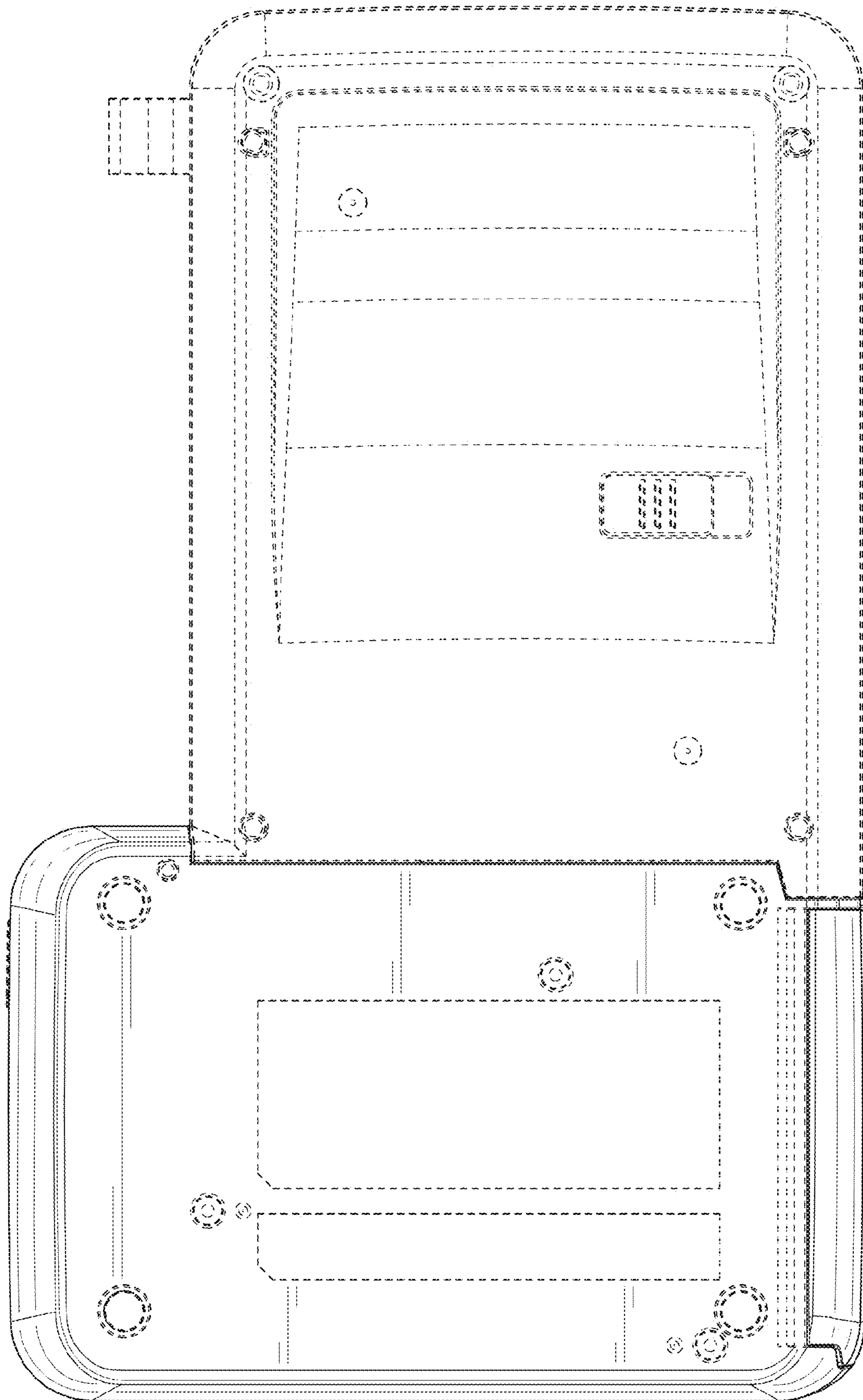


FIG. 7