



(12) **United States Design Patent** (10) **Patent No.:** **US D893,598 S**
Moon et al. (45) **Date of Patent:** **** Aug. 18, 2020**

(54) **TONER RELOAD KIT**

- (71) Applicant: **Hewlett-Packard Development Company, L.P.**, Spring, TX (US)
- (72) Inventors: **Ji-Won Moon**, Suwon-si (KR);
Woong-Yong Choi, Suwon-si (KR);
Jinhwa Hong, Suwon-si (KR);
Min-Chul Lee, Suwon-si (KR);
Kenneth K. Smith, Boise, ID (US);
Andrew Chick, Vancouver, WA (US);
Pratik Shah, San Diego, CA (US);
Matthew Storey, Austin, TX (US);
Matthew Grossman, Austin, TX (US);
Muriel Hale Shields, Austin, TX (US)

- (73) Assignee: **HEWLETT-PACKARD DEVELOPMENT COMPANY, L.P.**, Spring, TX (US)

(**) Term: **15 Years**

(21) Appl. No.: **29/683,393**

(22) Filed: **Mar. 13, 2019**

(51) **LOC (12) Cl.** **16-03**

(52) **U.S. Cl.**
 USPC **D18/43**

(58) **Field of Classification Search**
 USPC D18/40–45, 56
 (Continued)

(56) **References Cited**

U.S. PATENT DOCUMENTS

- D398,634 S * 9/1998 Katayama et al. D18/43
 D399,870 S * 10/1998 Okada D18/43
 (Continued)

FOREIGN PATENT DOCUMENTS

- EP 0360198 A2 * 3/1990 G03G 15/0868
 EP 1041454 A1 * 10/2000 G03G 15/0855
 (Continued)

OTHER PUBLICATIONS

The Spark Gallery. Link: <https://galleries.sparkawards.com/index.cfm?year=2019&entry=45C50D33-3A80-8D9A-421D5EFA3900523E>. visited May 4, 2020. HP Neverstop Laser TRK Winner—Platinum. (Year: 2020).*

Primary Examiner — Lauren D McVey
 (74) *Attorney, Agent, or Firm* — Staas & Halsey LLP

(57) **CLAIM**

We claim the ornamental design for a toner reload kit, as shown and described.

DESCRIPTION

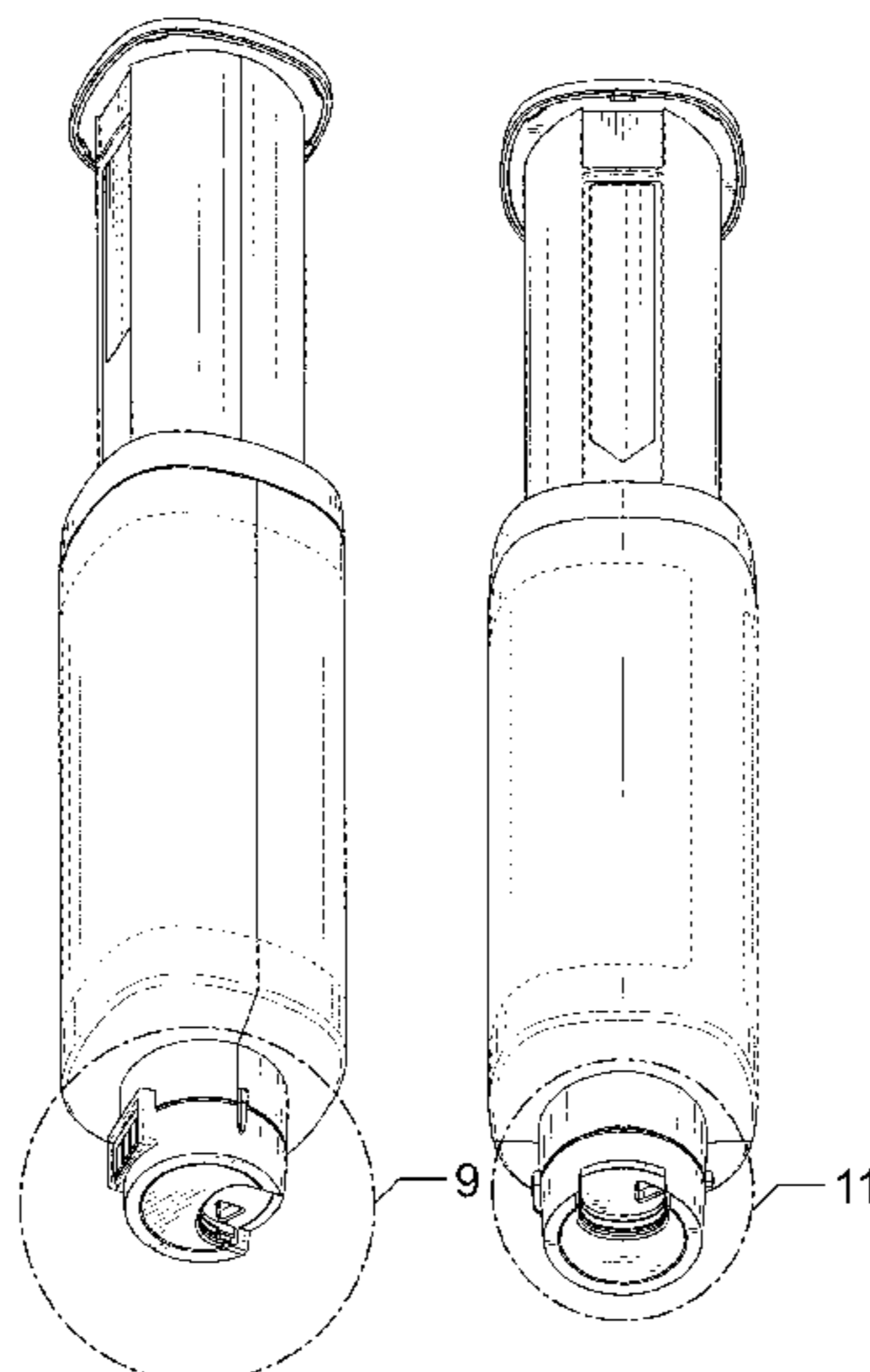
FIG. 1 is a front perspective view of a toner reload kit showing our new design;
 FIG. 2 is a front view thereof;
 FIG. 3 is a rear view thereof;
 FIG. 4 is a left-side view thereof;
 FIG. 5 is a right-side view thereof;
 FIG. 6 is a top view thereof;
 FIG. 7 is a bottom view thereof;
 FIG. 8 is a bottom perspective view thereof;
 FIG. 9 is an enlarged view of the encircled portion in FIG. 8;
 FIG. 10 is another bottom perspective view thereof; and,
 FIG. 11 is an enlarged view of the encircled portion in FIG. 10.

The evenly spaced broken lines immediately adjacent to the shaded areas and which define unshaded regions depict the bounds of the claimed design, while all other evenly spaced broken lines are directed to environment. The broken lines form no part of the claimed design.

The dot-dash broken lines encircling portions of the claimed design that are illustrated in enlargements form no part of the claimed design.

The “hp” lettering and icon forming part of the disclosure is a registered trademark of HP HEWLETT PACKARD GROUP LLC.

1 Claim, 8 Drawing Sheets



(58) **Field of Classification Search**

CPC G03G 15/0894; G03G 15/0898; G03G
21/1661; G03G 15/0872; G03G 15/0874;
G03G 15/0868; G03G 15/087; G03G
15/0877; G03G 15/0875; G03G 15/0896;
G03G 21/18; G03G 21/1803; G03G
21/1807; G03G 21/1666; G03G 21/1671;
G03G 21/1676; G03G 21/168; G03G
21/1685; G03G 21/169; G03G 21/1695

See application file for complete search history.

(56) **References Cited**

U.S. PATENT DOCUMENTS

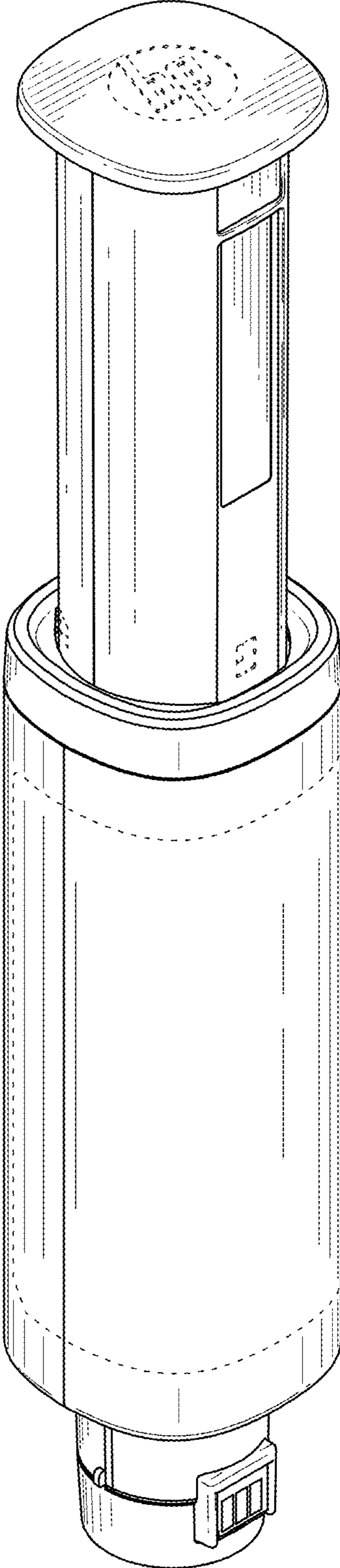
D408,845 S * 4/1999 Harumoto D18/43
D414,507 S * 9/1999 Nozawa D18/43
5,991,584 A * 11/1999 Meyer G03G 15/0886
222/DIG. 1
D478,118 S * 8/2003 Neri D18/40
D490,843 S * 6/2004 Minagawa D18/43
D529,542 S * 10/2006 Tazawa D18/43
D529,949 S * 10/2006 Murakami D18/43
D650,414 S * 12/2011 Takami D18/43
D715,355 S * 10/2014 Otsubo D18/43
D862,586 S * 10/2019 Oguma D18/43
2008/0267670 A1 * 10/2008 Li G03G 15/0872
399/262

FOREIGN PATENT DOCUMENTS

JP 07199620 A * 8/1995 G03G 15/0886
WO WO-2007095848 A1 * 8/2007 G03G 15/0886
WO WO-2016204245 A1 * 12/2016 G03G 21/16

* cited by examiner

FIG. 1



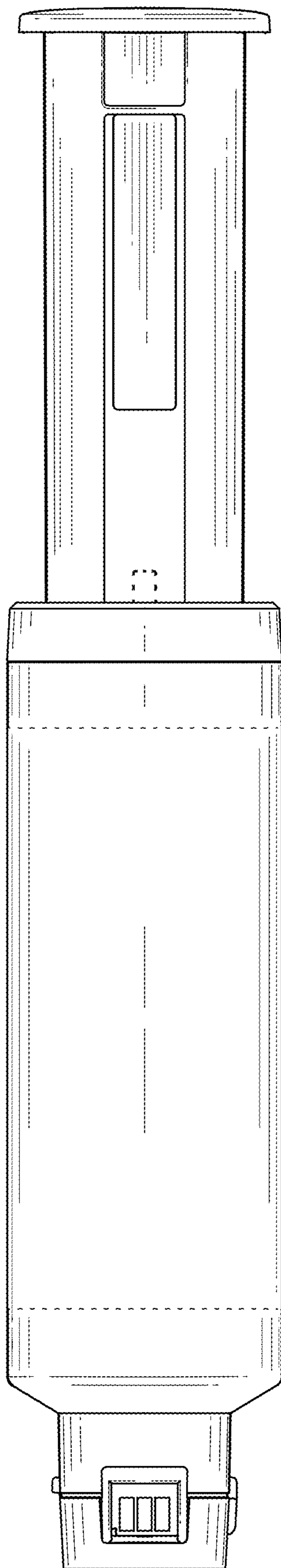


FIG. 2

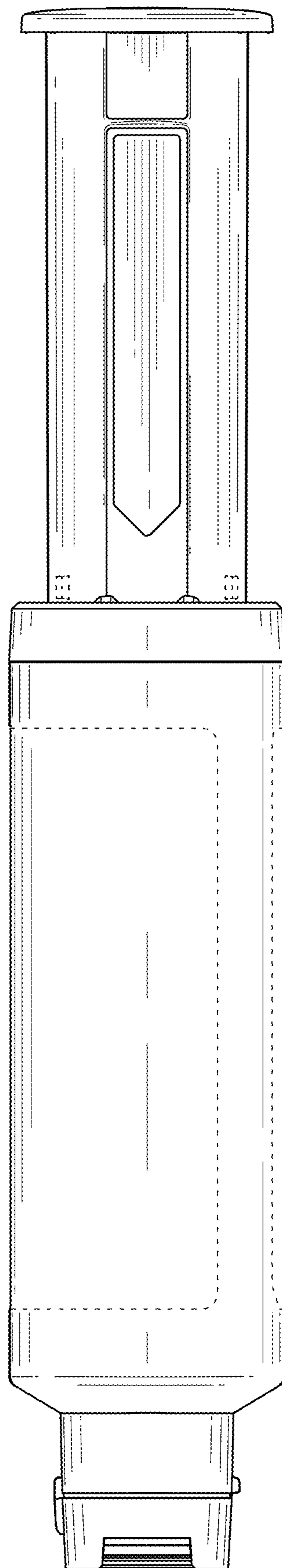


FIG. 3

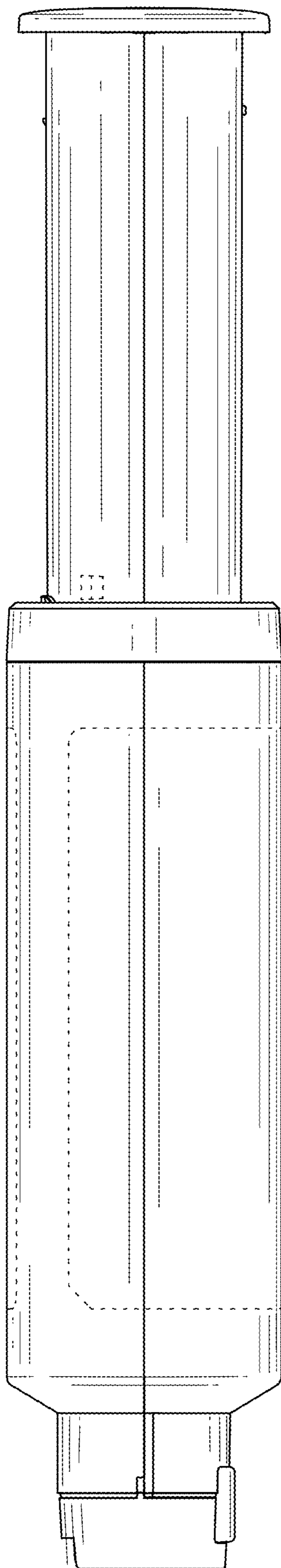


FIG. 4

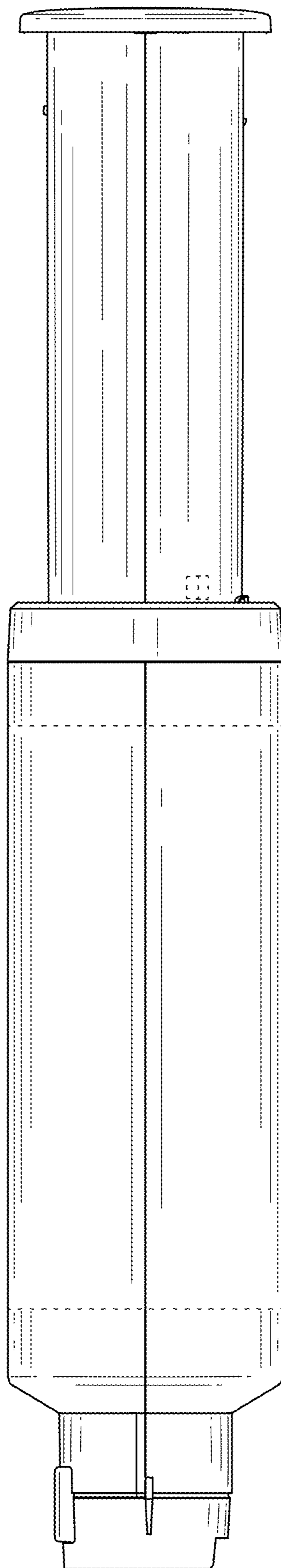


FIG. 5

FIG. 6

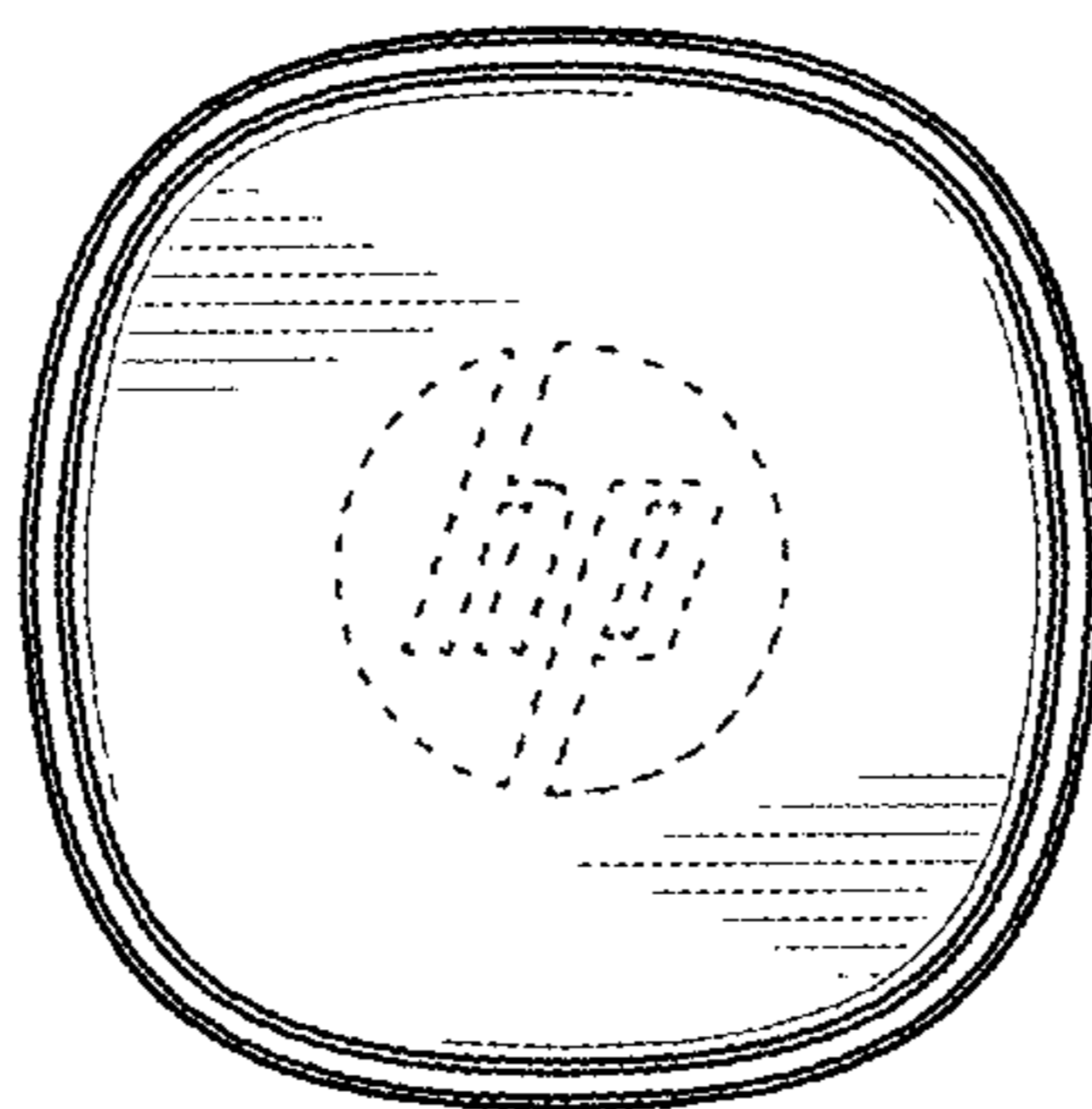


FIG. 7

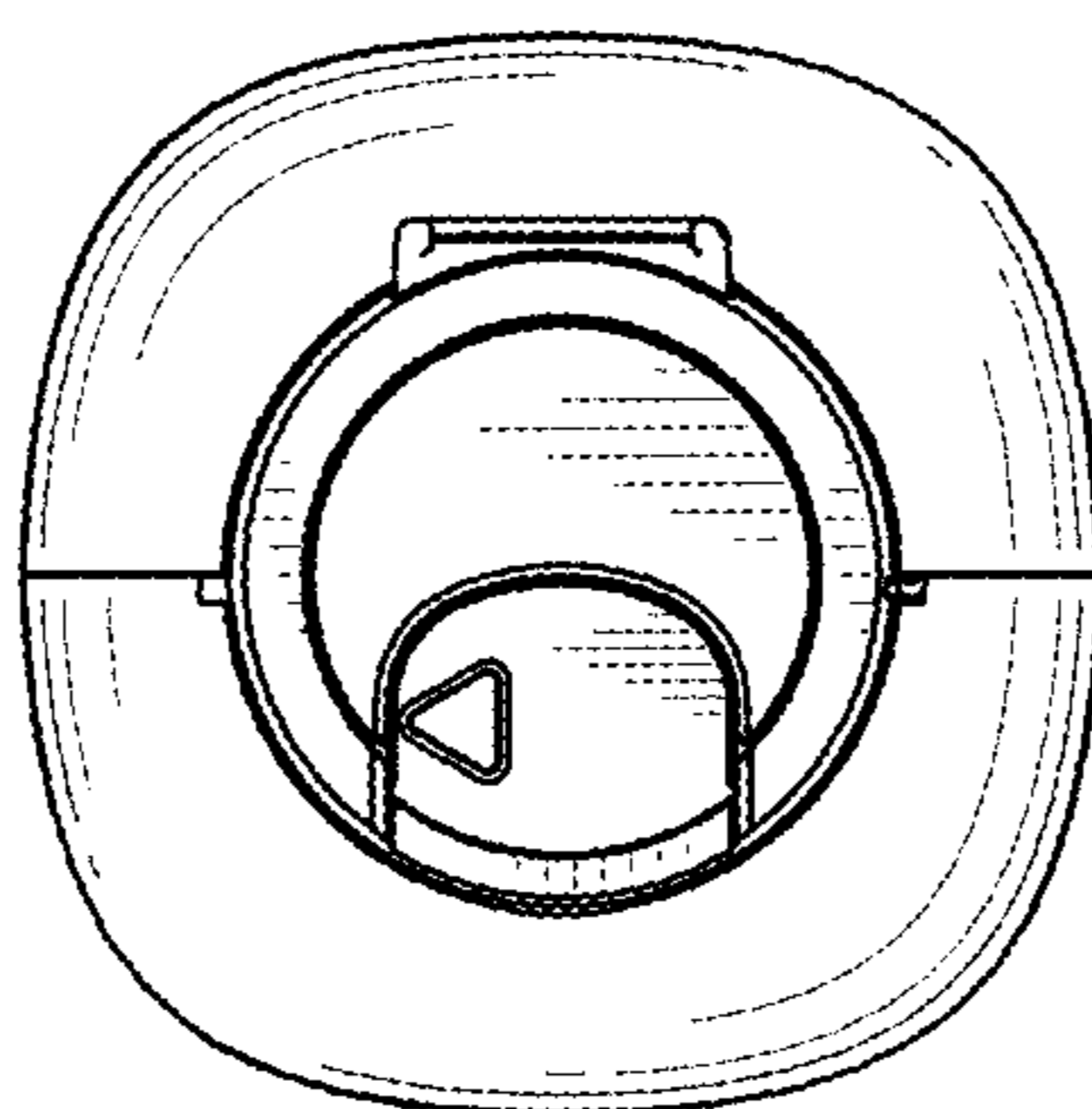


FIG. 8

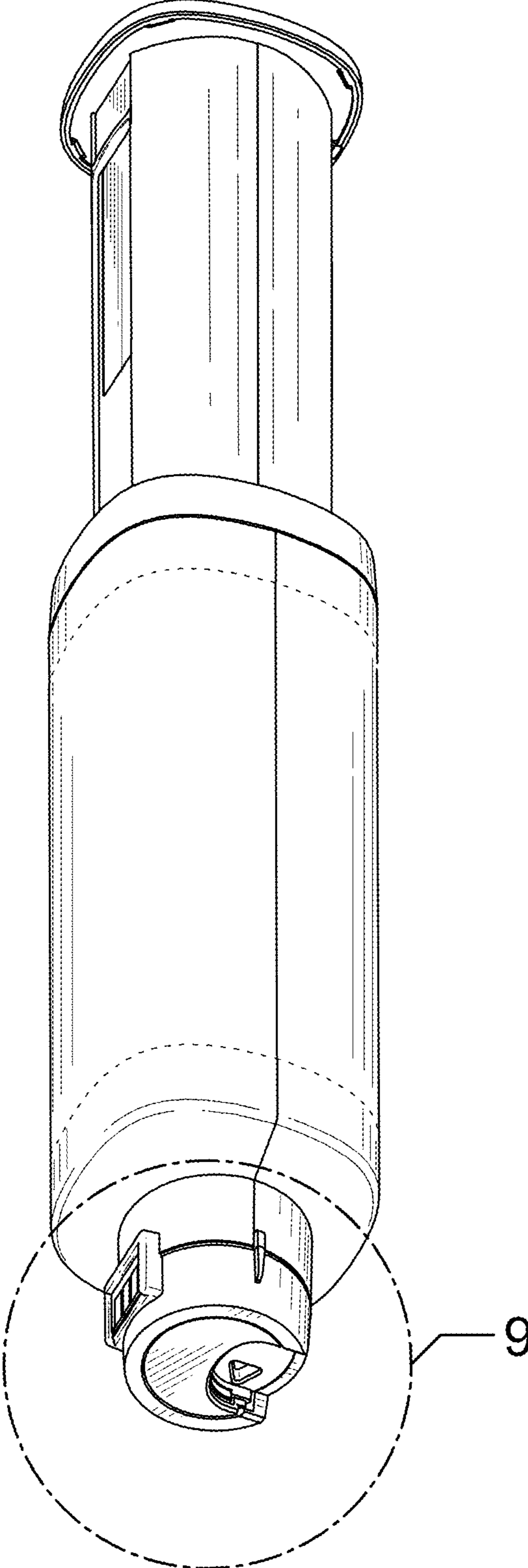


FIG. 9

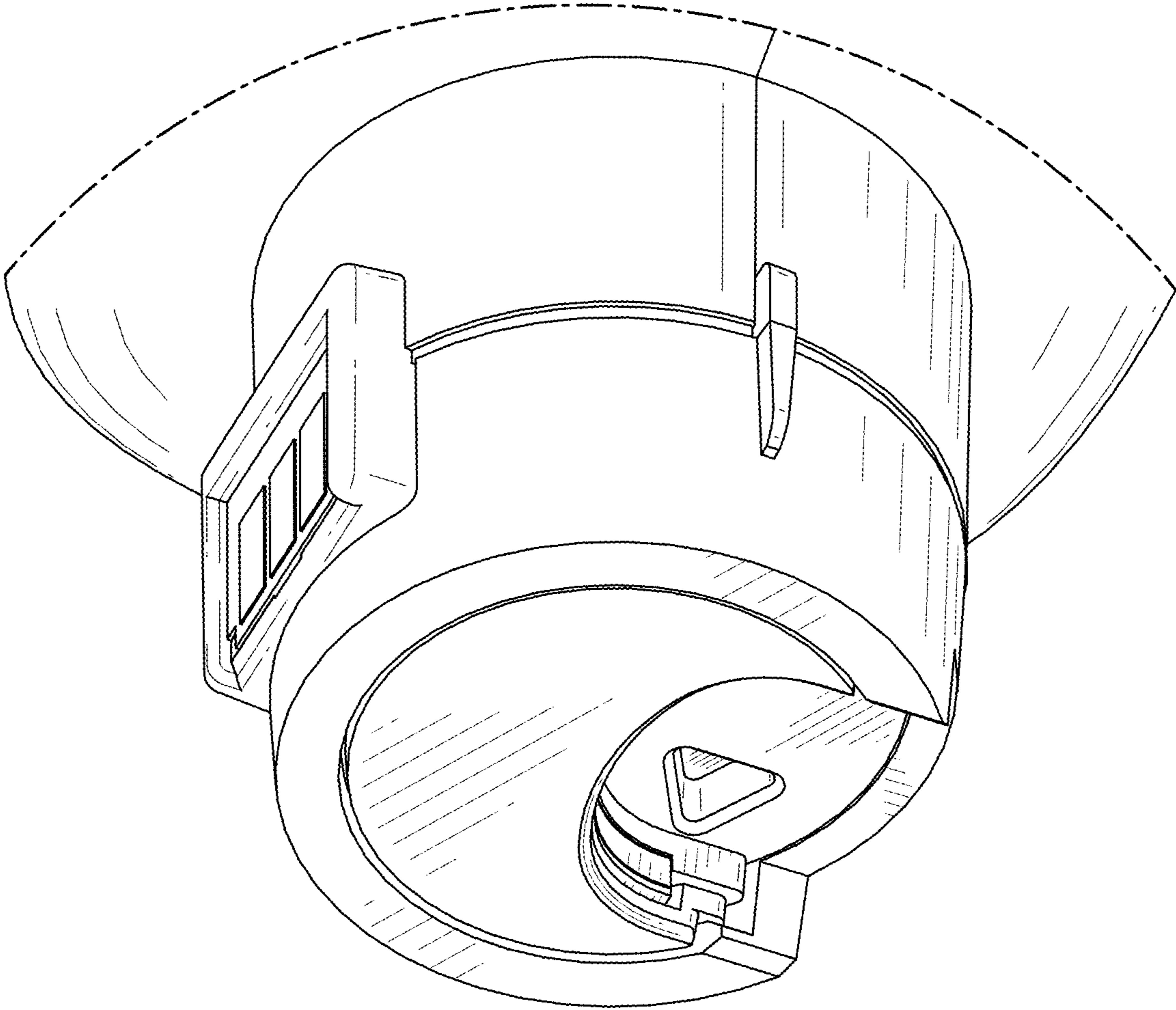


FIG. 10

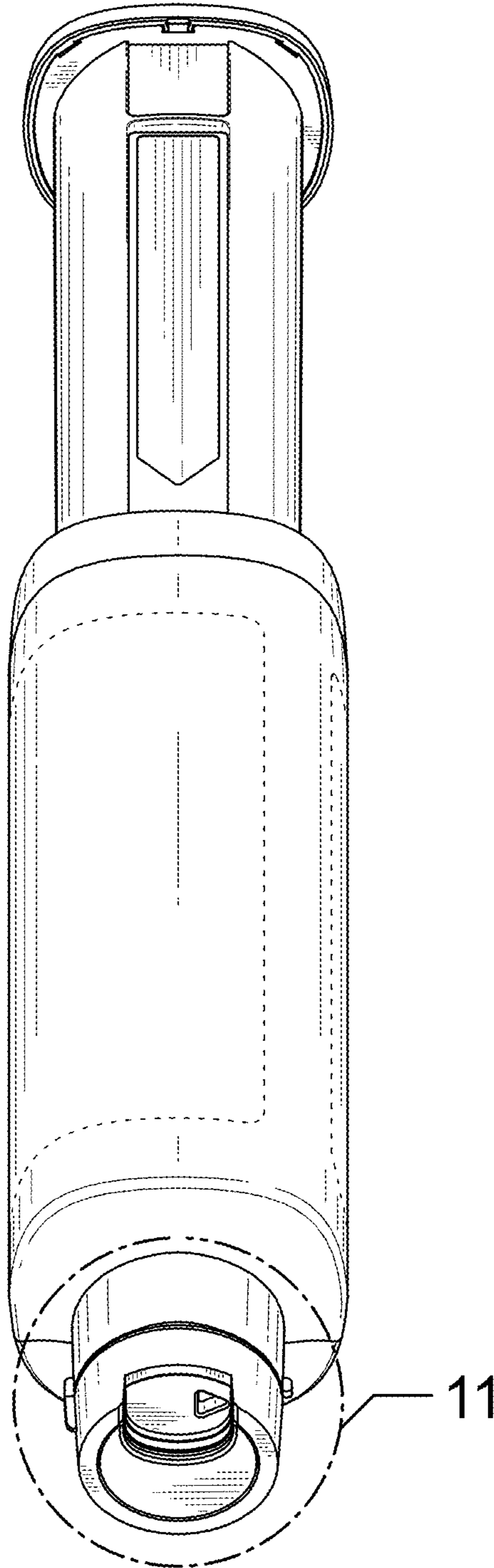


FIG. 11

